



US00D697480S

(12) **United States Design Patent**
Lyford et al.

(10) **Patent No.:** **US D697,480 S**

(45) **Date of Patent:** **** *Jan. 14, 2014**

(54) **PLUG FOR ACCESSORY-HOST INTERFACE**

(75) Inventors: **J. Steven Lyford**, Portland, OR (US);
Robert R. Kreitzer, Tigard, OR (US);
Preston S. Gabel, Beaverton, OR (US);
Kenneth P. Dobyns, Beaverton, OR (US)

(73) Assignee: **Tektronix, Inc.**, Beaverton, OR (US)

(*) Notice: This patent is subject to a terminal disclaimer.

(**) Term: **14 Years**

(21) Appl. No.: **29/417,721**

(22) Filed: **Apr. 6, 2012**

Related U.S. Application Data

(62) Division of application No. 29/382,272, filed on Dec. 30, 2010, now Pat. No. Des. 668,225.

(51) **LOC (10) Cl.** **13-03**

(52) **U.S. Cl.**
USPC **D13/133**

(58) **Field of Classification Search**
USPC D13/133, 134, 135, 147, 154, 184, 199;
D14/217, 356, 358, 369, 383, 385, 432,
D14/433, 439, 440, 447, 454; D10/76, 78,
D10/80; 439/180, 246, 252, 278, 374, 378,
439/379, 380, 381, 527, 529, 530, 533, 892,
439/894, 630

See application file for complete search history.

(56) **References Cited**

U.S. PATENT DOCUMENTS

D370,889 S 6/1996 Anthony
D460,371 S 7/2002 Wisley et al.

(Continued)

Primary Examiner — Daniel Bui

(74) *Attorney, Agent, or Firm* — William K. Bucher; Marger, Johnson & McCollom, P.C.

(57) **CLAIM**

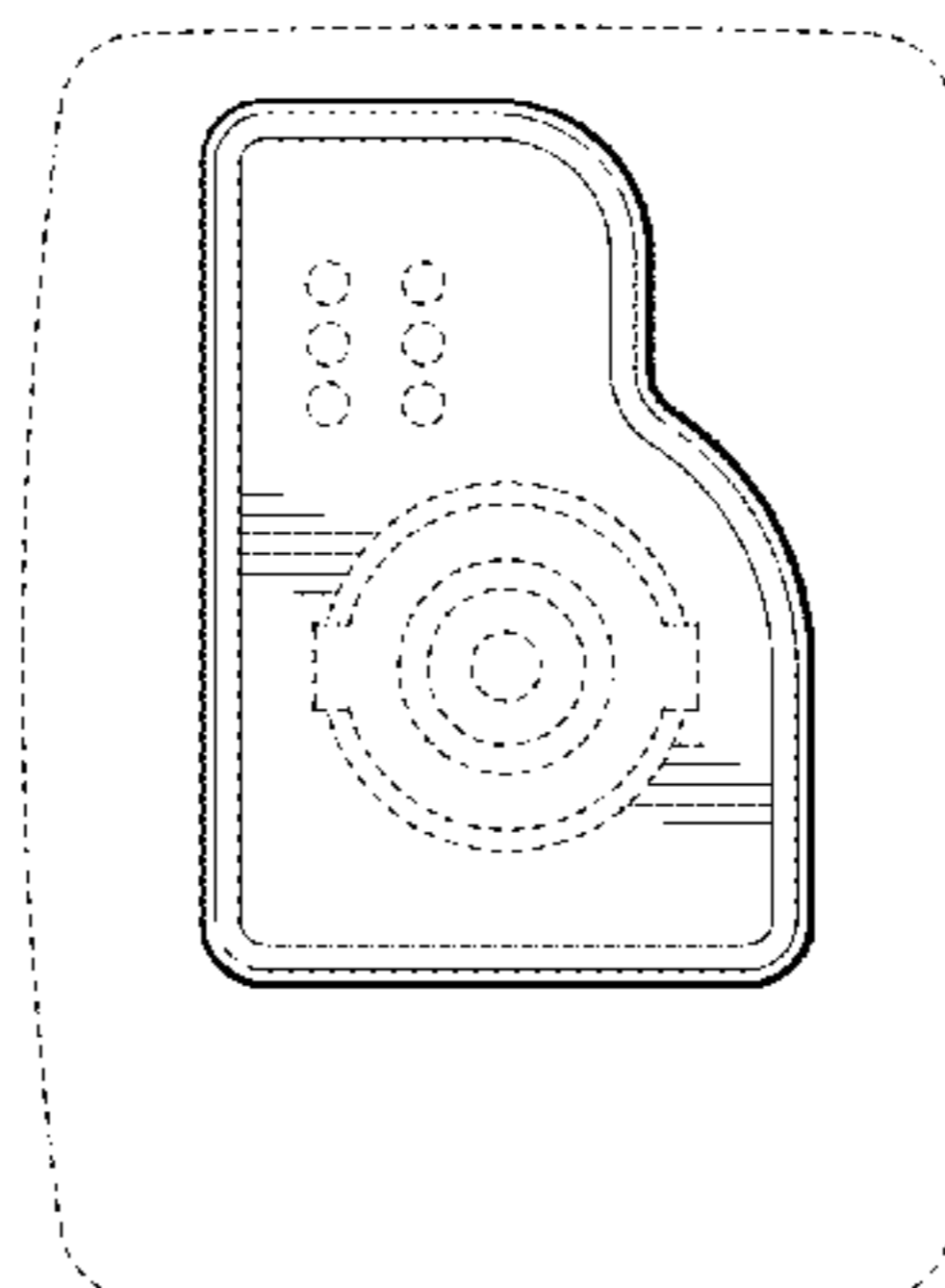
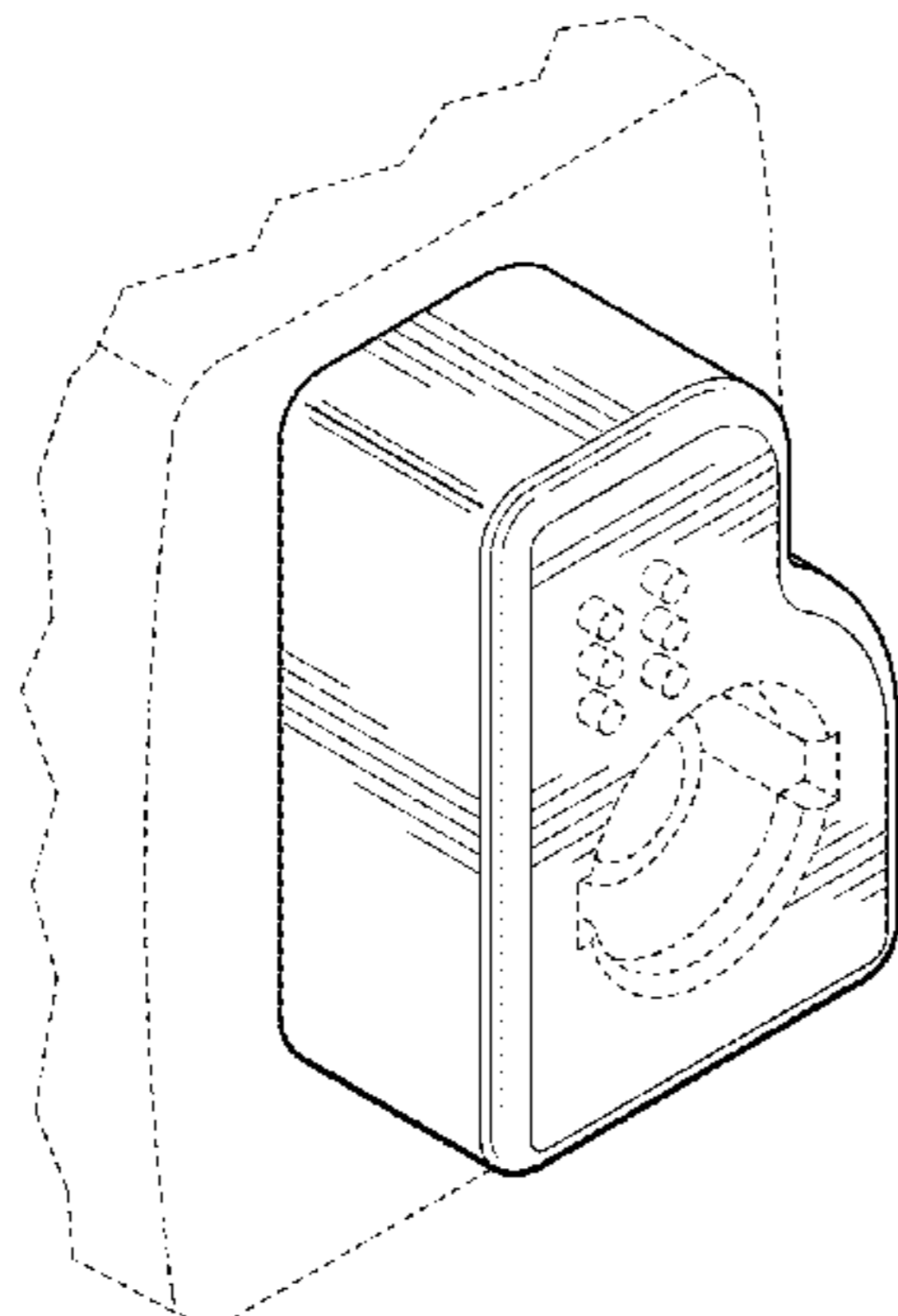
The ornamental design for a plug for accessory-host interface, as shown and described.

DESCRIPTION

FIG. 1 is a front perspective view of a first embodiment of a plug for accessory-host interface showing our new design; FIG. 2 is a front elevation view thereof; FIG. 3 is a left side elevation view thereof; FIG. 4 is a right side elevation view thereof; FIG. 5 is a top plan view thereof; FIG. 6 is a bottom plan view thereof; FIG. 7 is a front perspective view of a second embodiment of a plug for accessory-host interface showing our new design; FIG. 8 is a front elevation view thereof; FIG. 9 is a left side elevation view thereof; FIG. 10 is a right side elevation view thereof; FIG. 11 is a top plan view thereof; FIG. 12 is a bottom plan view thereof; FIG. 13 is a front perspective view of a third embodiment of a plug for accessory-host interface showing our new design; FIG. 14 is a front elevation view thereof; FIG. 15 is a left side elevation view thereof; FIG. 16 is a right side elevation view thereof; FIG. 17 is a top plan view thereof; FIG. 18 is a bottom plan view thereof; FIG. 19 is a front perspective view of a fourth embodiment of a plug for accessory-host interface showing our new design; FIG. 20 is a front elevation view thereof; FIG. 21 is a left side elevation view thereof; FIG. 22 is a right side elevation view thereof; FIG. 23 is a top plan view thereof; and, FIG. 24 is a bottom plan view thereof.

The broken line portion of the figure drawings is included for the purpose of illustrating environment and forms no part of the claimed design.

1 Claim, 8 Drawing Sheets



(56)

References Cited

U.S. PATENT DOCUMENTS

D514,004 S 1/2006 Wrisley
D556,066 S 11/2007 Hoang et al.
D566,046 S 4/2008 Gabel et al.
D566,047 S 4/2008 Gabel et al.
D643,841 S 8/2011 Lyford et al.

D649,970 S 12/2011 Lyford et al.
D649,971 S 12/2011 Lyford et al.
D663,271 S * 7/2012 Lyford et al. D13/133
D668,225 S * 10/2012 Lyford et al. D13/133
D673,119 S * 12/2012 Lyford et al. D13/133
D673,120 S * 12/2012 Lyford et al. D13/133
D673,121 S * 12/2012 Lyford et al. D13/133

* cited by examiner

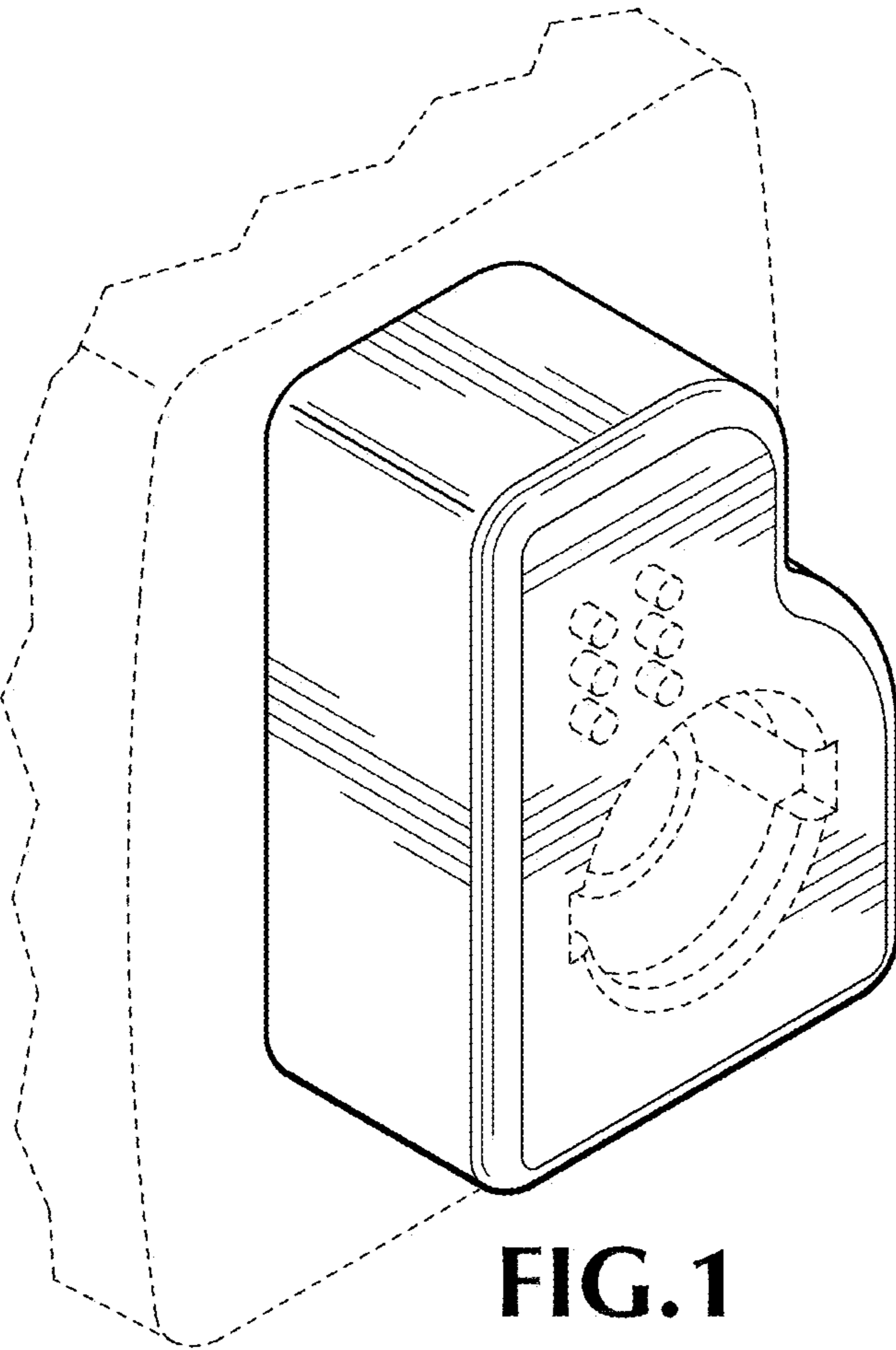


FIG. 1

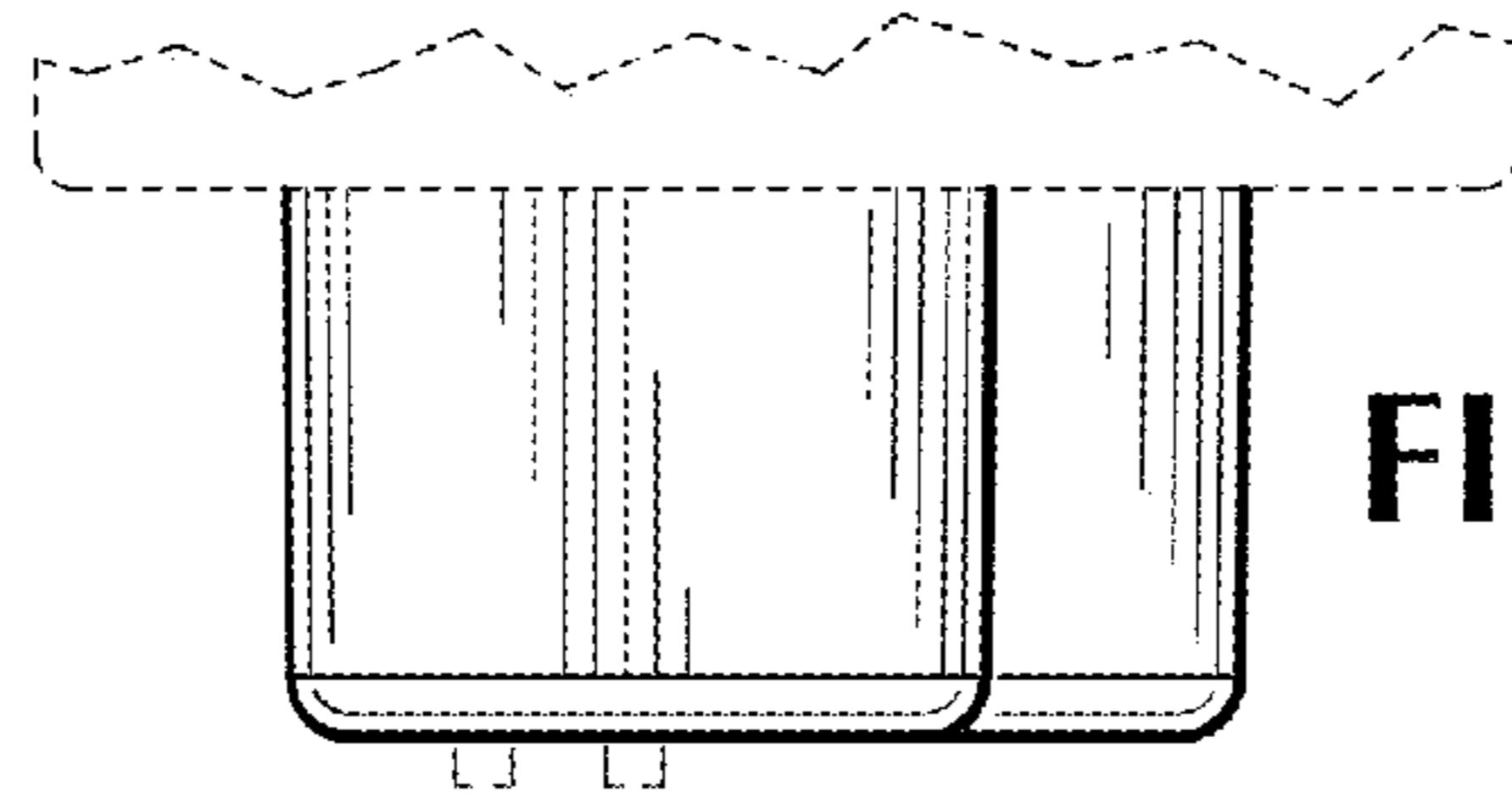


FIG. 5

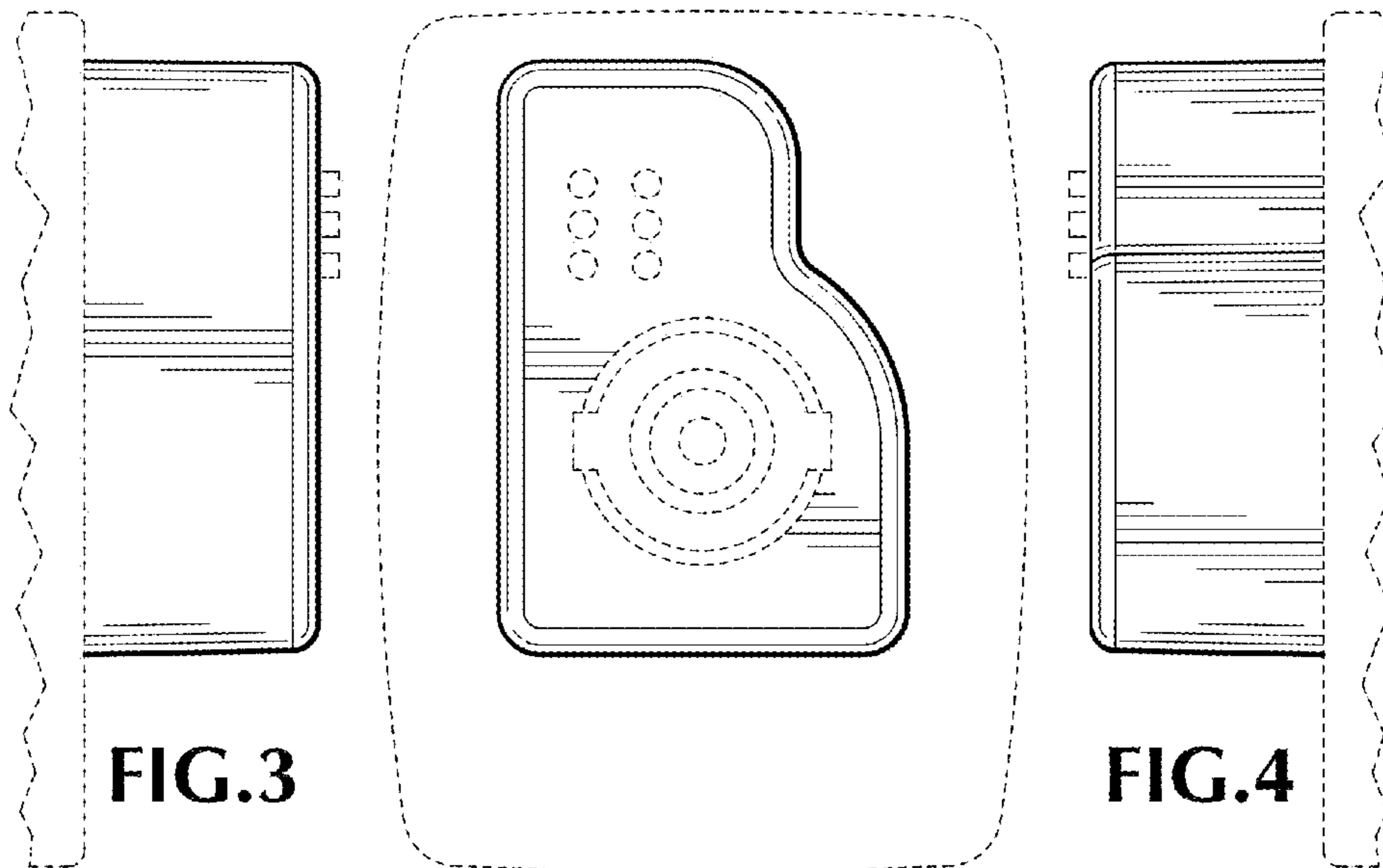


FIG. 3

FIG. 2

FIG. 4

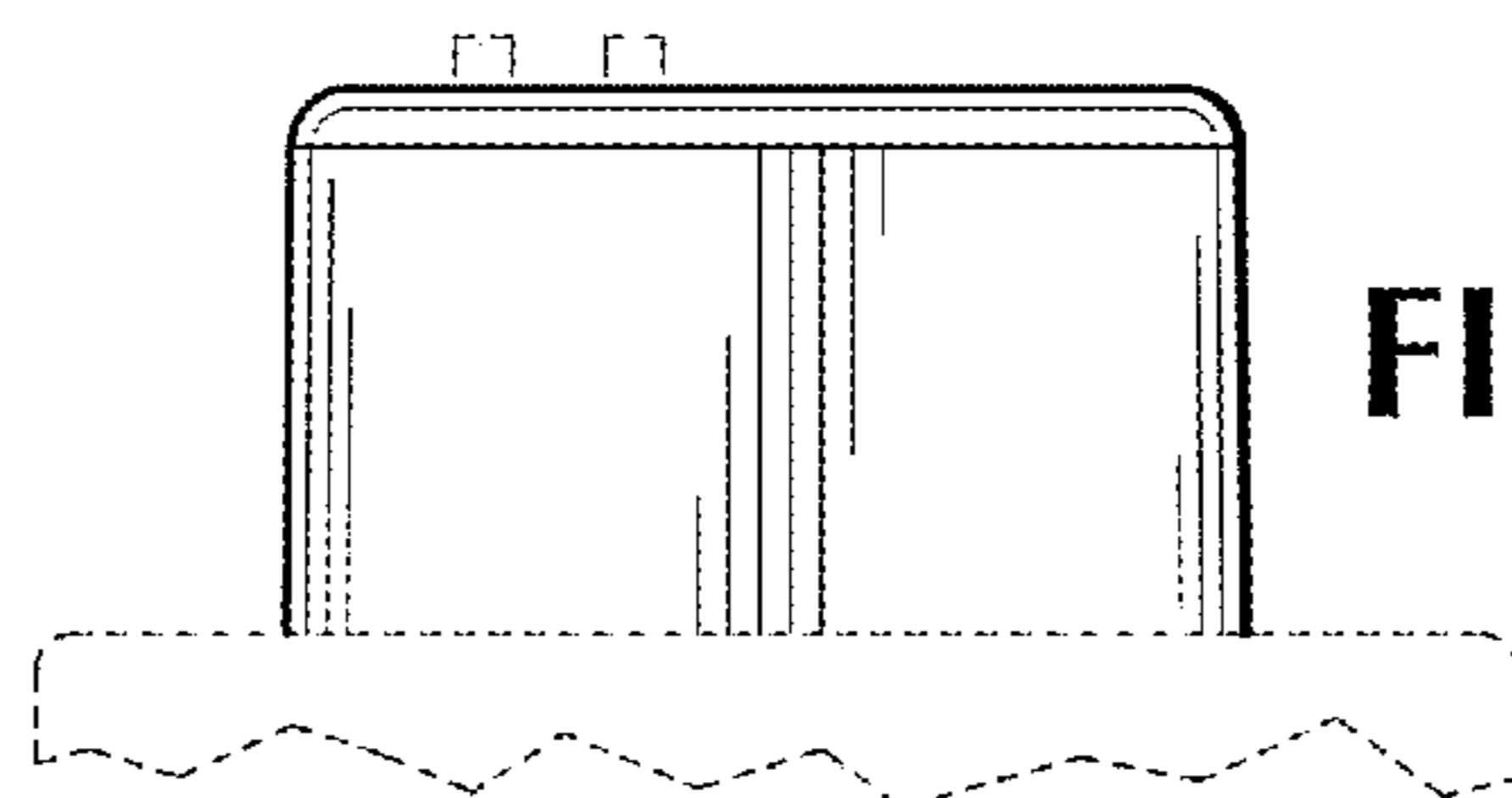


FIG. 6

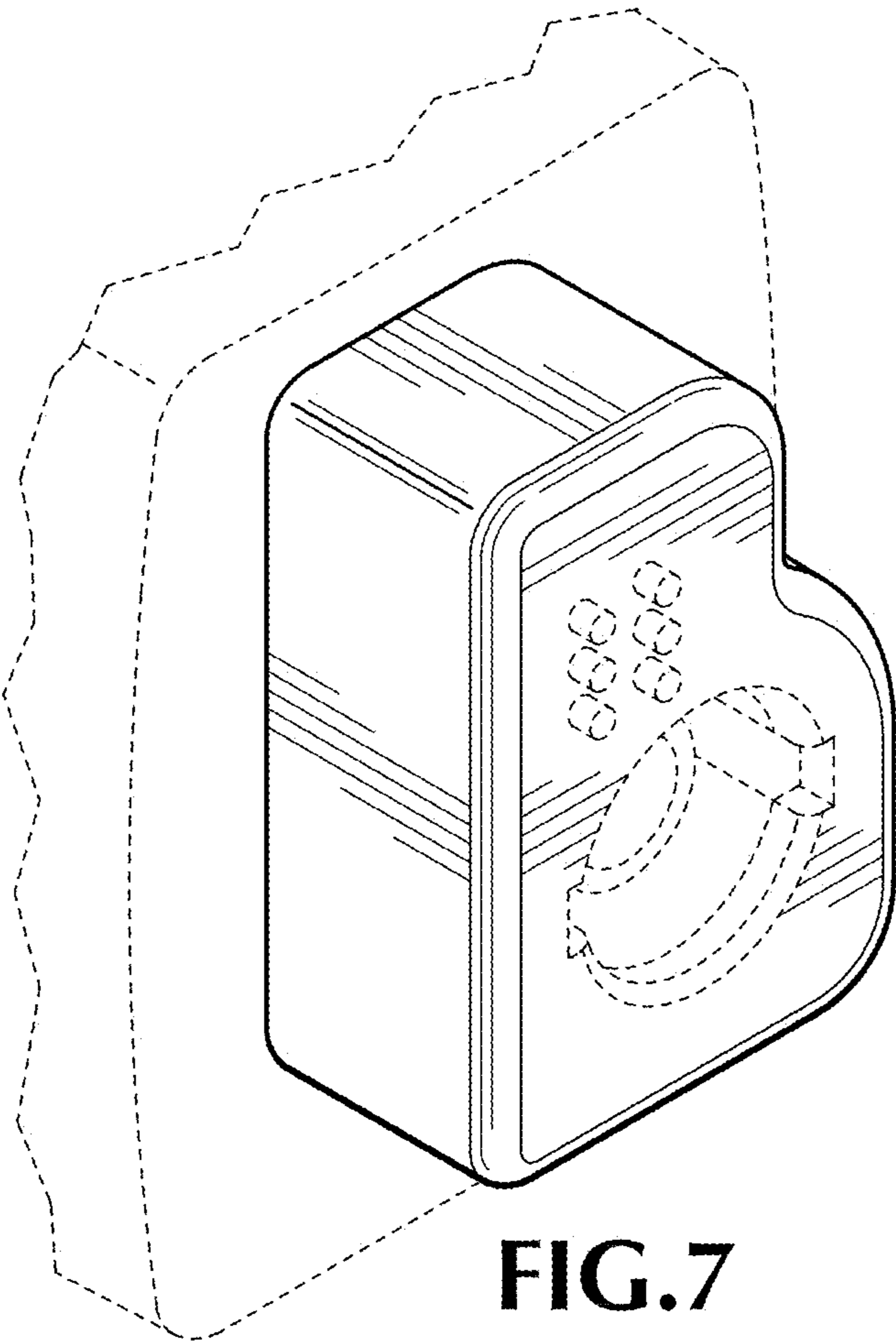


FIG. 7

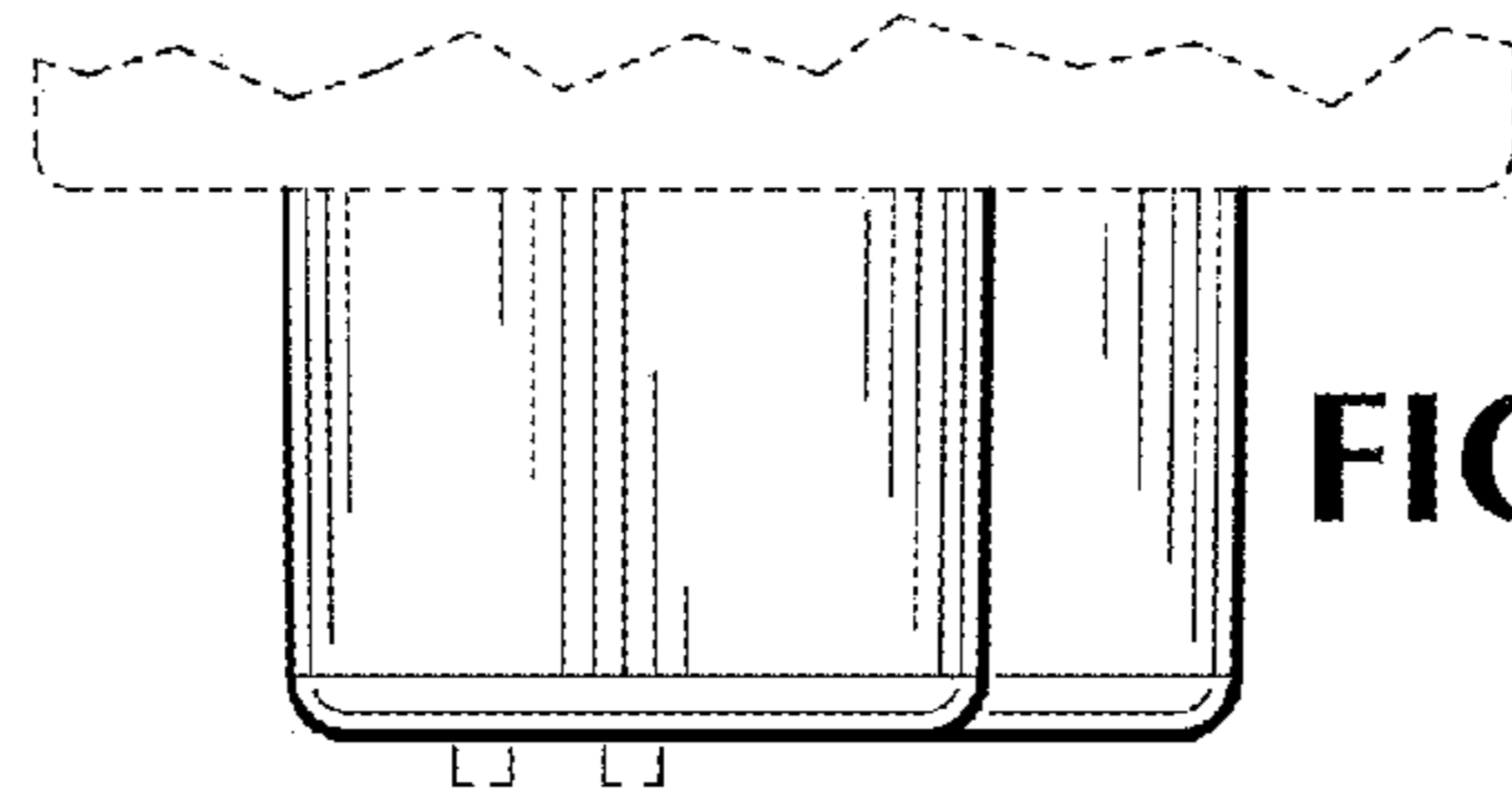


FIG. 11

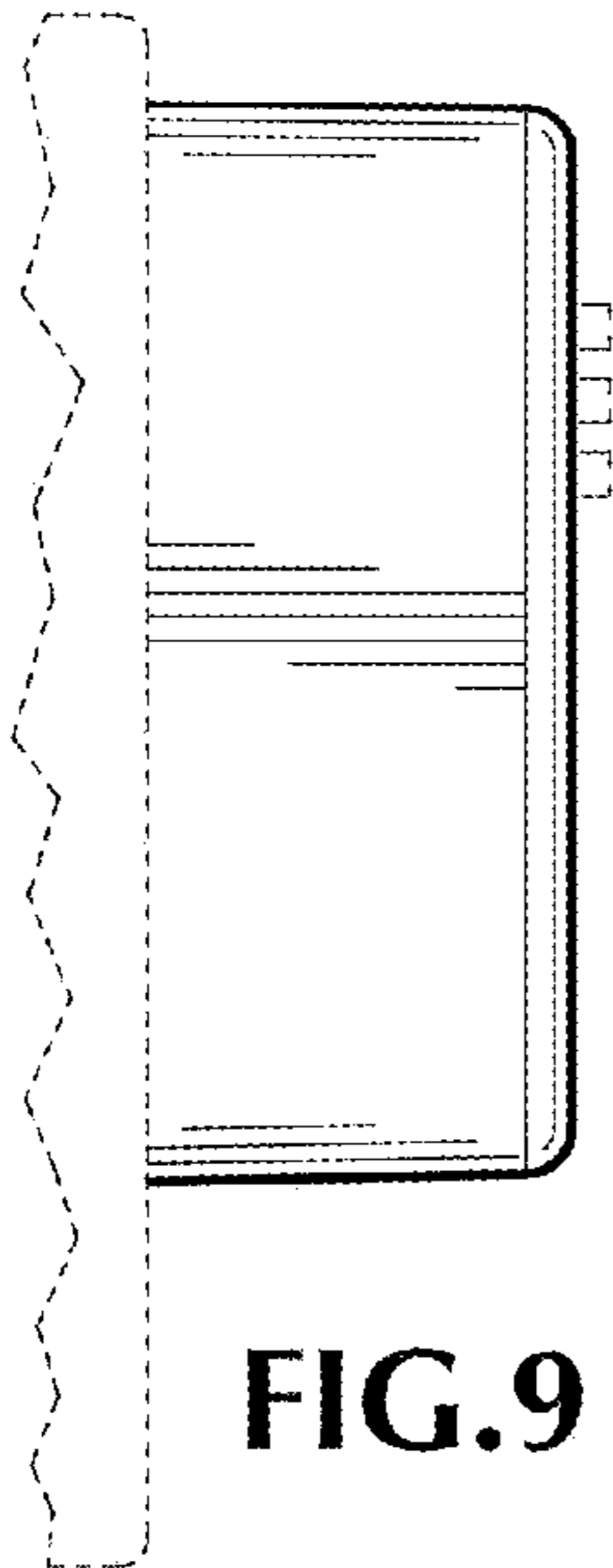


FIG. 9

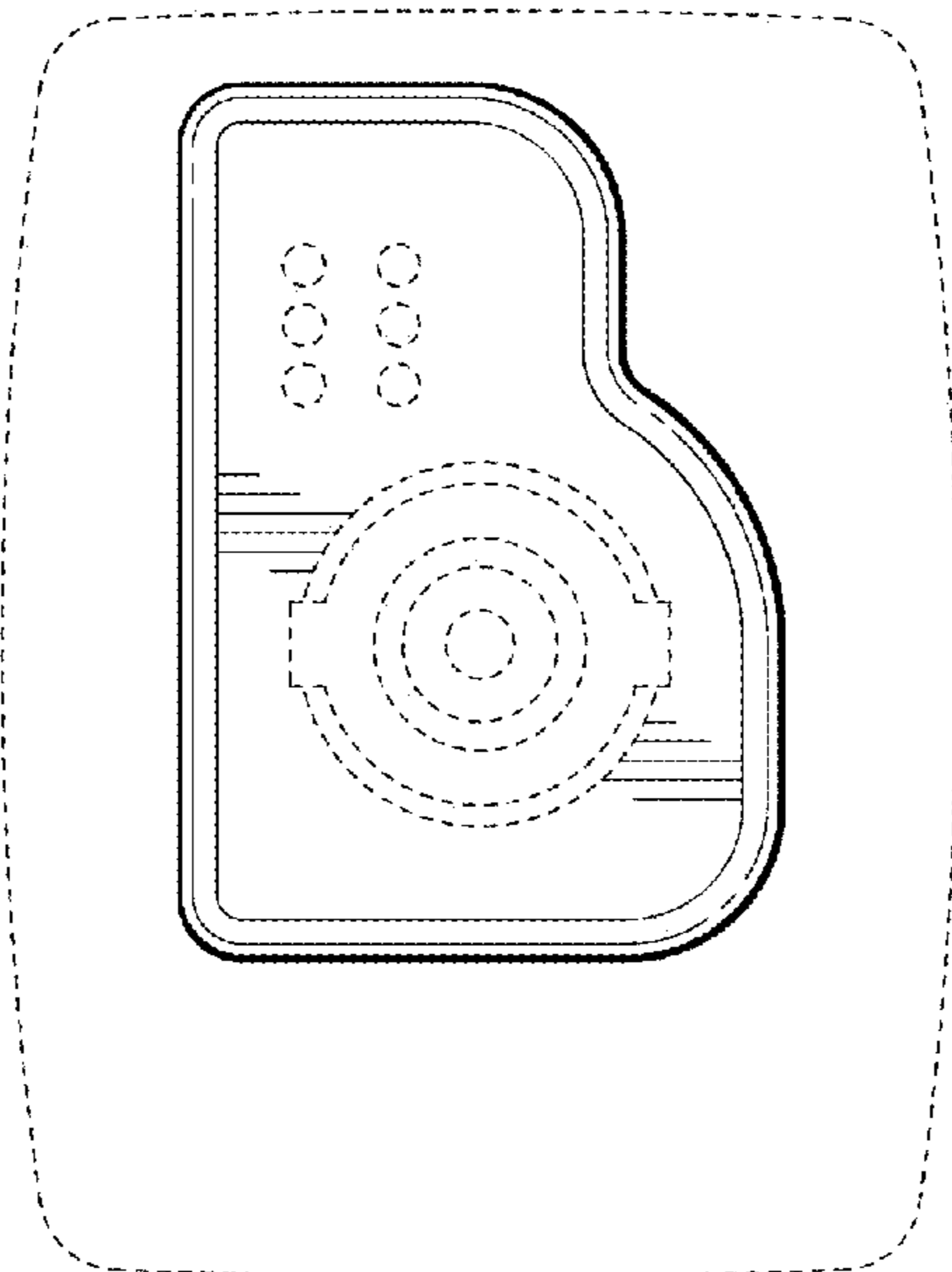


FIG. 8

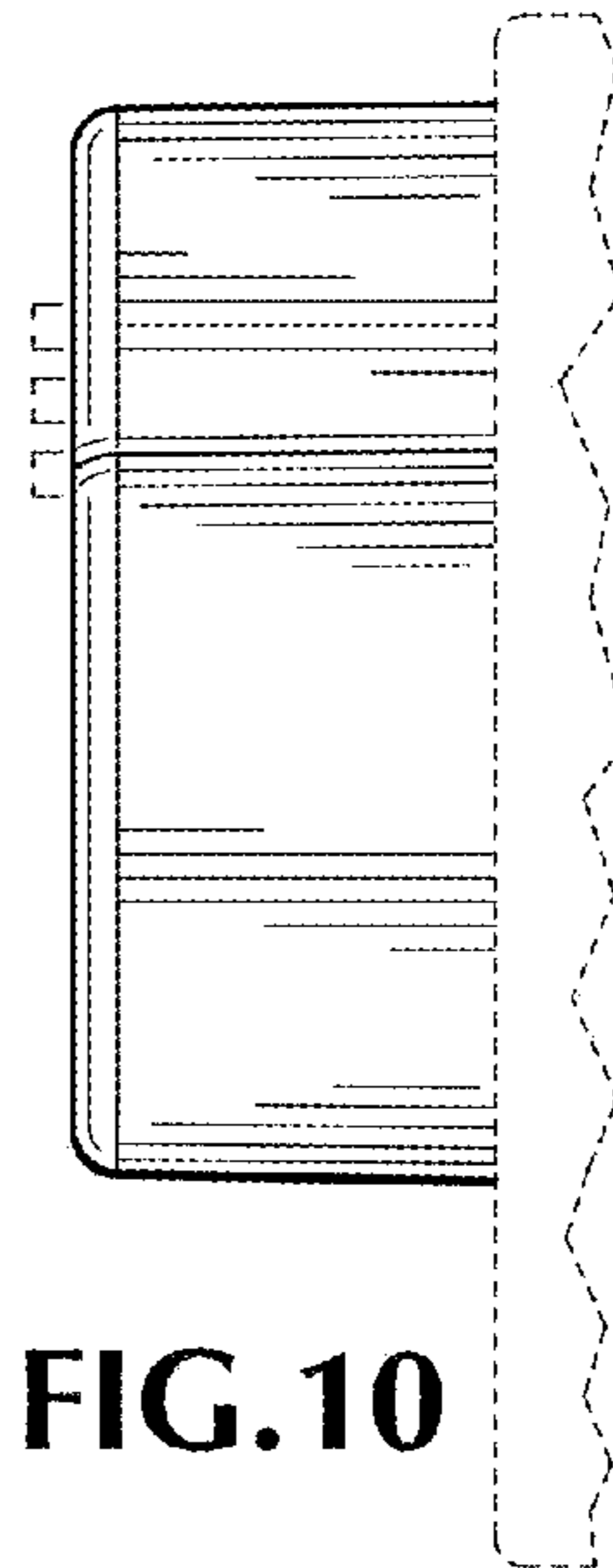


FIG. 10

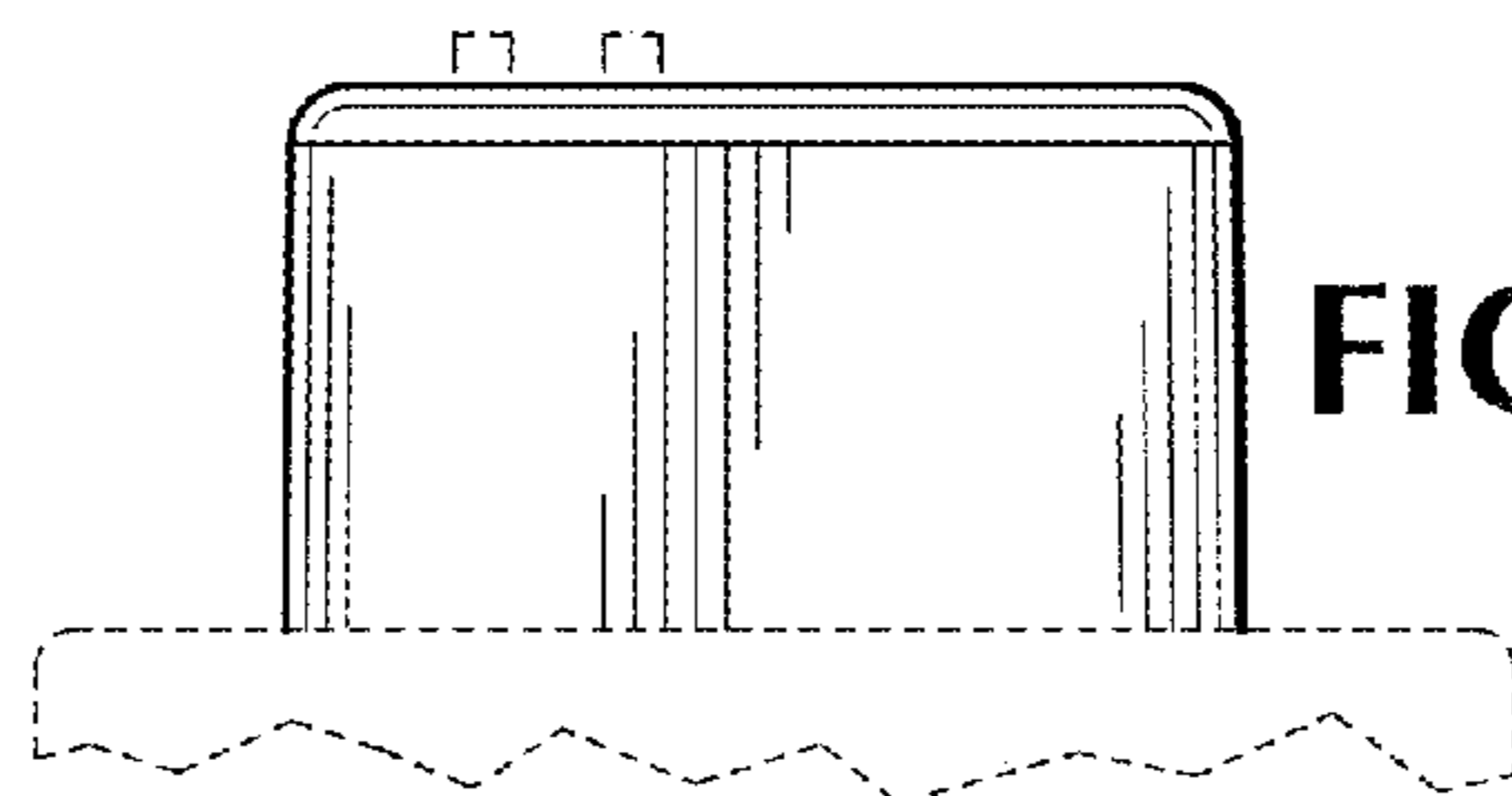
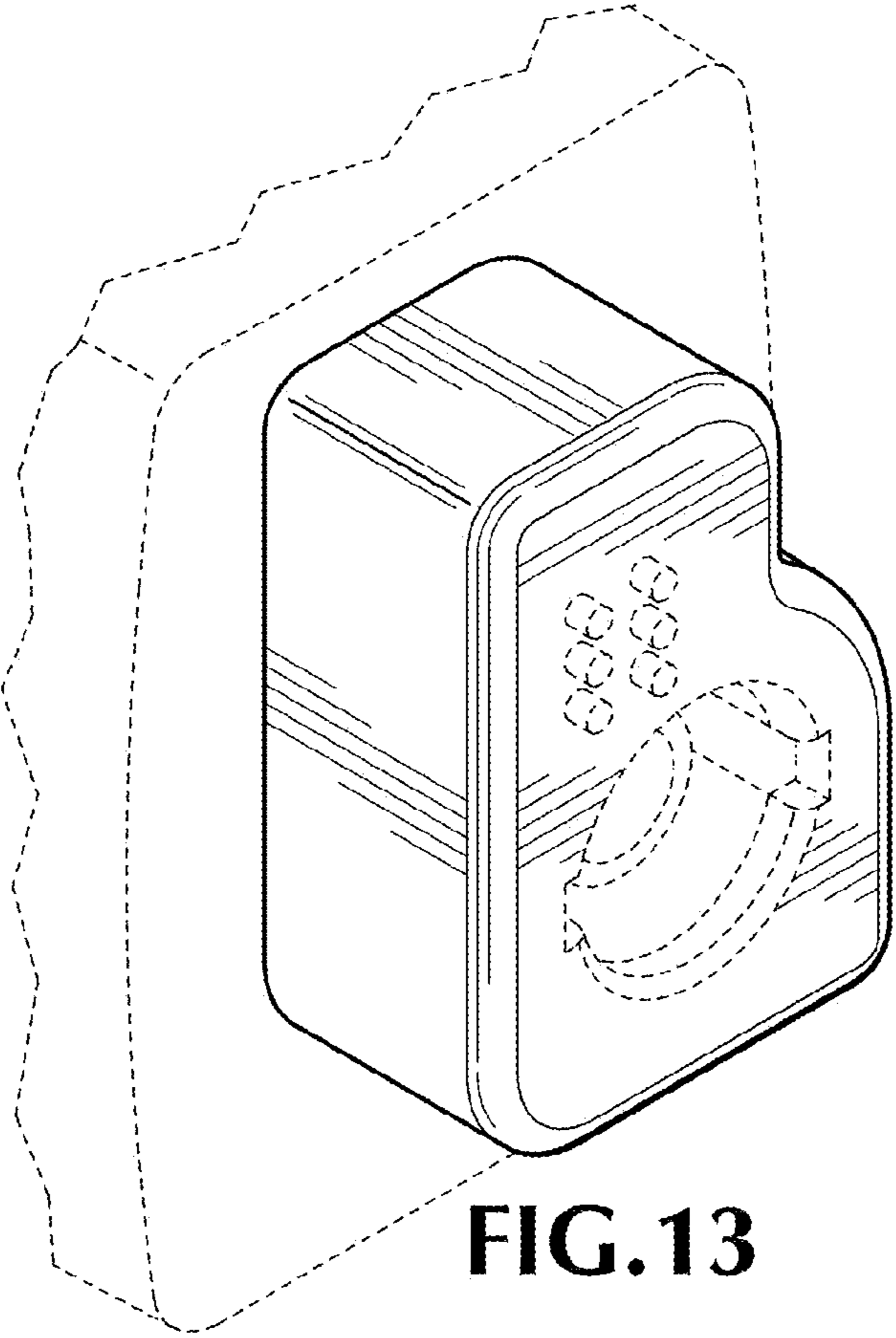


FIG. 12



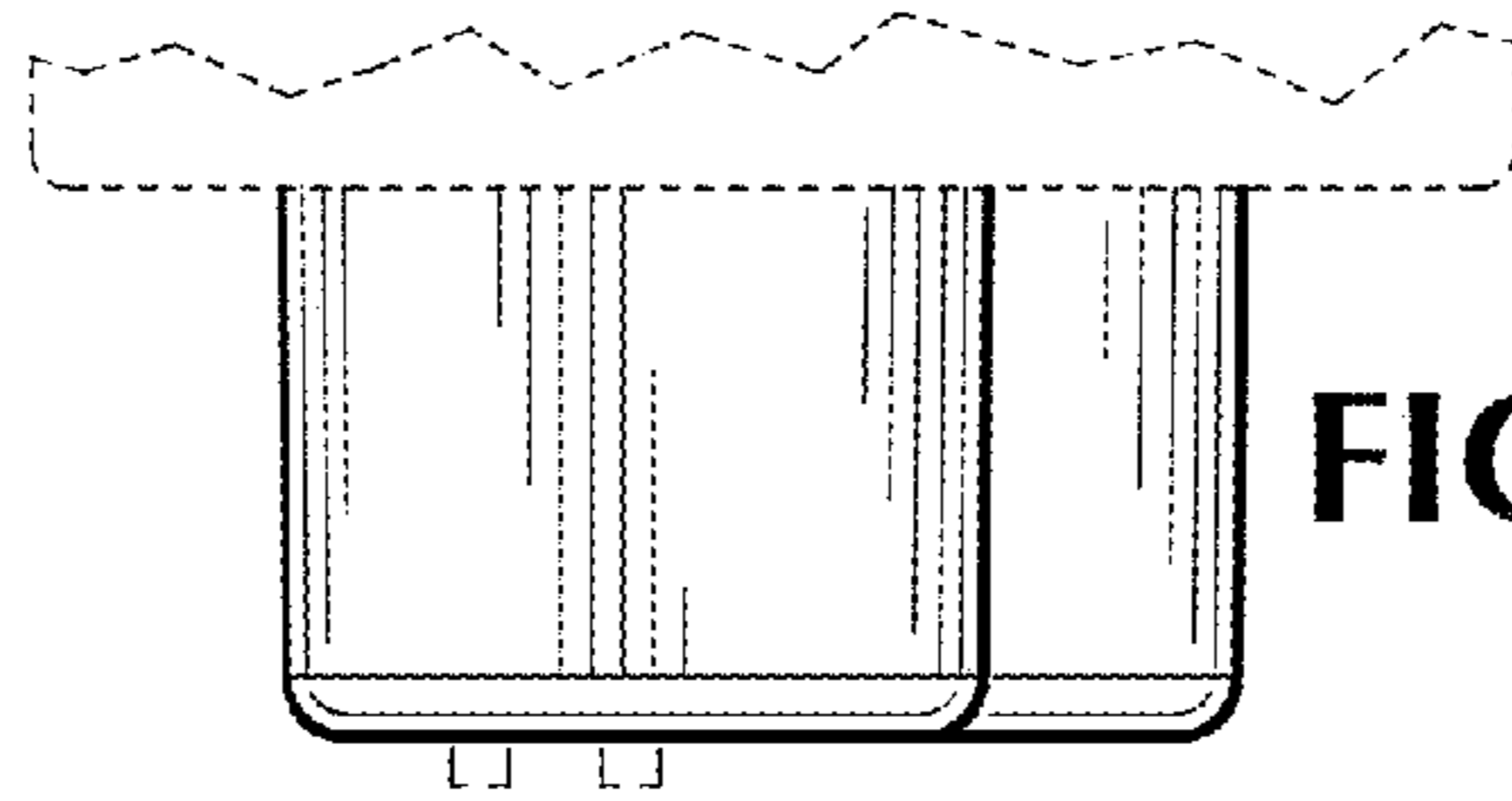


FIG. 17

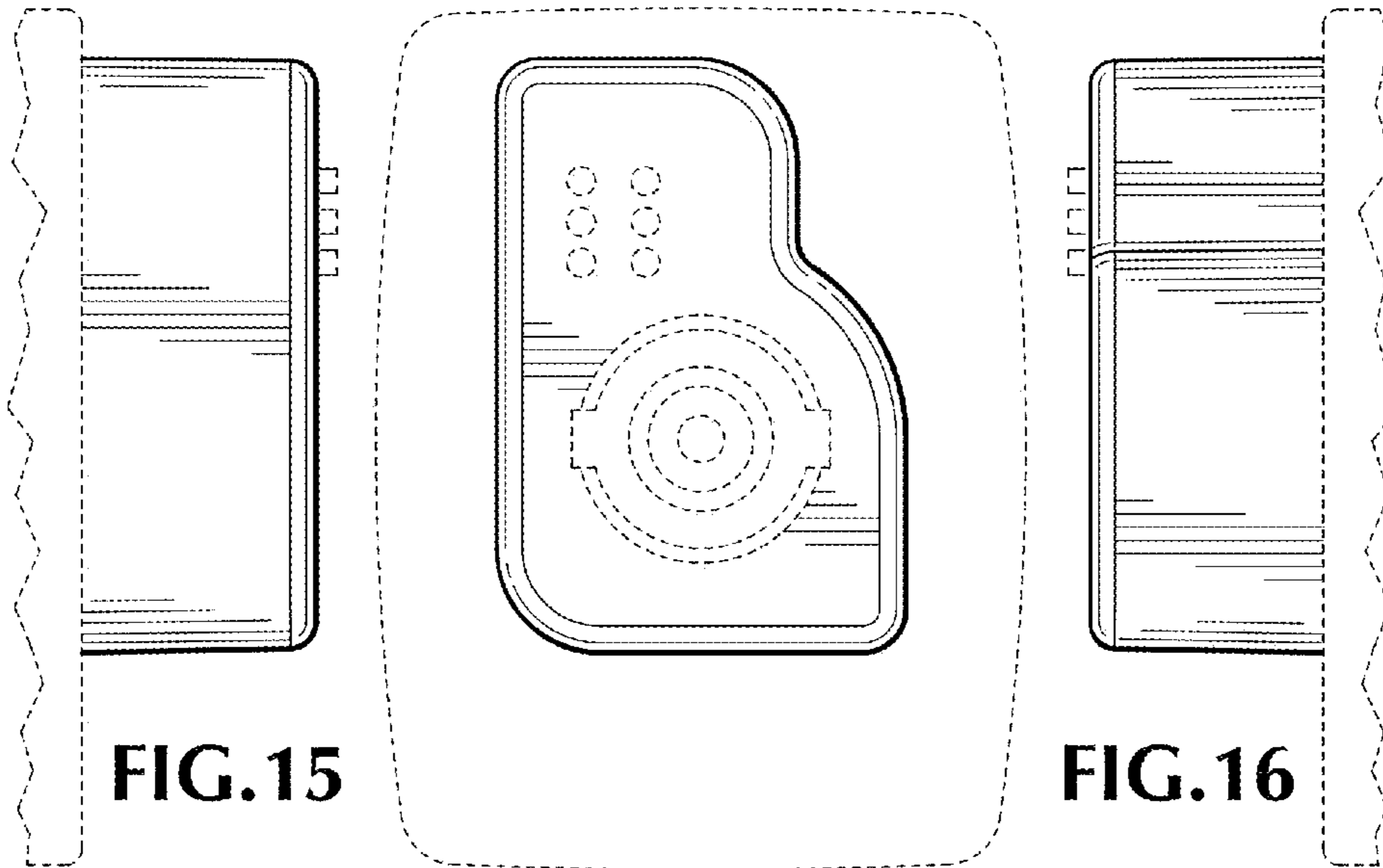


FIG. 15

FIG. 14

FIG. 16

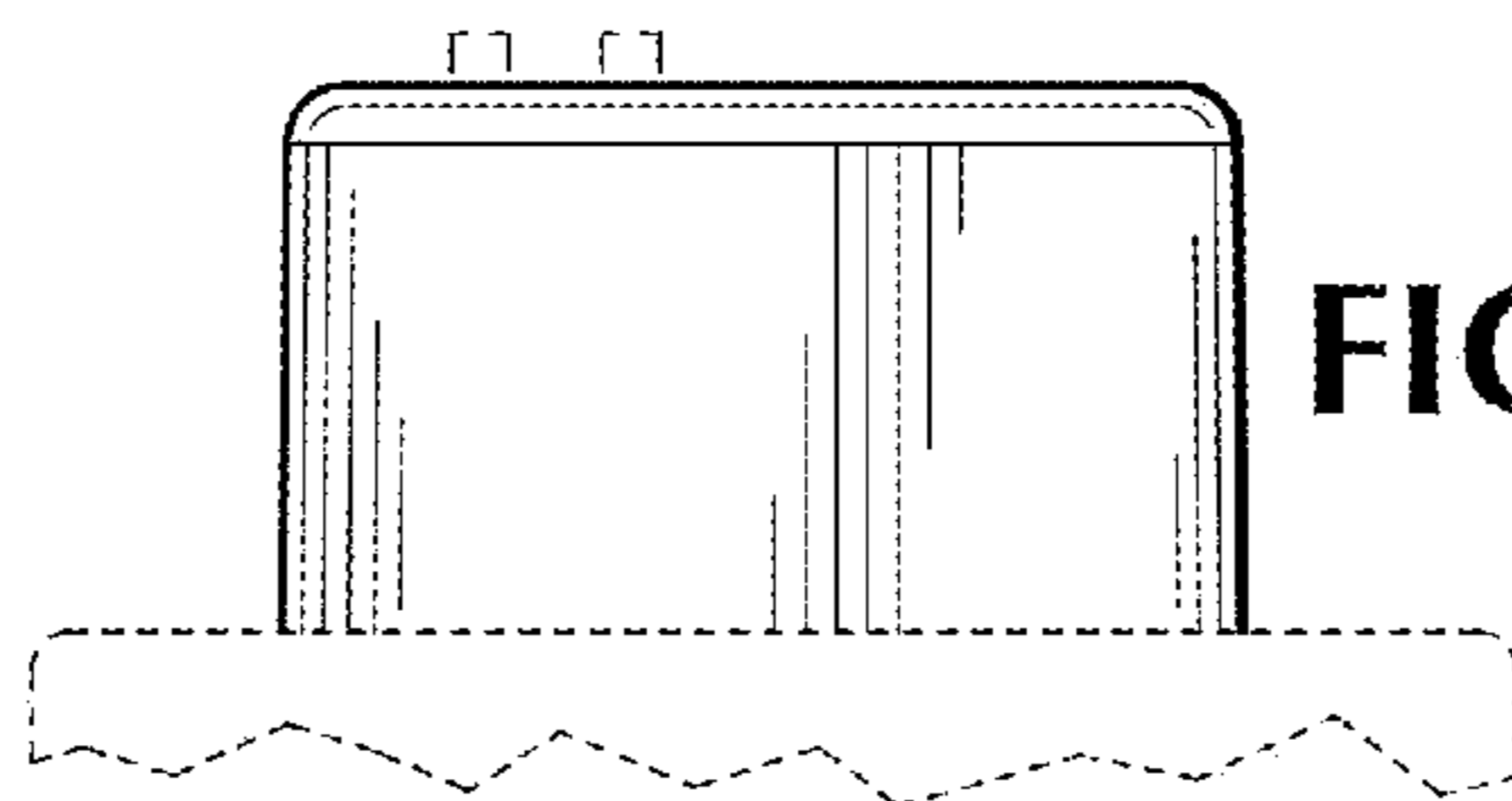


FIG. 18

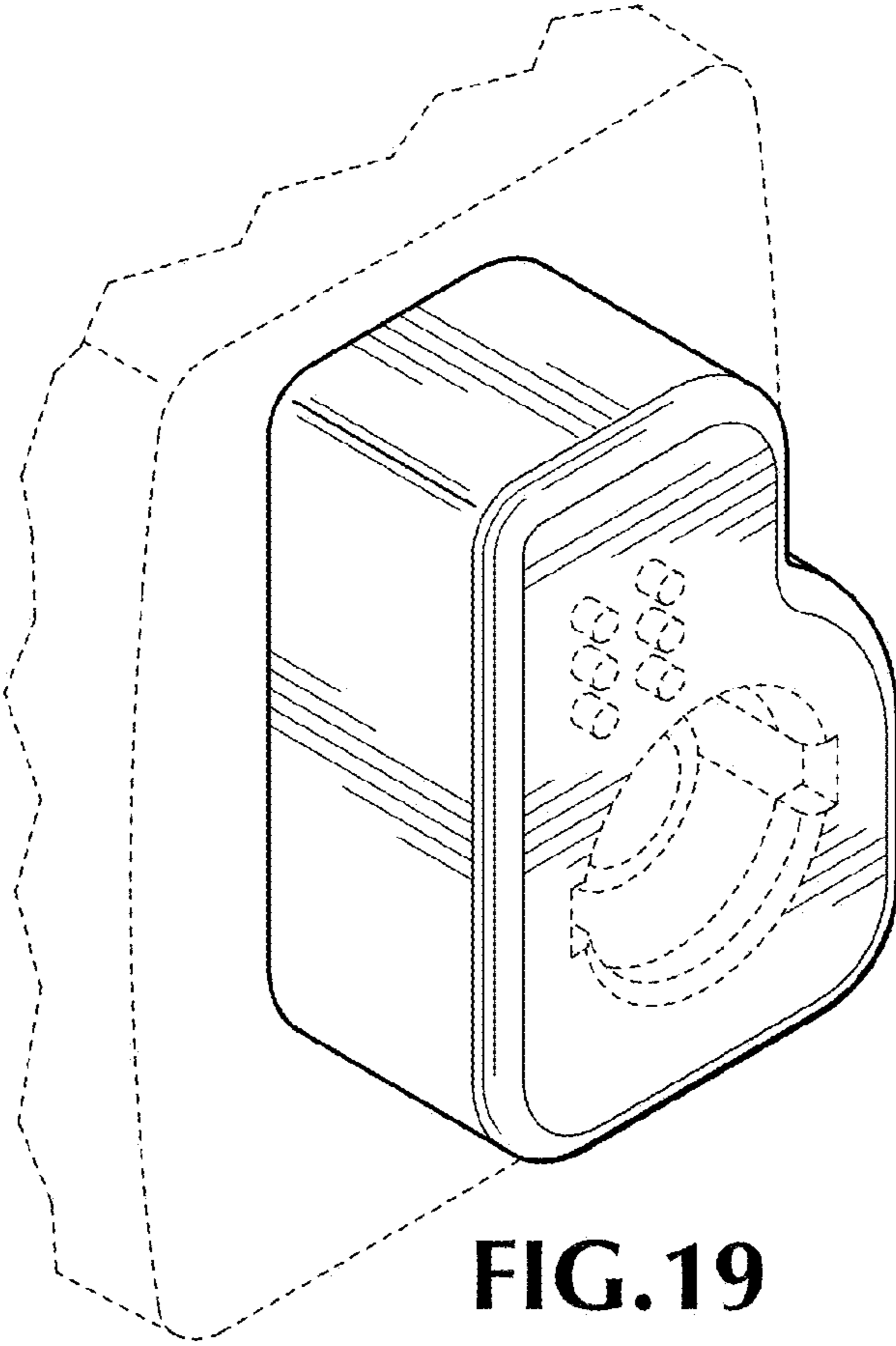


FIG. 19

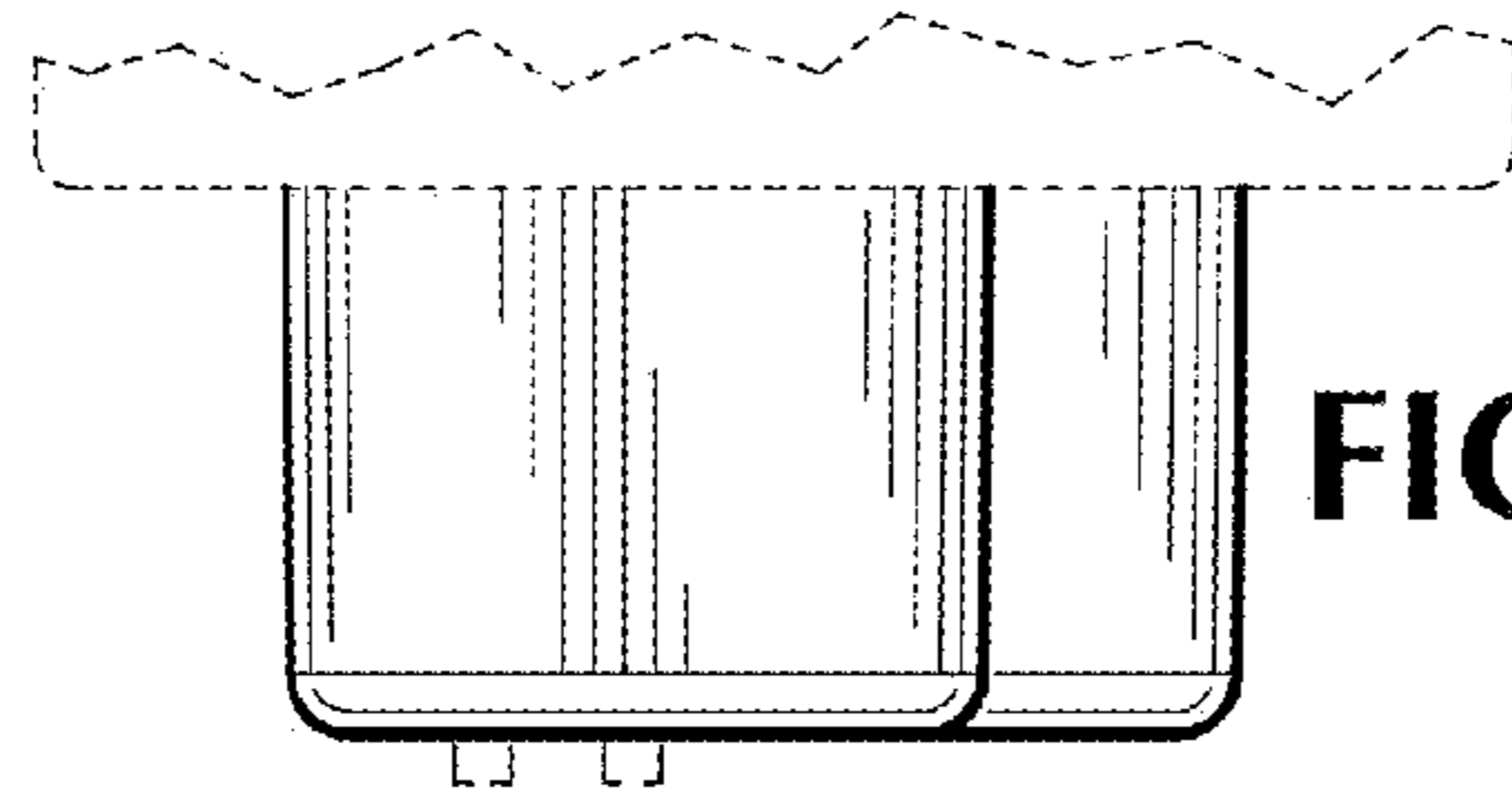


FIG. 23

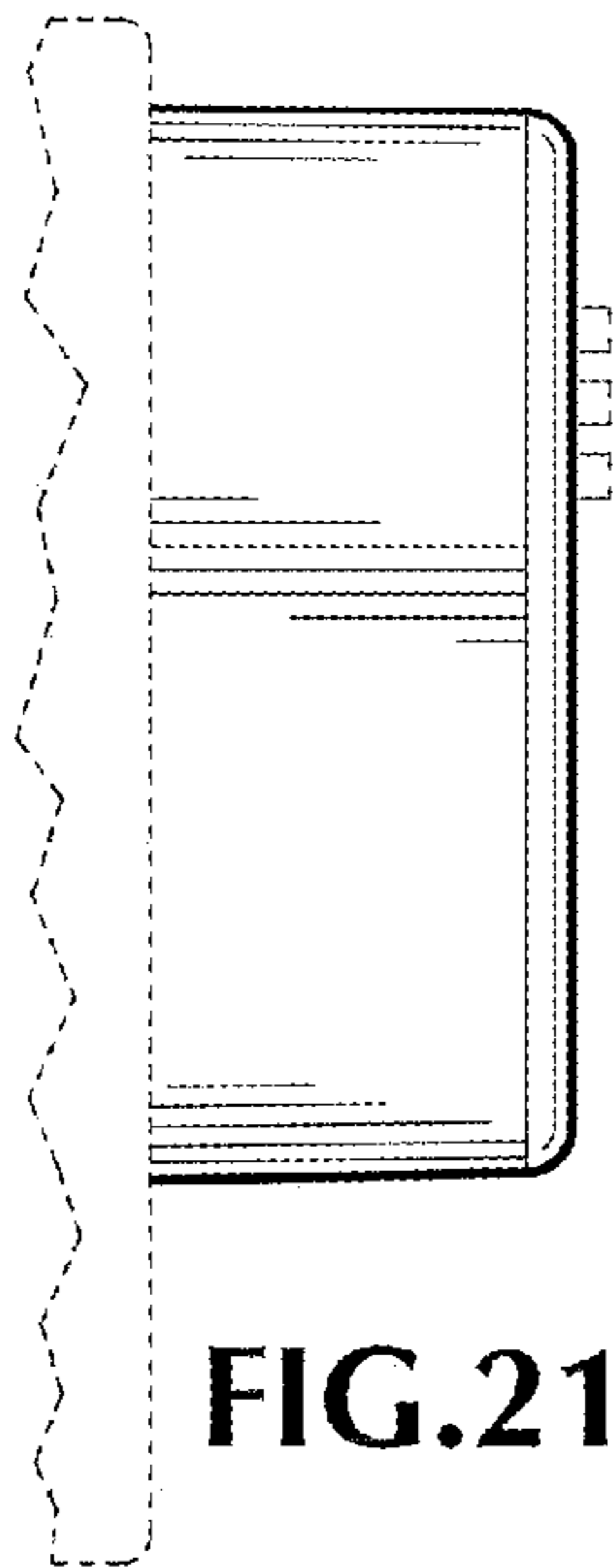


FIG. 21

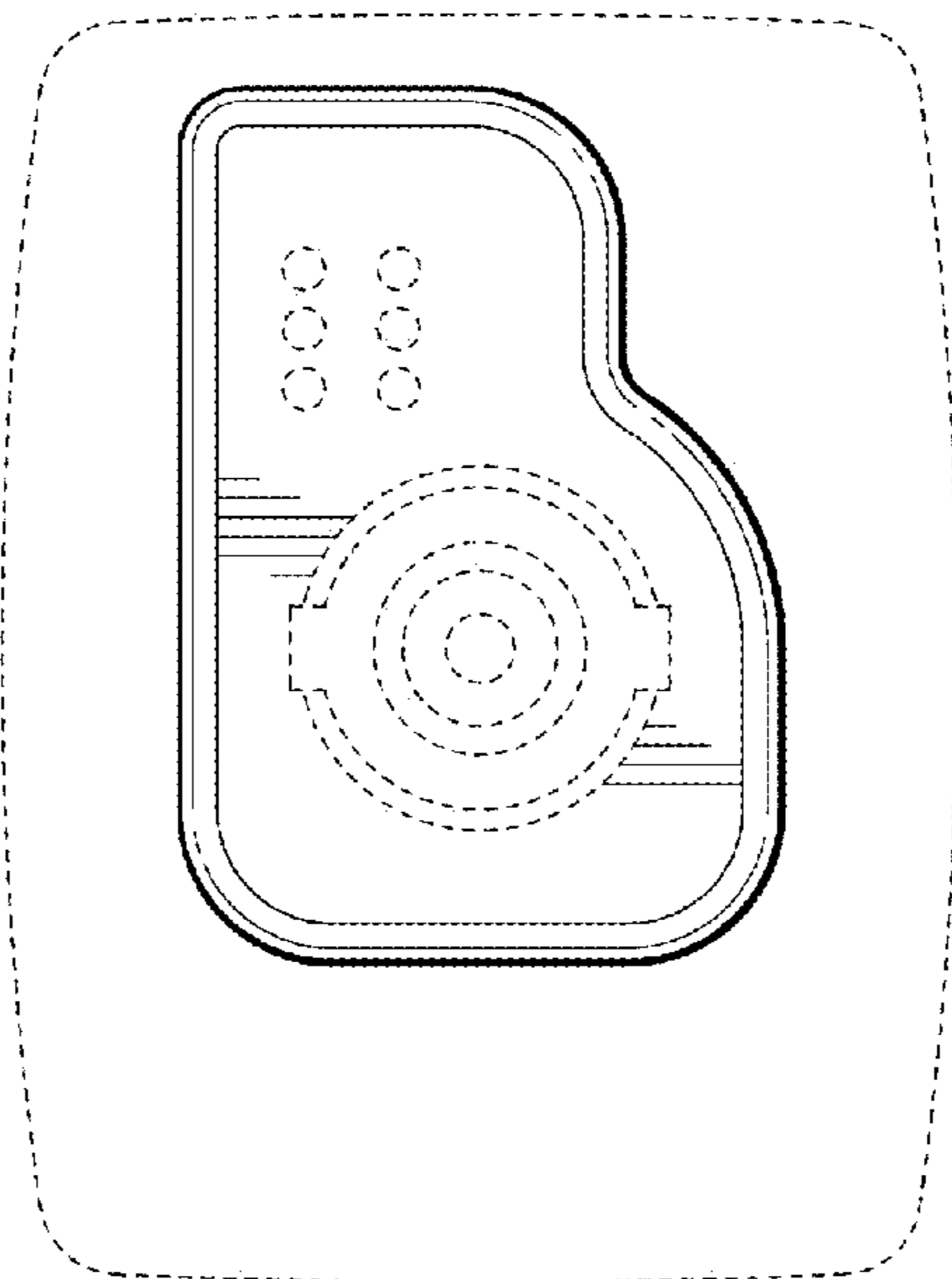


FIG. 20

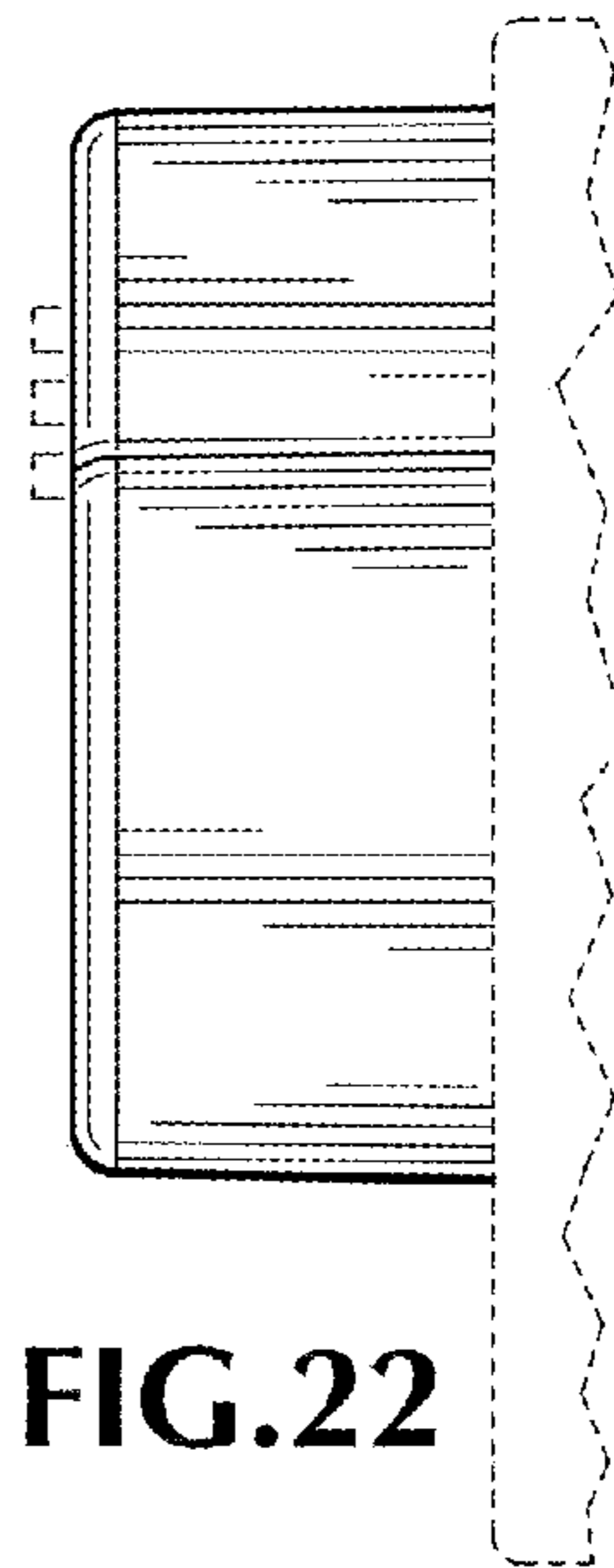


FIG. 22

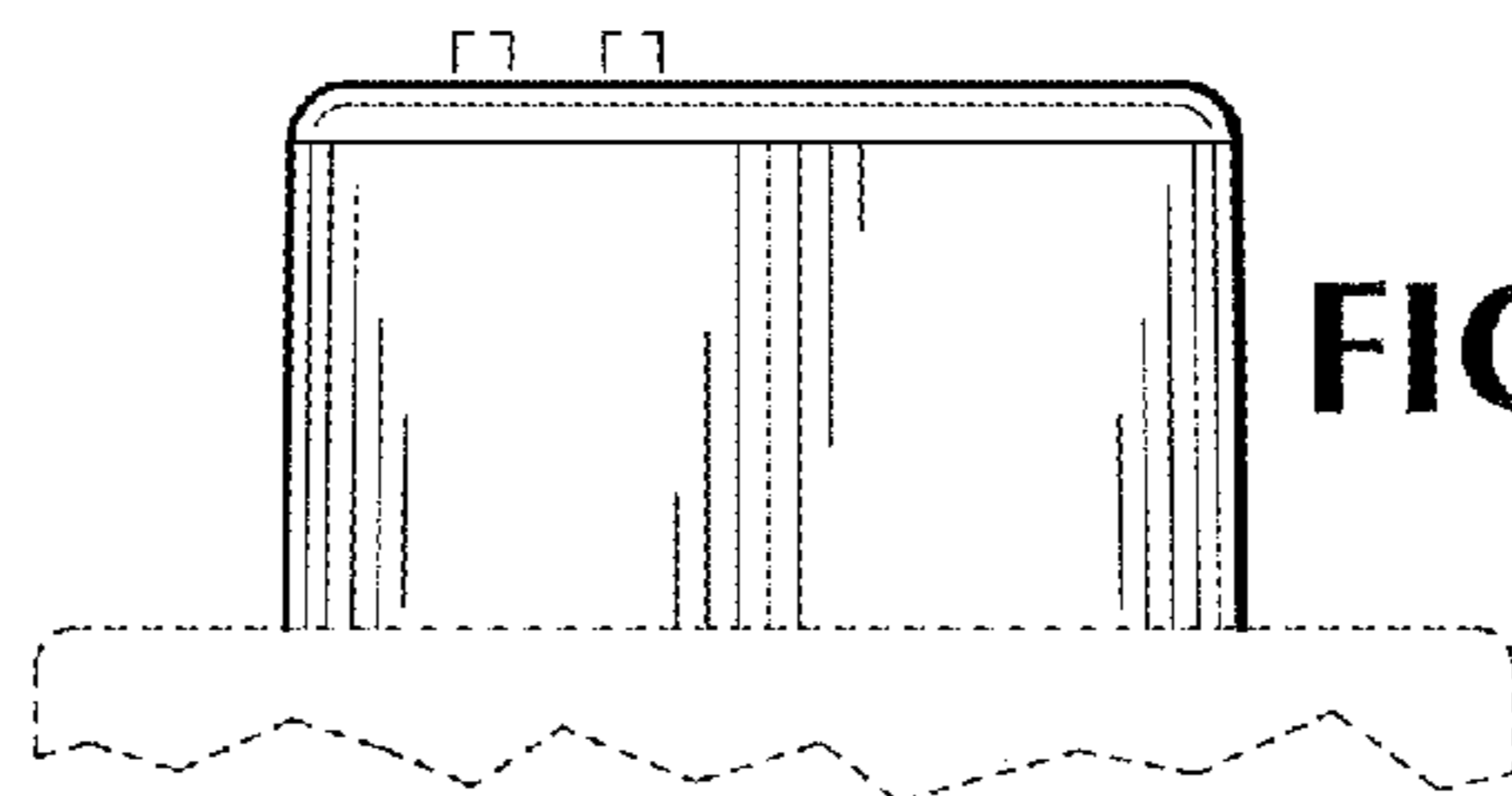


FIG. 24