



US00D697479S

(12) **United States Design Patent**
Andre et al.

(10) **Patent No.:** **US D697,479 S**
(45) **Date of Patent:** **** Jan. 14, 2014**

(54) **ELECTRONIC DEVICE**

(75) Inventors: **Bartley K. Andre**, Menlo Park, CA (US); **Robert L. Coish**, Mountain View, CA (US); **Brett William Degner**, Menlo Park, CA (US); **Ron Alan Hopkinson**, Campbell, CA (US); **Chris Ligtenberg**, San Carlos, CA (US); **R. Sean Murphy**, Sunnyvale, CA (US); **John Raff**, Menlo Park, CA (US)

D348,046 S 6/1994 Hulsebus
5,326,651 A 7/1994 Mehta et al.
D356,992 S 4/1995 Dilgard
5,436,089 A 7/1995 Fedele
5,601,942 A 2/1997 Fedele
D409,973 S 5/1999 Iwamoto et al.
D440,201 S 4/2001 Huynh et al.
D479,192 S 9/2003 Fujihara et al.
6,884,540 B2 4/2005 Chikada
7,595,129 B2 9/2009 Kato

(Continued)

(73) Assignee: **Apple Inc.**, Cupertino, CA (US)

(**) Term: **14 Years**

(21) Appl. No.: **29/417,189**

(22) Filed: **Mar. 30, 2012**

Related U.S. Application Data

(60) Continuation of application No. 29/388,896, filed on Apr. 4, 2011, now Pat. No. Des. 658,583, which is a division of application No. 29/377,145, filed on Oct. 18, 2010, now Pat. No. Des. 637,157.

(51) **LOC (10) Cl.** **13-02**

(52) **U.S. Cl.**
USPC **D13/119**

(58) **Field of Classification Search**
USPC D13/102–106, 110, 118–119, 184;
429/96–100, 163, 176
See application file for complete search history.

(56) **References Cited**

U.S. PATENT DOCUMENTS

D269,672 S 7/1983 Seltzer et al.
D269,868 S 7/1983 Seltzer et al.
5,019,465 A 5/1991 Herron et al.
D321,856 S 11/1991 Whitley et al.
5,180,644 A 1/1993 Bresin et al.
5,308,716 A 5/1994 Shababy et al.

OTHER PUBLICATIONS

U.S. Appl. No. 29/424,264, filed Jun. 9, 2012, entitled “Electronic Device,” as amended Dec. 11, 2012.

(Continued)

Primary Examiner — Rosemary K Tarcza

(74) *Attorney, Agent, or Firm* — SAIDMAN DesignLaw Group

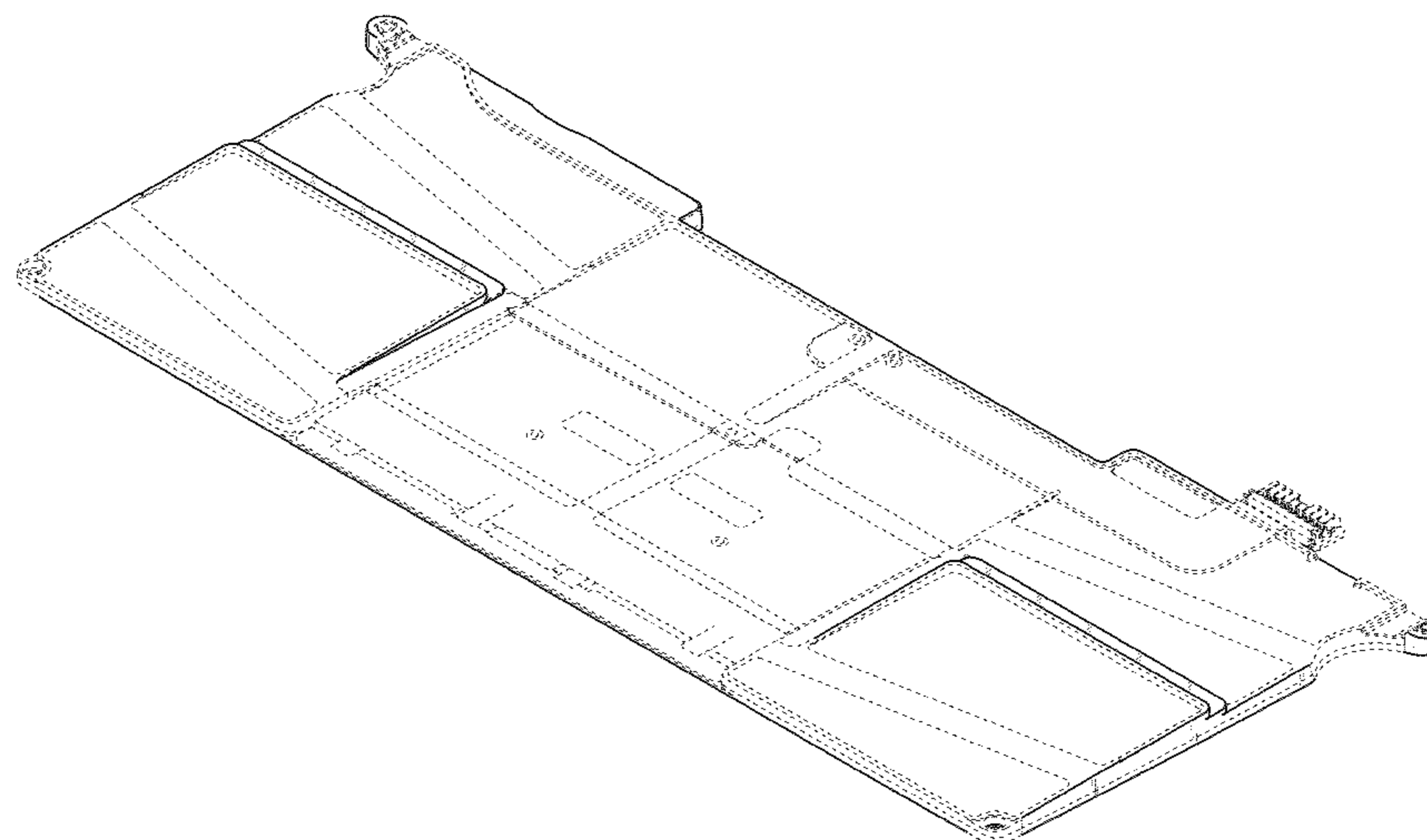
(57) **CLAIM**

The ornamental design for an electronic device, as shown and described.

DESCRIPTION

FIG. 1 is a top, front, right perspective view of an electronic device showing our new design; FIG. 2 is a top view thereof; FIG. 3 is a bottom view thereof; FIG. 4 is a rear view thereof; FIG. 5 is a front view thereof; FIG. 6 is a right side view thereof; and, FIG. 7 is a left side view thereof. The broken lines are for the purpose of illustrating portions of the electronic device and form no part of the claimed design. The dotted lines indicate unclaimed boundaries. The relatively light shade lines on the surface portions indicate claimed regions.

1 Claim, 5 Drawing Sheets



US D697,479 S

Page 2

(56)

References Cited

U.S. PATENT DOCUMENTS

7,597,996 B2 10/2009 Ro et al.
D611,413 S 3/2010 Brockington
7,682,727 B2 3/2010 Hsu
7,713,654 B2 5/2010 Hsu et al.
D637,157 S 5/2011 Andre et al.
D655,673 S * 3/2012 Masui D13/103

D669,849 S * 10/2012 Morisawa D13/103
D670,240 S * 11/2012 Morisawa D13/103
2002/0094475 A1 * 7/2002 Aoyama 429/99
2003/0157401 A1 * 8/2003 Gelbke et al. 429/84

OTHER PUBLICATIONS

U.S. Appl. No. 29/435,192, filed Oct. 20, 2012, entitled "Battery."

* cited by examiner

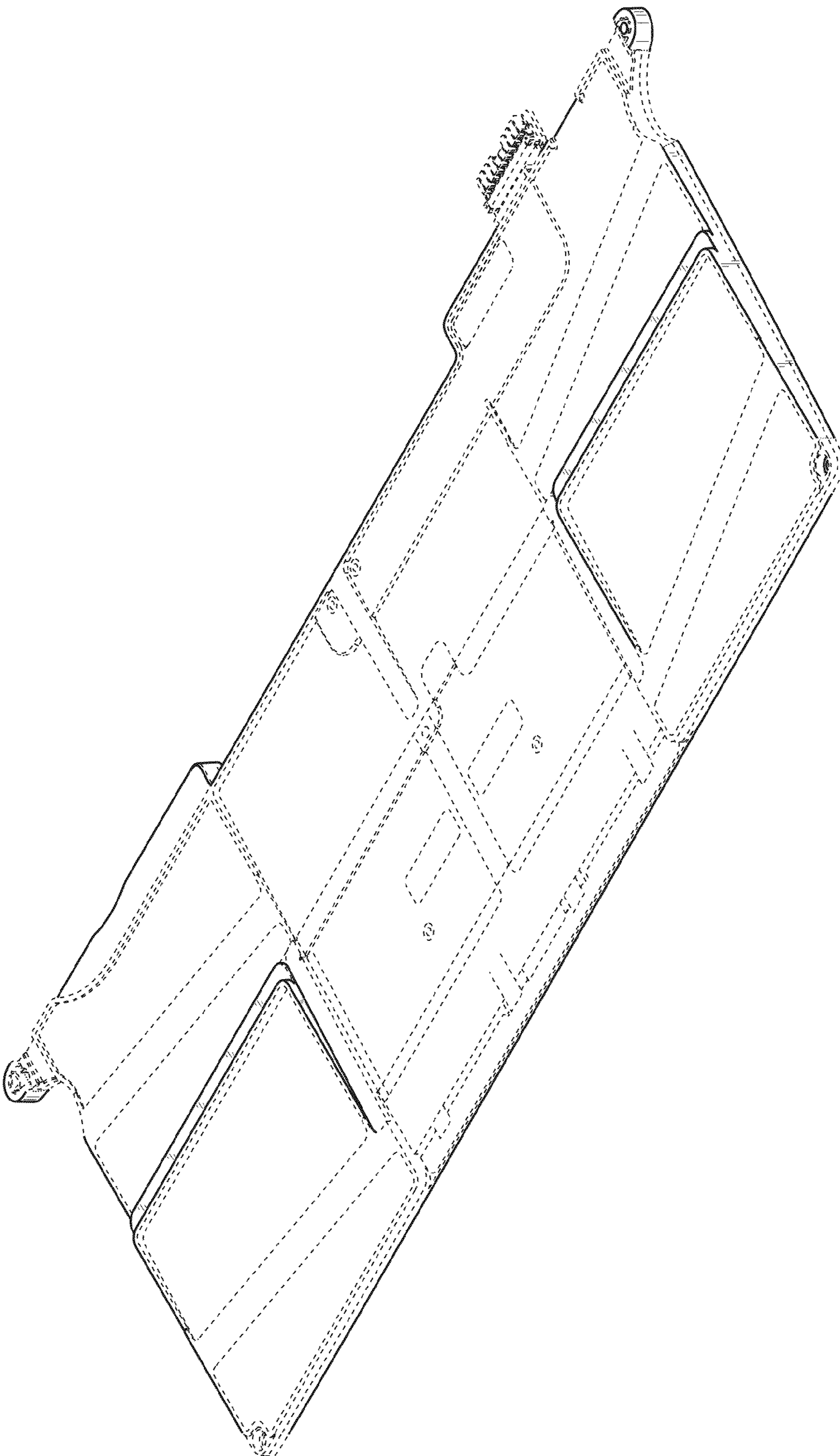


Fig. 1

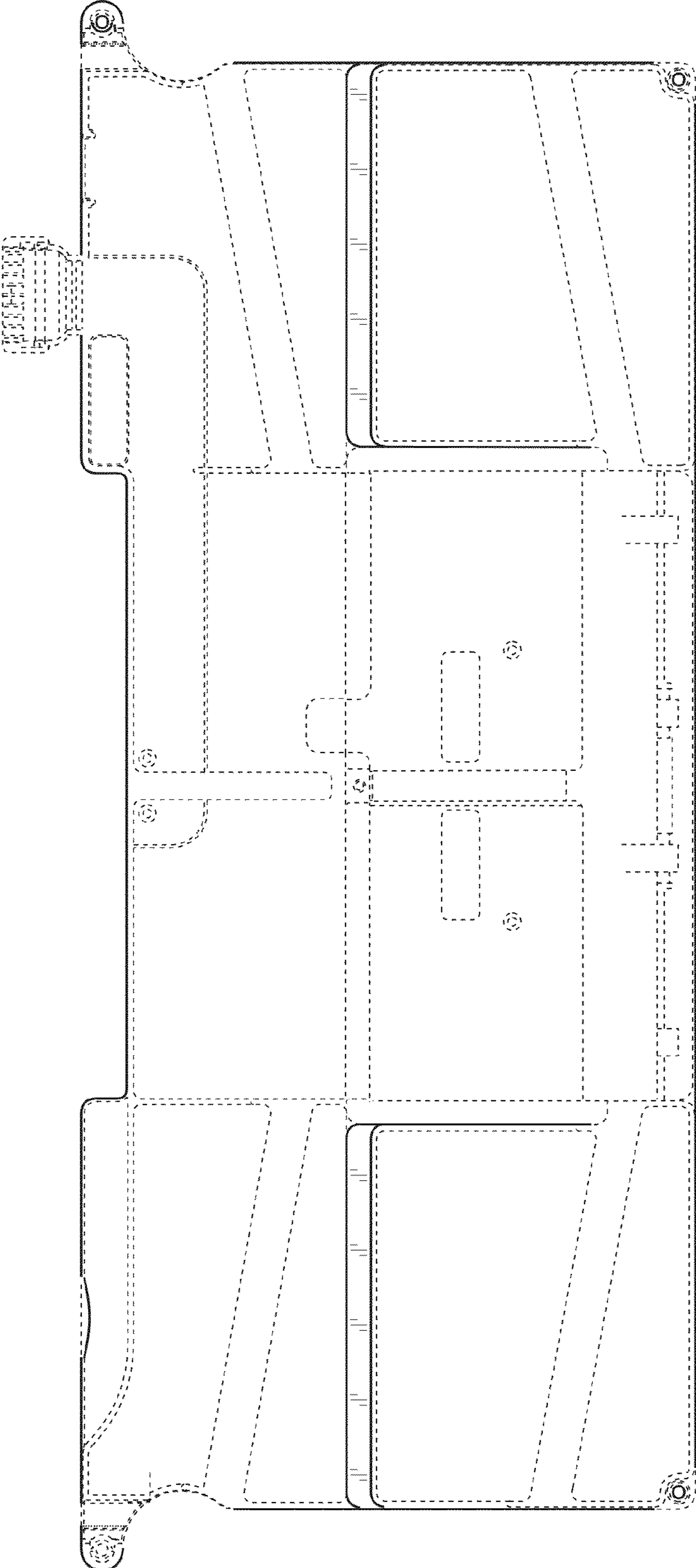


Fig. 2

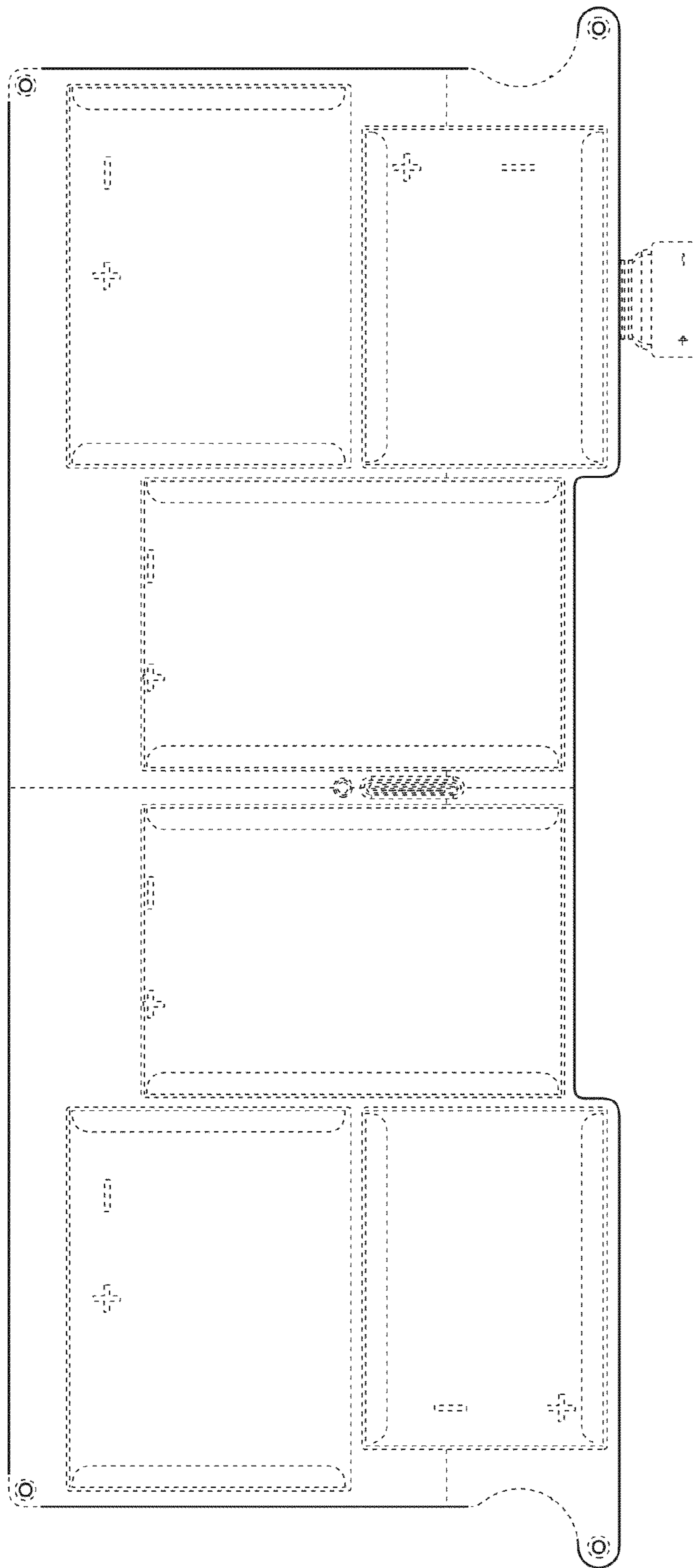


Fig. 3



Fig. 4



Fig. 5

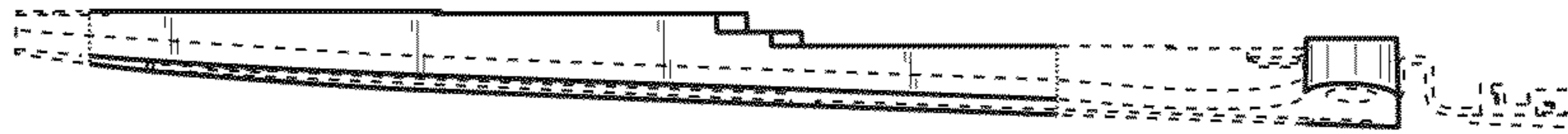


Fig. 6

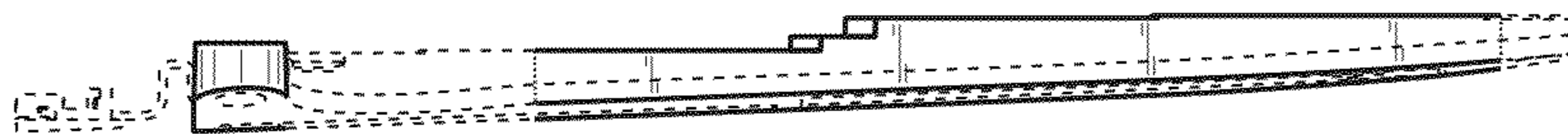


Fig. 7