



US00D697478S

(12) **United States Design Patent**  
**Dasbach**

(10) **Patent No.:** **US D697,478 S**  
(45) **Date of Patent:** **\*\* Jan. 14, 2014**

(54) **DRIVE UNIT**

(71) Applicant: **Robert Bosch GmbH**, Stuttgart (DE)

(72) Inventor: **Gregor Dasbach**, Mondeville (FR)

(73) Assignee: **Robert Bosch GmbH**, Stuttgart (DE)

(\*\*) Term: **14 Years**

(21) Appl. No.: **29/446,361**

(22) Filed: **Feb. 22, 2013**

(30) **Foreign Application Priority Data**

Aug. 23, 2012 (EM) ..... 002091298

(51) **LOC (10) Cl.** ..... **13-01**

(52) **U.S. Cl.**  
USPC ..... **D13/112**

(58) **Field of Classification Search**  
USPC ..... D13/112, 101, 110, 118, 184, 199;  
D15/199; 160/7, 8, 9, 176.1 P, 330,  
160/332, 339, 343; 310/83, 90, 98; 322/13,  
322/15, 16, 17, 38, 39; D14/217, 239, 260

See application file for complete search history.

(56) **References Cited**

U.S. PATENT DOCUMENTS

D387,598 S *	12/1997	Liu .....	D6/580
D396,448 S *	7/1998	Will et al. ....	D13/112
D433,676 S *	11/2000	Yamada et al. ....	D14/239
D457,493 S *	5/2002	Borges .....	D13/112
D457,858 S *	5/2002	Lee .....	D13/110
D525,195 S *	7/2006	Palese .....	D13/112
D551,619 S *	9/2007	Schneider .....	D13/110

\* cited by examiner

*Primary Examiner* — Derrick Holland

(74) *Attorney, Agent, or Firm* — Maginot, Moore & Beck

(57) **CLAIM**

The ornamental design for a drive unit, as shown and described.

**DESCRIPTION**

FIG. 1 is a perspective view of a drive unit showing my new design;

FIG. 2 is a top plan view thereof;

FIG. 3 is a bottom plan view thereof;

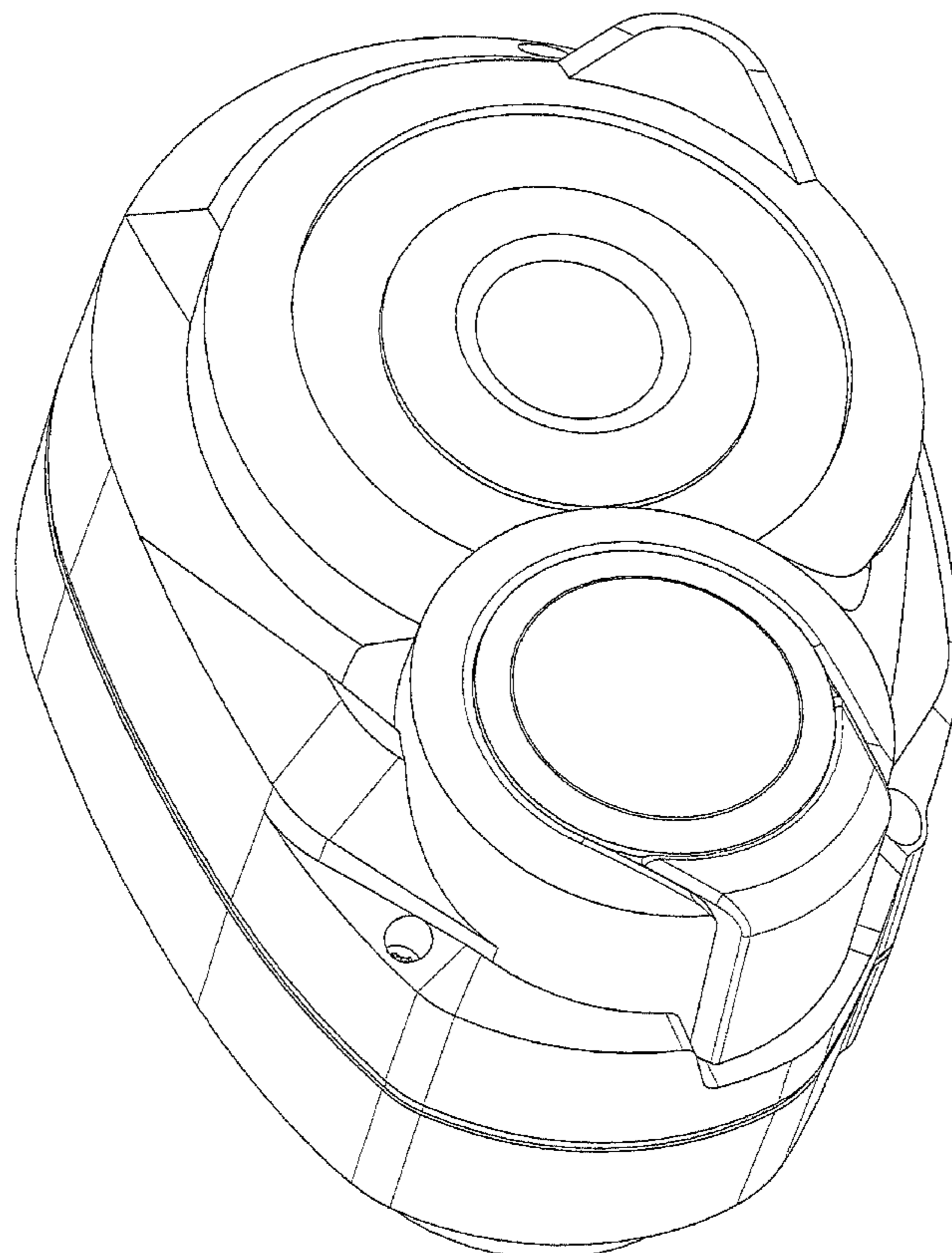
FIG. 4 is a front elevational view thereof;

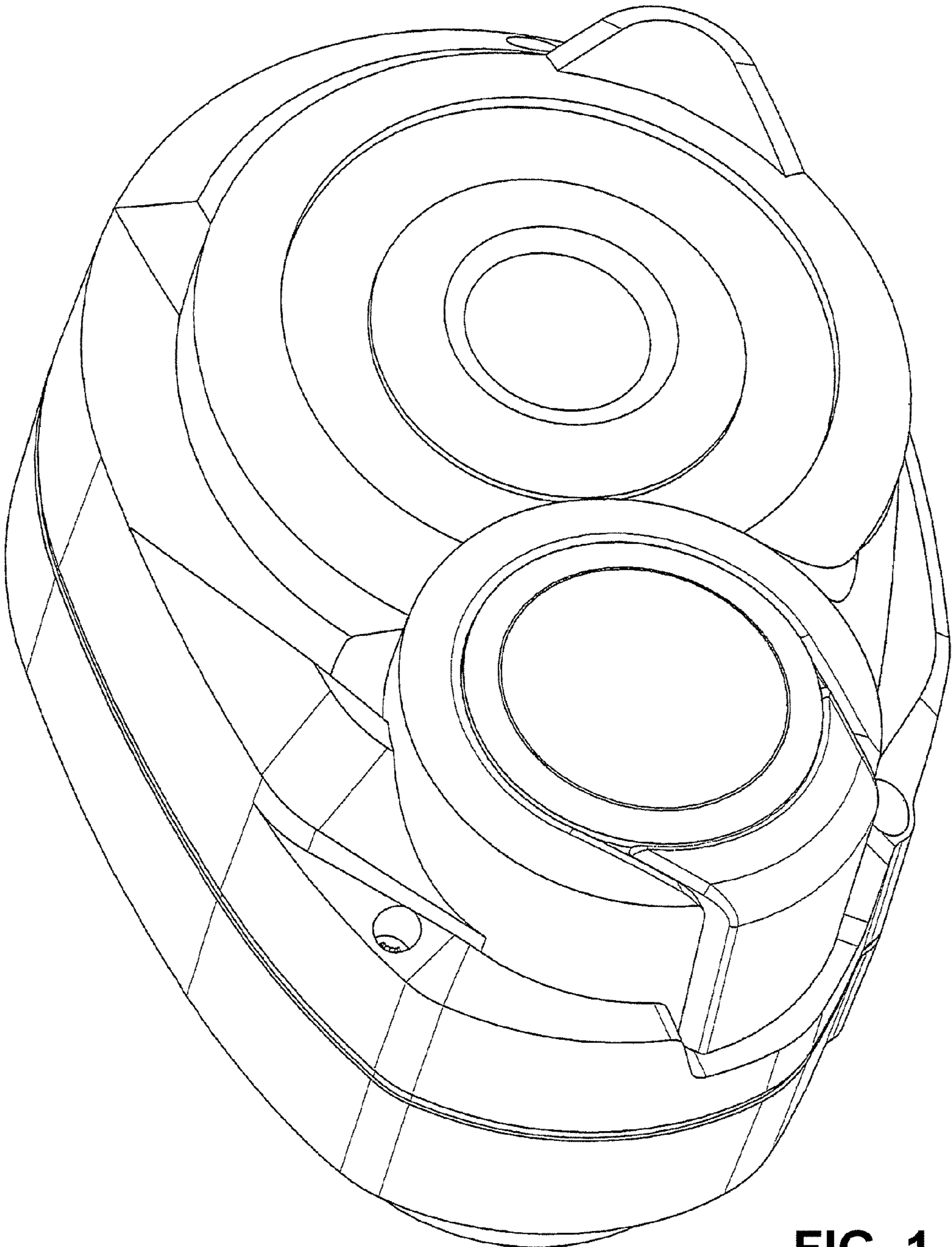
FIG. 5 is a rear elevational view thereof;

FIG. 6 is a left side elevational view thereof; and,

FIG. 7 is a right side elevational view thereof.

**1 Claim, 7 Drawing Sheets**





**FIG. 1**

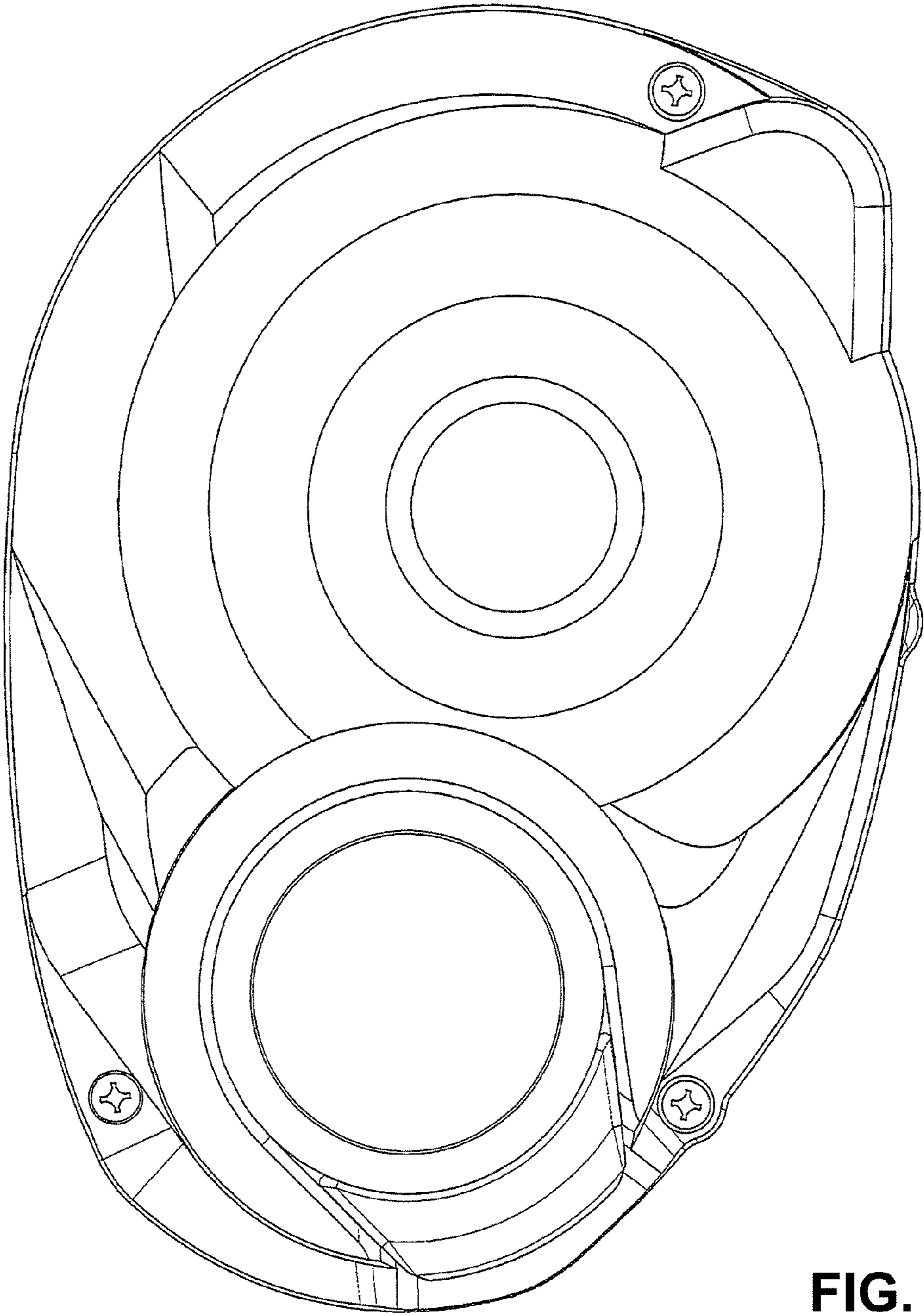
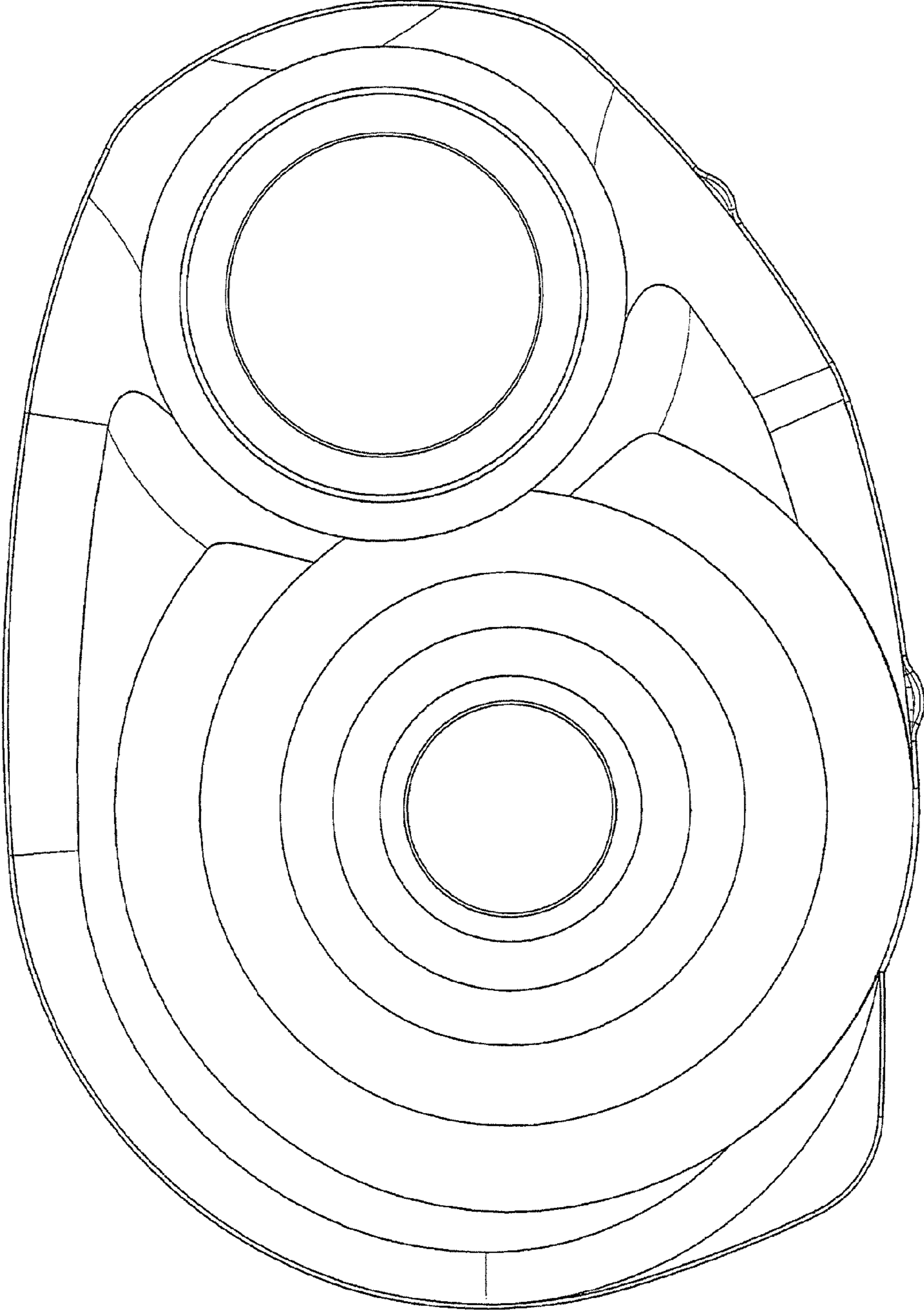
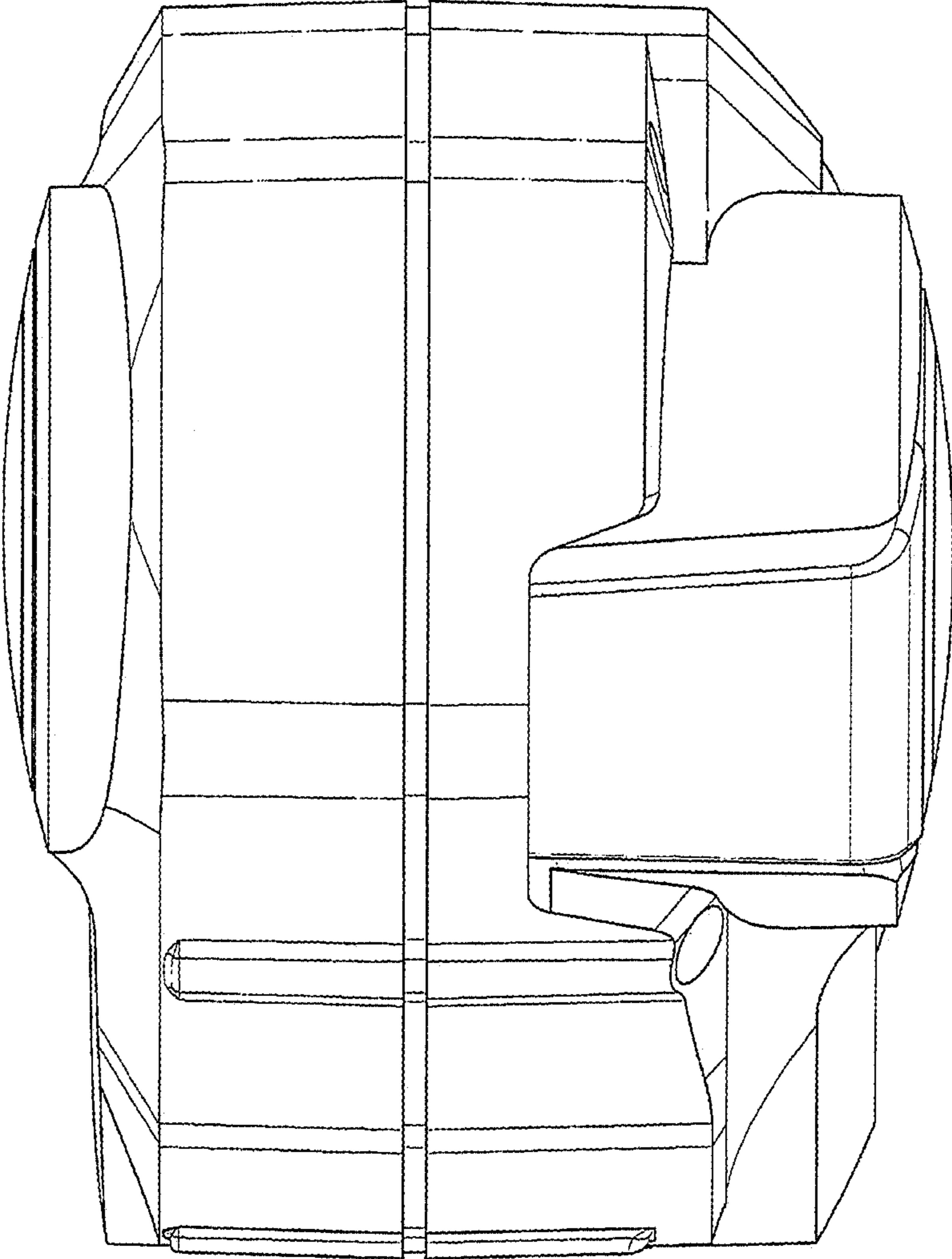


FIG. 2





**FIG. 3**



**FIG. 4**

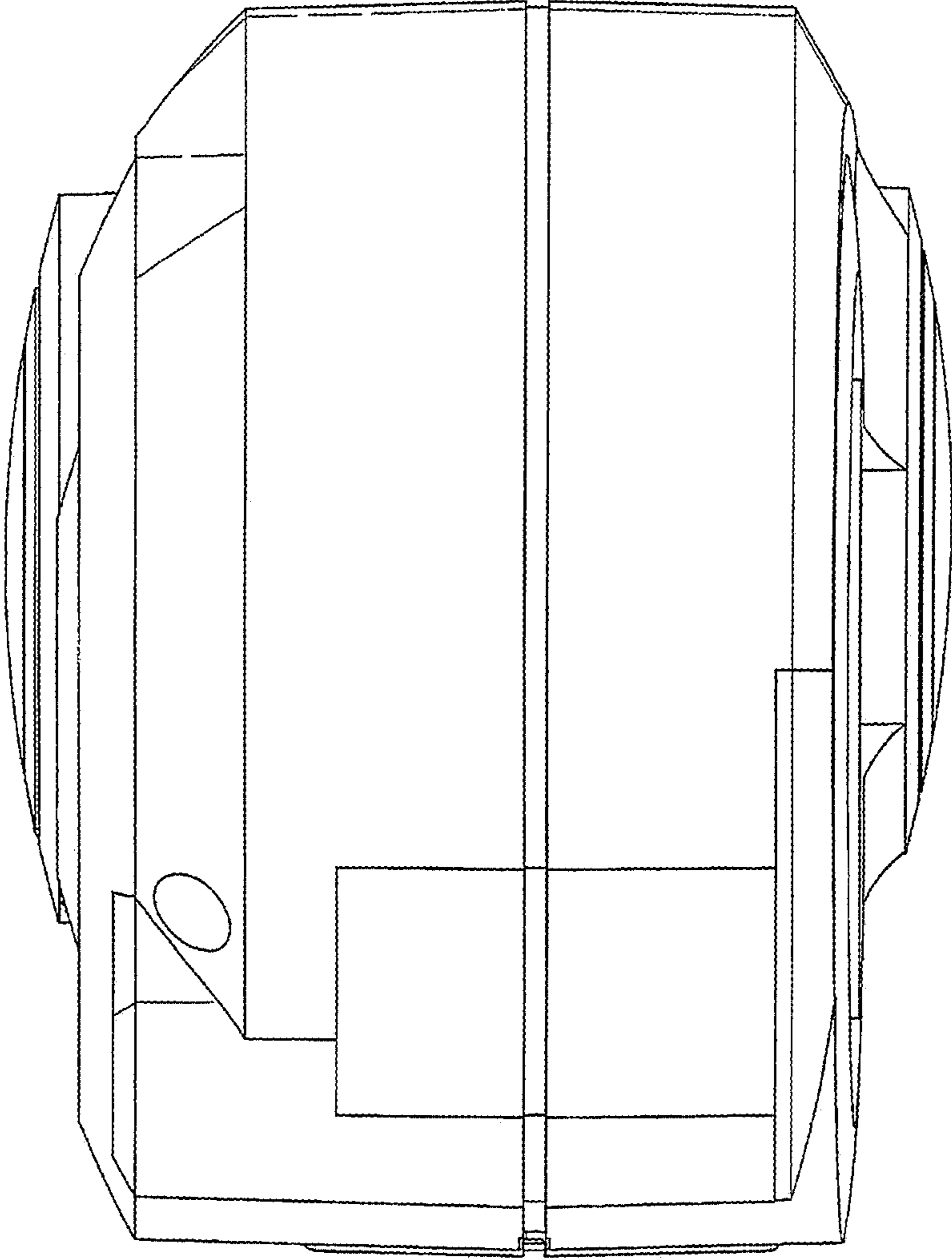
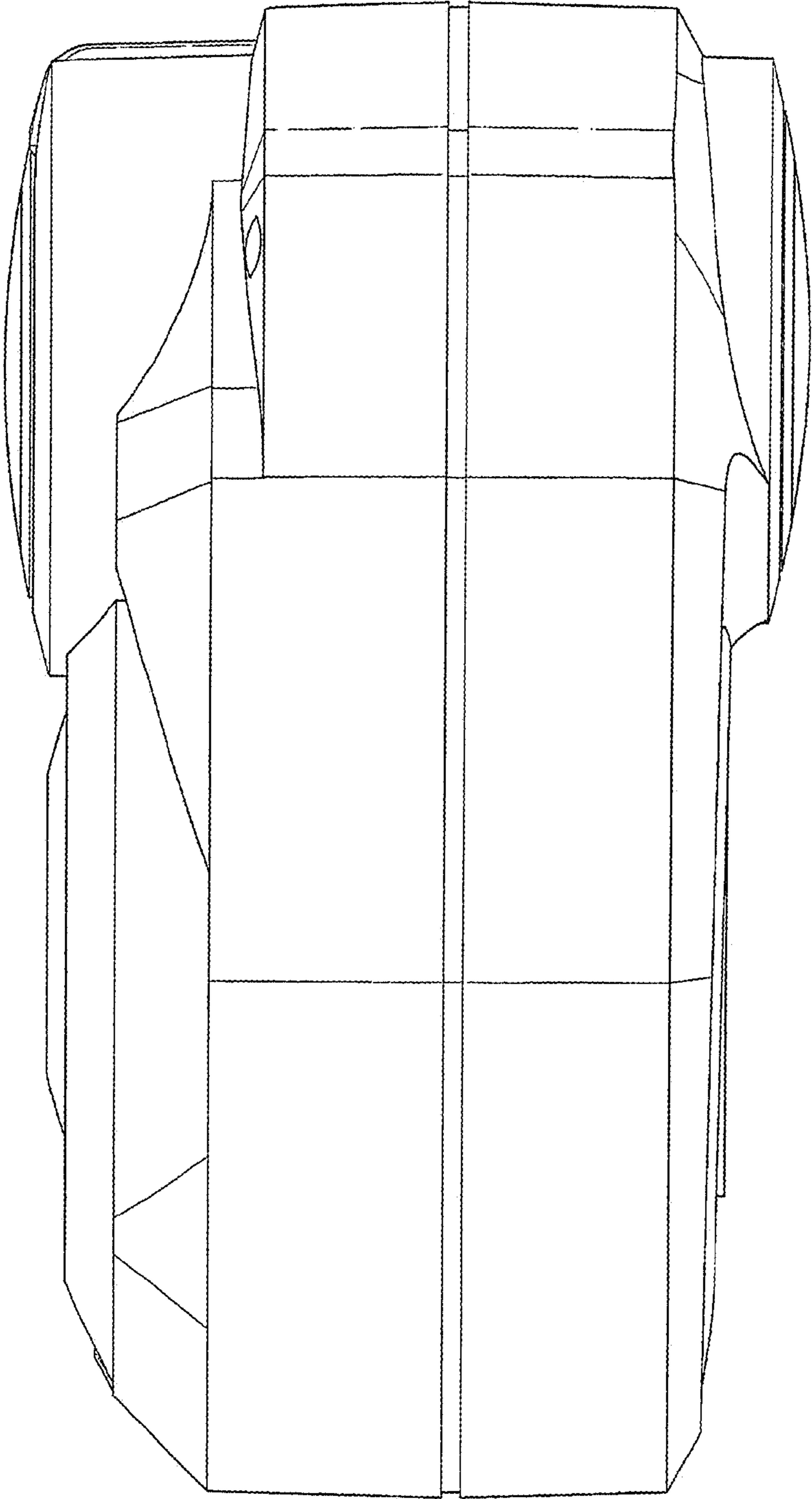
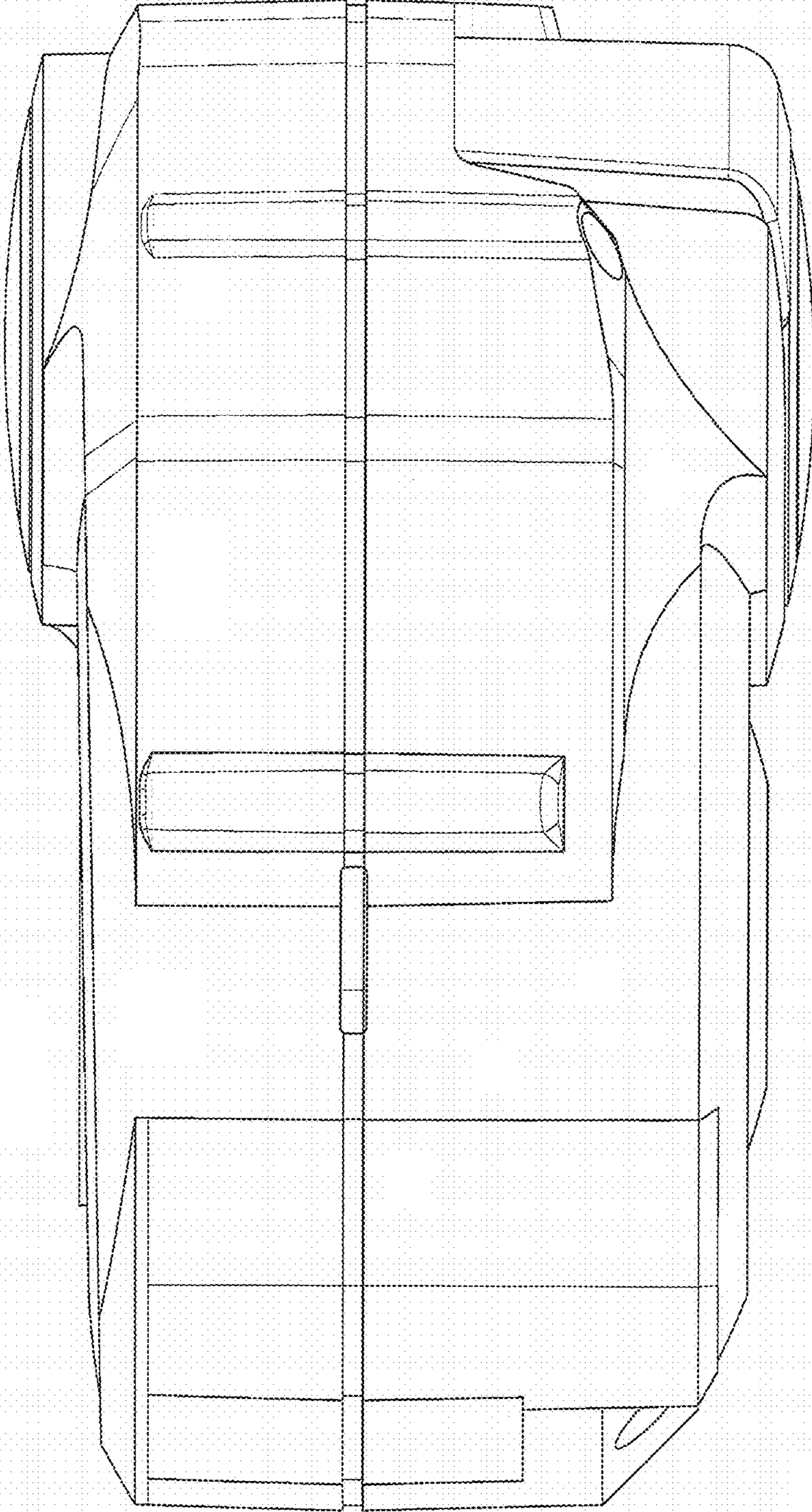


FIG. 5



**FIG. 6**



**FIG. 7**