



US00D697477S

(12) **United States Design Patent**
Jonas, III

(10) **Patent No.:** **US D697,477 S**
(45) **Date of Patent:** **** Jan. 14, 2014**

- (54) **WIRELESS PAD CHARGER**
- (71) Applicant: **Witricity Corporation**, Watertown, MA (US)
- (72) Inventor: **Jude R. Jonas, III**, Hudson, NH (US)
- (73) Assignee: **WiTricity Corporation**, Watertown, MA (US)
- (**) Term: **14 Years**
- (21) Appl. No.: **29/455,182**
- (22) Filed: **May 17, 2013**
- (51) **LOC (10) Cl.** **13-02**
- (52) **U.S. Cl.**
USPC **D13/108**
- (58) **Field of Classification Search**
USPC D13/107-110, 118-119, 184, 199;
D14/217, 251, 253, 432, 434;
320/107-115
See application file for complete search history.

(56) **References Cited**

U.S. PATENT DOCUMENTS

D520,013 S *	5/2006	Yang	D14/434
D557,206 S *	12/2007	Hussaini et al.	D13/107
D606,545 S *	12/2009	Salmon	D14/434
D637,952 S *	5/2011	Tan	D13/108
D639,810 S *	6/2011	Hwang et al.	D14/434
D660,227 S *	5/2012	Rodbro	D13/107

D664,528 S *	7/2012	Chen et al.	D14/253
D674,336 S *	1/2013	Suzuka et al.	D13/108
D674,337 S *	1/2013	Au Yeung	D13/108
8,432,124 B2 *	4/2013	Foster	320/101
D685,366 S *	7/2013	Ding	D14/253
2009/0051319 A1 *	2/2009	Fang et al.	320/115
2013/0106353 A1 *	5/2013	Foster	320/114

* cited by examiner

Primary Examiner — Rosemary K Tarcza

(74) *Attorney, Agent, or Firm* — GTC Law Group LLP & Affiliates

(57) **CLAIM**

An ornamental design for a wireless pad charger, as shown and described.

DESCRIPTION

FIG. 1 is an isometric view of the design with kickstand at 90 degrees.
 FIG. 2 is a side view of the design with kickstand at 90 degrees.
 FIG. 3 is an isometric view of the design with kickstand at highest possible angle.
 FIG. 4 is a side view of the design with kickstand at highest possible angle.
 FIG. 5 is an isometric view of the design with kickstand at 0 degrees.
 FIG. 6 is a side view of the design with kickstand at 0 degrees; and,
 FIG. 7 is a front view of the design with kickstand at 90 degrees.

1 Claim, 7 Drawing Sheets

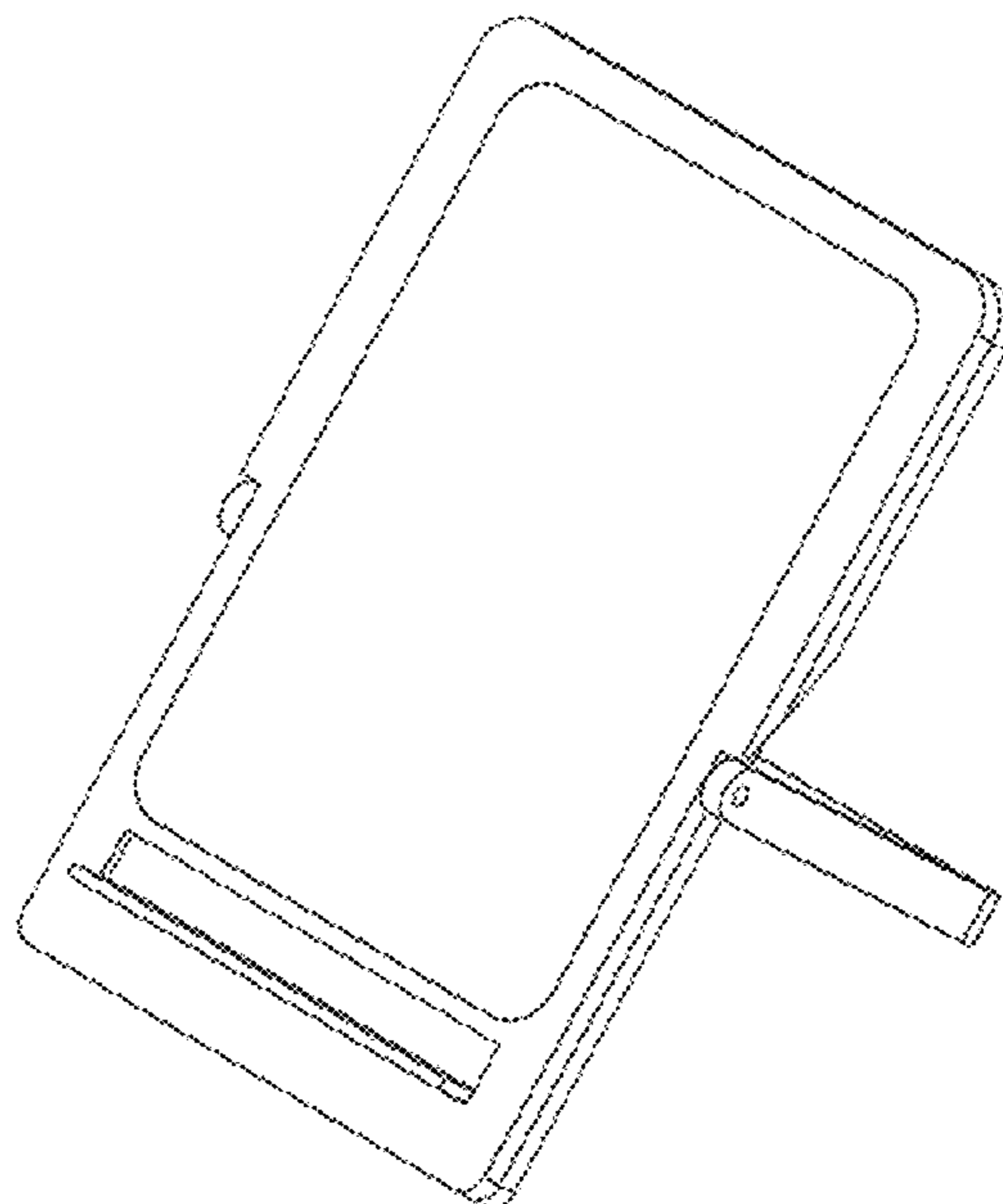


Fig. 1

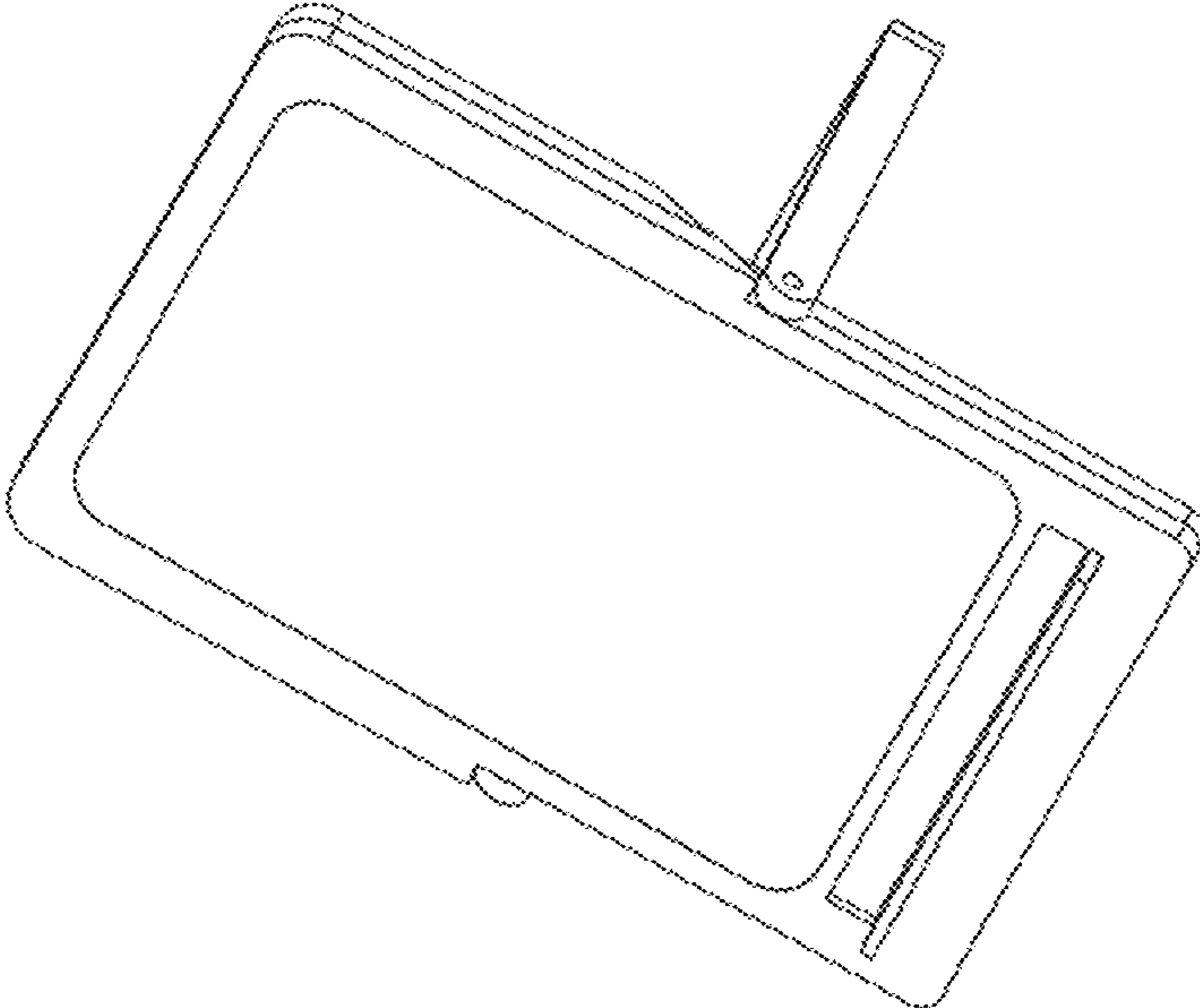


Fig. 2

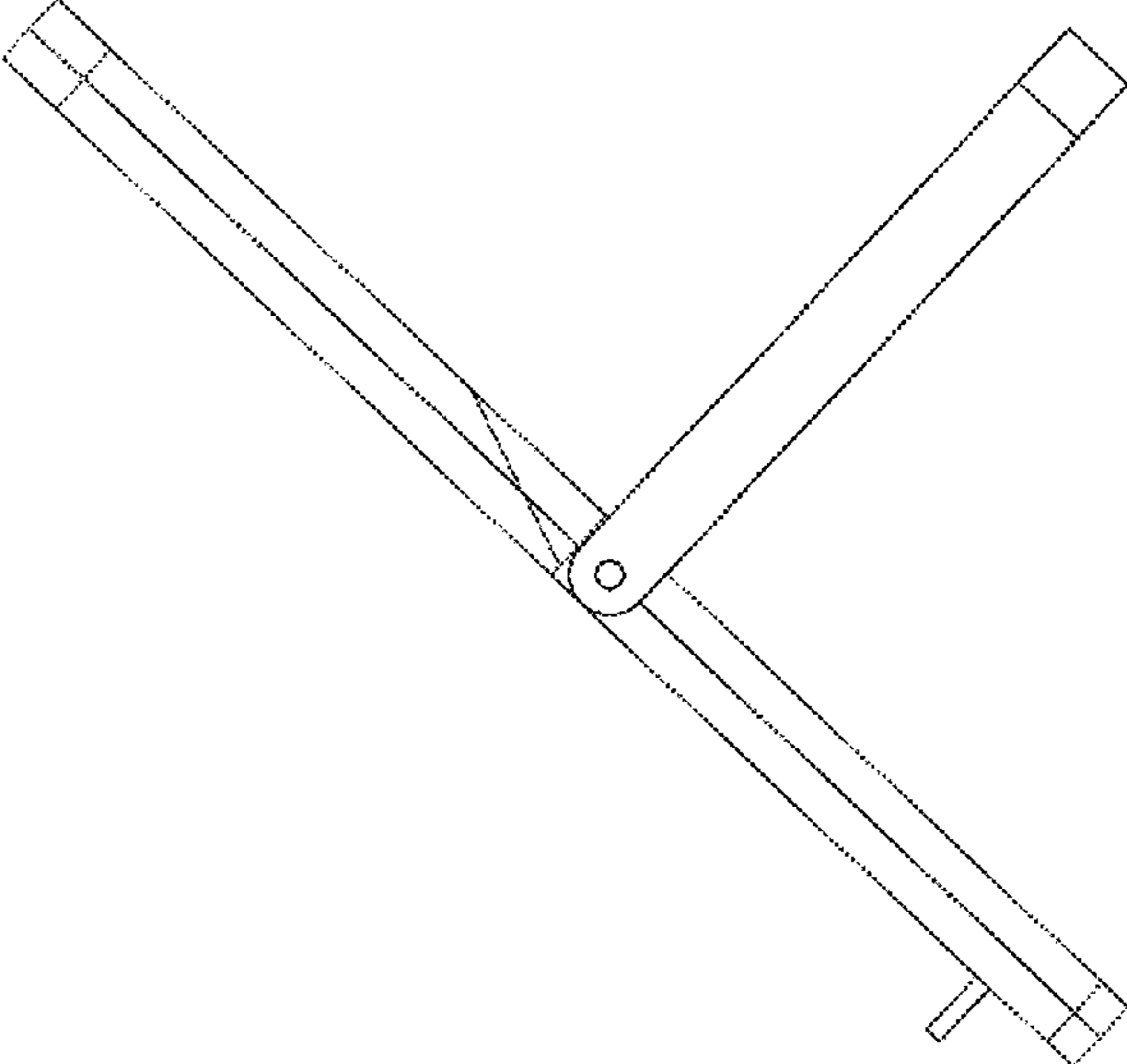


Fig. 3

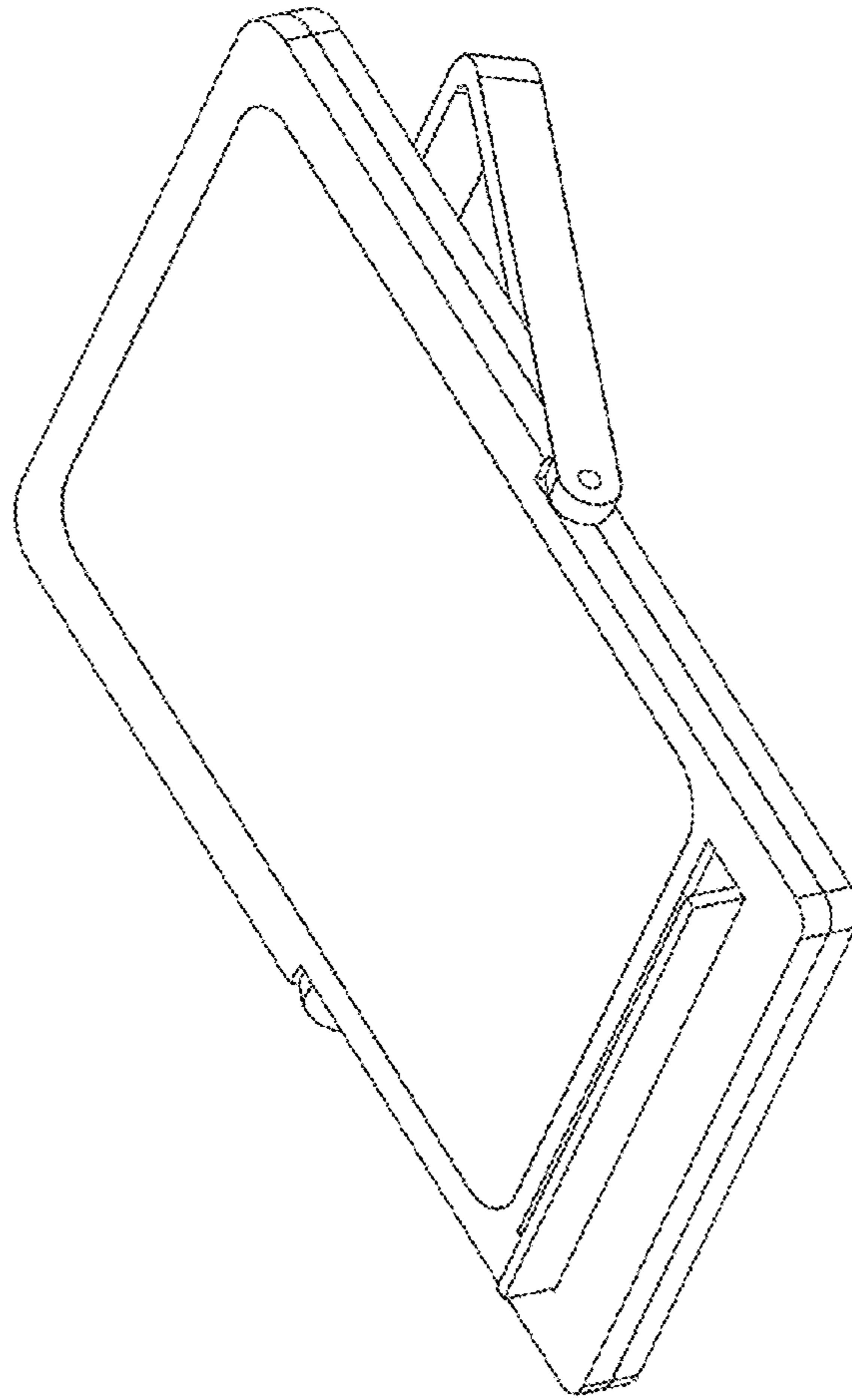


Fig. 4

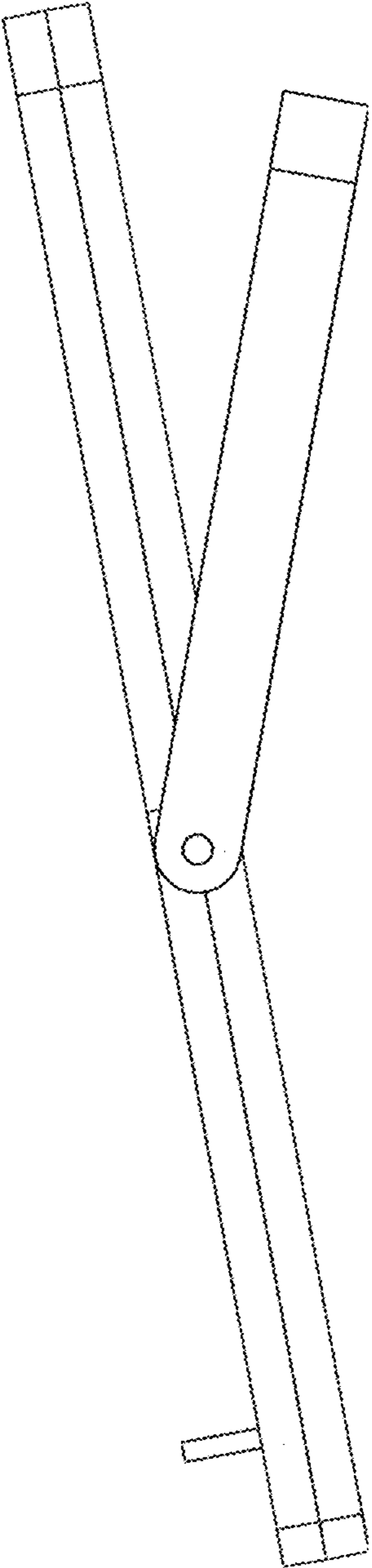


Fig. 5

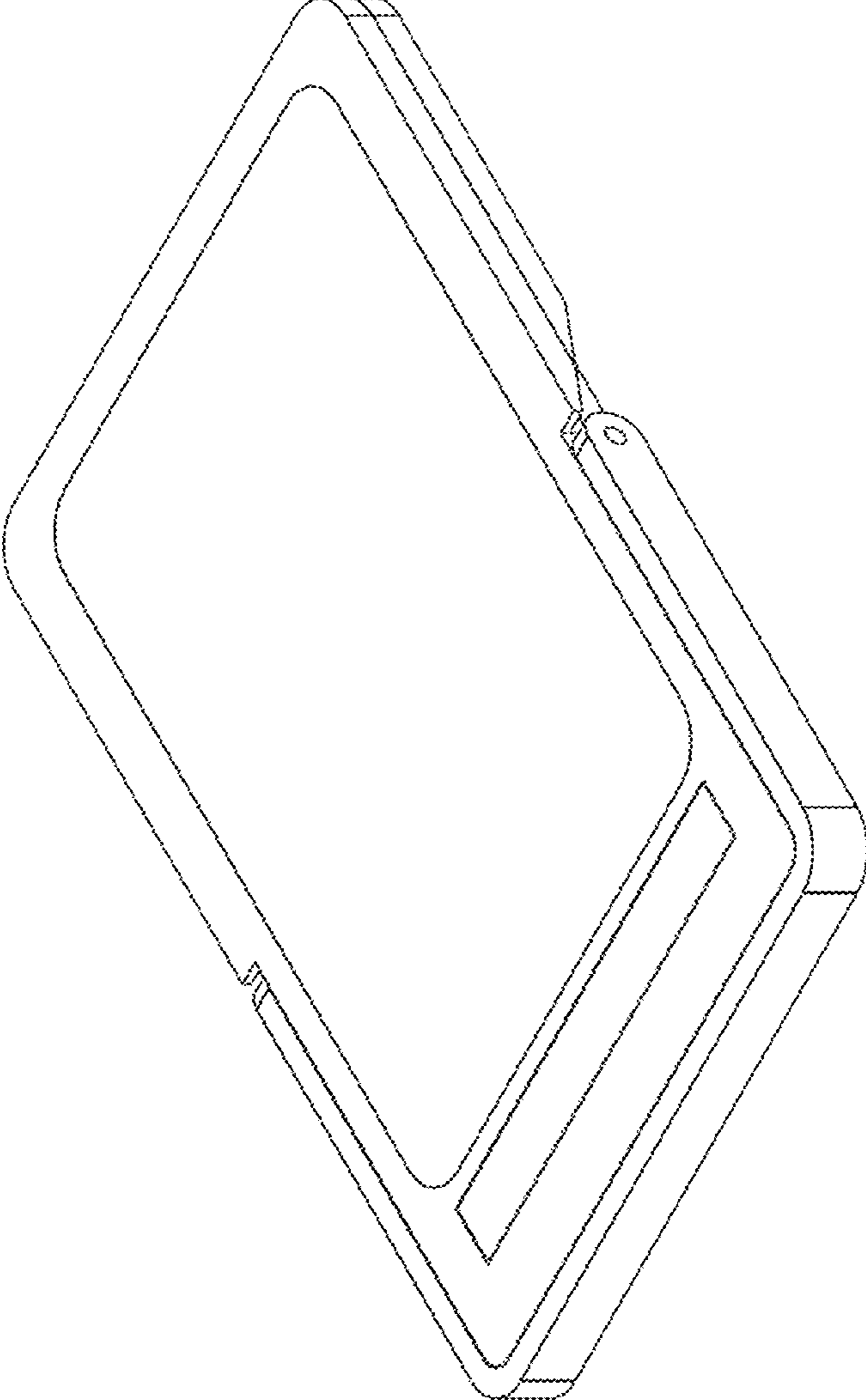


Fig. 6



Fig. 7

