



US00D697476S

(12) **United States Design Patent**
Jeong et al.

(10) **Patent No.:** **US D697,476 S**
(45) **Date of Patent:** **** Jan. 14, 2014**

(54) **ADAPTER FOR CHARGING DEVICE FOR PORTABLE ELECTRONIC APPARATUS**

(71) Applicants: **Deok Hyeon Jeong**, Seoul (KR); **Na Young Kim**, Seoul (KR)

(72) Inventors: **Deok Hyeon Jeong**, Seoul (KR); **Na Young Kim**, Seoul (KR)

(73) Assignees: **Deok Hyeon Jeong**, Seoul (KR); **Ji Yeong Chae**, Daegu (KR)

(**) Term: **14 Years**

(21) Appl. No.: **29/455,058**

(22) Filed: **May 16, 2013**

(30) **Foreign Application Priority Data**

Nov. 16, 2012 (KR) 30-2012-0054835

(51) **LOC (10) Cl.** **13-02**

(52) **U.S. Cl.**
USPC **D13/108**

(58) **Field of Classification Search**
USPC D13/103, 107-110, 118-119, 184, 199;
D14/217, 251, 253, 432, 434;
320/107-115
See application file for complete search history.

(56) **References Cited**

U.S. PATENT DOCUMENTS

D227,117 S * 6/1973 Breger D14/251
D335,861 S * 5/1993 Tattari D13/108
D455,397 S * 4/2002 Weiner et al. D13/108

D507,526 S * 7/2005 Ohta D13/108
D559,484 S * 1/2008 Fjellman D32/31
D559,485 S * 1/2008 Fjellman D32/31
D578,061 S * 10/2008 Kristensen D13/110
D640,194 S * 6/2011 Kim et al. D13/108
D644,645 S * 9/2011 Huang et al. D14/434
D666,995 S * 9/2012 TerMeer D14/217
D669,028 S * 10/2012 Ino et al. D13/108
D677,622 S * 3/2013 Cole et al. D13/108
2002/0117996 A1 * 8/2002 Cheng 320/114

* cited by examiner

Primary Examiner — Rosemary K Tarcza

(74) *Attorney, Agent, or Firm* — Scully, Scott, Murphy & Presser, P.C.

(57) **CLAIM**

The ornamental design for an adapter for charging device for portable electronic apparatus, as shown and described.

DESCRIPTION

FIG. 1 illustrates a perspective view of an adapter for charging device for portable electronic apparatus showing my new ornamental design;
FIG. 2 illustrates a front view thereof;
FIG. 3 illustrates a rear view thereof;
FIG. 4 illustrates a left side view thereof;
FIG. 5 illustrates a right side view thereof;
FIG. 6 illustrates a top view thereof;
FIG. 7 illustrates a bottom view thereof; and,
FIG. 8 illustrates a perspective reference view thereof.
The portions indicated in broken lines in FIG. 8 are for illustrative purposes only and form no part of the claimed design.

1 Claim, 7 Drawing Sheets

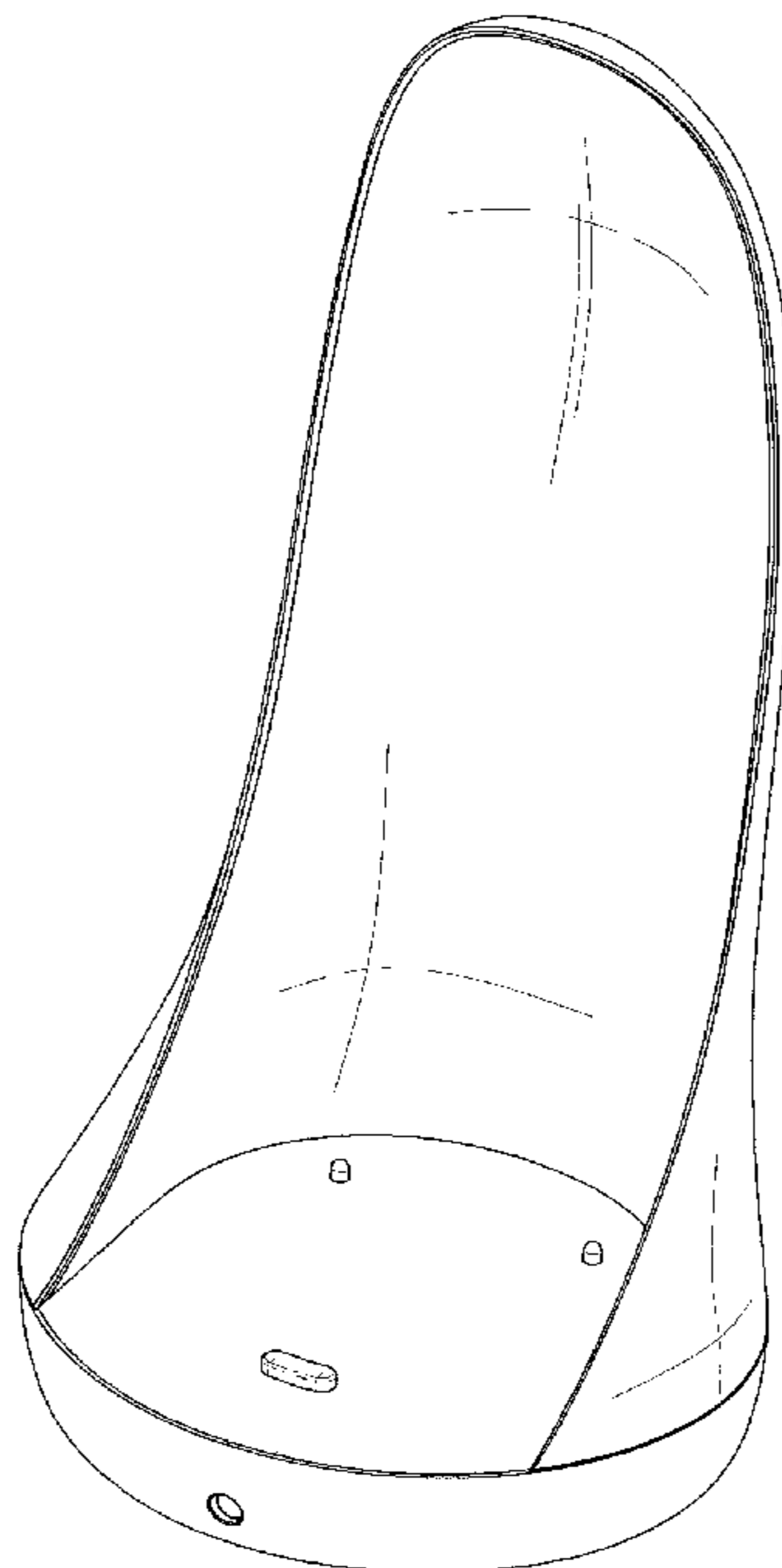


FIG. 1

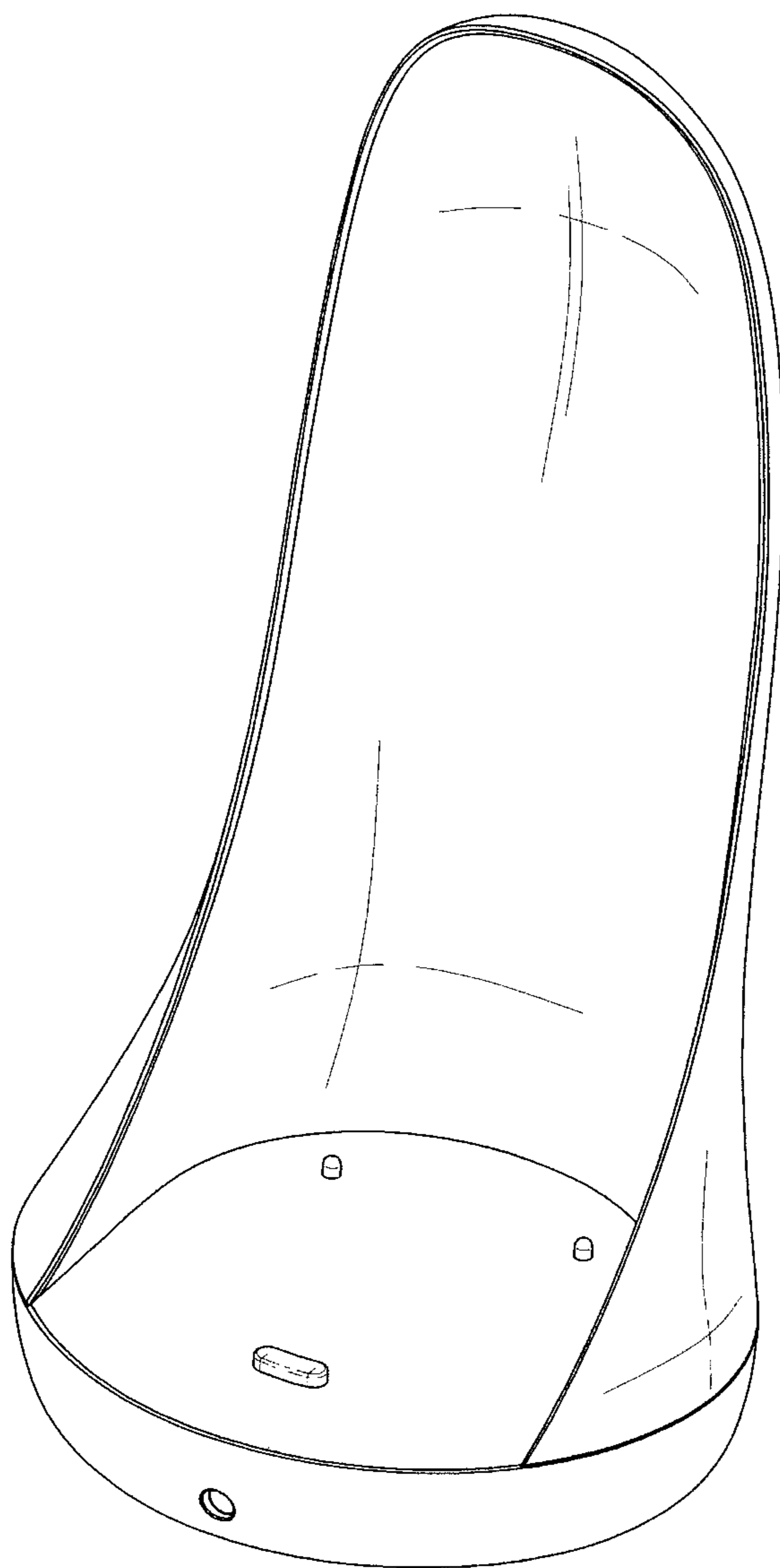


FIG. 2



FIG. 3

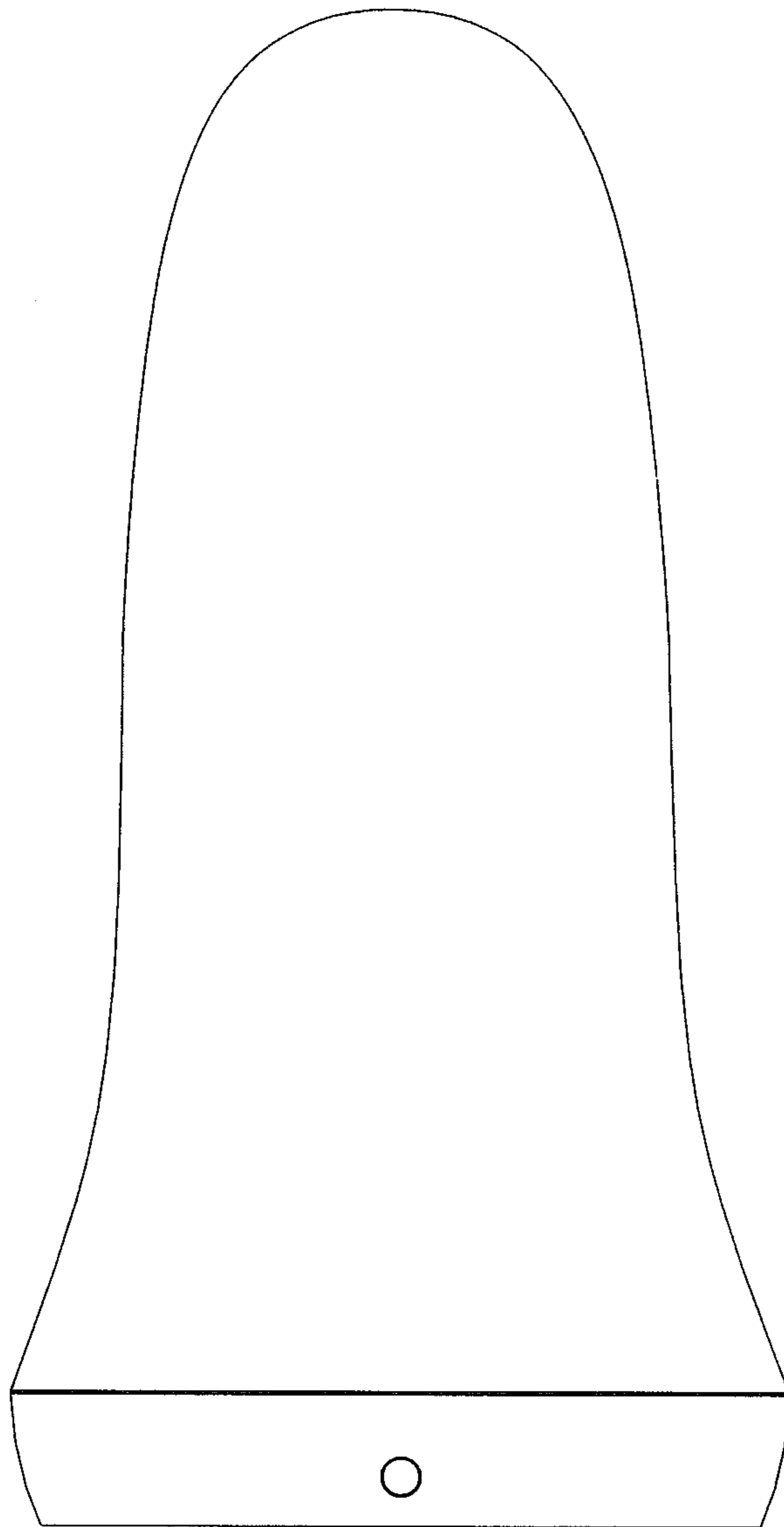


FIG. 4

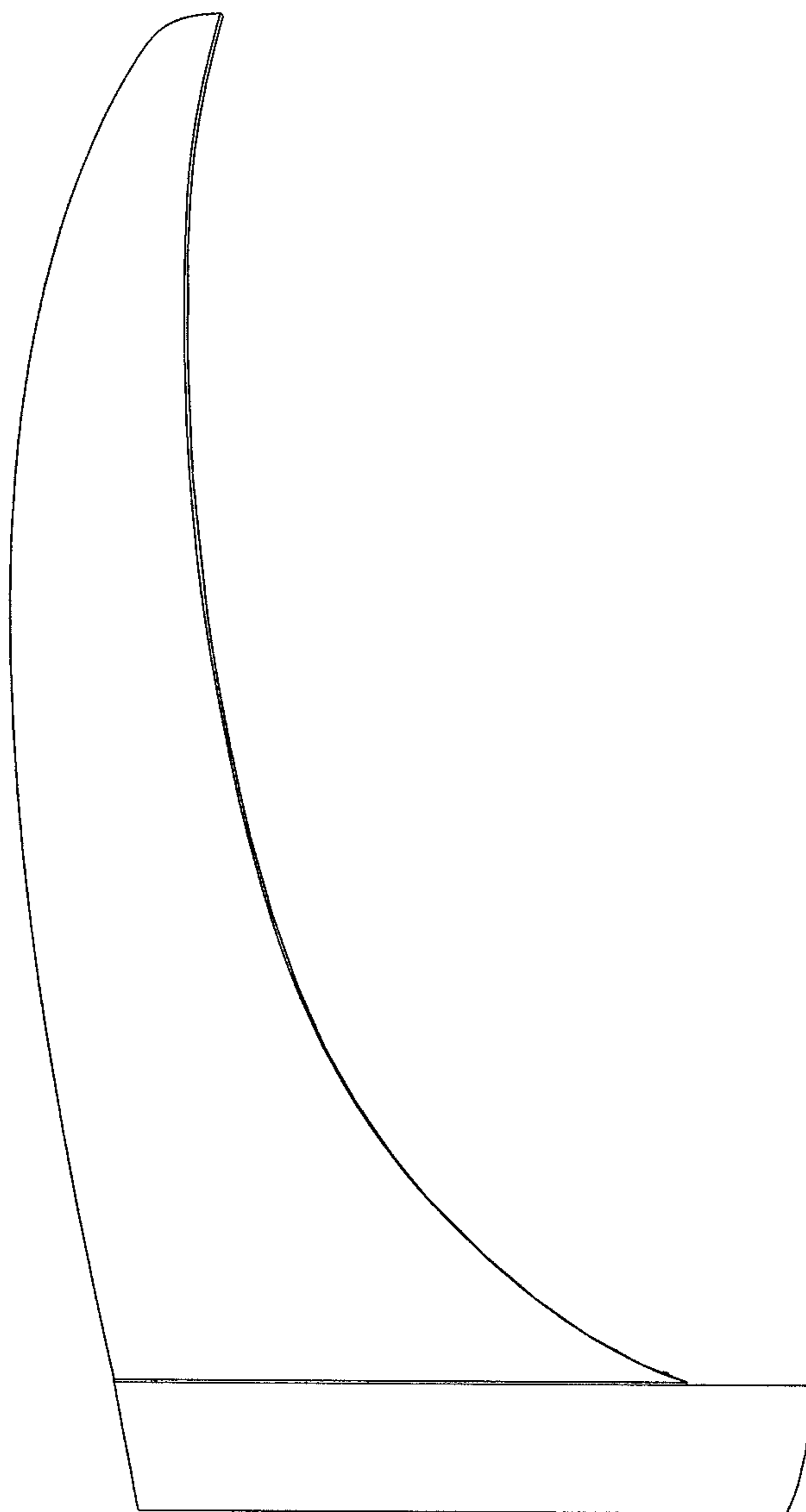


FIG. 5



FIG. 6

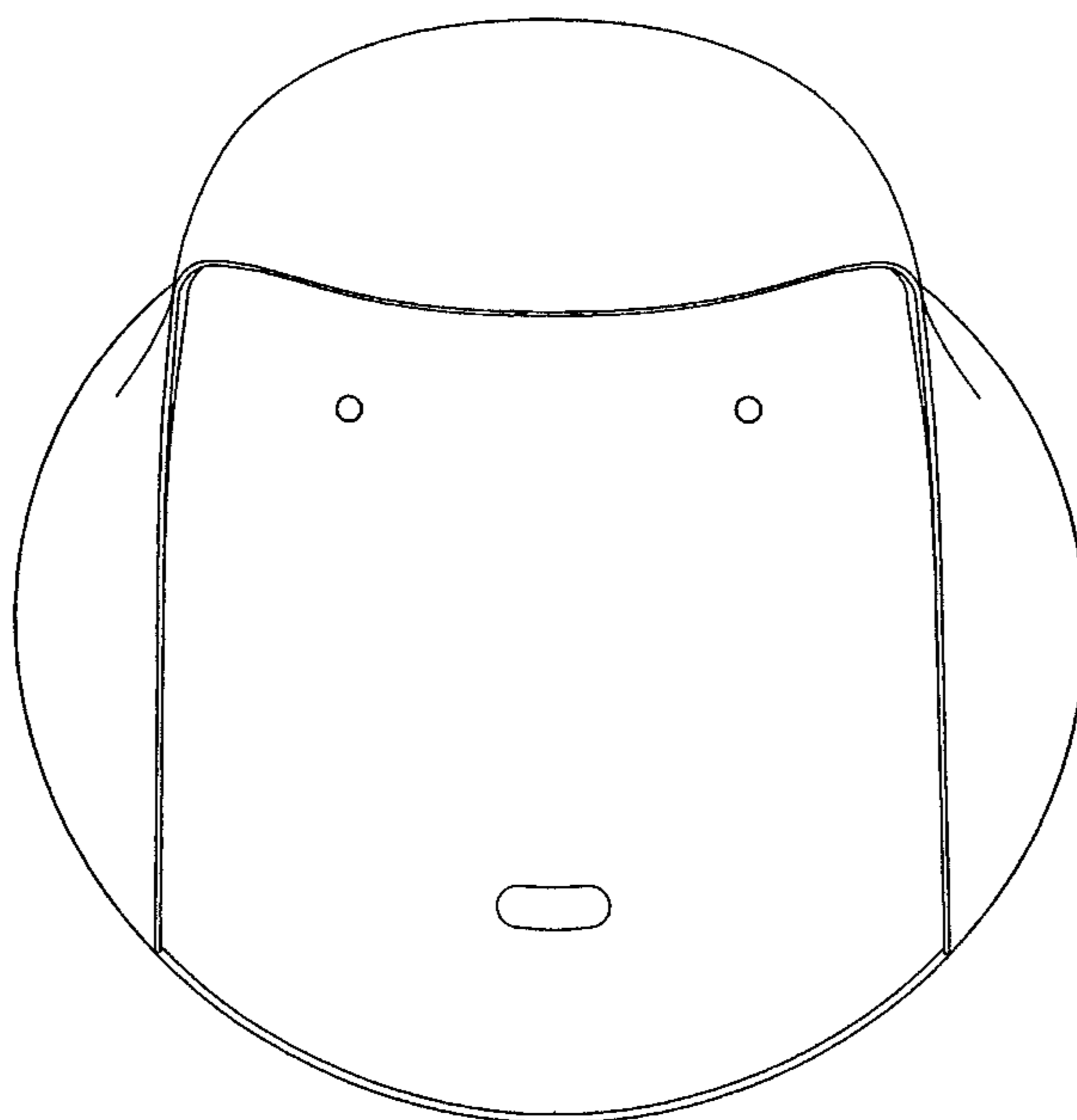


FIG. 7

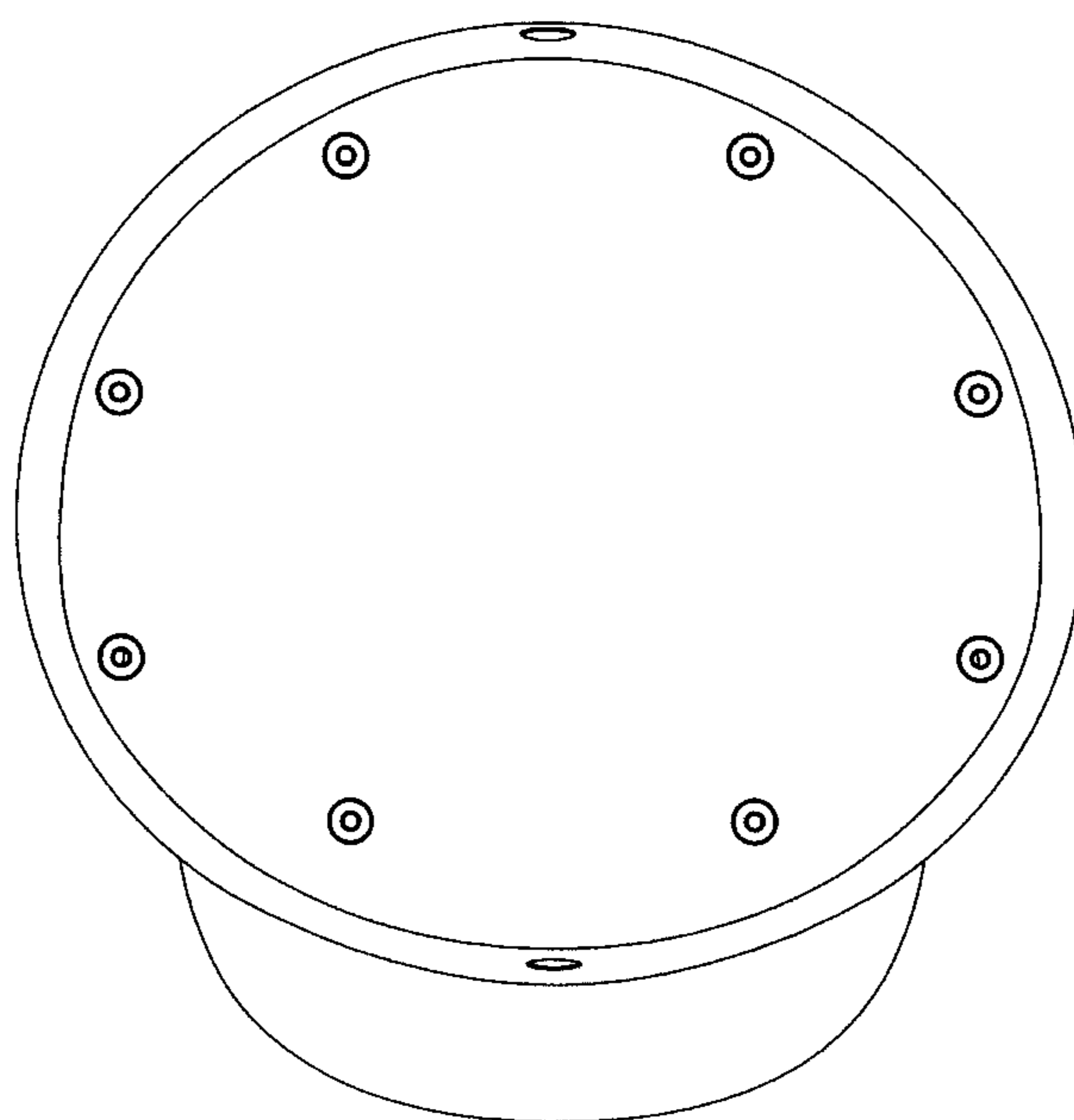


FIG. 8

