



US00D697475S

(12) **United States Design Patent**  
**Regole**

(10) **Patent No.:** **US D697,475 S**

(45) **Date of Patent:** **\*\* Jan. 14, 2014**

(54) **PUCK-SHAPED CHARGING DEVICE**

(71) Applicant: **Anthony Regole**, Eagle River, WI (US)

(72) Inventor: **Anthony Regole**, Eagle River, WI (US)

(\*\*) Term: **14 Years**

(21) Appl. No.: **29/453,667**

(22) Filed: **May 1, 2013**

(51) **LOC (10) Cl.** ..... **13-02**

(52) **U.S. Cl.**  
USPC ..... **D13/108**

(58) **Field of Classification Search**  
USPC ..... D13/107–110, 118–119, 184, 199;  
D14/217, 251, 253, 432, 434;  
320/107–115  
See application file for complete search history.

(56) **References Cited**

**U.S. PATENT DOCUMENTS**

D300,678 S *	4/1989	Barrault	.....	D32/73
D521,927 S *	5/2006	Franck et al.	.....	D13/108
D524,282 S *	7/2006	Beasley et al.	.....	D14/149
D526,973 S *	8/2006	Gates et al.	.....	D13/184
D537,409 S *	2/2007	Suzuki	.....	D13/108
D542,279 S *	5/2007	Chan	.....	D14/216
D558,207 S *	12/2007	Ikeda et al.	.....	D14/434
D558,208 S *	12/2007	Ikeda et al.	.....	D14/434
D558,209 S *	12/2007	Ikeda et al.	.....	D14/434

D575,289 S *	8/2008	Kuo et al.	.....	D14/434
D585,898 S *	2/2009	Skurdal	.....	D14/434
D594,404 S *	6/2009	Kuo et al.	.....	D13/107
D602,858 S *	10/2009	Ellis et al.	.....	D13/108
D643,831 S *	8/2011	Chun et al.	.....	D14/217
D662,491 S *	6/2012	Andre et al.	.....	D14/217
D680,541 S *	4/2013	Lee et al.	.....	D14/434
D687,377 S *	8/2013	Huang et al.	.....	D13/108
2009/0134838 A1 *	5/2009	Raghuprasad	.....	320/108

\* cited by examiner

*Primary Examiner* — Rosemary K Tarcza

(74) *Attorney, Agent, or Firm* — Polsinelli PC

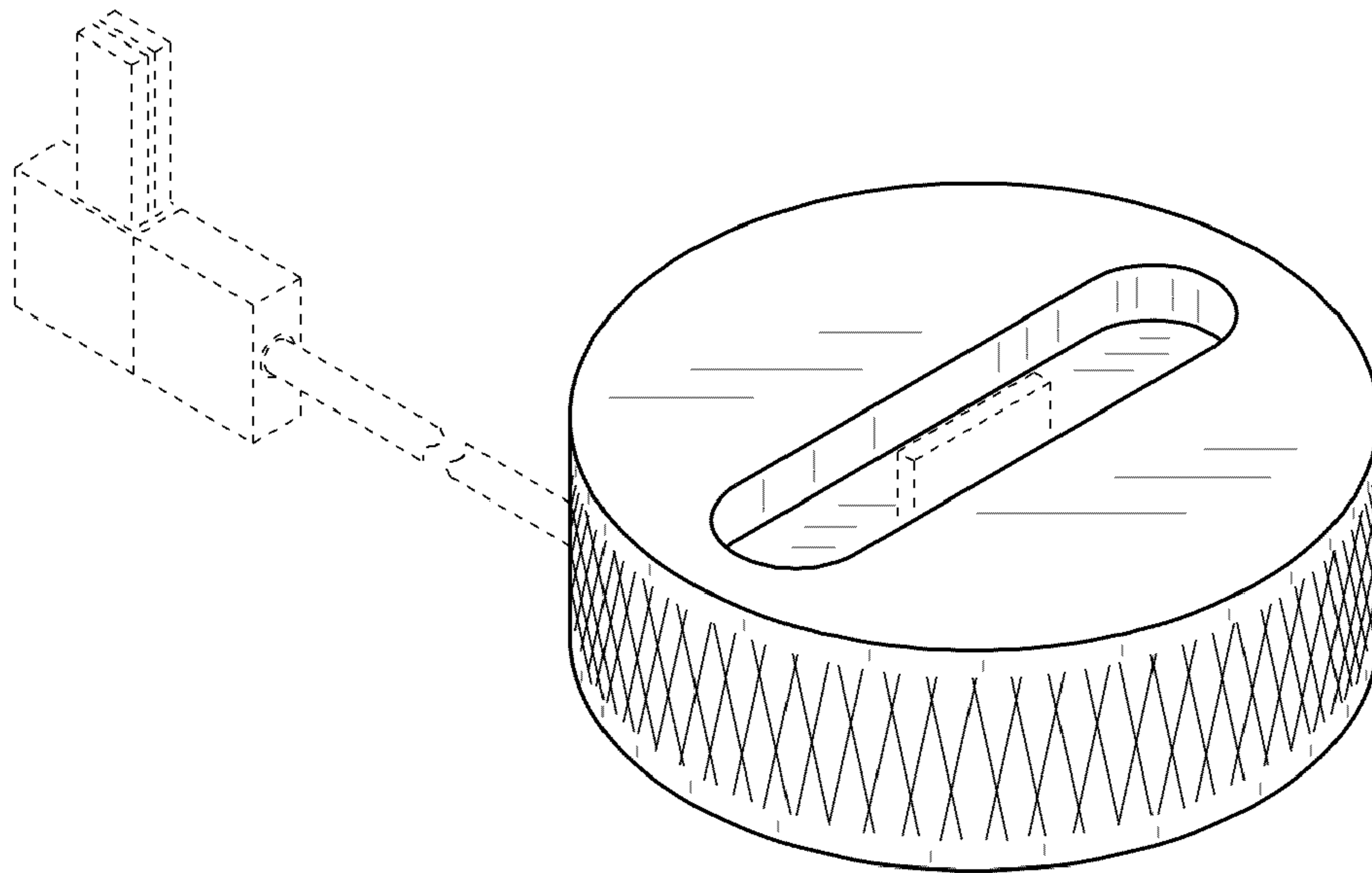
(57) **CLAIM**

The ornamental design for a puck-shaped charging device, as shown and described.

**DESCRIPTION**

FIG. 1 is a perspective view of the puck-shaped charging device;  
 FIG. 2 is a front view of the puck-shaped charging device;  
 FIG. 3 is a rear view of the puck-shaped charging device;  
 FIG. 4 is a first side view of the puck-shaped charging device;  
 FIG. 5 is a second side view of the puck-shaped charging device;  
 FIG. 6 is a top view of the puck-shaped charging device; and,  
 FIG. 7 is a bottom view of the puck-shaped charging device.  
 The broken lines shown in FIGS. 1, 3, 4, 5, 6, and 7 are included for the purpose of illustrating portions of the puck-shaped charging device that form no part of the claimed design.

**1 Claim, 2 Drawing Sheets**



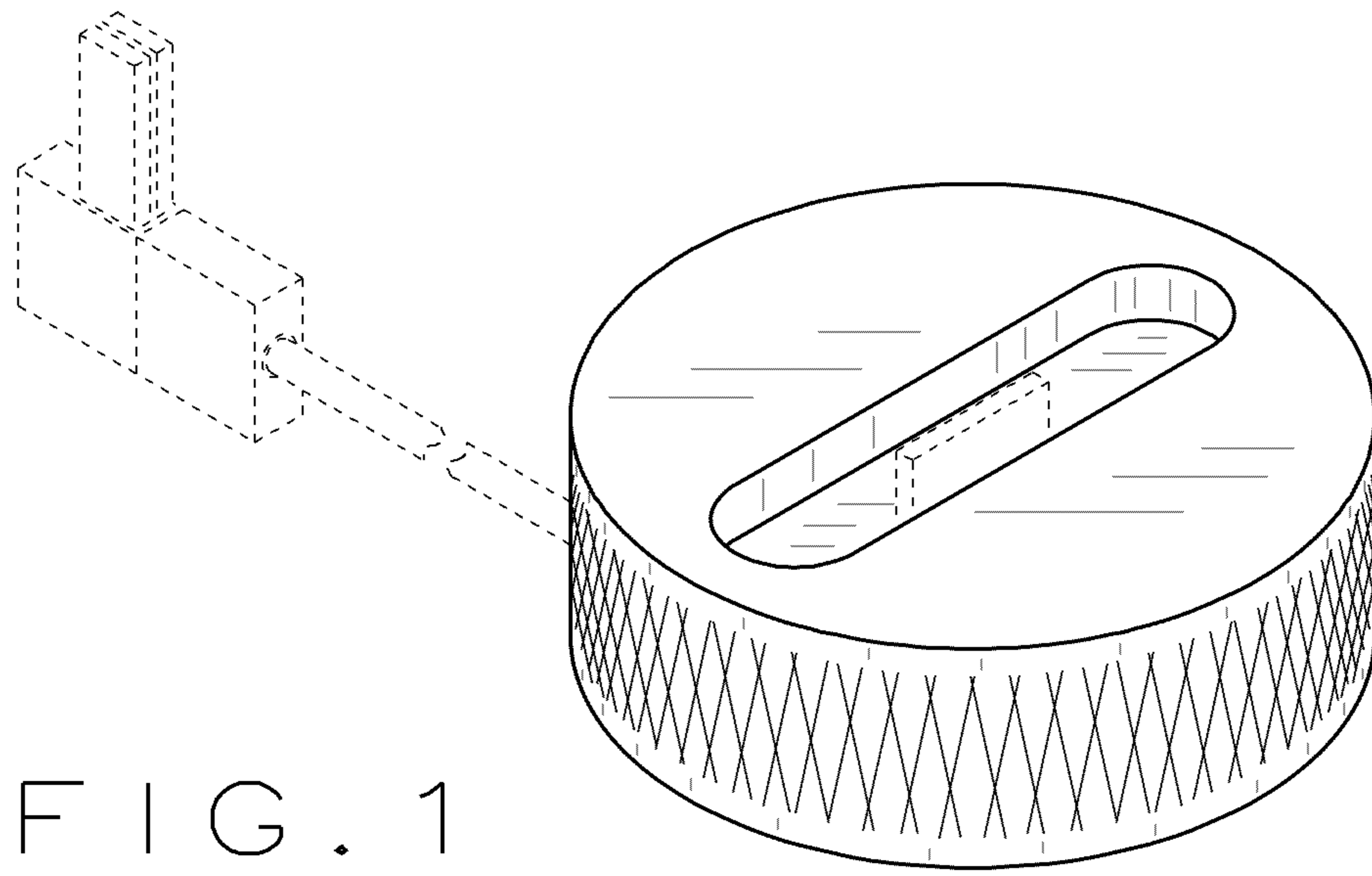


FIG. 1

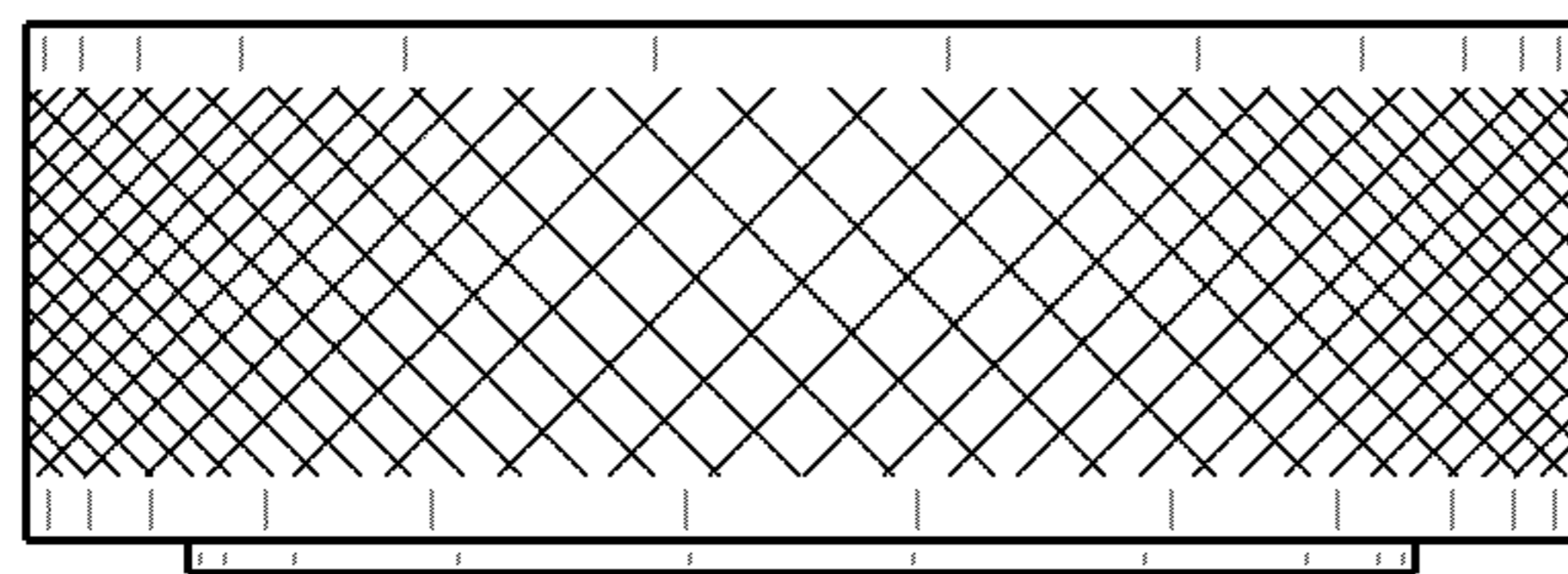


FIG. 2

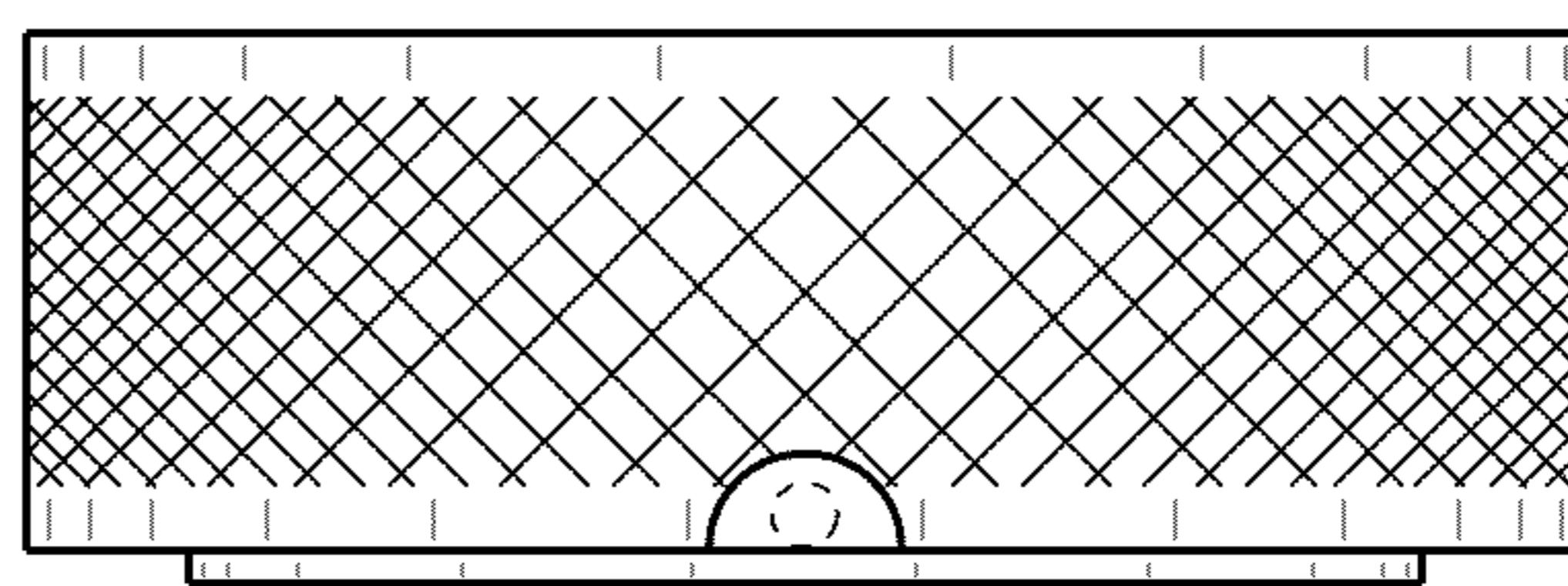


FIG. 3

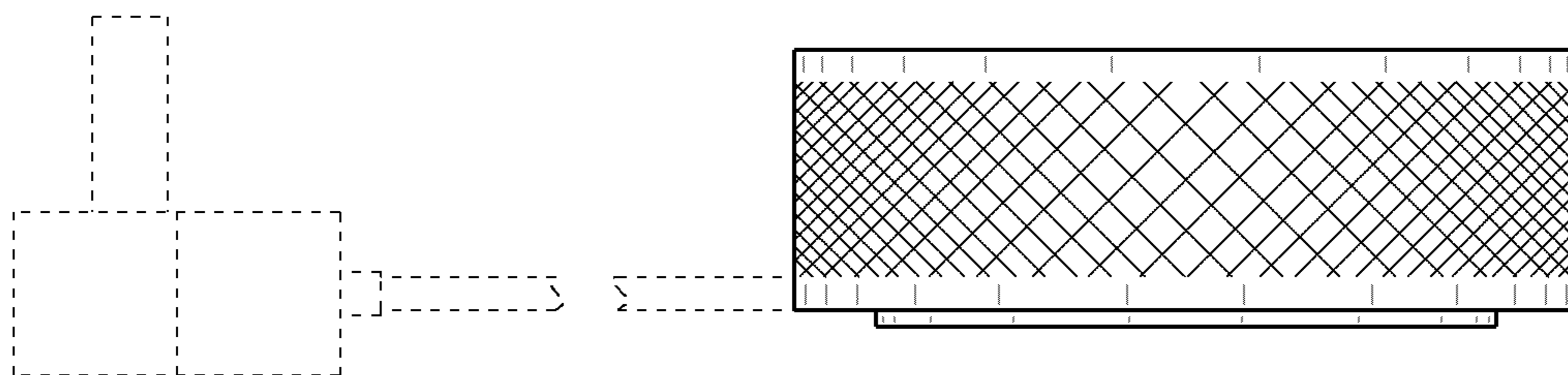


FIG. 4

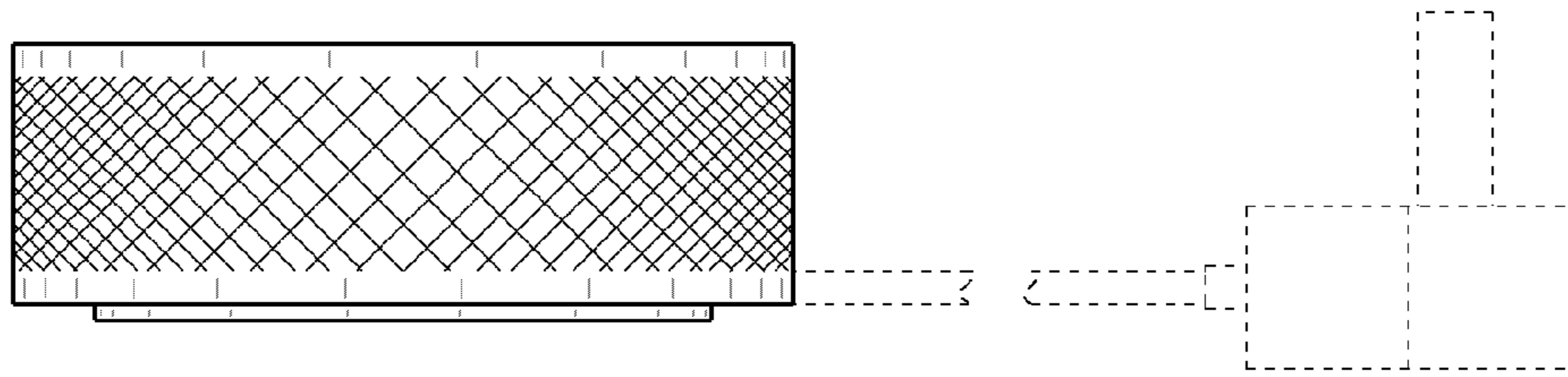


FIG. 5

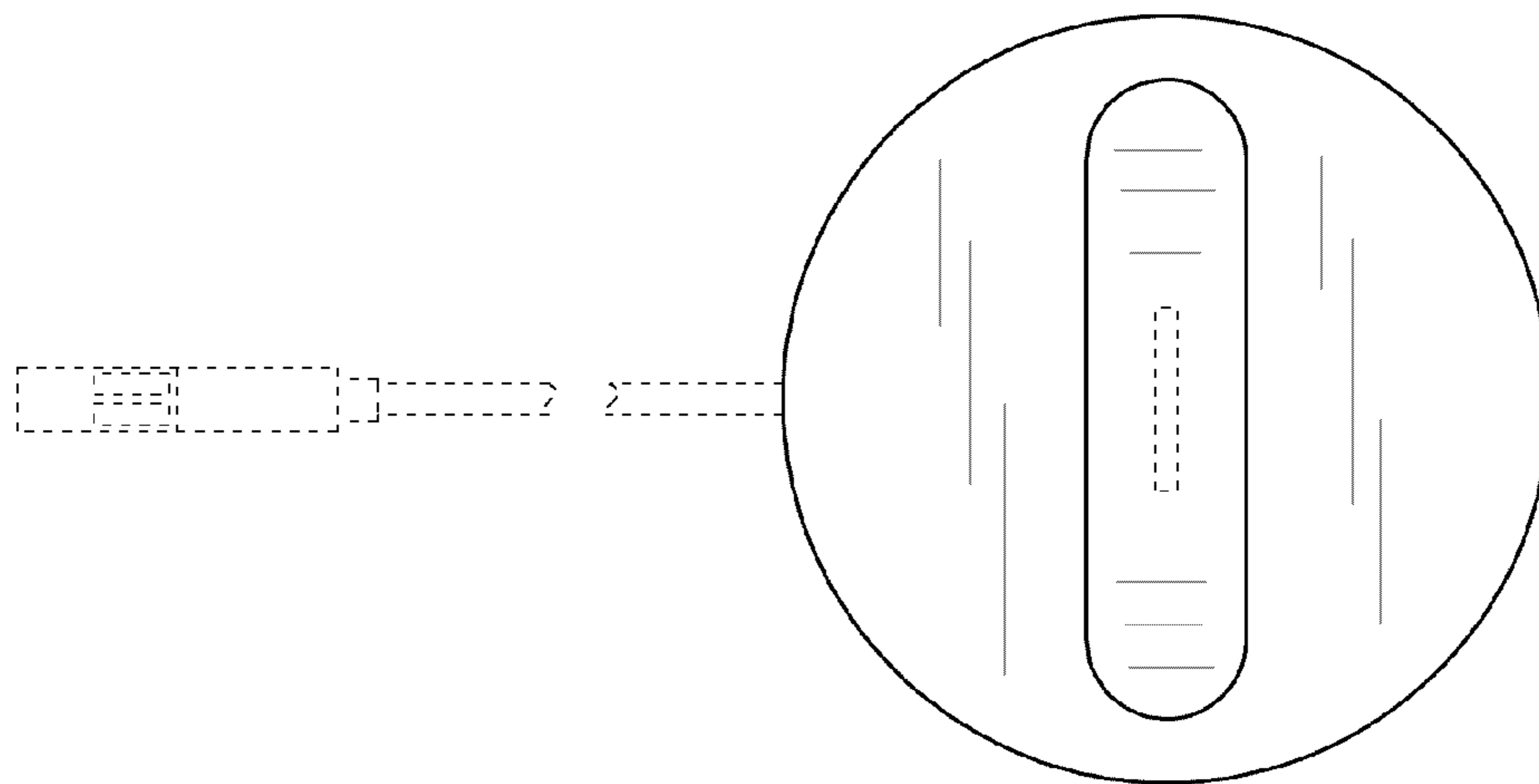


FIG. 6

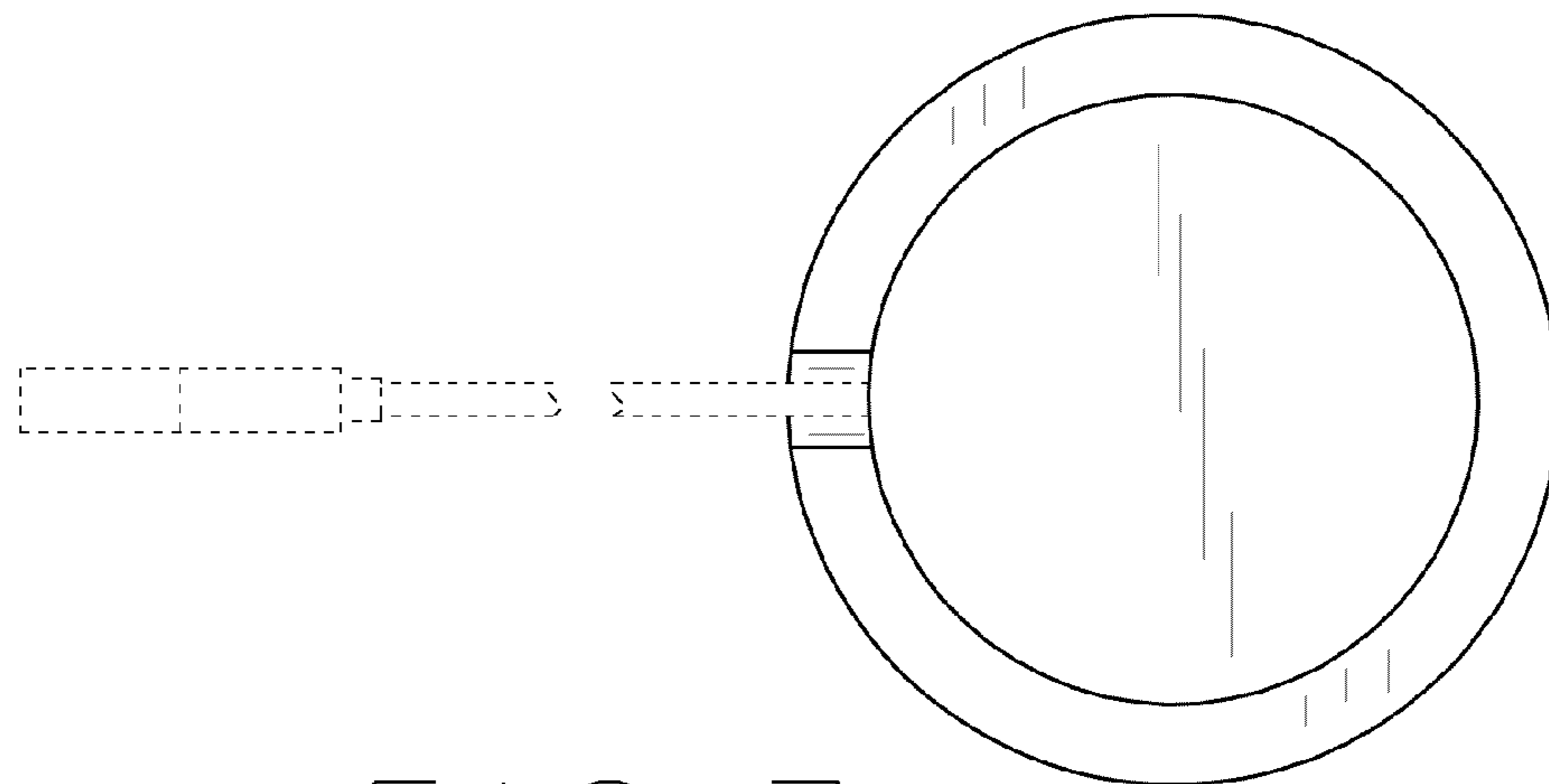


FIG. 7