



US00D697473S

(12) **United States Design Patent**
Guccione et al.

(10) **Patent No.:** **US D697,473 S**
(45) **Date of Patent:** **** *Jan. 14, 2014**

- (54) **DEVICE BATTERY CHARGER**
- (75) Inventors: **Darren S. Guccione**, Wheaton, IL (US);
Craig B. Lurey, El Dorado Hills, CA
(US); **Isaac Kim**, Chicago, IL (US)
- (73) Assignee: **Callpod, Inc.**, Chicago, IL (US)
- (*) Notice: This patent is subject to a terminal disclaimer.
- (**) Term: **14 Years**
- (21) Appl. No.: **29/392,199**
- (22) Filed: **May 18, 2011**

- D611,408 S 3/2010 Ferber et al.
- D611,898 S 3/2010 Yang
- D611,899 S 3/2010 Yang
- D611,900 S 3/2010 Yang
- D613,685 S 4/2010 Ju et al.
- D616,890 S 6/2010 Lewandowski et al.
- D623,133 S 9/2010 Nomi et al.

* cited by examiner

Primary Examiner — Rosemary K Tarca
(74) *Attorney, Agent, or Firm* — Blanchard & Associates

(57) **CLAIM**

The ornamental design for a device battery charger, as shown and described.

Related U.S. Application Data

- (62) Division of application No. 29/360,515, filed on Apr. 27, 2010, now Pat. No. Des. 644,989.
- (51) **LOC (10) Cl.** **13-02**
- (52) **U.S. Cl.**
USPC **D13/108**
- (58) **Field of Classification Search**
USPC D13/102, 107–110, 118–119, 184, 199;
D14/251, 253, 432, 434; 320/107–115
See application file for complete search history.

DESCRIPTION

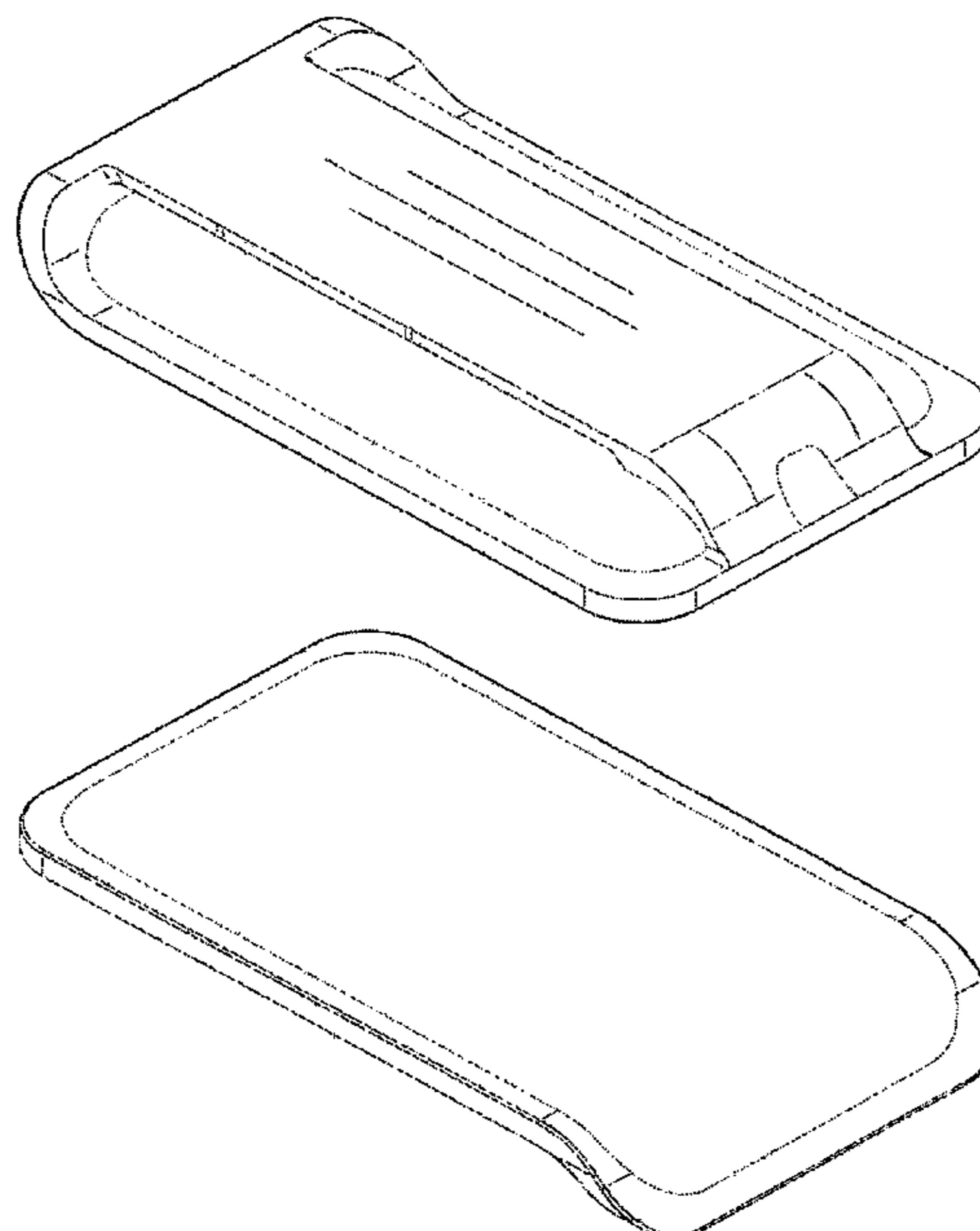
FIG. 1 is an isometric view of a bottom, back, and left side of the device battery charger;
 FIG. 2 is an isometric view of a top, front, and left side of the device battery charger of FIG. 1;
 FIG. 3 is a top plan view of the device battery charger of FIG. 1;
 FIG. 4 is a bottom plan view of the device battery charger of FIG. 1;
 FIG. 5 is a right side elevational view of the device battery charger of FIG. 1;
 FIG. 6 is a left side elevational view of the device battery charger of FIG. 1;
 FIG. 7 is a front elevational view of the device battery charger of FIG. 1; and,
 FIG. 8 is a rear elevational view of the device battery charger of FIG. 1.
 The broken lines are for the purpose of illustrating environmental structure and form no part of the claimed design.

(56) **References Cited**

U.S. PATENT DOCUMENTS

- D402,642 S * 12/1998 Faranda et al. D14/434
- D436,596 S 1/2001 Ito et al.
- D450,707 S 11/2001 Francavilla et al.
- D470,849 S 2/2003 Bertagnole et al.
- D471,558 S * 3/2003 Wada D14/434
- D489,321 S 5/2004 Krieger et al.
- D599,736 S 9/2009 Ferber et al.
- D611,407 S 3/2010 Webb

1 Claim, 3 Drawing Sheets



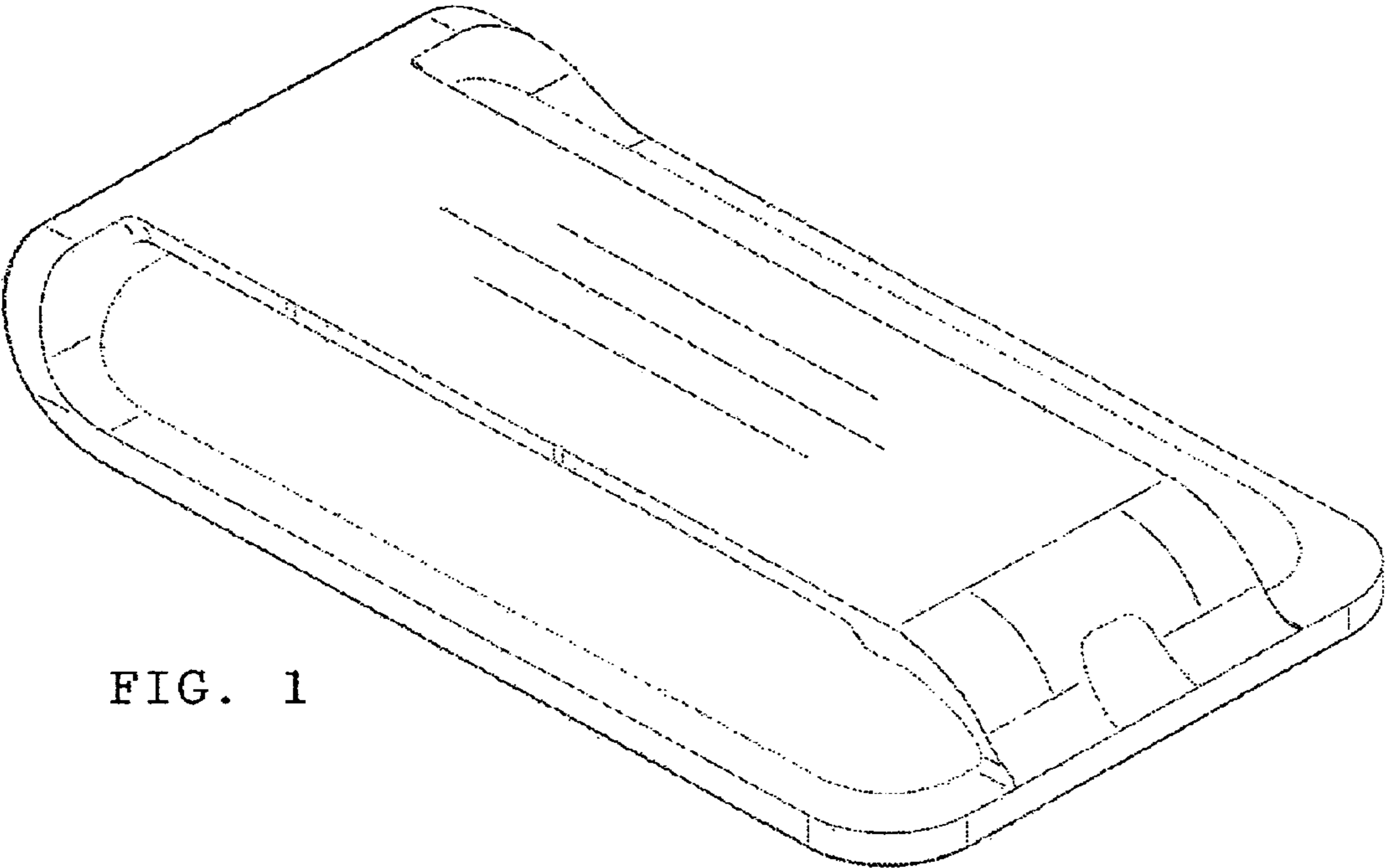


FIG. 1

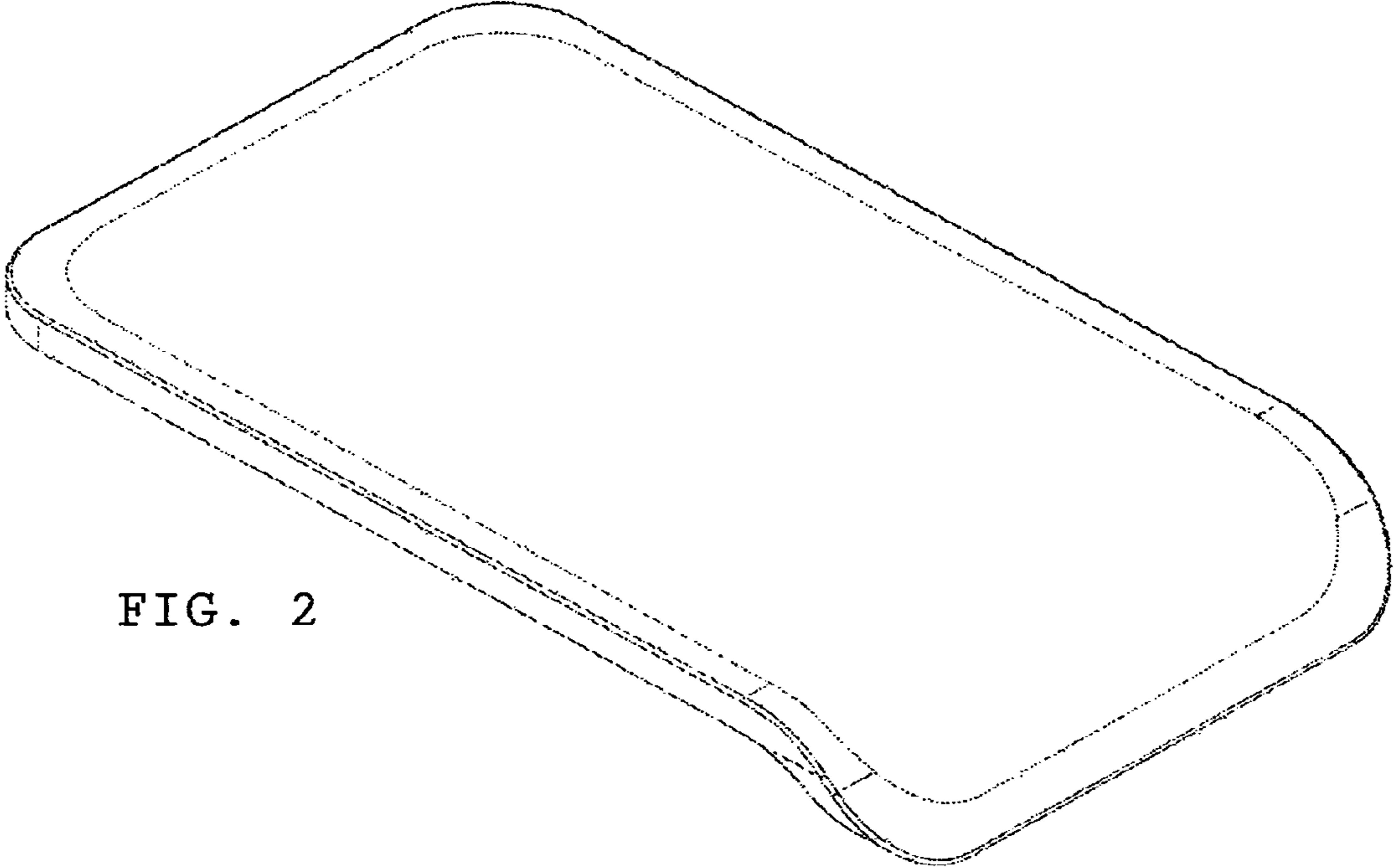


FIG. 2

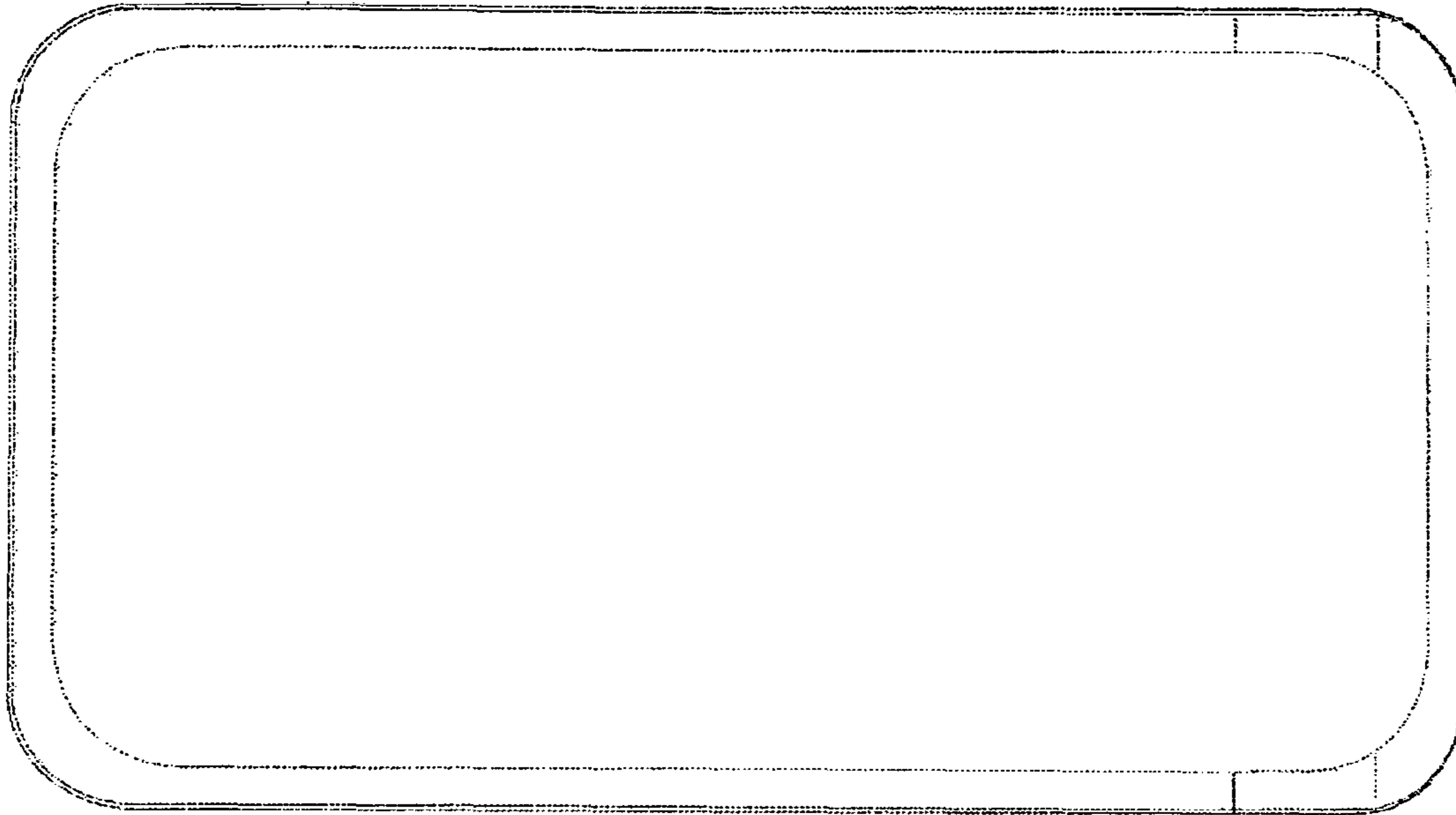


FIG. 3

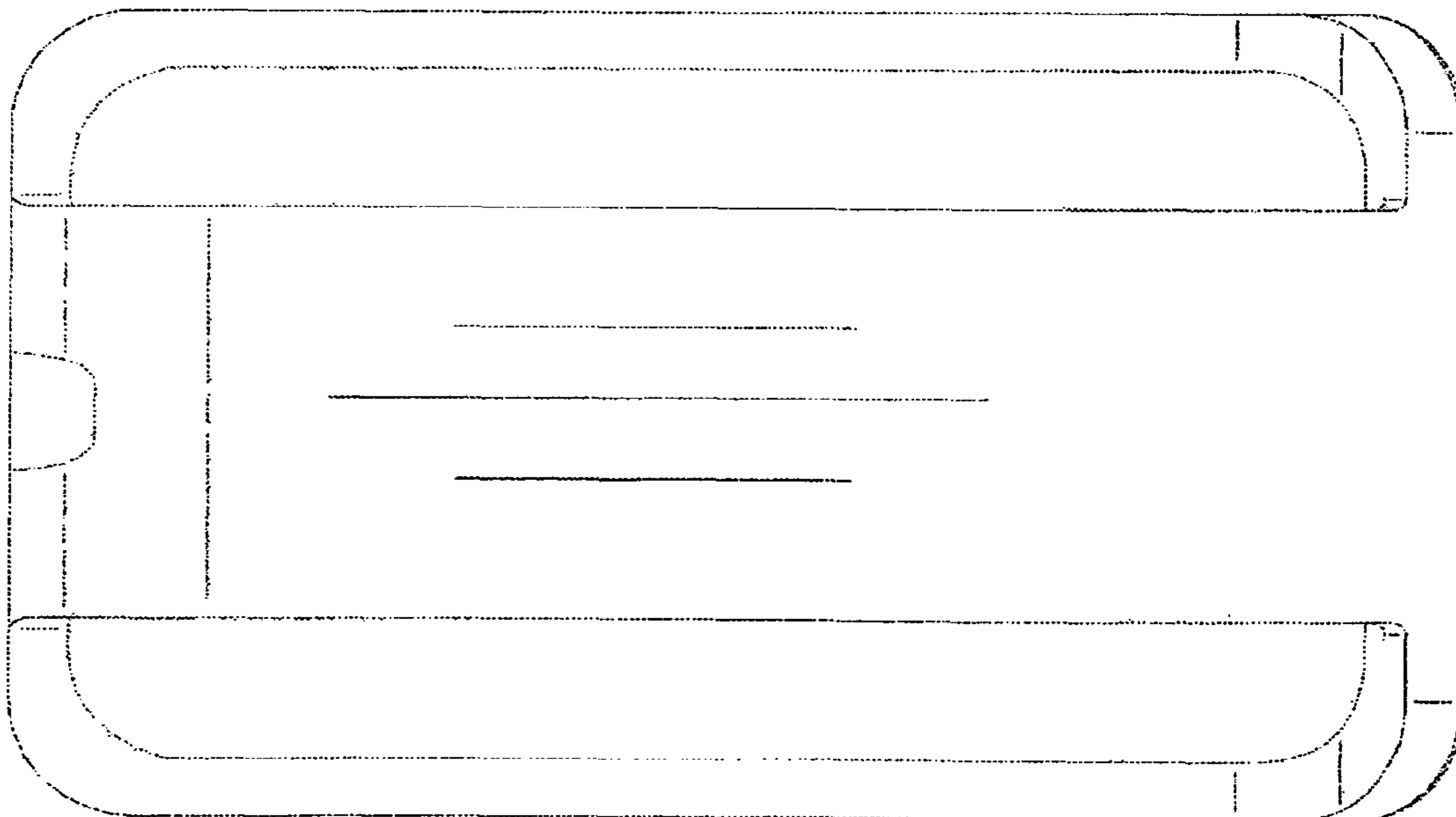


FIG. 4

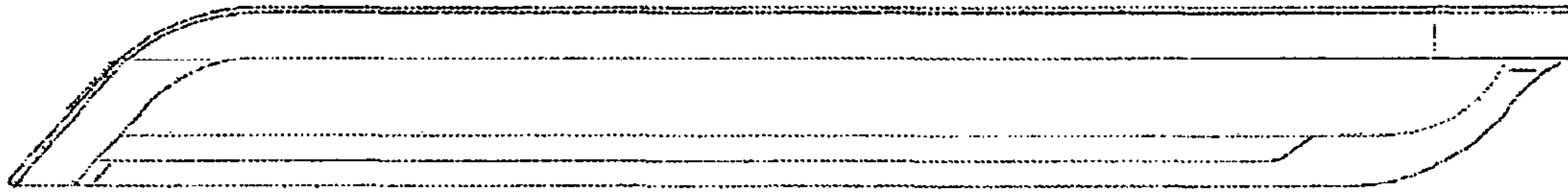


FIG. 5

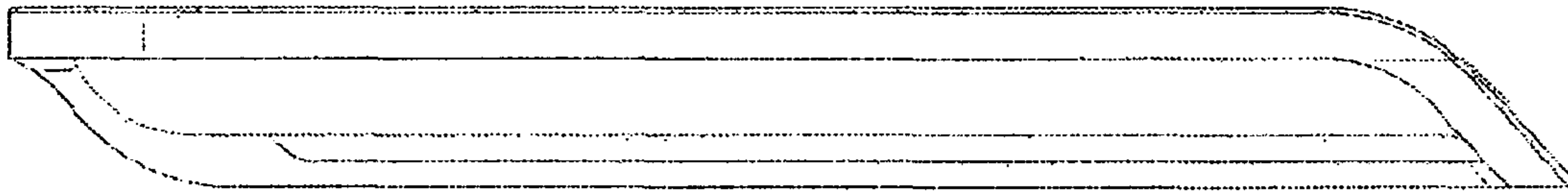


FIG. 6

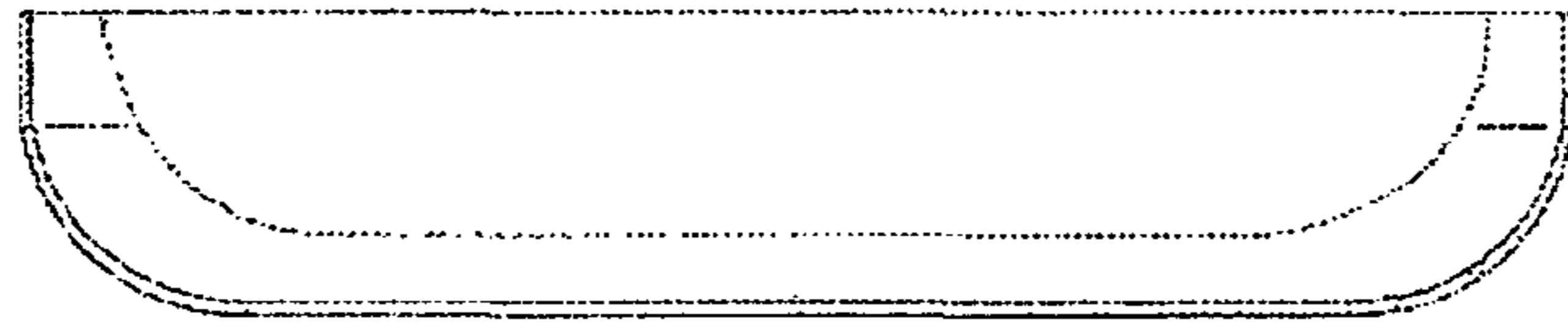


FIG. 7

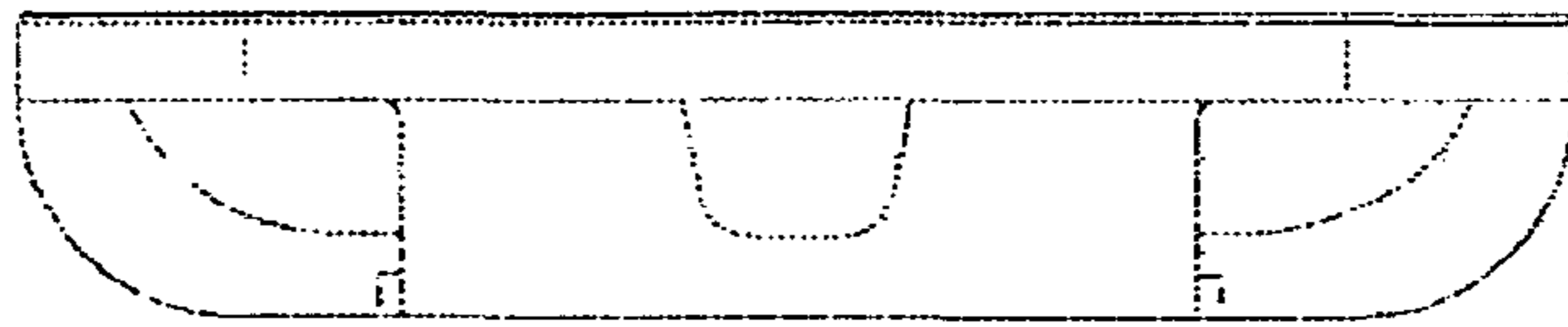


FIG. 8