



US00D697472S

(12) **United States Design Patent**
Lai

(10) **Patent No.:** **US D697,472 S**
(45) **Date of Patent:** **** Jan. 14, 2014**

(54) **PORTABLE JUMP STARTER**

(71) Applicant: **Yanan Lai**, Aurora, CO (US)

(72) Inventor: **Yanan Lai**, Aurora, CO (US)

(**) Term: **14 Years**

(21) Appl. No.: **29/452,228**

(22) Filed: **Apr. 13, 2013**

(51) **LOC (10) Cl.** **13-02**

(52) **U.S. Cl.**
USPC **D13/107**

(58) **Field of Classification Search**
USPC D13/107-110, 118-119, 184, 199;
320/103-115; D15/9
See application file for complete search history.

(56) **References Cited**

U.S. PATENT DOCUMENTS

D425,019 S *	5/2000	Zheng	D13/110
D444,125 S *	6/2001	Shy	D13/110
D518,435 S *	4/2006	Kurth	D13/107
D519,448 S *	4/2006	Leung	D13/107

D528,978 S *	9/2006	Trosper et al.	D13/107
D615,490 S *	5/2010	Chien	D13/107
D664,502 S *	7/2012	Inskeep	D13/107
D687,769 S *	8/2013	Rodbro	D13/107
2011/0187322 A1 *	8/2011	Inskeep	320/109

* cited by examiner

Primary Examiner — Rosemary K Tarcza

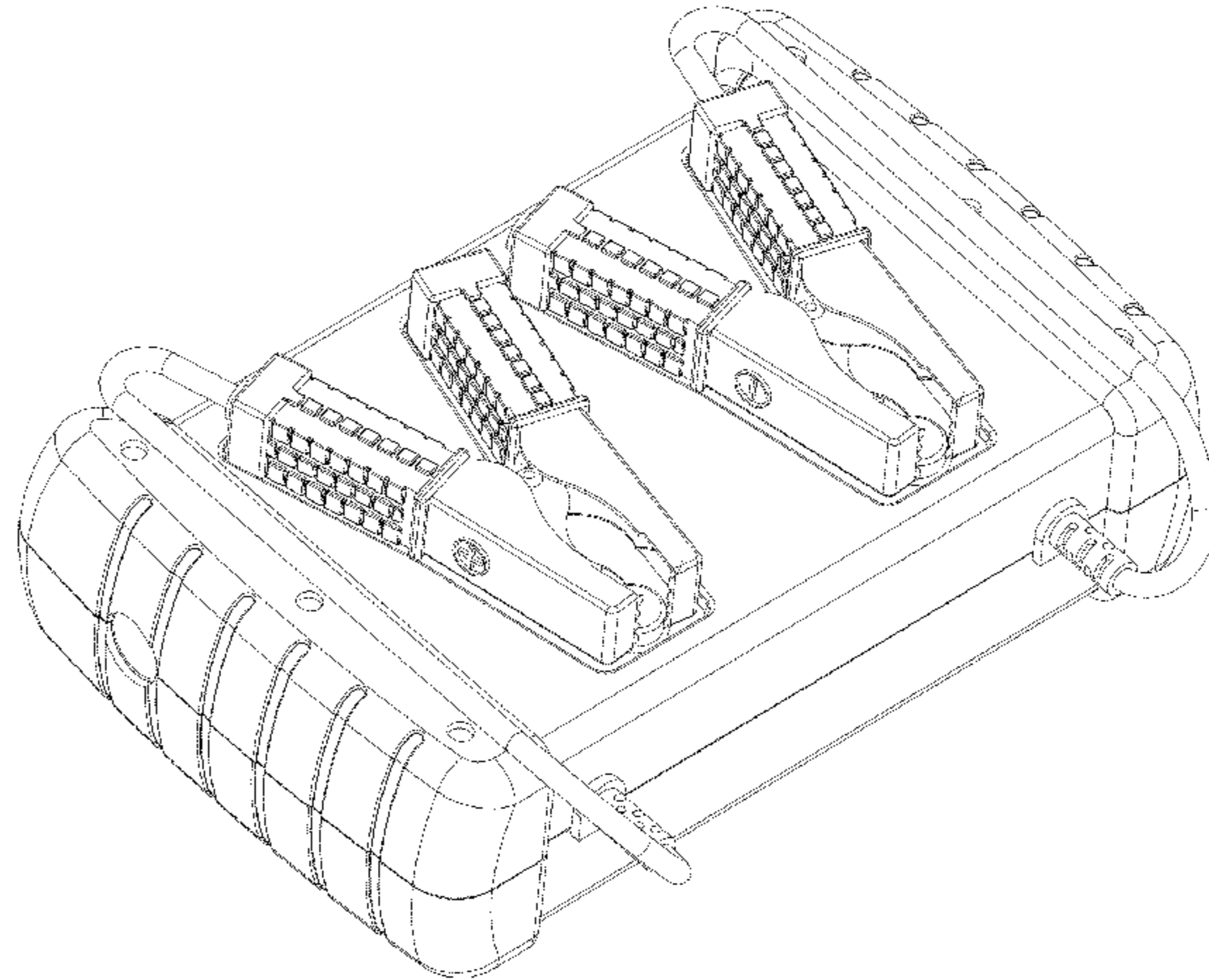
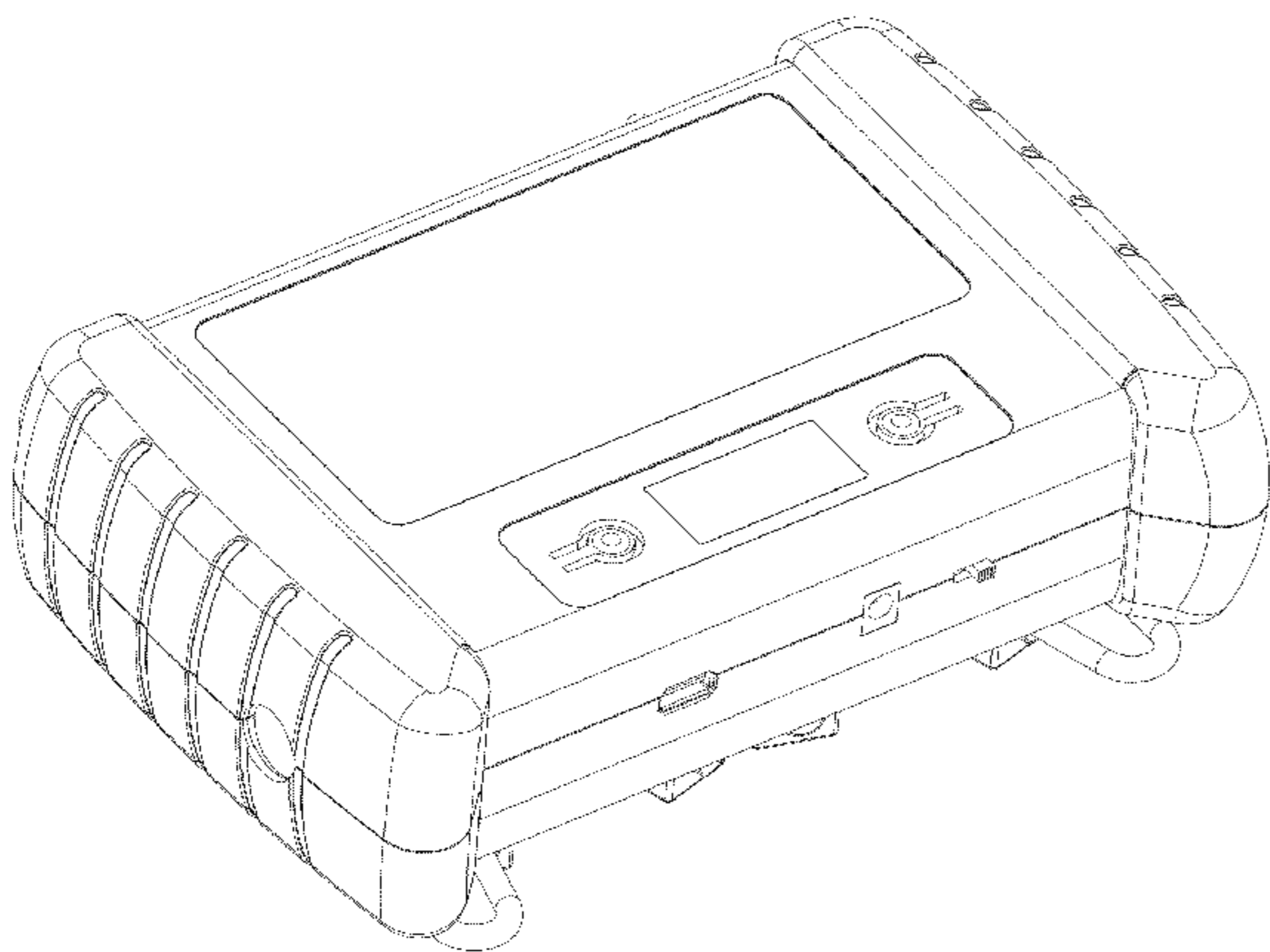
(57) **CLAIM**

The ornamental design for a portable jump starter, as shown and described.

DESCRIPTION

FIG. 1 is a front perspective view is of portable jump starter showing my new design
FIG. 2 is a back perspective view thereof
FIG. 3 is a left view thereof
FIG. 4 is a right view thereof
FIG. 5 is a front upright view thereof
FIG. 6 is a back upright view thereof
FIG. 7 is a top view thereof; and,
FIG. 8 is a bottom view thereof.

1 Claim, 8 Drawing Sheets



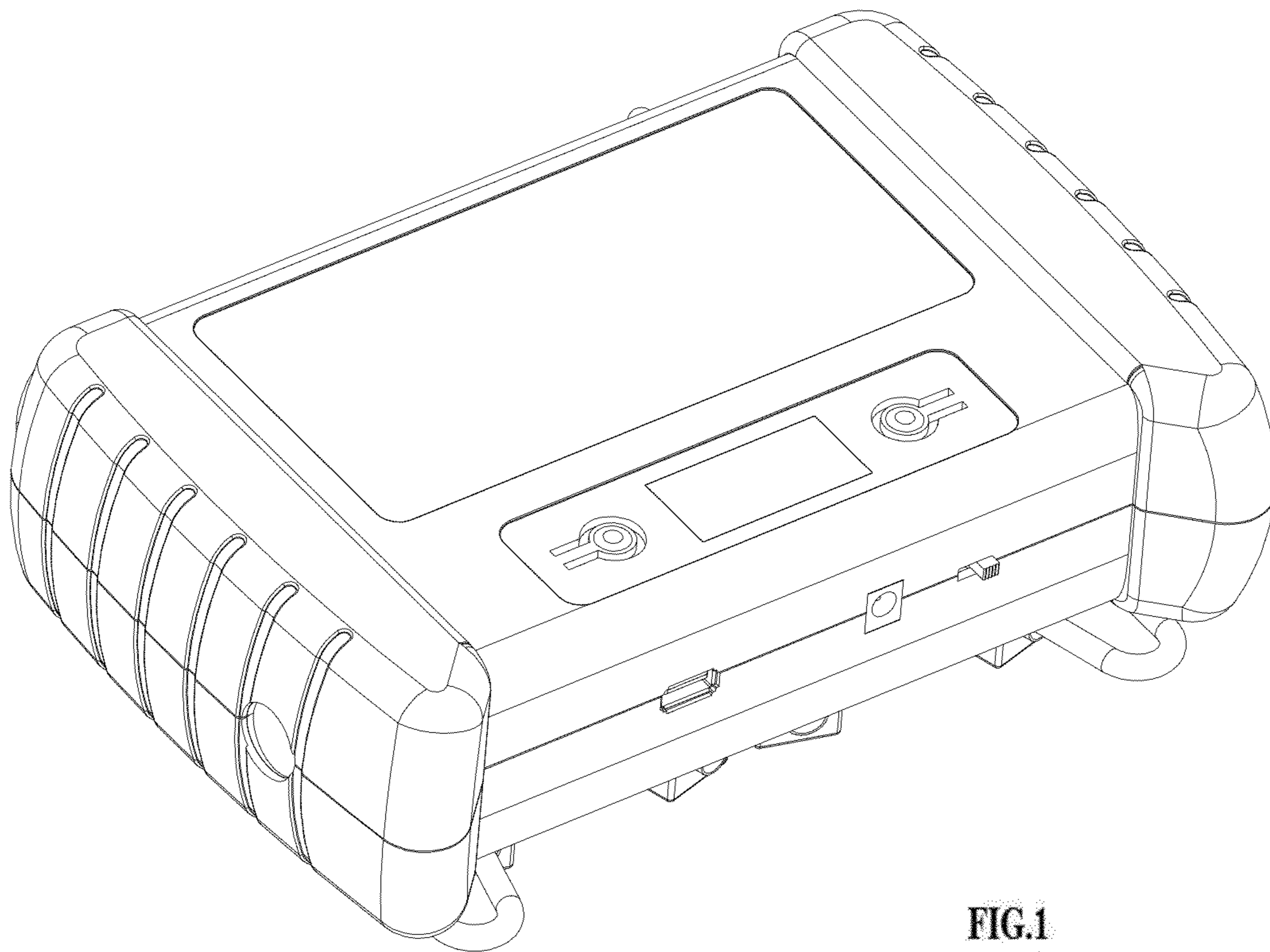


FIG.1

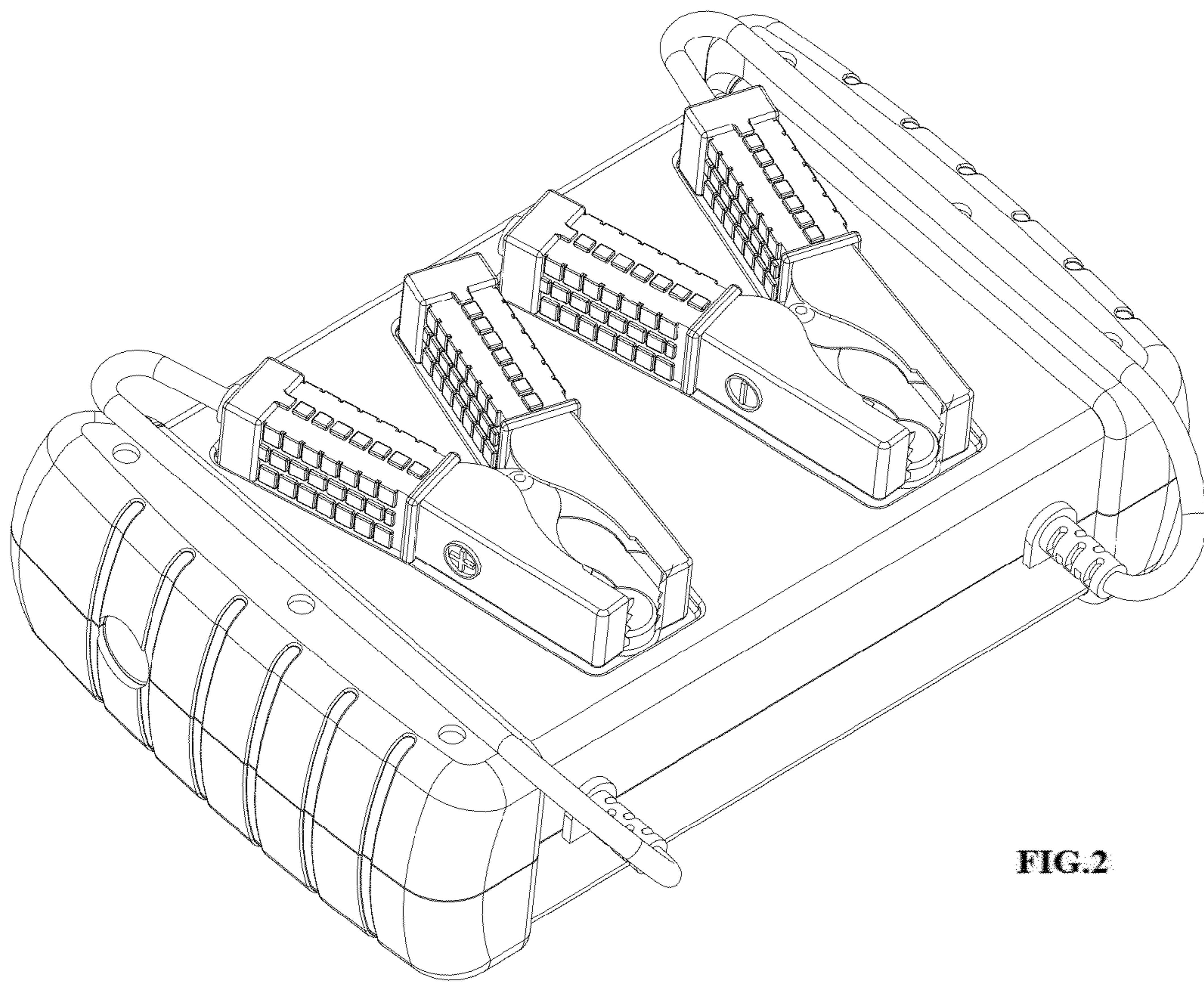


FIG. 2

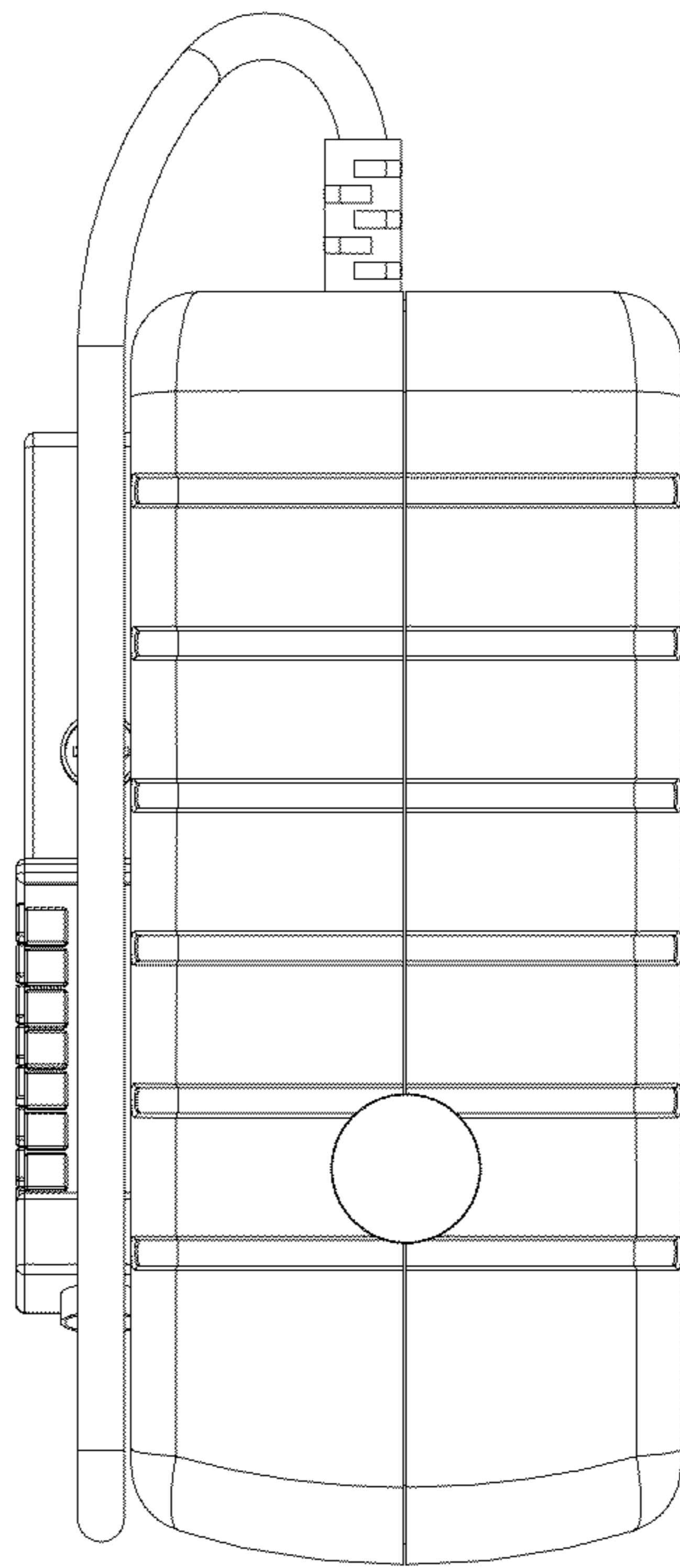


FIG.3

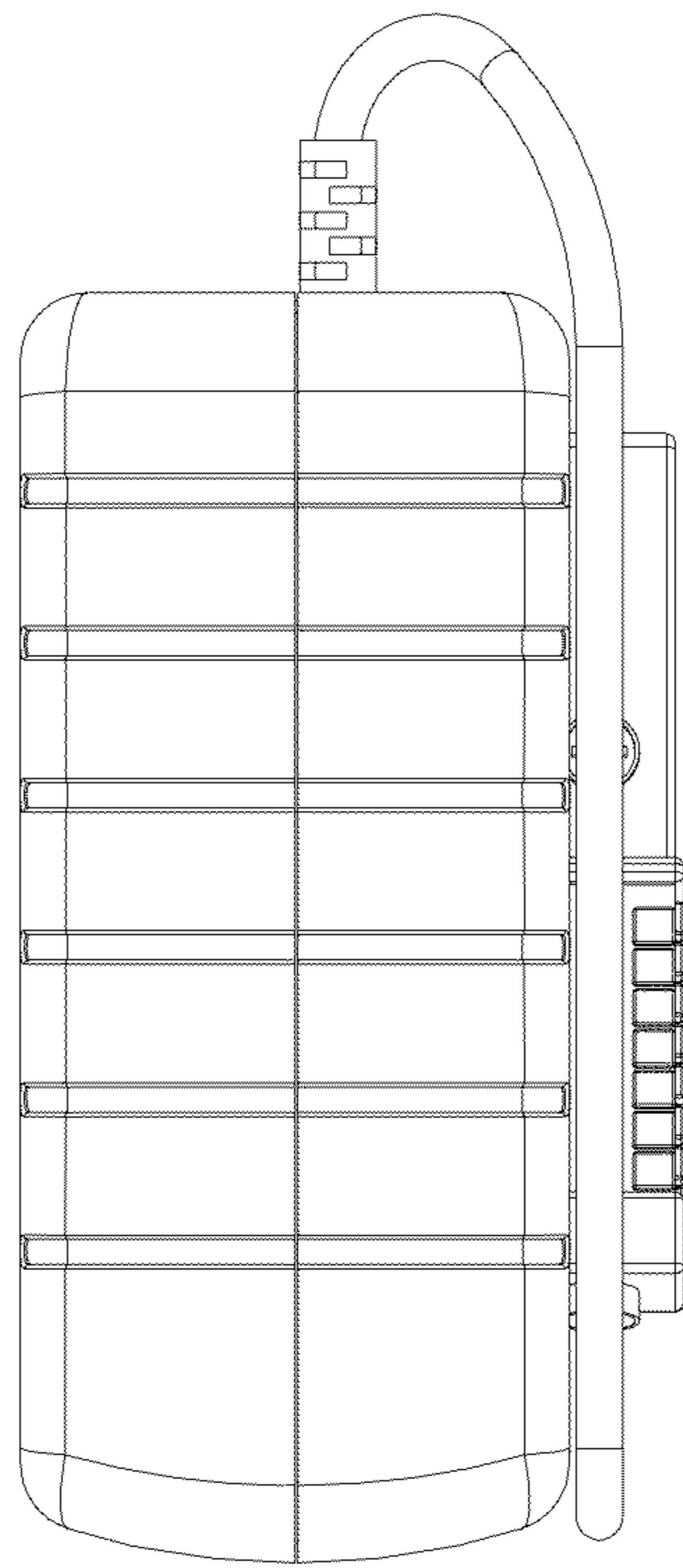


FIG.4

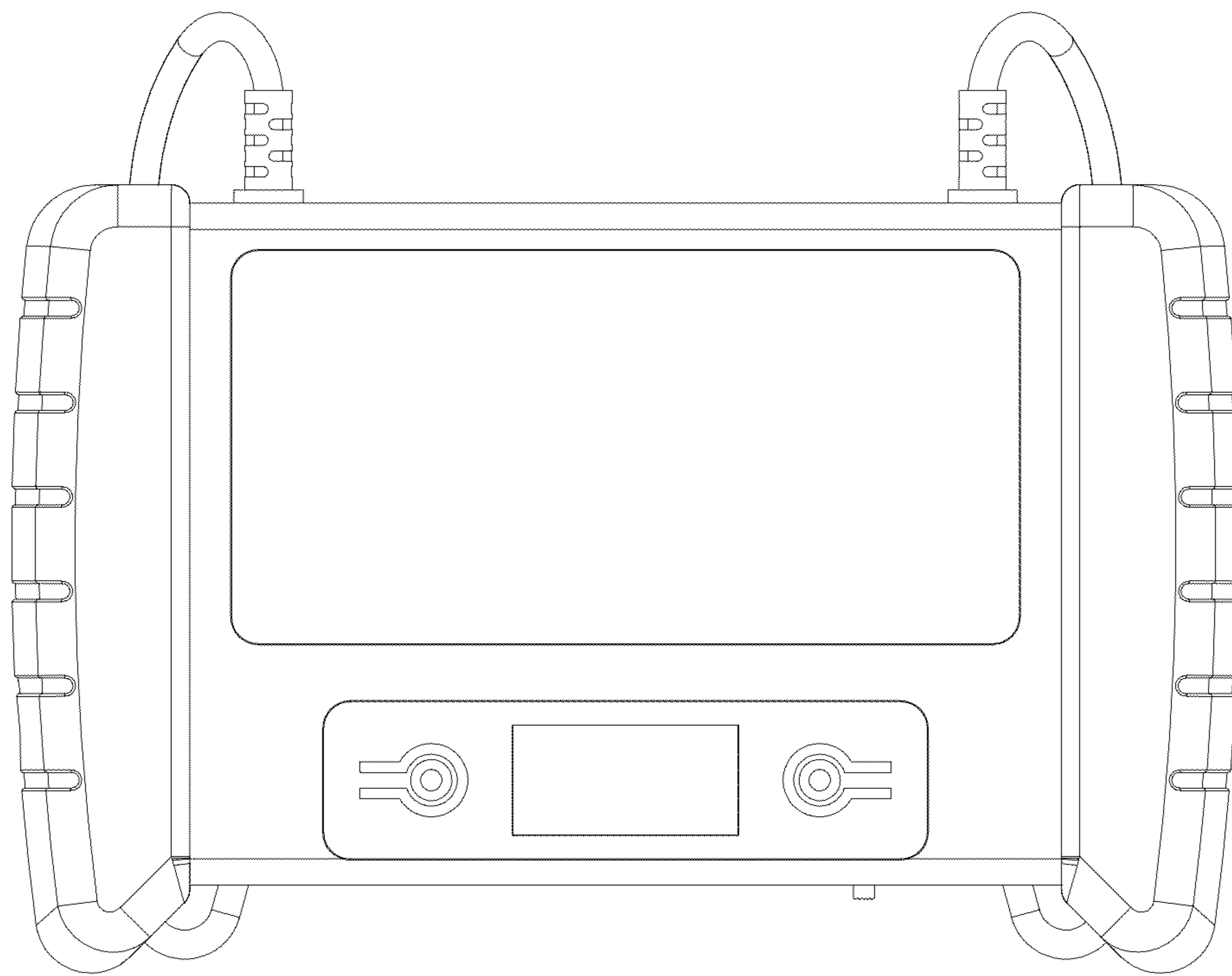


FIG.5

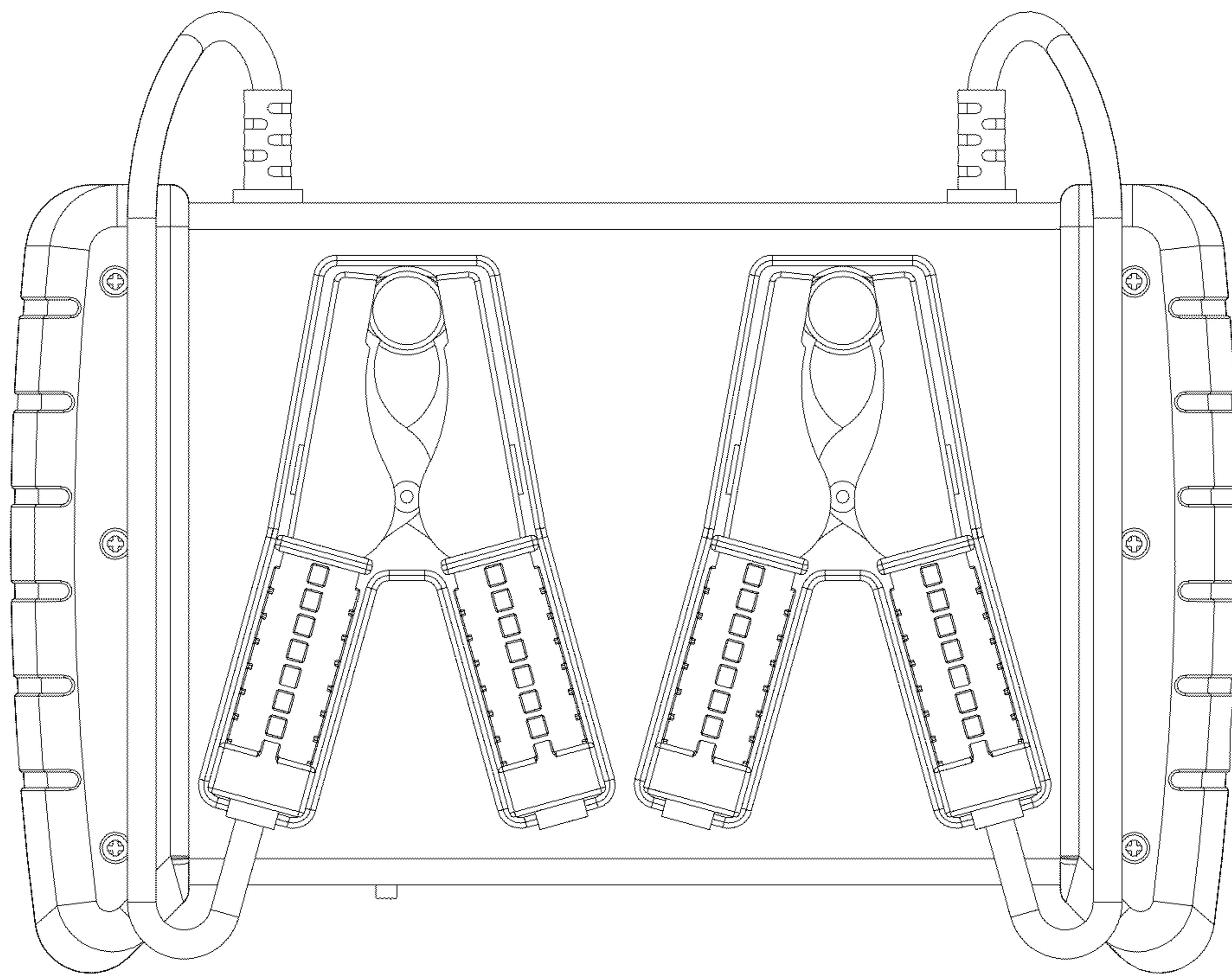


FIG.6

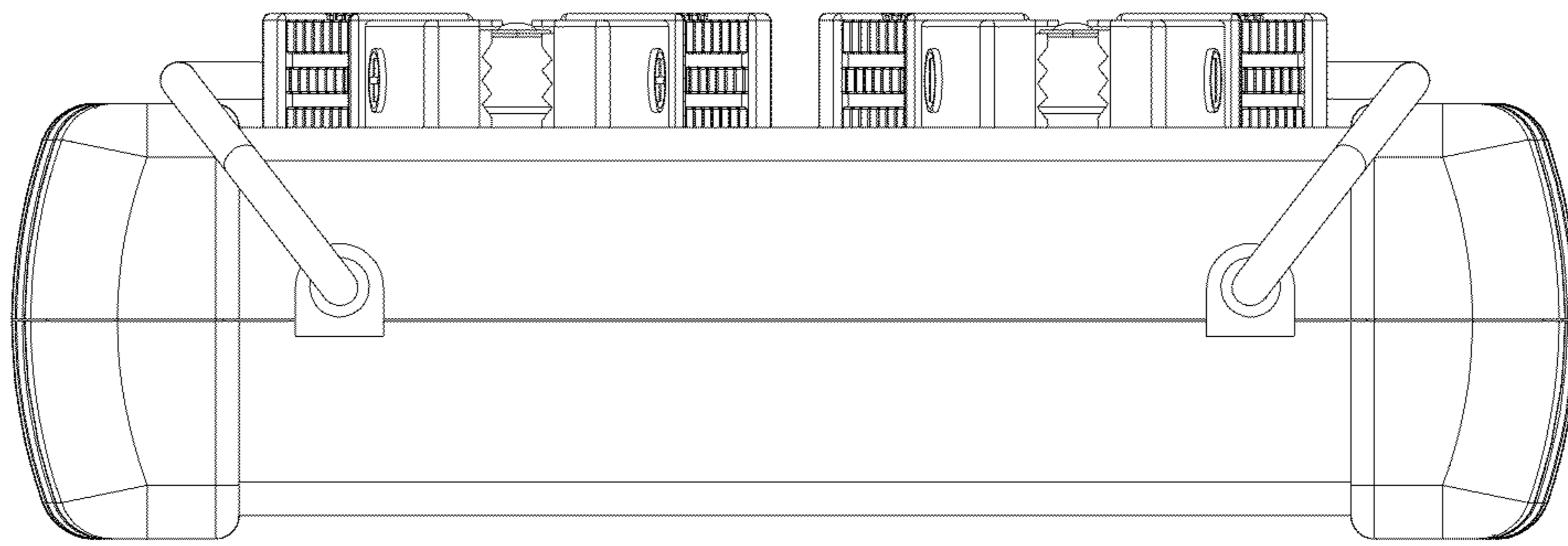


FIG.7

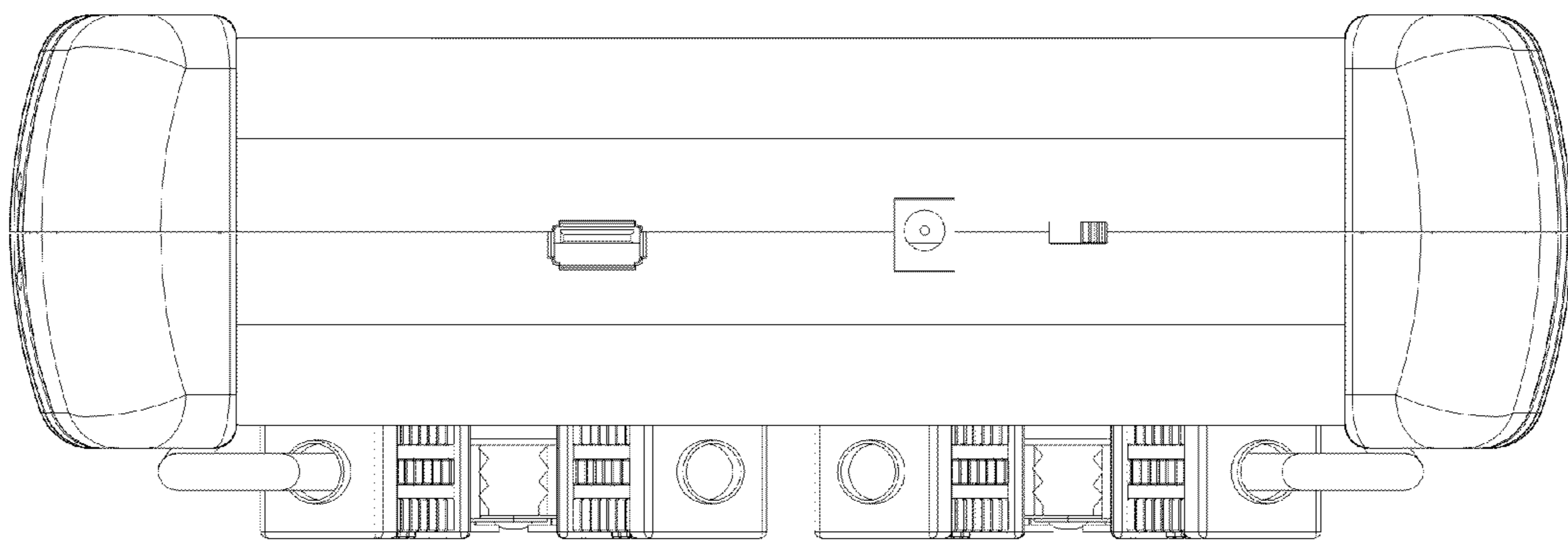


FIG.8