

US00D697462S

(12) **United States Design Patent**
Yamazaki

(10) **Patent No.:** **US D697,462 S**
(45) **Date of Patent:** **** Jan. 14, 2014**

(54) **INSTRUMENT PANEL FOR AUTOMOBILE**

(71) Applicant: **Honda Motor Co., Ltd.**, Tokyo (JP)

(72) Inventor: **Yuichi Yamazaki**, Wako (JP)

(73) Assignee: **Honda Motor Co., Ltd**, Tokyo (JP)

(**) Term: **14 Years**

(21) Appl. No.: **29/459,012**

(22) Filed: **Jun. 25, 2013**

(30) **Foreign Application Priority Data**

Dec. 28, 2012 (JP) 2012-032052

(51) **LOC (10) Cl.** **12-16**

(52) **U.S. Cl.**
USPC **D12/192**

(58) **Field of Classification Search**
USPC D12/192, 415, 110, 114; 180/90;
280/750-752; 296/190.01-190.09,
296/191, 70; D15/17, 28; D10/46, 98,
D10/102-103, 122-127
See application file for complete search history.

(56) **References Cited**

U.S. PATENT DOCUMENTS

D413,095 S * 8/1999 Abalos et al. D12/192
D470,807 S * 2/2003 Wyszogrod et al. D12/192

D519,893 S * 5/2006 Kabayama et al. D12/192
D549,628 S * 8/2007 Esaki et al. D12/192
D567,162 S * 4/2008 Motozaki et al. D12/192
D567,727 S * 4/2008 Kawaguchi et al. D12/192
D577,640 S * 9/2008 Wyszogrod et al. D12/192
D604,217 S * 11/2009 Kabayama D12/192
D653,185 S * 1/2012 Senda et al. D12/192
D656,074 S * 3/2012 Ohmori et al. D12/192

* cited by examiner

Primary Examiner — Katrina A Betton

(74) *Attorney, Agent, or Firm* — Westerman, Hattori,
Daniels & Adrian, LLP

(57) **CLAIM**

The ornamental design for an instrument panel for automobile, as shown and described.

DESCRIPTION

FIG. 1 is a perspective view from the left side of an instrument panel for automobile.

FIG. 2 is a perspective view from the right side thereof.

FIG. 3 is a front elevation view thereof.

FIG. 4 is a left side elevation view thereof.

FIG. 5 is a right side elevation view thereof; and,

FIG. 6 is a top plan view thereof.

The portions of the instrument panel shown in broken lines are for the purpose of showing environmental structure only and form no part of the claimed design.

1 Claim, 6 Drawing Sheets

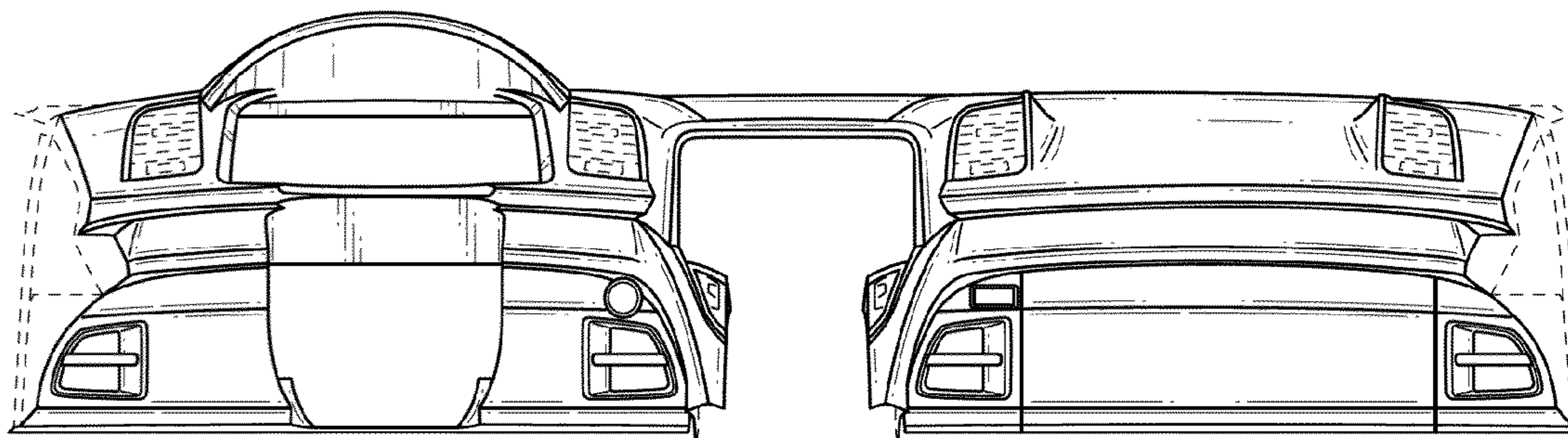


FIG. 1

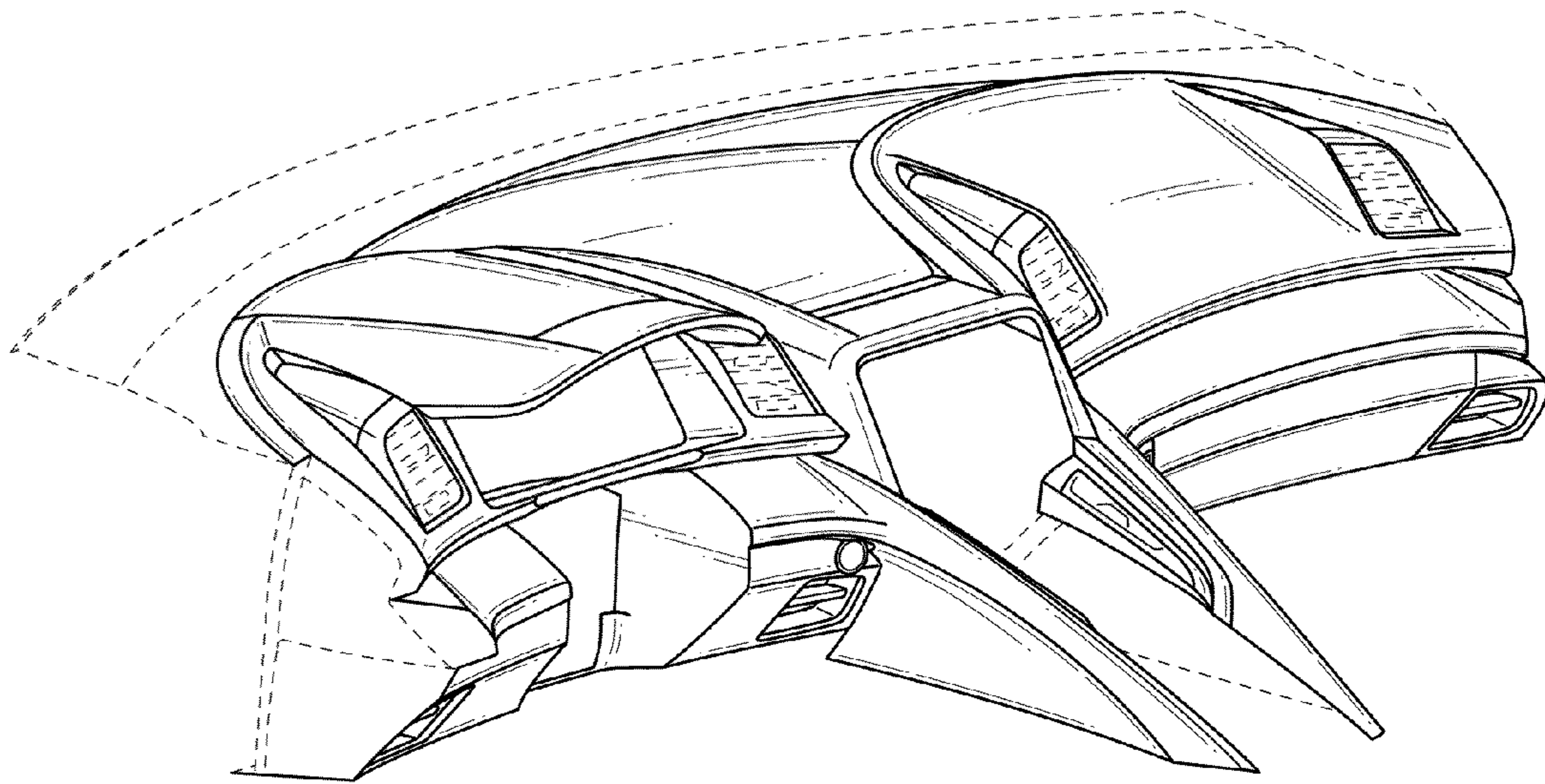


FIG. 2

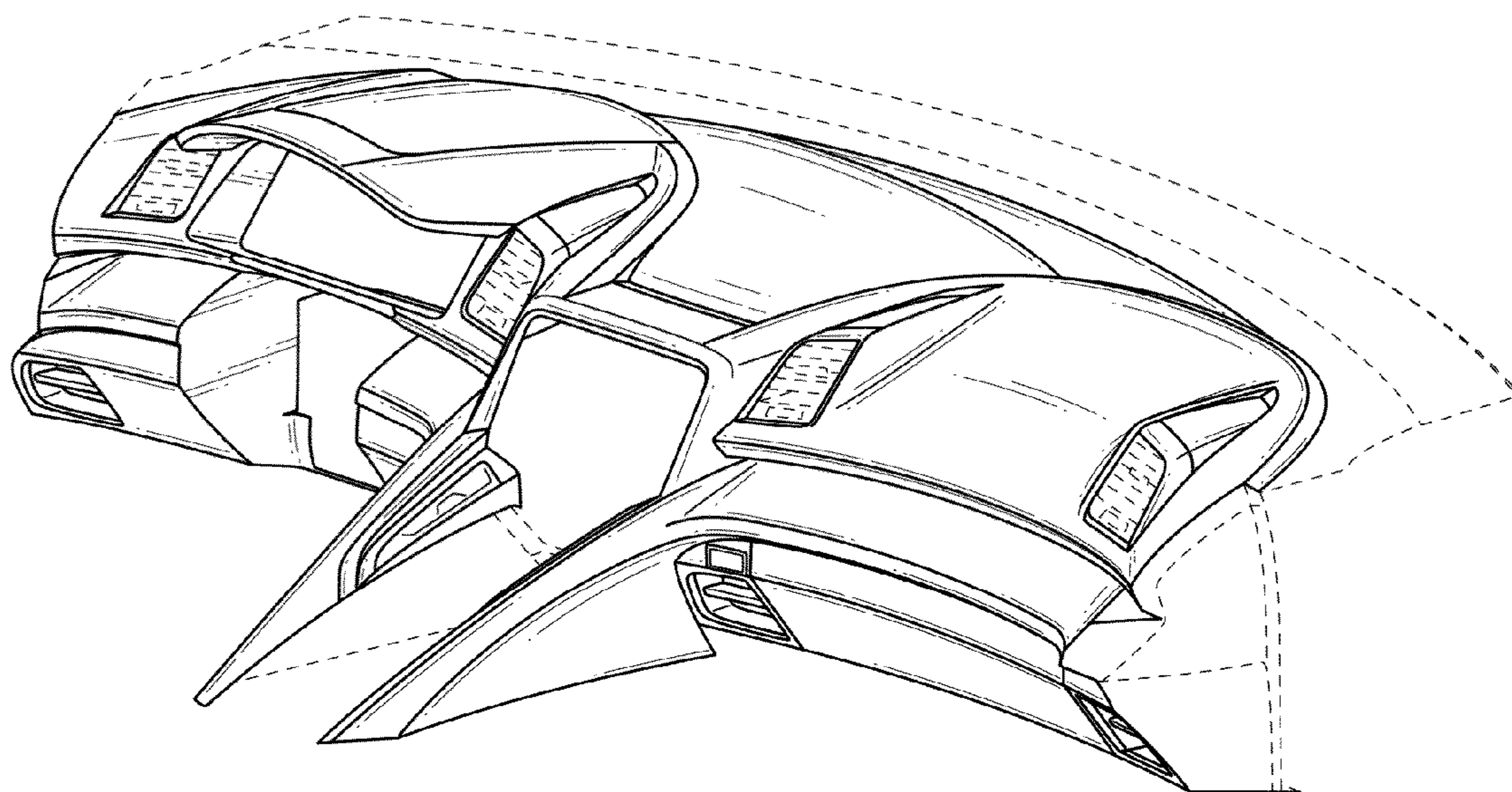


FIG. 3

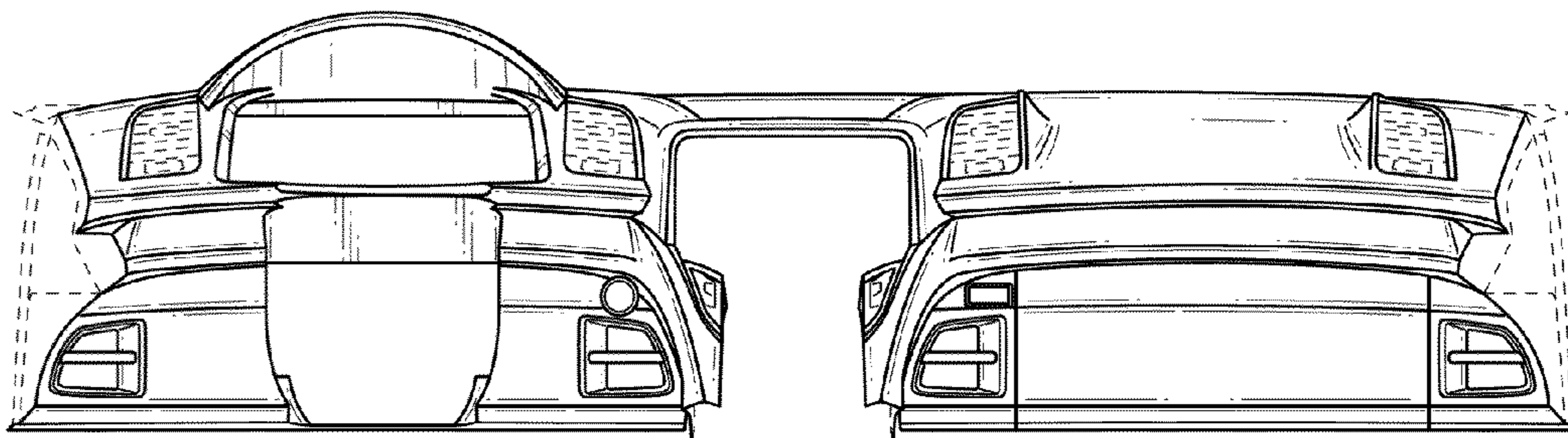


FIG. 4

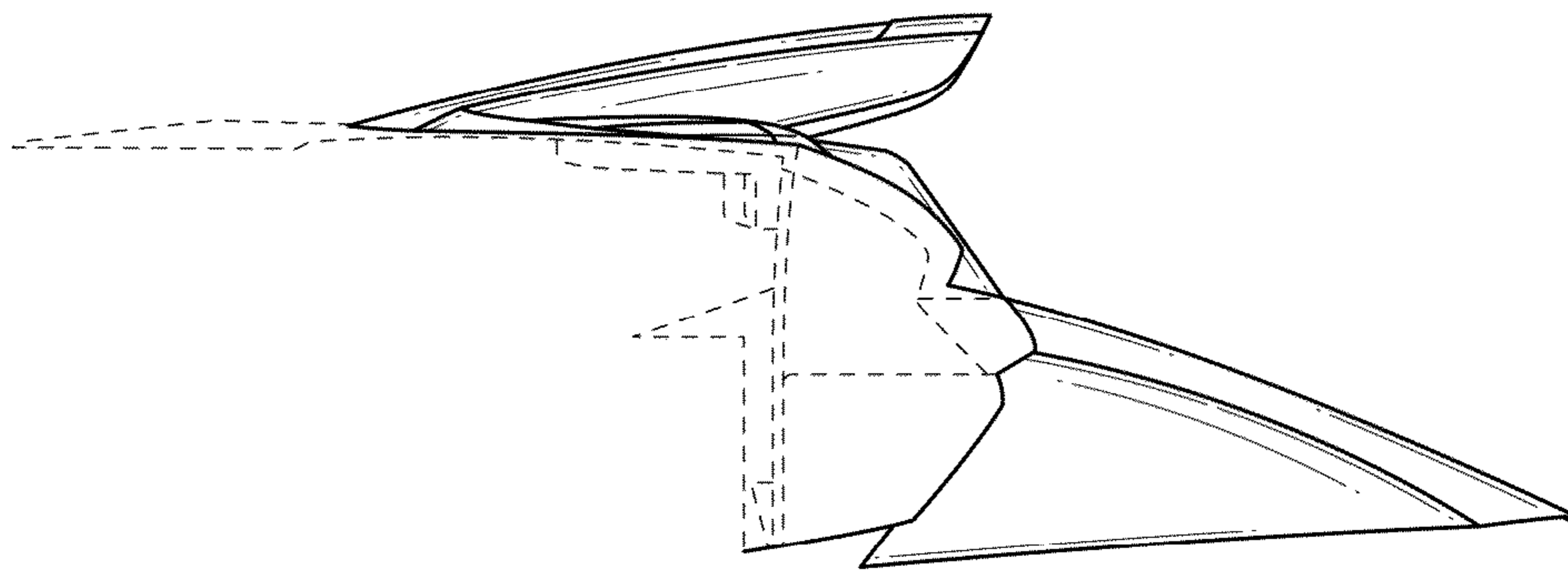


FIG. 5

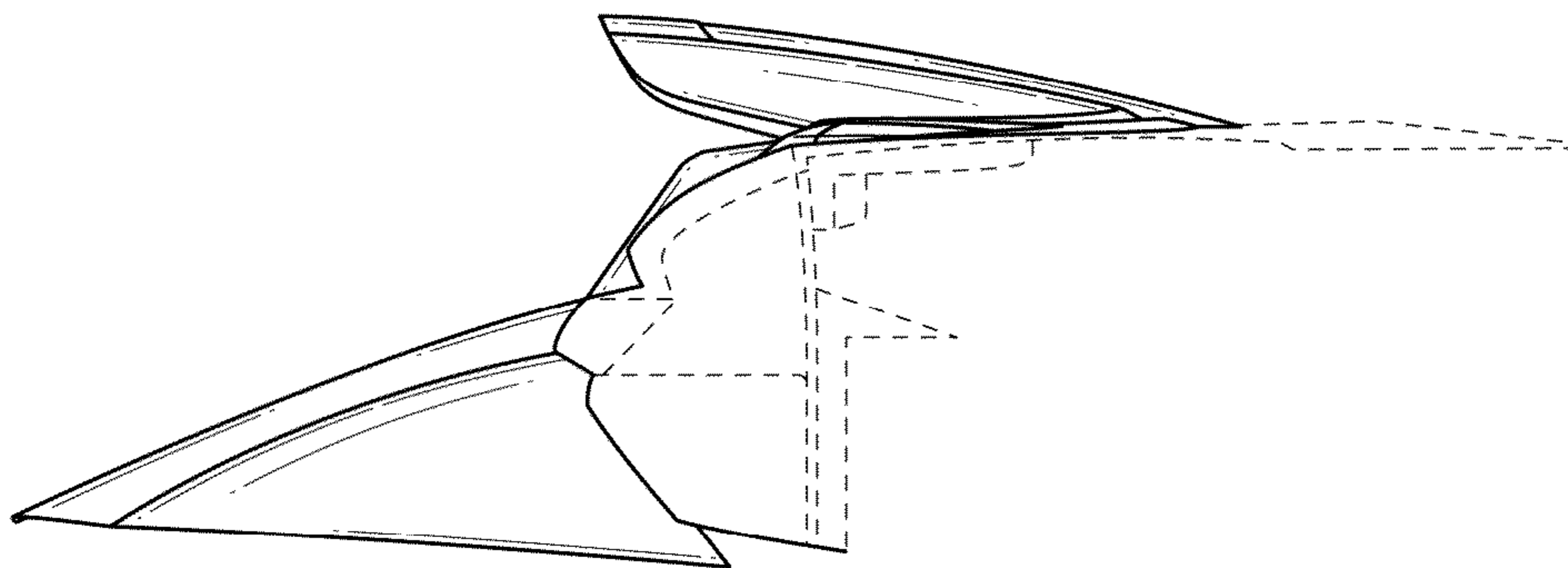


FIG. 6

