



US00D697461S

(12) **United States Design Patent**
Norman et al.

(10) **Patent No.:** **US D697,461 S**
(45) **Date of Patent:** **** Jan. 14, 2014**

- (54) **INSTRUMENT PANEL**
- (71) Applicant: **Honda Motor Co., Ltd**, Tokyo (JP)
- (72) Inventors: **Johnathan Norman**, San Pedro, CA (US); **Cameron Mauldin**, Dublin, OH (US)
- (73) Assignee: **Honda Motor Co., Ltd.**, Tokyo (JP)
- (**) Term: **14 Years**
- (21) Appl. No.: **29/451,099**
- (22) Filed: **Mar. 27, 2013**
- (51) **LOC (10) Cl.** **12-16**
- (52) **U.S. Cl.**
USPC **D12/192**
- (58) **Field of Classification Search**
USPC D12/192, 415, 110, 114; 180/90;
280/750-752; 296/190.01-190.09,
296/191, 70; D15/17, 28; D10/46, 98,
D10/102-103, 122-127
See application file for complete search history.

- D519,893 S * 5/2006 Kabayama et al. D12/192
- D549,628 S * 8/2007 Esaki et al. D12/192
- D567,162 S * 4/2008 Motozaki et al. D12/192
- D567,727 S * 4/2008 Kawaguchi et al. D12/192
- D577,640 S * 9/2008 Wyszogrod et al. D12/192
- D604,217 S * 11/2009 Kabayama D12/192
- D653,185 S * 1/2012 Senda et al. D12/192
- D656,074 S * 3/2012 Ohmori et al. D12/192

* cited by examiner

Primary Examiner — Katrina A Betton

(74) *Attorney, Agent, or Firm* — Westerman, Hattori, Daniels & Adrian, LLP

(57) **CLAIM**

The ornamental design for an instrument panel, as shown and described.

DESCRIPTION

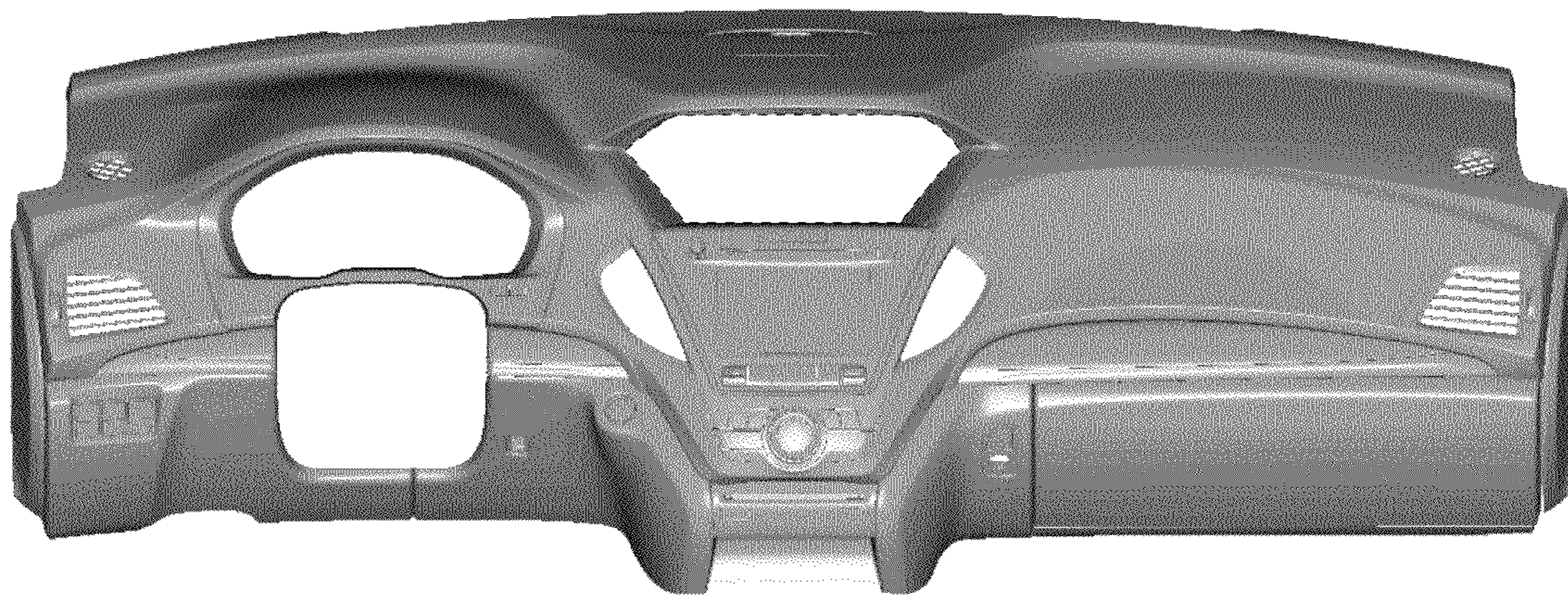
FIG. 1 is a front perspective view of an instrument panel showing our new design;
FIG. 2 is a front elevational view thereof;
FIG. 3 is a top plan view thereof; and,
FIG. 4 is a right side elevational view thereof.
The broken lines illustrate environmental structure only and form no part of the claimed design.

1 Claim, 4 Drawing Sheets

(56) **References Cited**

U.S. PATENT DOCUMENTS

- D413,095 S * 8/1999 Abalos et al. D12/192
- D470,807 S * 2/2003 Wyszogrod et al. D12/192



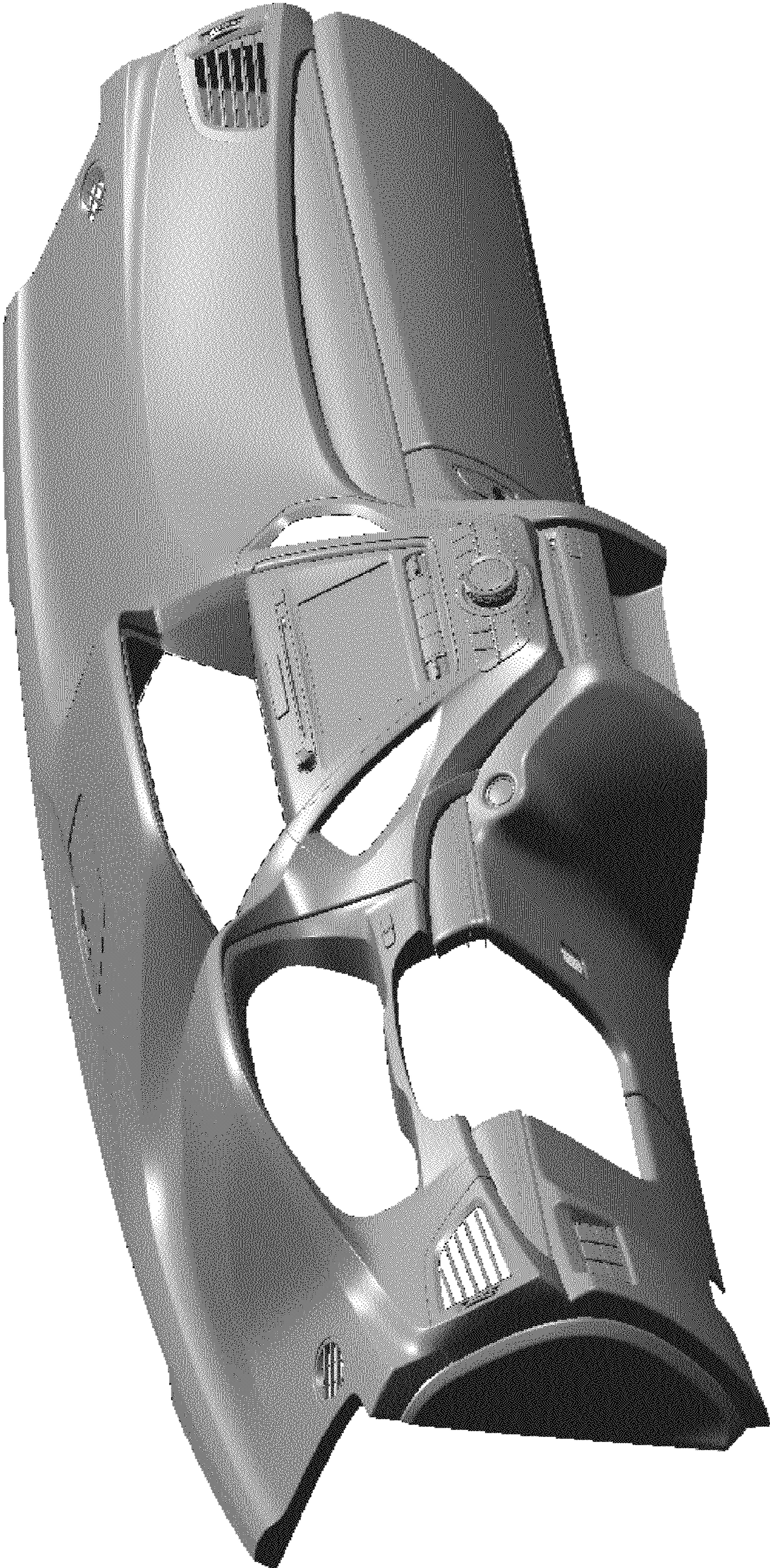


FIG. 1

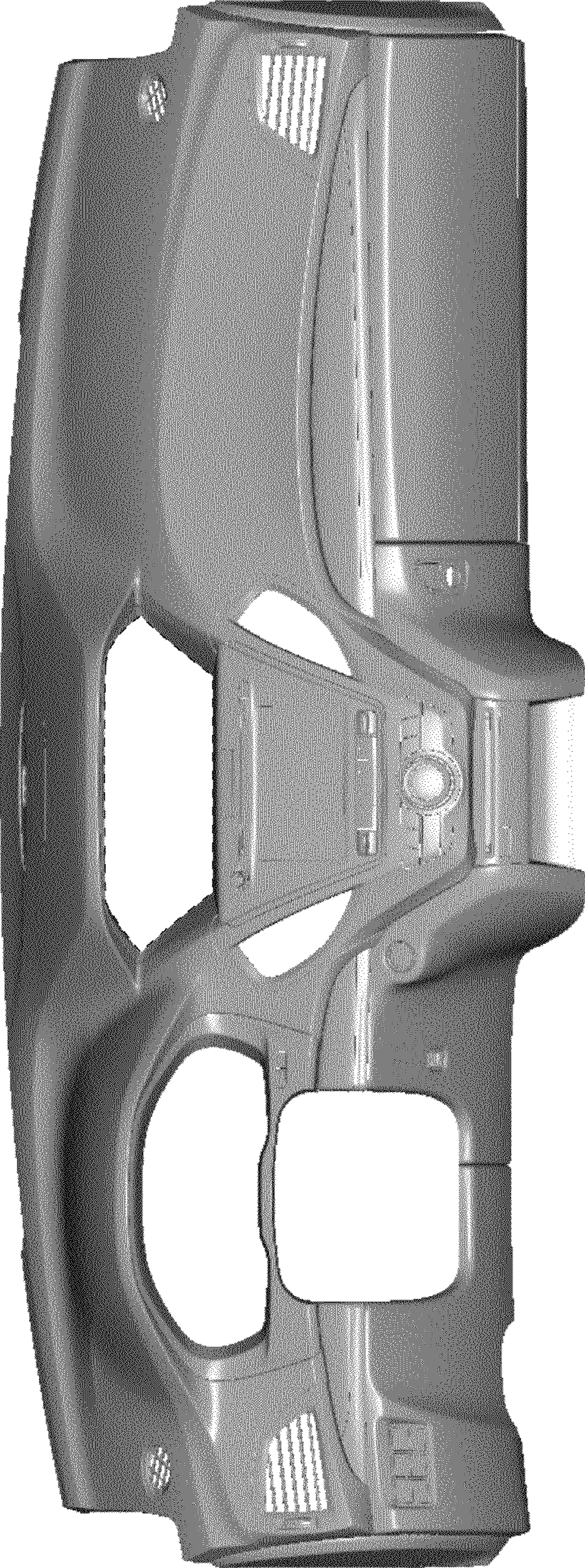


FIG. 2

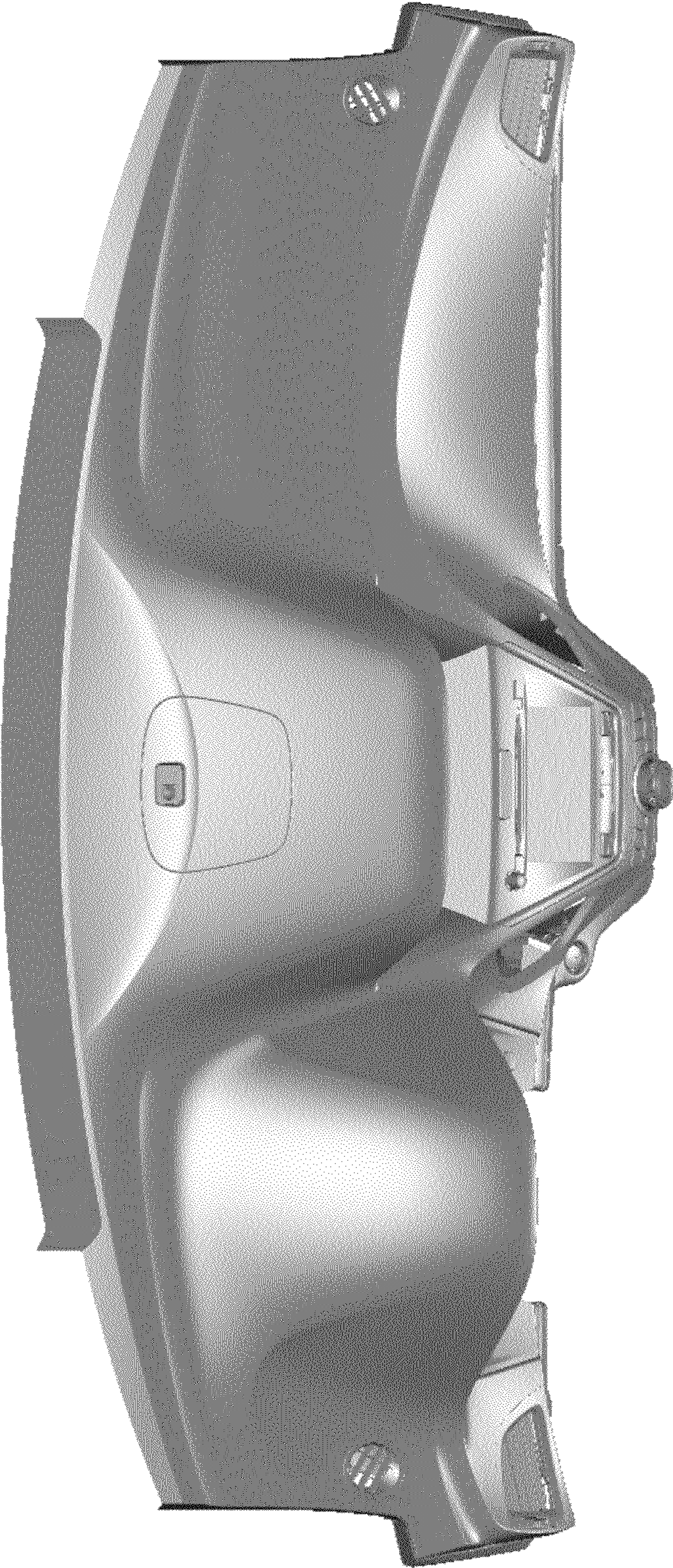


FIG. 3

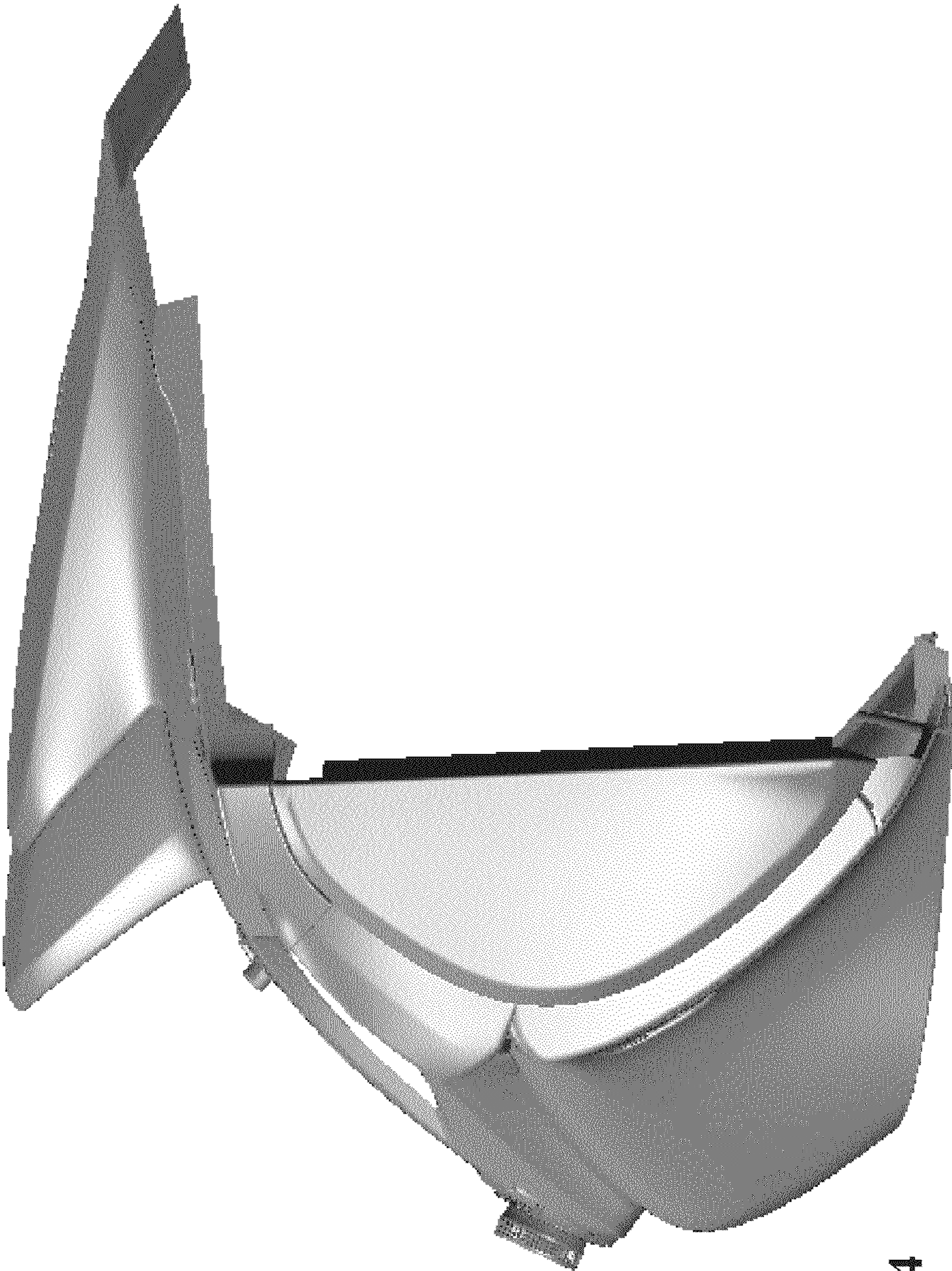


FIG. 4