



US00D697460S

(12) **United States Design Patent**  
**Matsuda et al.**

(10) **Patent No.:** **US D697,460 S**  
(45) **Date of Patent:** **\*\* Jan. 14, 2014**

(54) **INSTRUMENT PANEL FOR AN  
AUTOMOBILE**

FOREIGN PATENT DOCUMENTS

(75) Inventors: **Masahiro Matsuda**, Kanagawa (JP);  
**Ken Okabe**, Kanagawa (JP)

EM 000368196-0009 6/2005  
JP D1253252 S 10/2005

(73) Assignee: **Nissan Motor Co., Ltd.**, Yokohama (JP)

\* cited by examiner

(\*\*) Term: **14 Years**

*Primary Examiner* — Katrina A Betton

(21) Appl. No.: **29/411,338**

(74) *Attorney, Agent, or Firm* — Global IP Counselors, LLP

(22) Filed: **Jan. 19, 2012**

(51) **LOC (10) Cl.** ..... **12-16**

(52) **U.S. Cl.**

USPC ..... **D12/192**

(58) **Field of Classification Search**

USPC ..... D12/192, 415, 110, 114; 180/90;  
280/750-752; 296/190.01-190.09,  
296/191, 70; D15/17, 28; D10/46, 98,  
D10/102-103, 122-127

See application file for complete search history.

(57) **CLAIM**

The ornamental design for an instrument panel for an auto-  
mobile, as shown and described.

**DESCRIPTION**

FIG. 1 is a front elevational view of an instrument panel for an  
automobile in accordance with our new design;  
FIG. 2 is a top plan view of the instrument panel in accordance  
with our new design of FIG. 1;  
FIG. 3 is a bottom plan view of the instrument panel in  
accordance with our new design of FIGS. 1 and 2;  
FIG. 4 is a right side elevational view of the instrument panel  
in accordance with our new design of FIGS. 1 to 3;  
FIG. 5 is a left side elevational view of the instrument panel in  
accordance with our new design of FIGS. 1 to 4;  
FIG. 6 is a front, right and top side perspective view of the  
instrument panel in accordance with our new design of FIGS.  
1 to 5; and,  
FIG. 7 is a front, left and bottom side perspective view of the  
instrument panel in accordance with our new design of FIGS.  
1 to 6.

The rear view of the instrument panel forms no part of the  
claimed design.

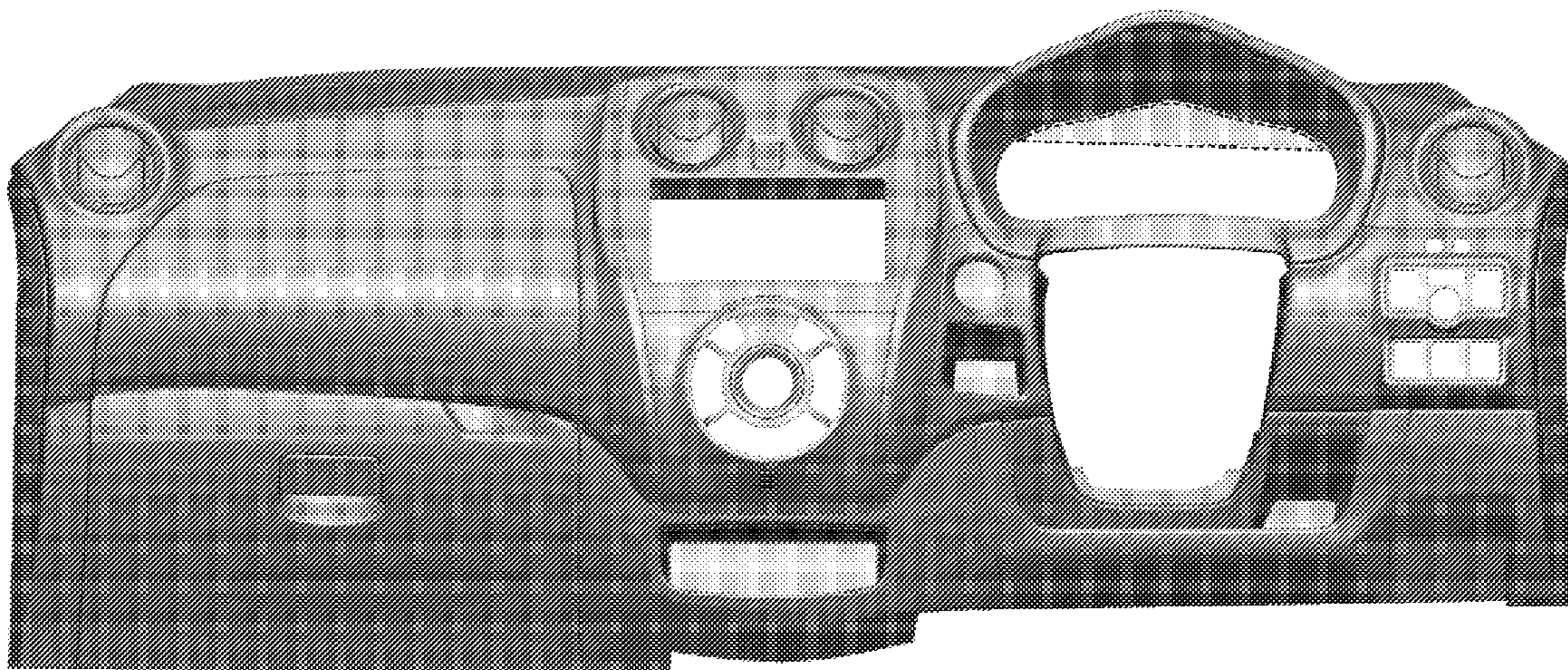
Our new design includes the mirror image of the instrument  
panel shown in FIGS. 1 to 7.

(56) **References Cited**

U.S. PATENT DOCUMENTS

D413,095 S *	8/1999	Abalos et al. ....	D12/192
D449,263 S *	10/2001	Yamazaki et al. ....	D12/192
D470,807 S *	2/2003	Wyszogrod et al. ....	D12/192
D519,893 S *	5/2006	Kabayama et al. ....	D12/192
D549,628 S *	8/2007	Esaki et al. ....	D12/192
D567,727 S *	4/2008	Kawaguchi et al. ....	D12/192
D577,640 S *	9/2008	Wyszogrod et al. ....	D12/192
D577,642 S *	9/2008	Kitajima et al. ....	D12/192
D596,096 S *	7/2009	Mori .....	D12/192
D604,217 S *	11/2009	Kabayama .....	D12/192
D642,505 S *	8/2011	Nakajima et al. ....	D12/192
D653,185 S *	1/2012	Senda et al. ....	D12/192
D656,074 S *	3/2012	Ohmori et al. ....	D12/192

**1 Claim, 7 Drawing Sheets**



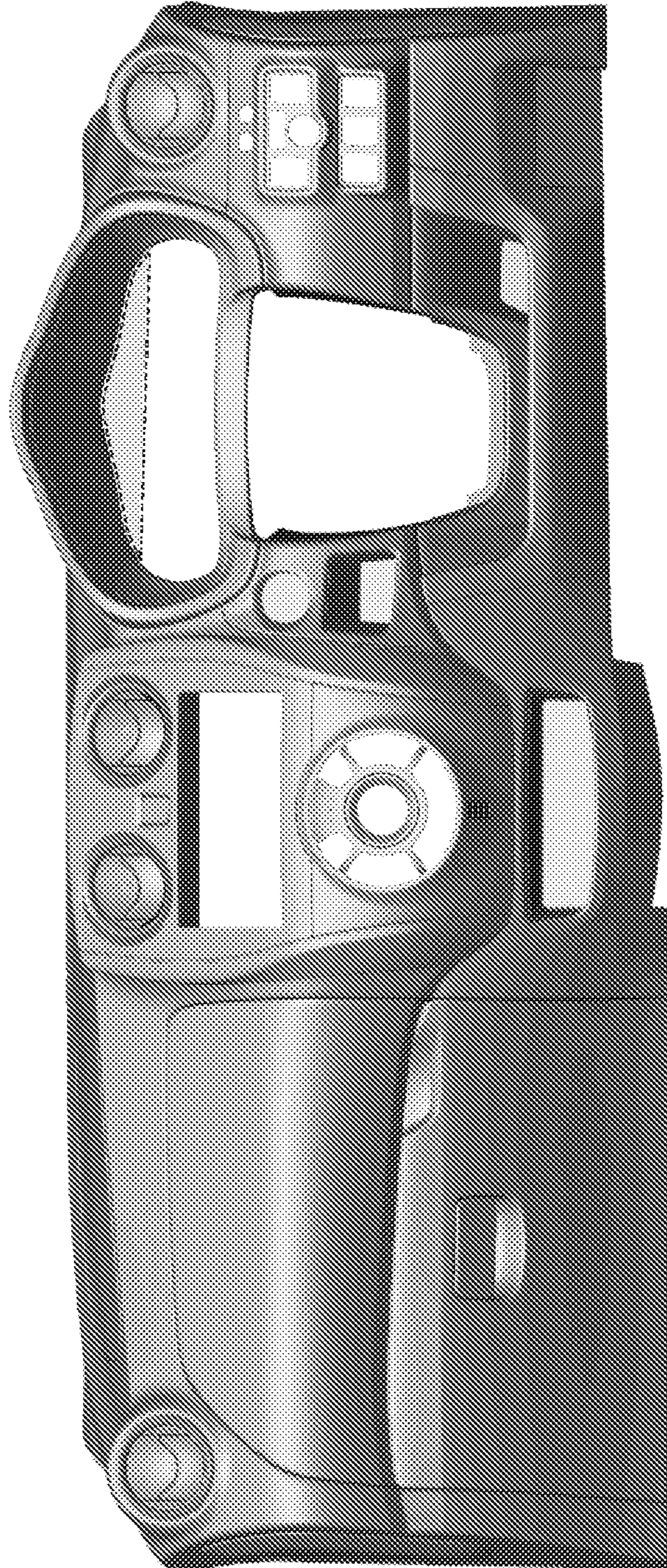


FIG. 1

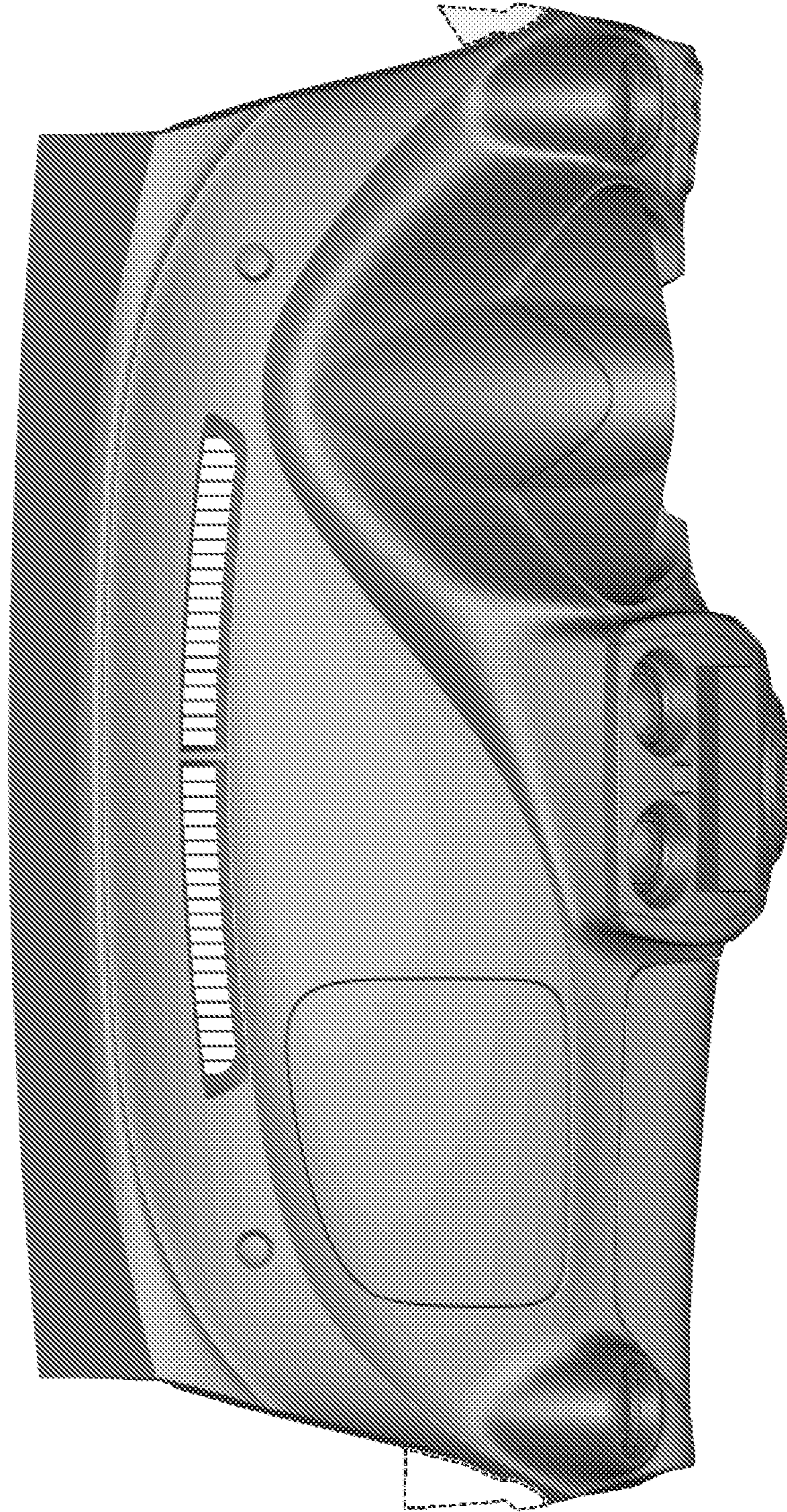


FIG. 2

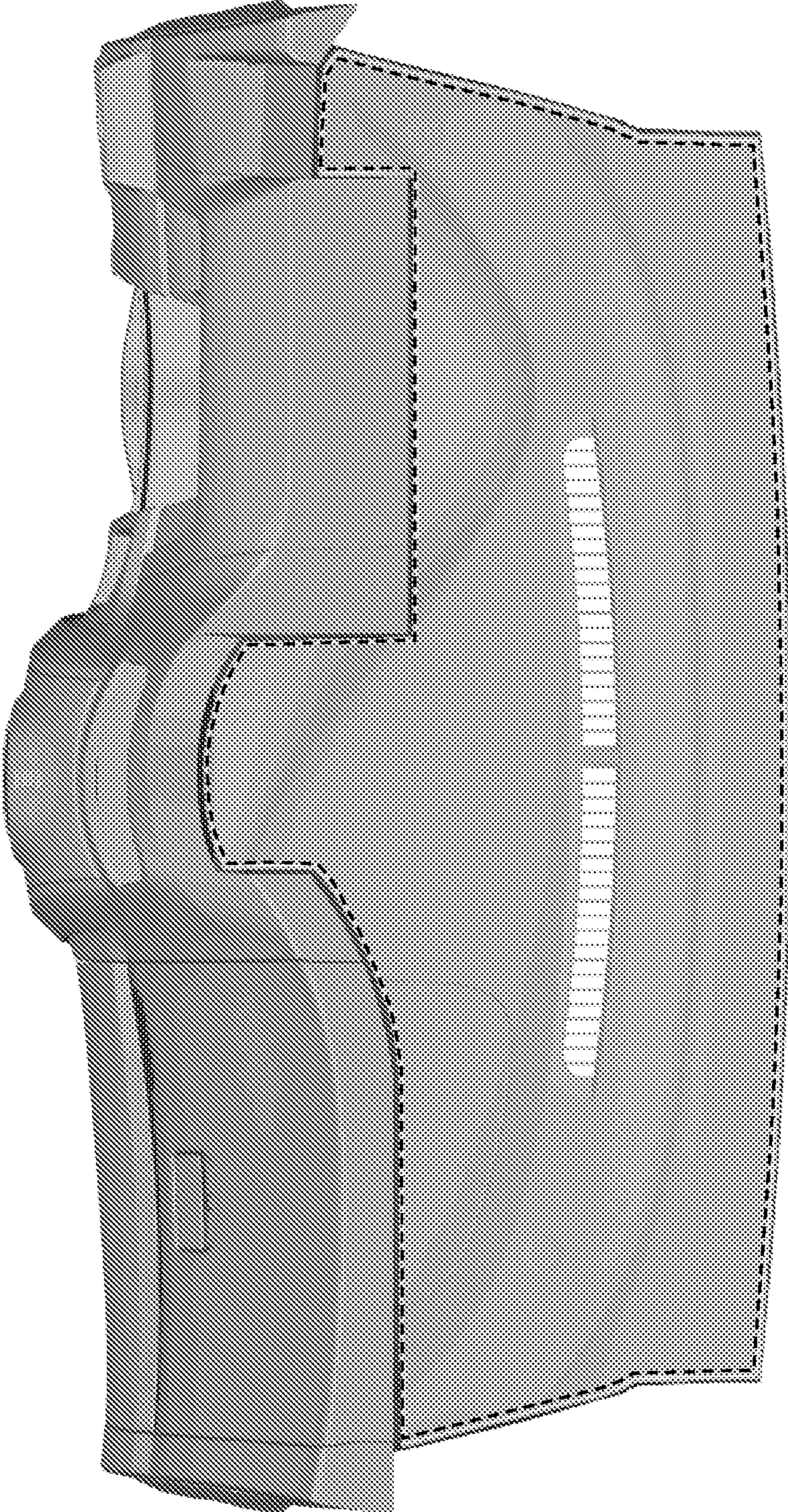
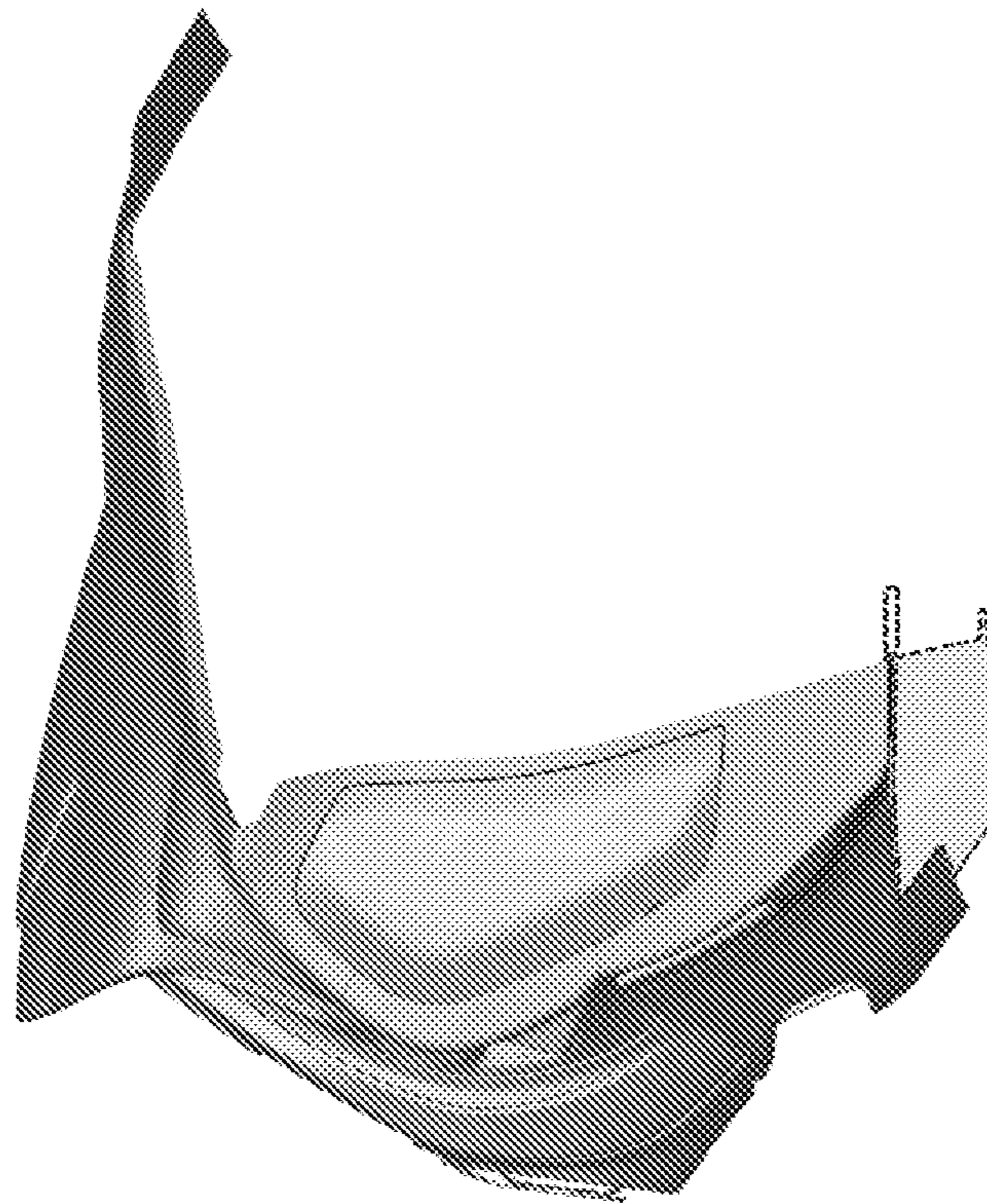
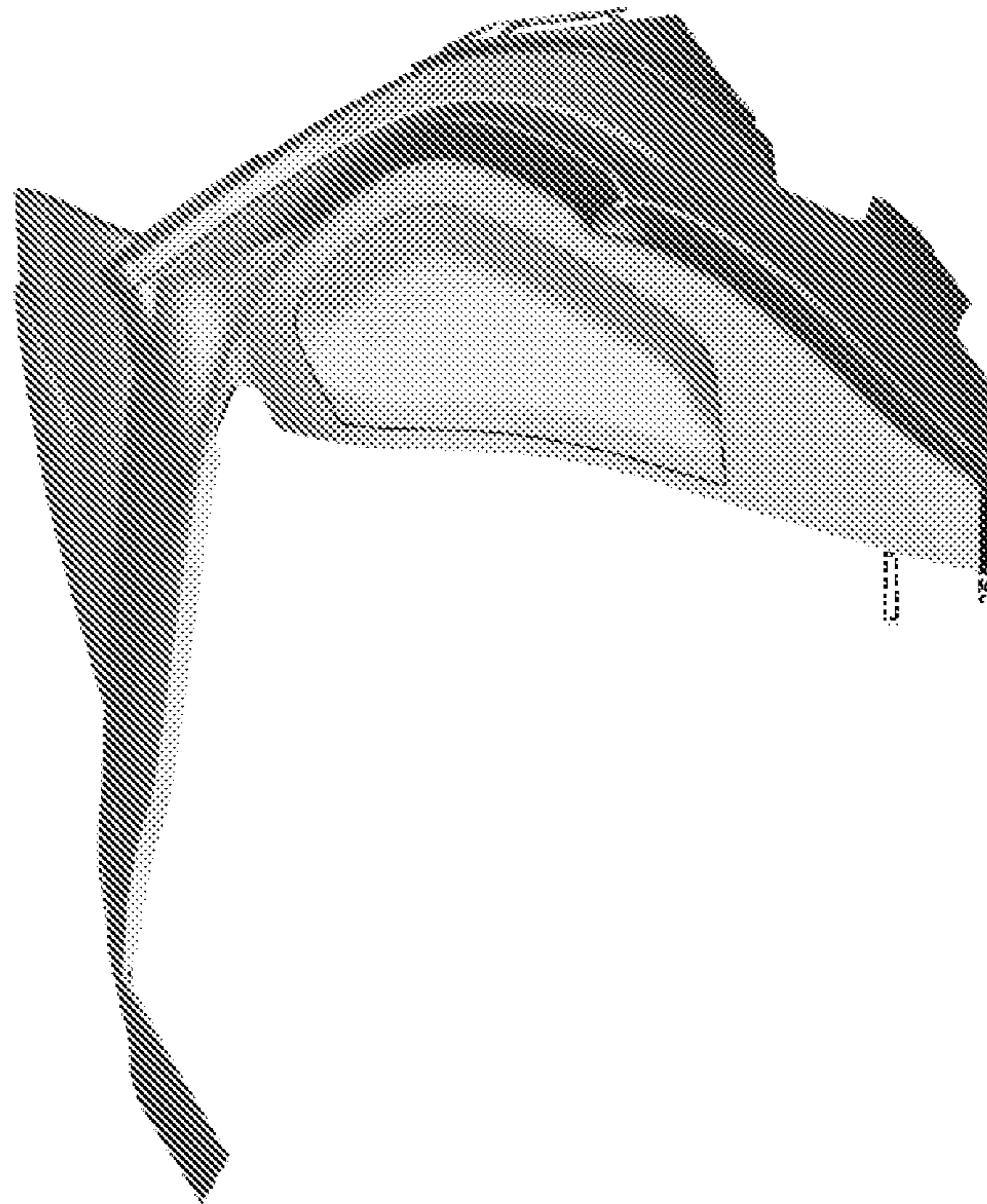


FIG. 3



**FIG. 4**



**FIG. 5**



FIG. 6



FIG. 7