

US00D697459S

(12) **United States Design Patent**
Yamada et al.

(10) **Patent No.:** **US D697,459 S**
(45) **Date of Patent:** **** Jan. 14, 2014**

- (54) **INSTRUMENT PANEL FOR AN AUTOMOBILE**
- (75) Inventors: **Yoshinori Yamada**, Aichi-ken (JP);
Hisato Yamaguchi, Shizuoka-ken (JP)
- (73) Assignee: **Toyota Jidosha Kabushiki Kaisha**,
Toyota-shi, Aichi-ken (JP)
- (**) Term: **14 Years**
- (21) Appl. No.: **29/405,083**
- (22) Filed: **Oct. 28, 2011**
- (51) **LOC (10) Cl.** **12-16**
- (52) **U.S. Cl.**
USPC **D12/192**
- (58) **Field of Classification Search**
USPC D12/192, 415, 110, 114; 180/90;
280/750-752; 296/190.01-190.09,
296/191, 70; D15/17, 28; D10/46, 98,
D10/102-103, 122-127
See application file for complete search history.

- D569,317 S * 5/2008 Schowalter D12/192
- D577,642 S * 9/2008 Kitajima et al. D12/192
- D596,096 S * 7/2009 Mori D12/192
- D598,353 S * 8/2009 Dai et al. D12/192
- D622,195 S * 8/2010 Lester D12/192
- D625,233 S 10/2010 Mizuhata et al.
- D637,540 S * 5/2011 Ali et al. D12/192
- D642,505 S * 8/2011 Nakajima et al. D12/192
- D658,554 S * 5/2012 Tasaki et al. D12/192
- 2009/0008956 A1 * 1/2009 Scheib et al. 296/70

OTHER PUBLICATIONS

BMW Z4, NetCarShow.com, Publisher: NetCarShow.com, 2003.
Nissan Tiida, Catalog by Nissan, Jun. 2009.

* cited by examiner

Primary Examiner — Katrina A Betton
(74) *Attorney, Agent, or Firm* — Finnegan, Henderson,
Farabow, Garrett & Dunner, LLP

(57) **CLAIM**
The ornamental design for an instrument panel for an auto-
mobile, as shown and described.

DESCRIPTION

FIG. 1s a front perspective view of an instrument panel for an
automobile of our new design;
FIG. 2 is a front view thereof;
FIG. 3 is a rear view thereof;
FIG. 4 is a top plan view thereof;
FIG. 5 is a bottom view thereof;
FIG. 6 is a right side view thereof; and,
FIG. 7 is a left side view thereof.
The claimed design includes a mirror image of the embodi-
ment depicted.

1 Claim, 4 Drawing Sheets

(56) **References Cited**
U.S. PATENT DOCUMENTS

- D449,263 S * 10/2001 Yamazaki et al. D12/192
- D469,391 S * 1/2003 Pfeiffer et al. D12/192
- D470,809 S * 2/2003 Asahi et al. D12/192
- D489,301 S * 5/2004 Okonkwo D12/192
- D501,811 S * 2/2005 Fukuda et al. D12/192
- D519,894 S * 5/2006 Asahi et al. D12/192
- D533,492 S * 12/2006 Maezono et al. D12/192
- D534,357 S * 1/2007 Davis D5/47
- D539,714 S * 4/2007 Toyama et al. D12/192
- D558,109 S 12/2007 Misugi et al.
- D558,110 S 12/2007 Ozeki et al.
- D563,299 S * 3/2008 Mizuhata et al. D12/192

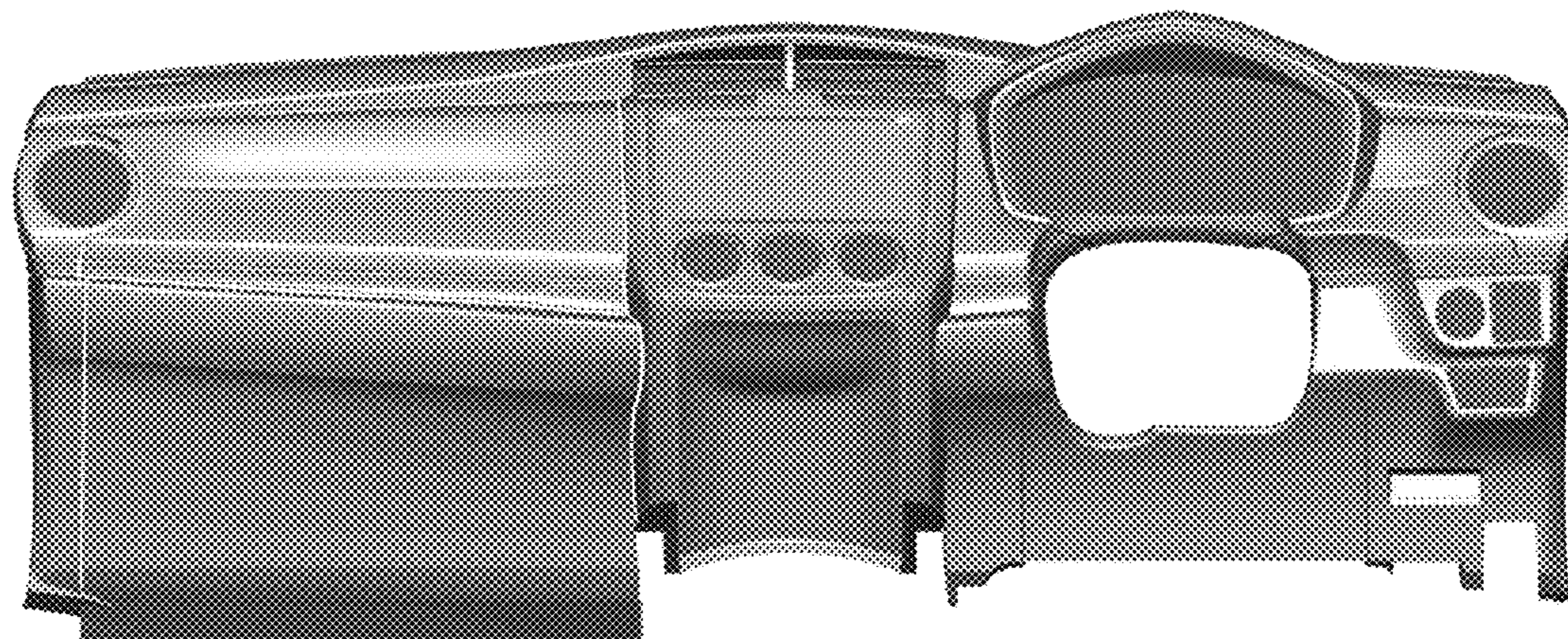




FIG. 1

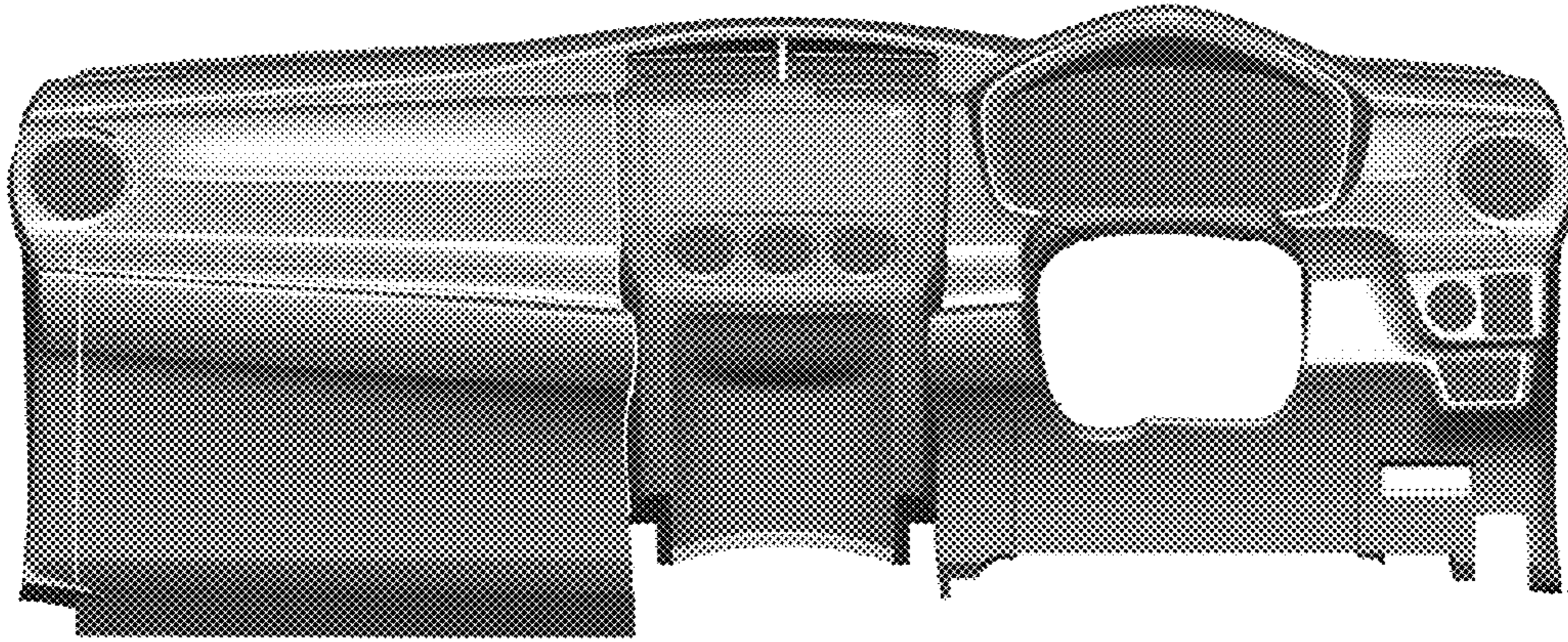


FIG. 2

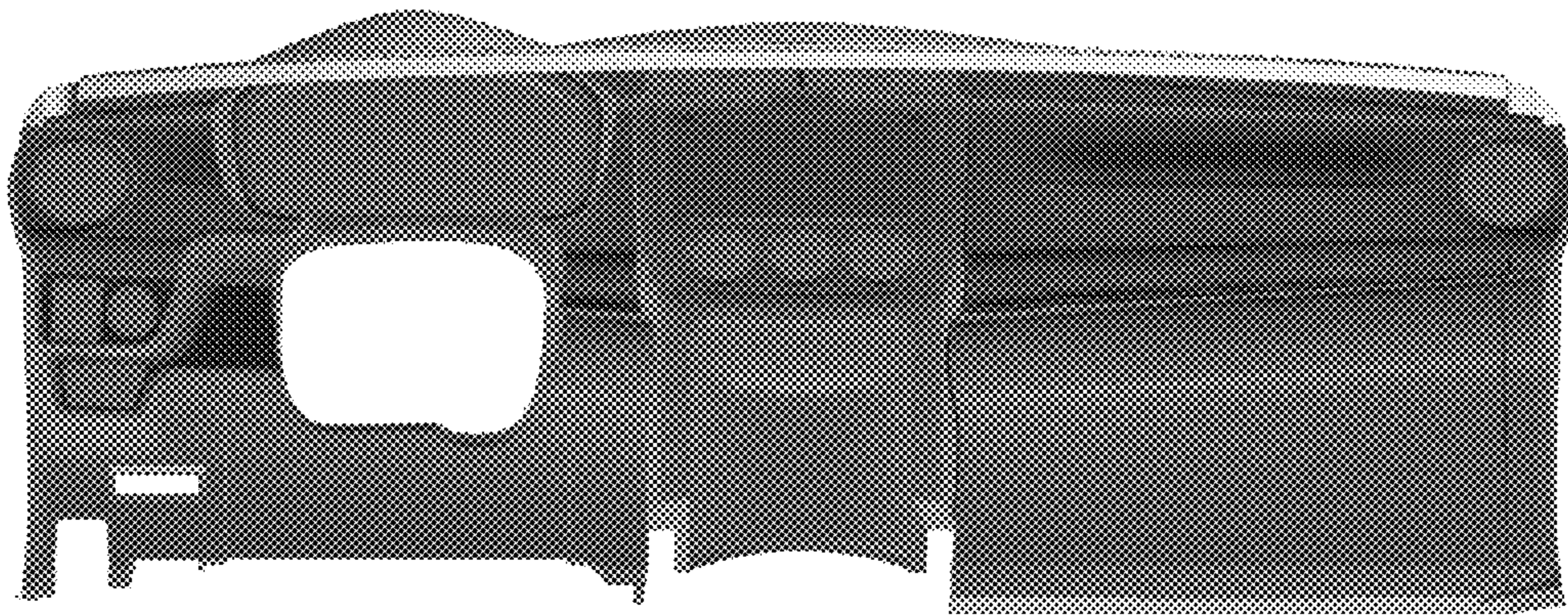


FIG. 3

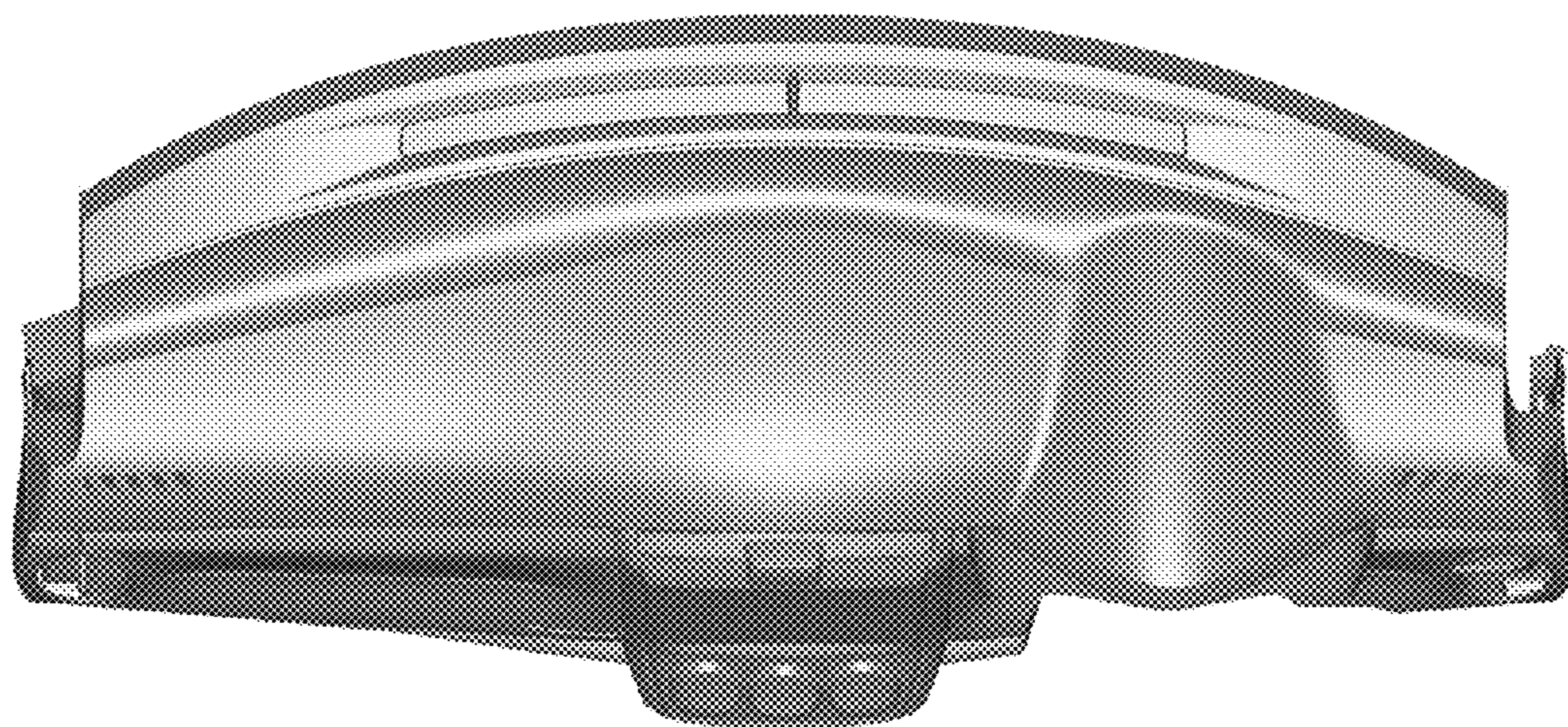


FIG. 4

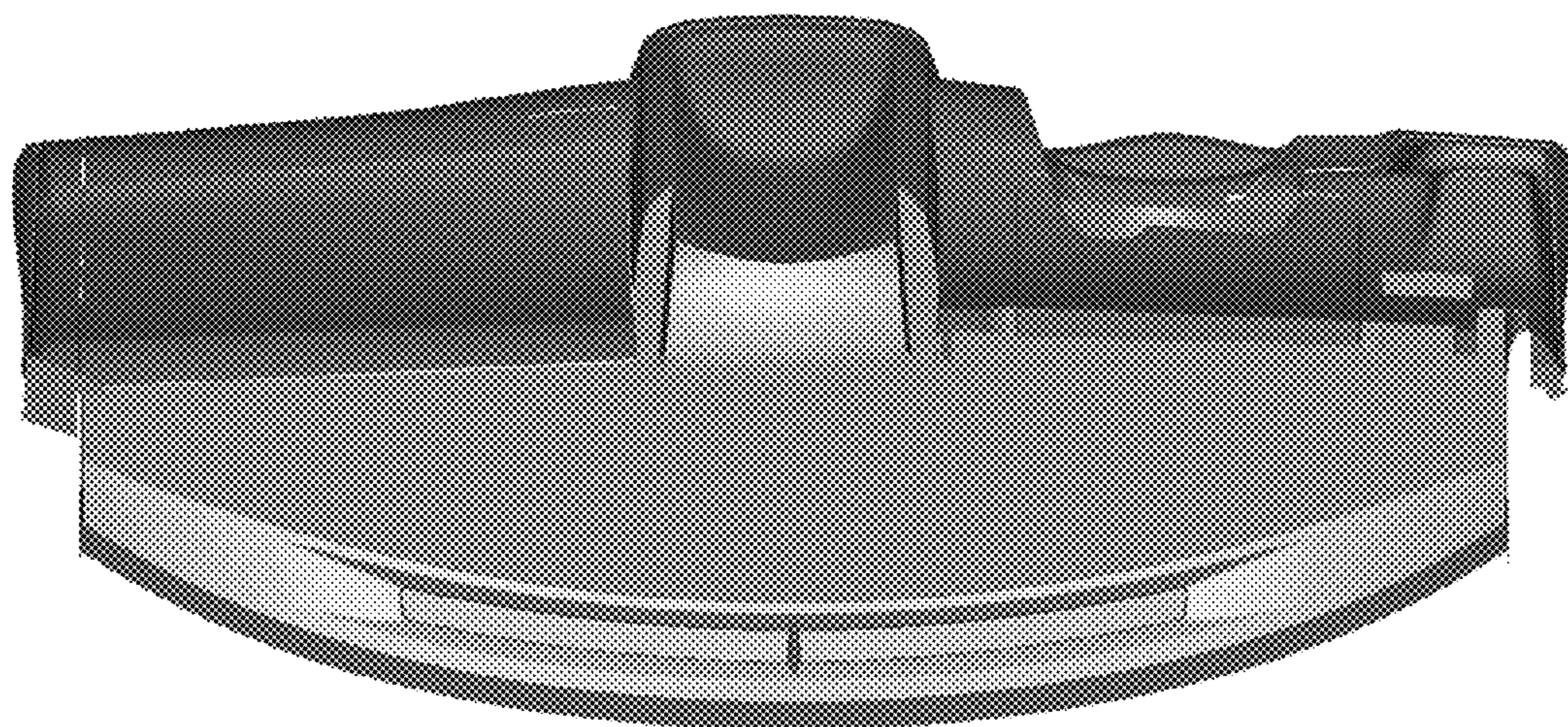


FIG. 5

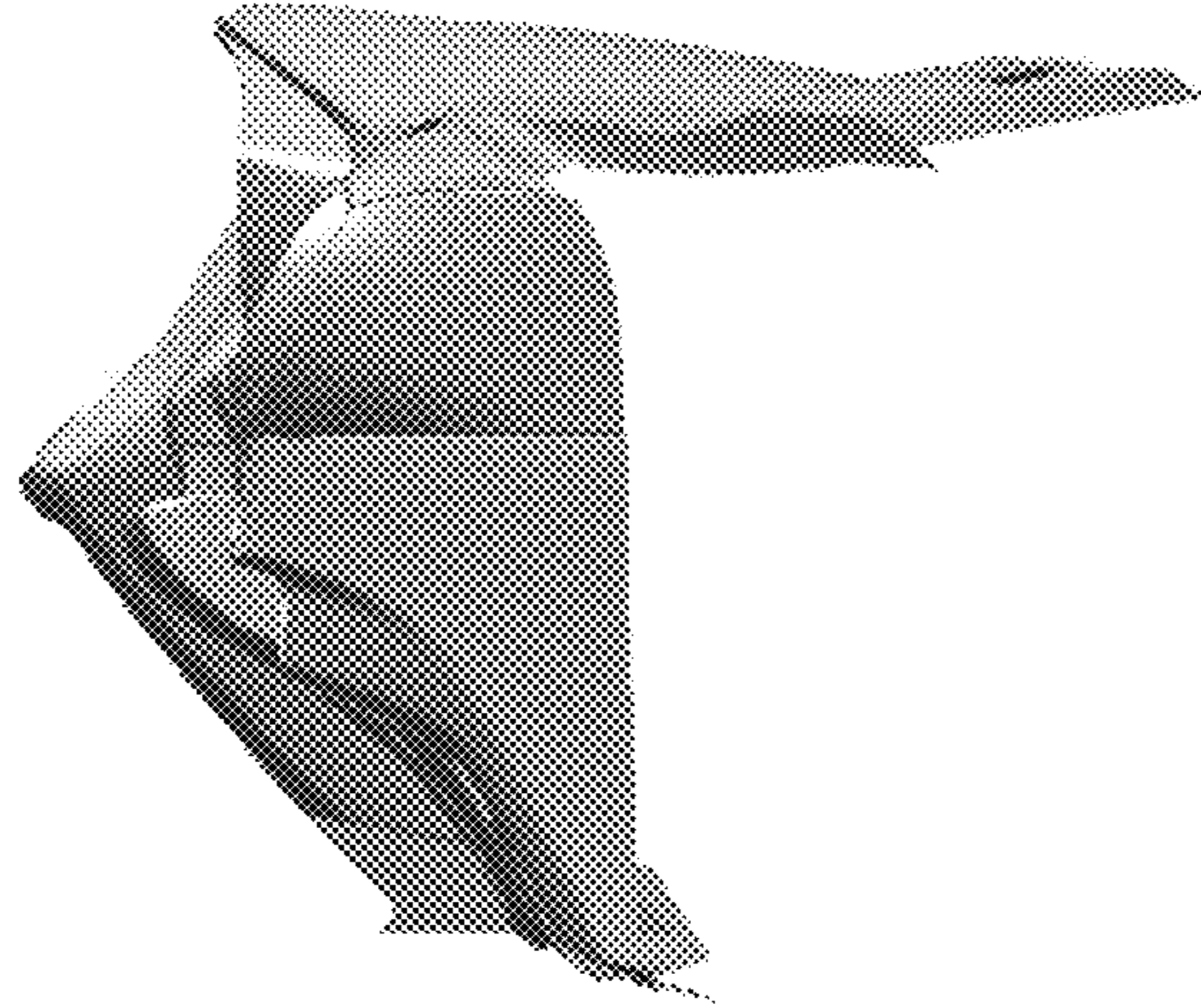


FIG. 6

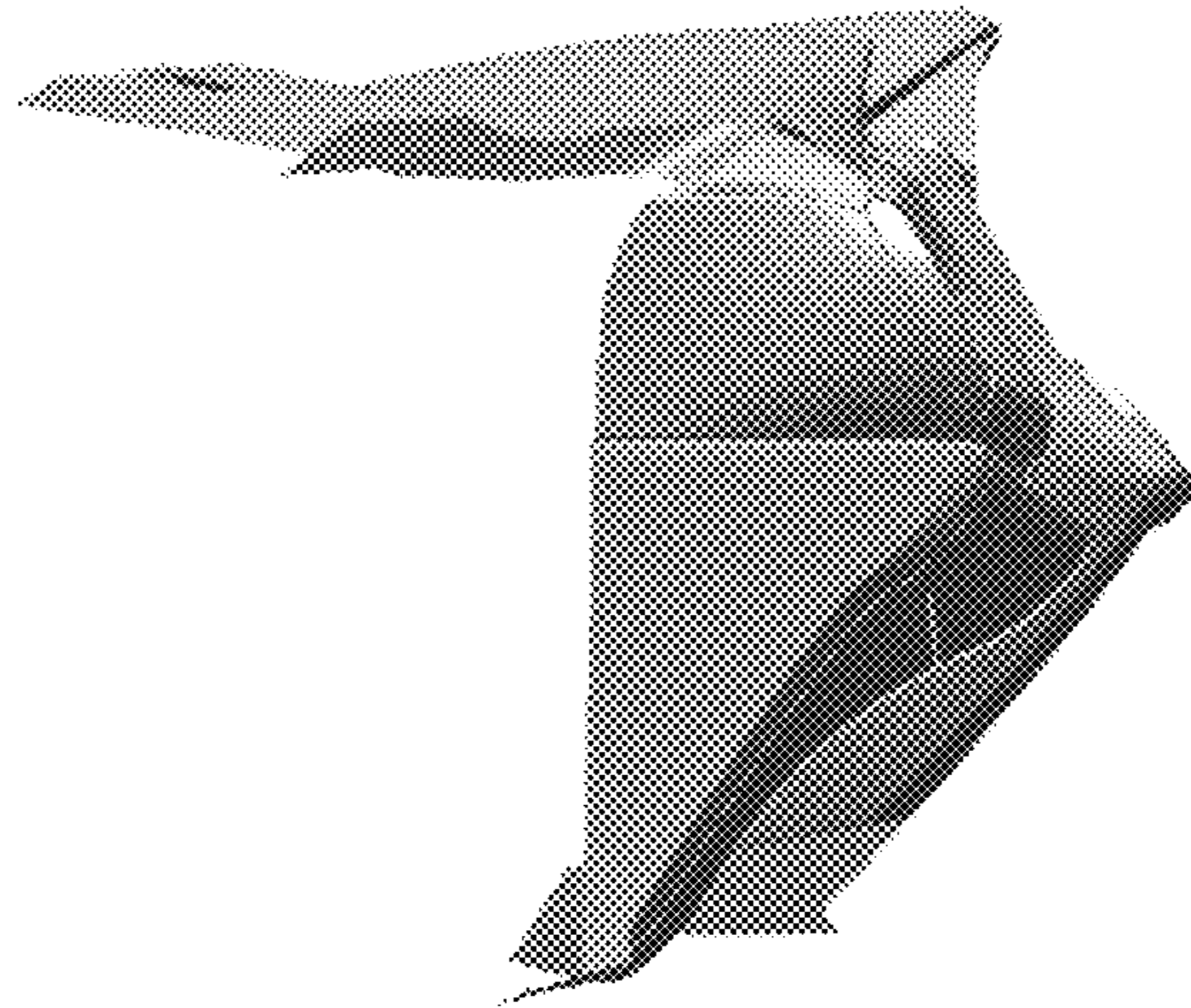


FIG. 7