



US00D697455S

(12) **United States Design Patent**
Kubota et al.

(10) **Patent No.:** **US D697,455 S**
(45) **Date of Patent:** **** Jan. 14, 2014**

(54) **AUTOMOBILE**

- (75) Inventors: **Akira Kubota**, Toyota (JP); **Takuya Watabe**, Toyota (JP)
- (73) Assignee: **Toyota Jidosha Kabushiki Kaisha** (JP)
- (**) Term: **14 Years**
- (21) Appl. No.: **29/429,205**
- (22) Filed: **Aug. 8, 2012**
- (51) **LOC (10) Cl.** **12-16**
- (52) **U.S. Cl.**
USPC **D12/164**
- (58) **Field of Classification Search**
USPC D12/86, 90-92, 164; D21/424, 433,
D21/434; 296/181.1, 181.5
See application file for complete search history.

(56) **References Cited**

U.S. PATENT DOCUMENTS

D589,854 S *	4/2009	Suga et al.	D12/164
D608,701 S *	1/2010	Burki et al.	D12/164
D622,192 S *	8/2010	Yagi et al.	D12/164
D626,466 S *	11/2010	Reichman et al.	D12/164
D638,335 S *	5/2011	Suga et al.	D12/164
D640,611 S *	6/2011	Kumai et al.	D12/164
D640,612 S *	6/2011	Kumai et al.	D12/164
D643,788 S *	8/2011	Sowa et al.	D12/164
D652,351 S *	1/2012	Ikuma et al.	D12/91
D654,399 S *	2/2012	Kumai et al.	D12/91
D660,213 S *	5/2012	Ikuma et al.	D12/196
D671,045 S *	11/2012	Fetherston et al.	D12/164
D672,688 S *	12/2012	Kubota et al.	D12/91
D676,364 S *	2/2013	Yamada et al.	D12/164

OTHER PUBLICATIONS

Audi, Audi Q5 Hybrid Quattro, NetCarShow.com, http://www.netcarshow.com/audi/2012-q5_hybrid_quattro/800x600/wallpaper_0d.htm, available at least as early as Mar. 21, 2011.
Mitsubishi, Mitsubishi Outlander ES 2008, NetCarShow.com, http://www.netcarshow.com/mitsubishi/2008-outlander_es/800x600/wallpaper_0e.htm, available in 2009.

* cited by examiner

Primary Examiner — Melody Brown

(74) *Attorney, Agent, or Firm* — SAIDMAN DesignLaw Group

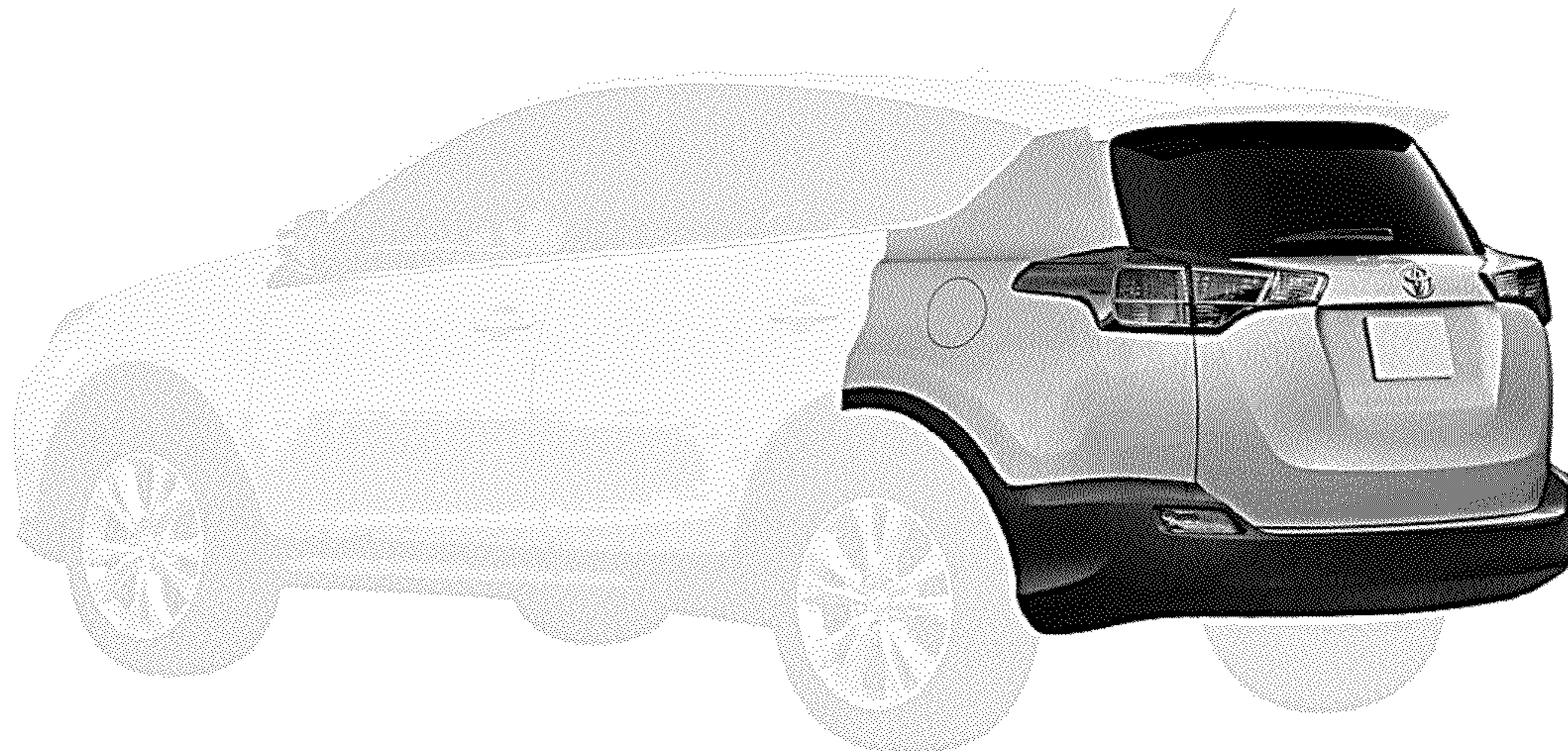
(57) **CLAIM**

The ornamental design for an automobile, as shown and described.

DESCRIPTION

FIG. 1 is a front perspective view of an automobile showing our new design;
FIG. 2 is a rear perspective view thereof;
FIG. 3 is a front view thereof;
FIG. 4 is a rear view thereof;
FIG. 5 is a right side view thereof, the left side view being a mirror image; and,
FIG. 6 is a top view thereof.
The claimed design is indicated by the relatively dark portions in the figures, while the relatively light portions are environmental and form no part of the claimed design.

1 Claim, 3 Drawing Sheets



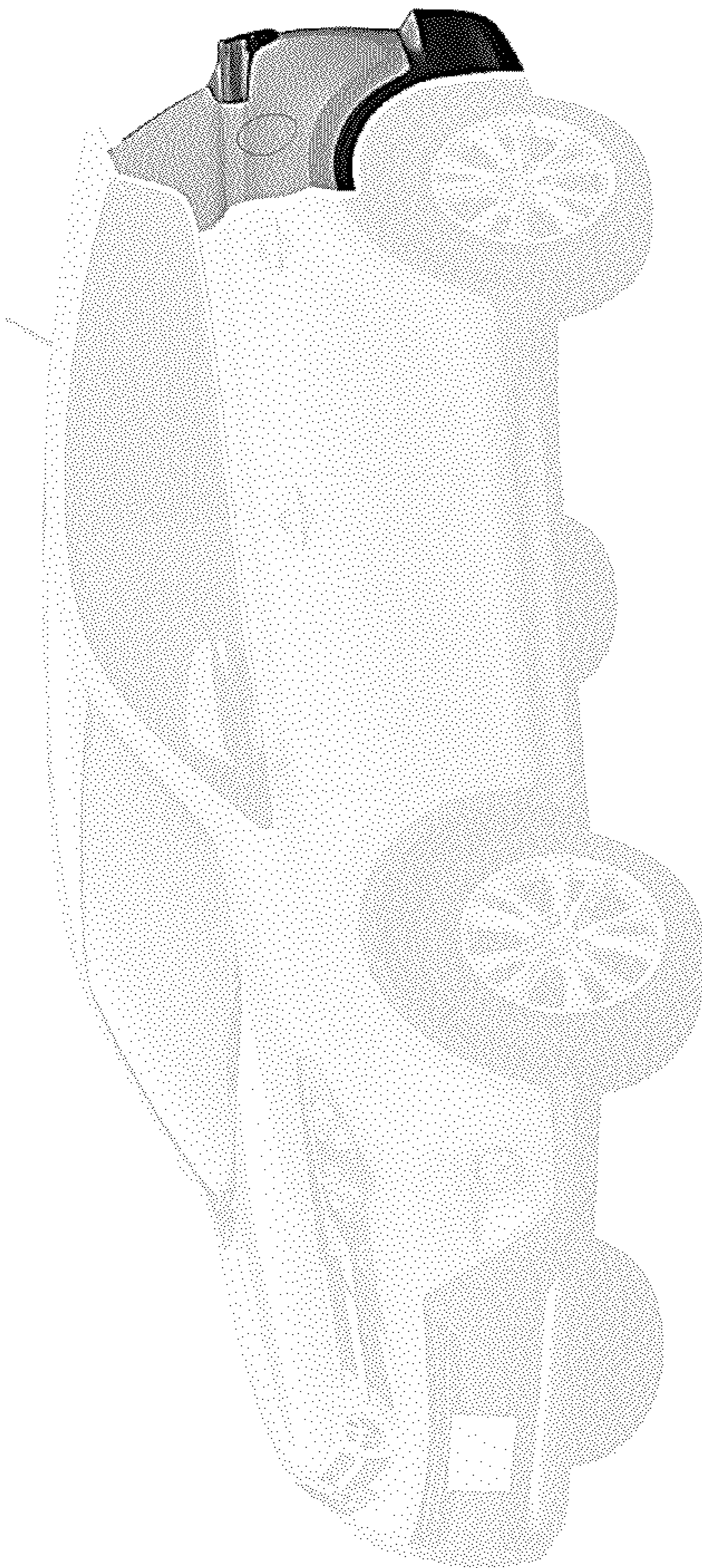


FIG. 1



FIG. 2

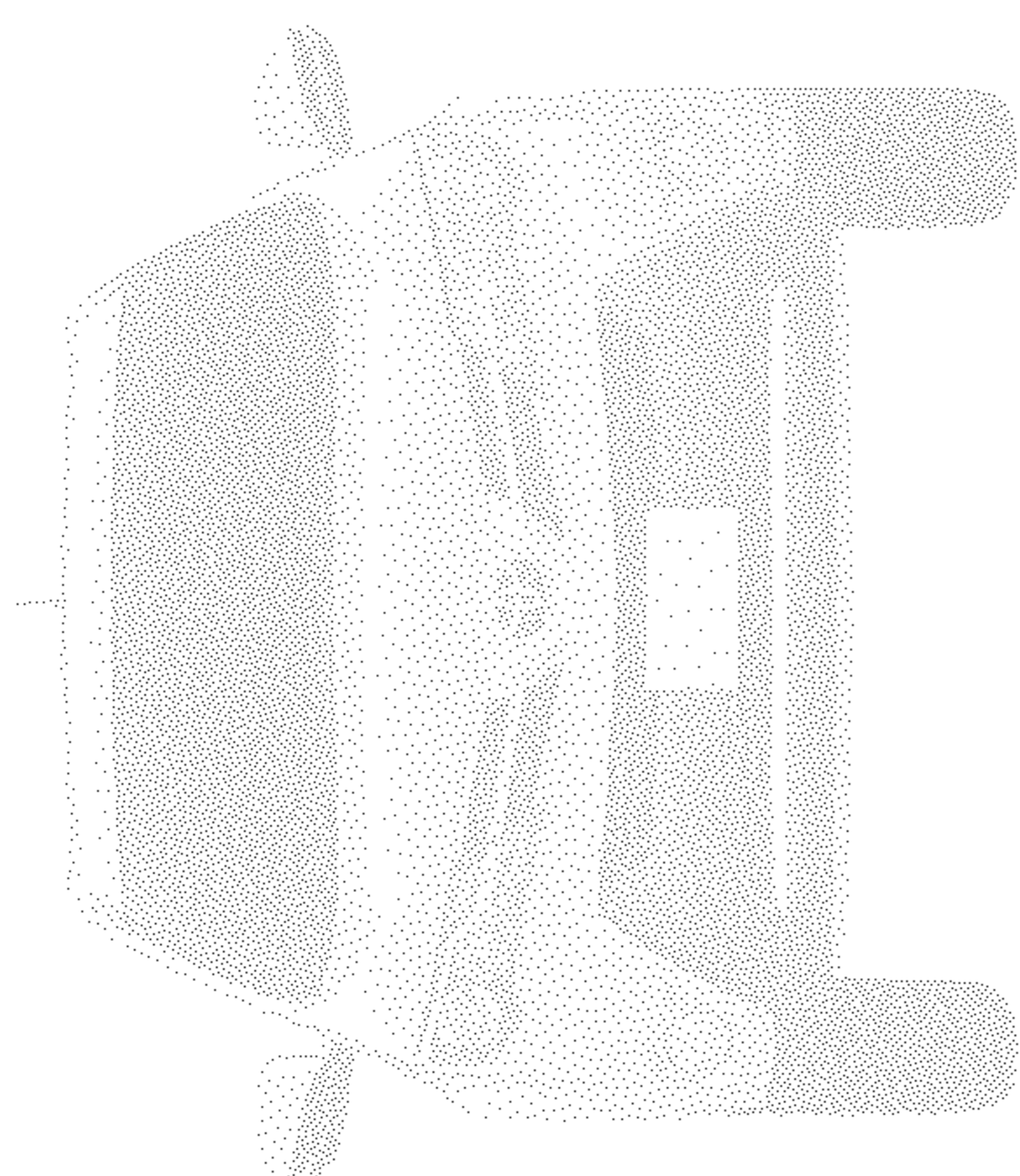


FIG. 3



FIG. 4

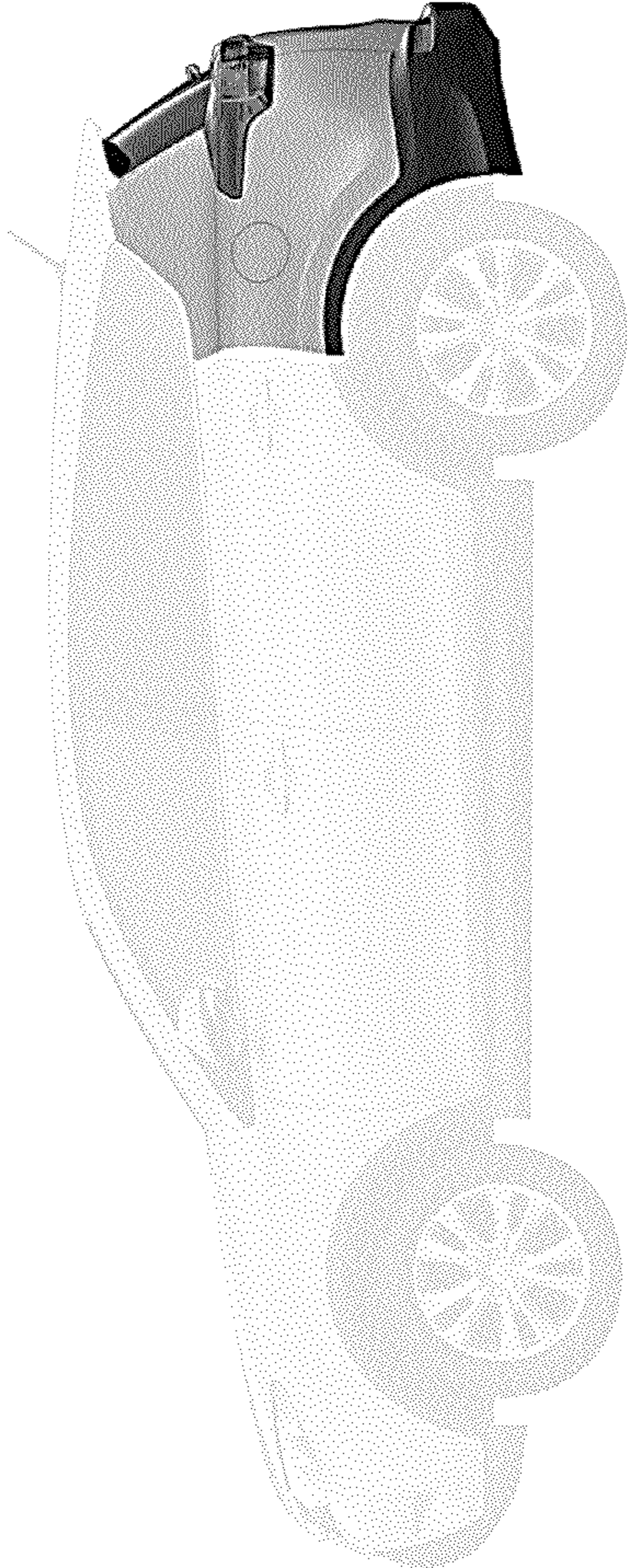


FIG. 5

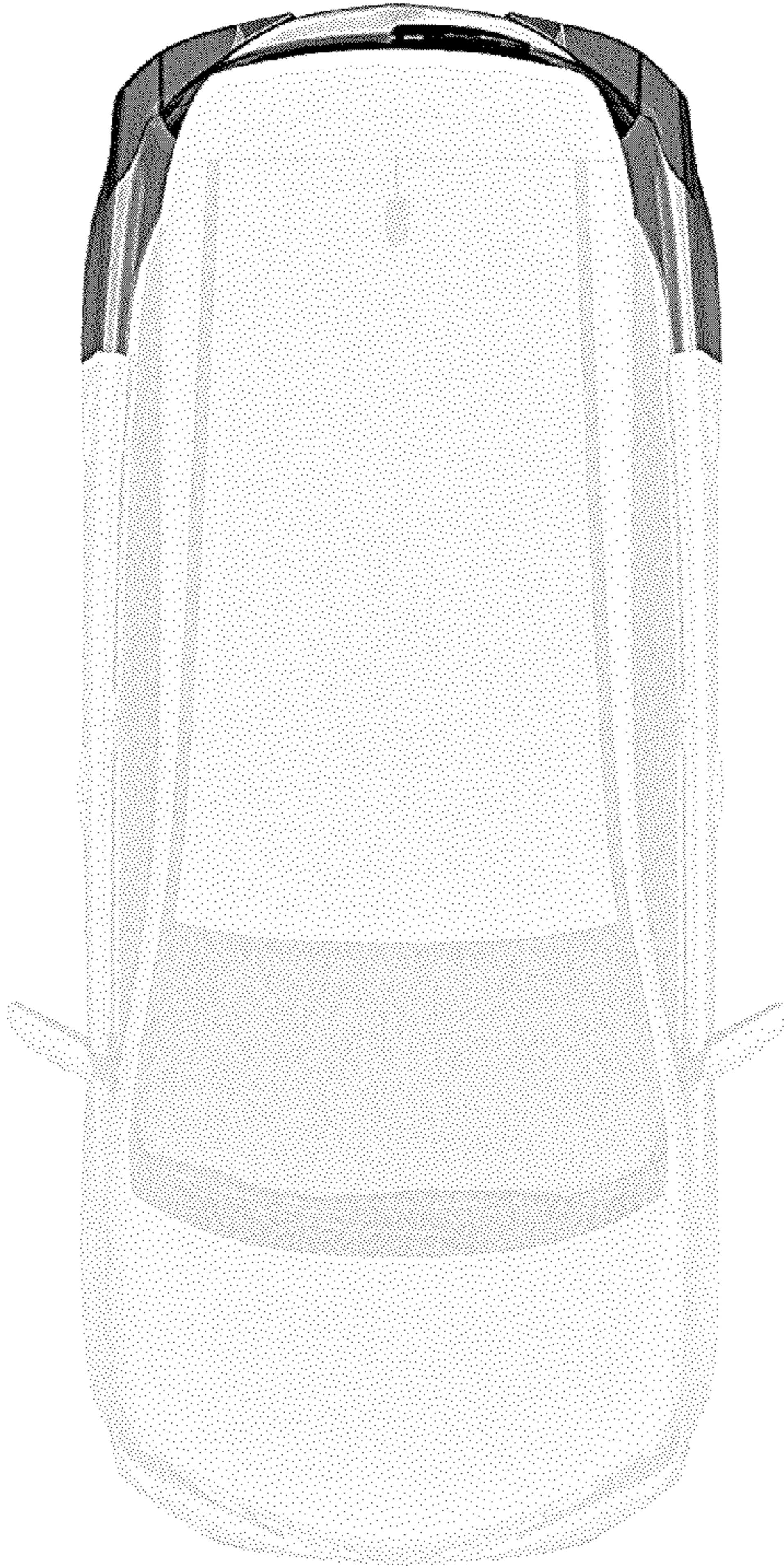


FIG. 6