



US00D697446S

(12) **United States Design Patent**  
**Marsh, Jr.**

(10) **Patent No.:** **US D697,446 S**  
(45) **Date of Patent:** **\*\* Jan. 14, 2014**

(54) **HEART PENDANT**

(71) Applicant: **William W. Marsh, Jr.**, Johnstown, PA  
(US)

(72) Inventor: **William W. Marsh, Jr.**, Johnstown, PA  
(US)

(\*\*) Term: **14 Years**

(21) Appl. No.: **29/453,697**

(22) Filed: **May 1, 2013**

(51) **LOC (10) Cl.** ..... **11-01**

(52) **U.S. Cl.**  
USPC ..... **D11/81; D11/56**

(58) **Field of Classification Search**  
USPC ..... D11/1-26, 40-44, 46-49, 53, 56-57,  
D11/59-61, 63, 65, 79-86; 63/1.11, 18-20,  
63/15  
See application file for complete search history.

(56) **References Cited**

**U.S. PATENT DOCUMENTS**

D146,312 S \* 2/1947 Katz ..... D11/56  
D242,644 S \* 12/1976 Spruck ..... D11/44

D263,813 S \* 4/1982 Buschmann ..... D11/83  
D375,702 S \* 11/1996 Regan ..... D11/81  
D444,780 S \* 7/2001 Nunez ..... D14/191  
D528,036 S \* 9/2006 Pang ..... D11/103  
D556,631 S \* 12/2007 Smyth ..... D11/211  
D657,282 S \* 4/2012 dos Santos Villar Filho . D11/56

\* cited by examiner

*Primary Examiner* — Jennifer Rivard

*Assistant Examiner* — Melanie Pellegrini

(74) *Attorney, Agent, or Firm* — Gary P. Topolosky

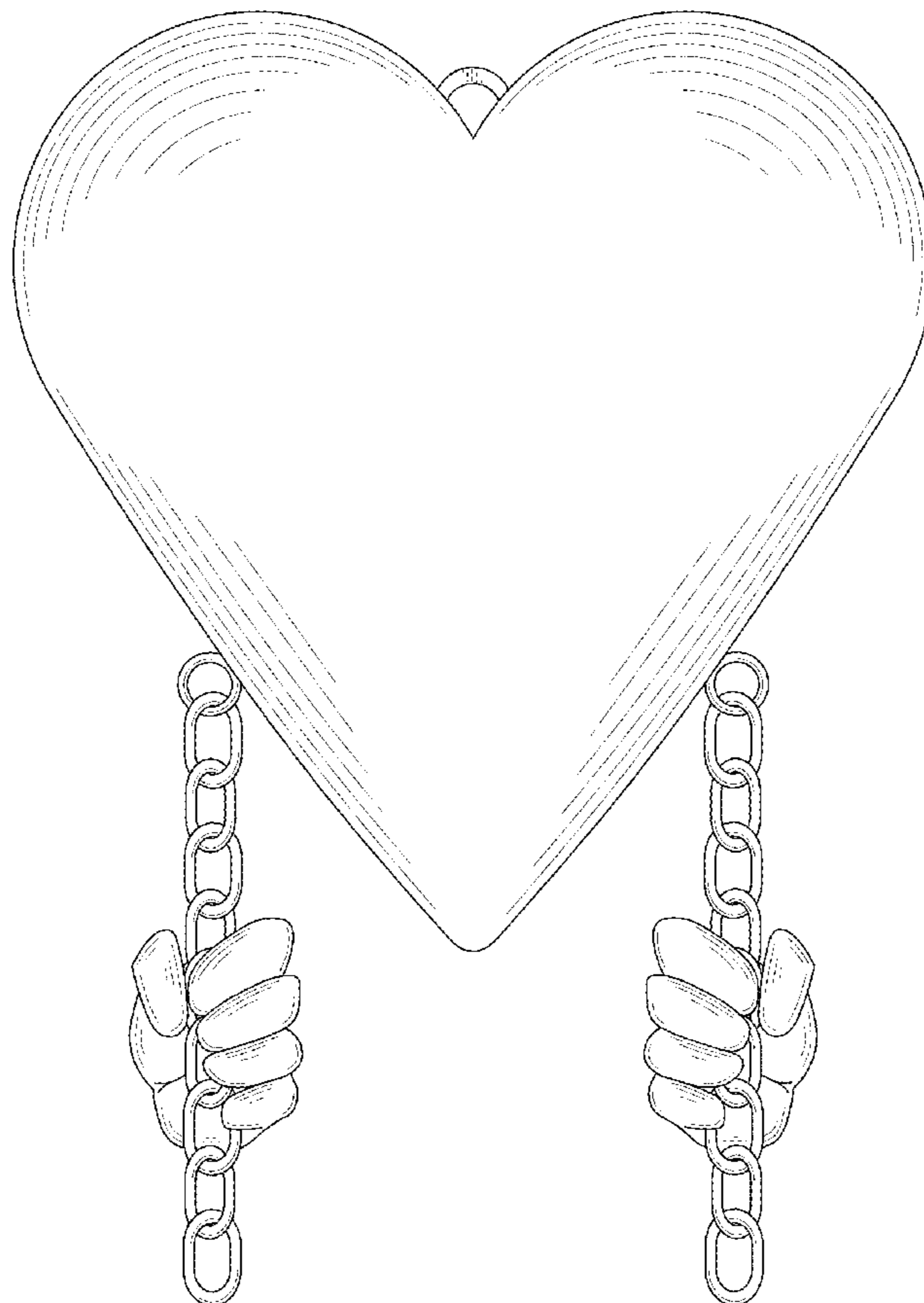
(57) **CLAIM**

I claim the ornamental design for a heart pendant, as shown and described.

**DESCRIPTION**

FIG. 1 is a front elevational view of a heart pendant showing my new design;  
FIG. 2 is a rear elevational view thereof;  
FIG. 3 is a left side elevational view thereof;  
FIG. 4 is a right side elevational view;  
FIG. 5 is a top plan view thereof; and,  
FIG. 6 is a bottom plan view.

**1 Claim, 4 Drawing Sheets**



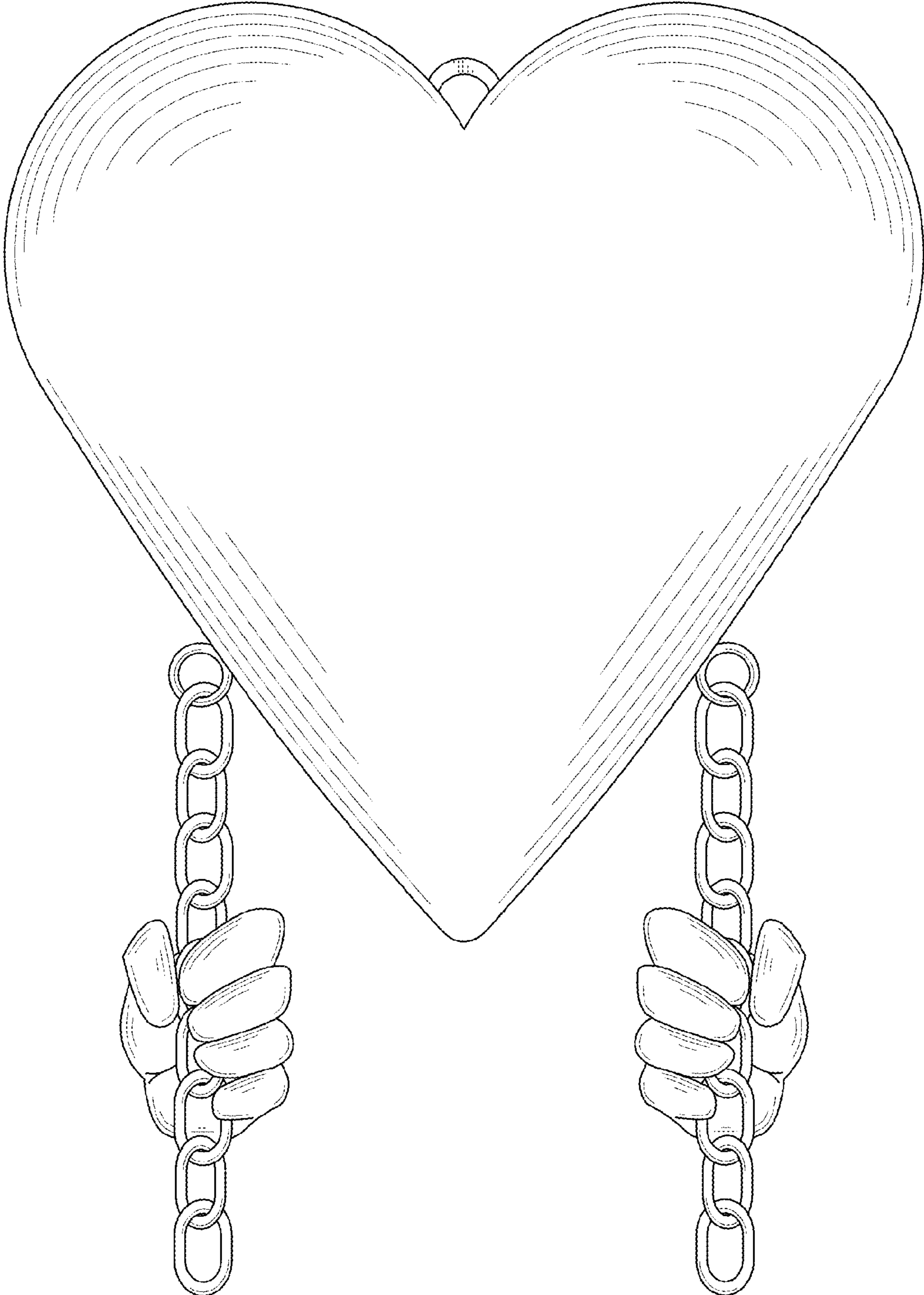


FIG. 1

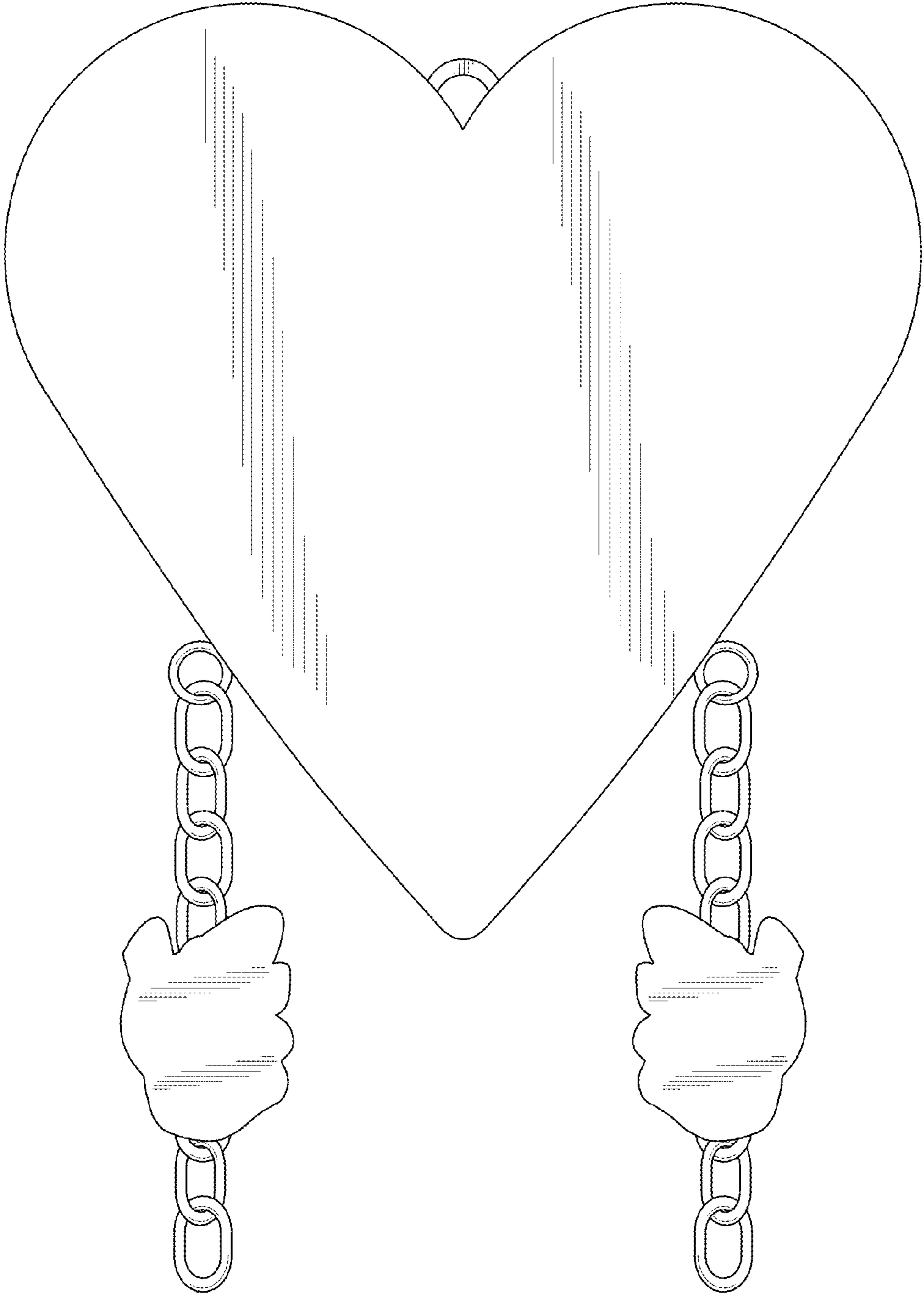


FIG. 2

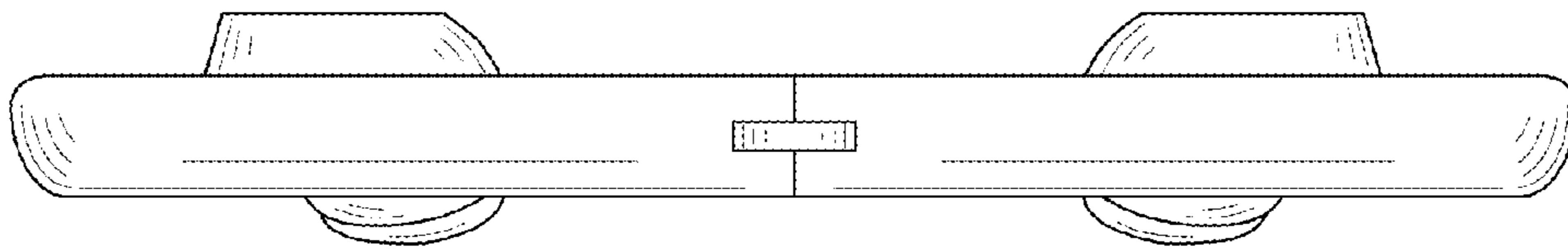


FIG. 3

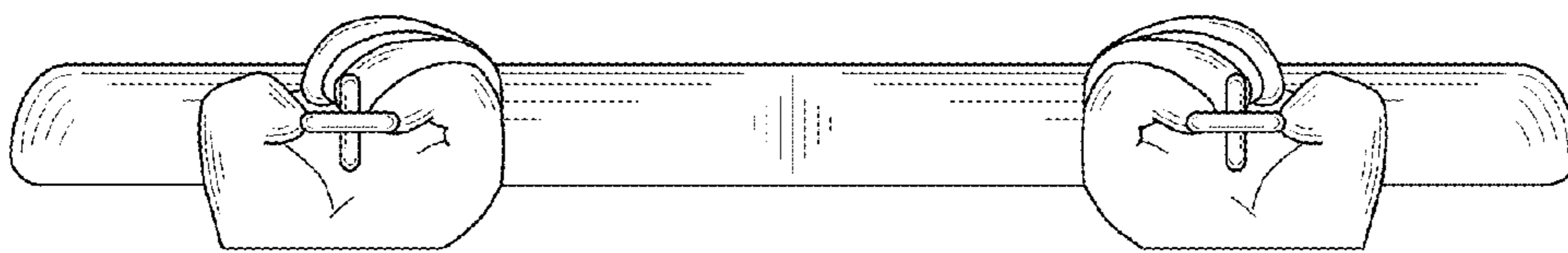


FIG. 4

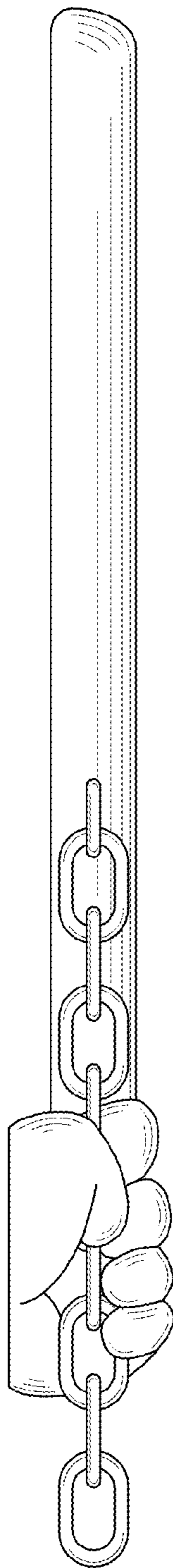


FIG. 5

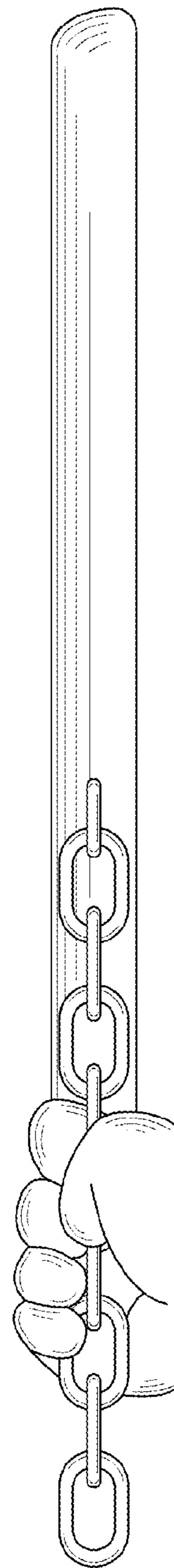


FIG. 6