

US00D697443S

(12) **United States Design Patent**  
**Wheaton et al.**

(10) **Patent No.:** **US D697,443 S**  
(45) **Date of Patent:** **\*\* Jan. 14, 2014**

(54) **CURRENT MEASUREMENT TOOL**

*Primary Examiner* — Antoine D Davis

(71) Applicants: **David Lauren Wheaton**, Sherwood, OR (US); **Sean Patrick Tierney**, Milwaukee, OR (US); **Michael John Kane**, Portland, OR (US)

(74) *Attorney, Agent, or Firm* — J. Douglas Wells

(57) **CLAIM**

The ornamental design for a current measurement tool, as shown and described.

(72) Inventors: **David Lauren Wheaton**, Sherwood, OR (US); **Sean Patrick Tierney**, Milwaukee, OR (US); **Michael John Kane**, Portland, OR (US)

**DESCRIPTION**

(73) Assignee: **Universal Enterprises, Incorporated**, Beaverton, OR (US)

FIG. 1 is a perspective view of a first embodiment of a current measurement tool, showing my new design; FIG. 2 is a front elevation view of the tool shown in FIG. 1; FIG. 3 is a rear elevation view of the tool shown in FIG. 1; FIG. 4 is a top plan view of the tool shown in FIG. 1; FIG. 5 is a right side view of the tool shown in FIG. 1; FIG. 6 is a bottom plan view of the hook meter shown in FIG. 1;

(\*\*) Term: **14 Years**

(21) Appl. No.: **29/462,091**

(22) Filed: **Jul. 30, 2013**

FIG. 7 is a left side view of the tool shown in FIG. 1; FIG. 8 is a perspective view of a second embodiment of a current measurement tool, showing my new design, wherein the shaded areas represent a contrasted color of a current measurement tool;

**Related U.S. Application Data**

(62) Division of application No. 29/426,155, filed on Jul. 1, 2012, now Pat. No. Des. 688,145, and a division of application No. 29/385,379, filed on Feb. 13, 2011, now Pat. No. Des. 666,515.

FIG. 9 is a front elevation view of the tool shown in FIG. 8; FIG. 10 is a rear elevation view of the tool shown in FIG. 8; FIG. 11 is a top plan view of the tool shown in FIG. 8; FIG. 12 is a right side view of the tool shown in FIG. 8; FIG. 13 is a bottom plan view of the tool shown in FIG. 8; and FIG. 14 is a left side view of the tool shown in FIG. 8;

(51) **LOC (10) Cl.** ..... **10-04**

(52) **U.S. Cl.**  
USPC ..... **D10/79**

(58) **Field of Classification Search**  
USPC ..... D10/79, 80; 324/66, 67, 72, 72.5, 324/522-524, 127, 117 H, 117 R, 126, 623, 324/76.11, 529, 379, 555, 556, 133, 503, 324/508-512, 543, 544, 76.39, 754, 141, 324/635, 660-664, 754.02; 340/635, 687  
See application file for complete search history.

FIG. 15 is a perspective view of a second embodiment of a current measurement tool, showing my new design, and lined for the color orange;

(56) **References Cited**

**U.S. PATENT DOCUMENTS**

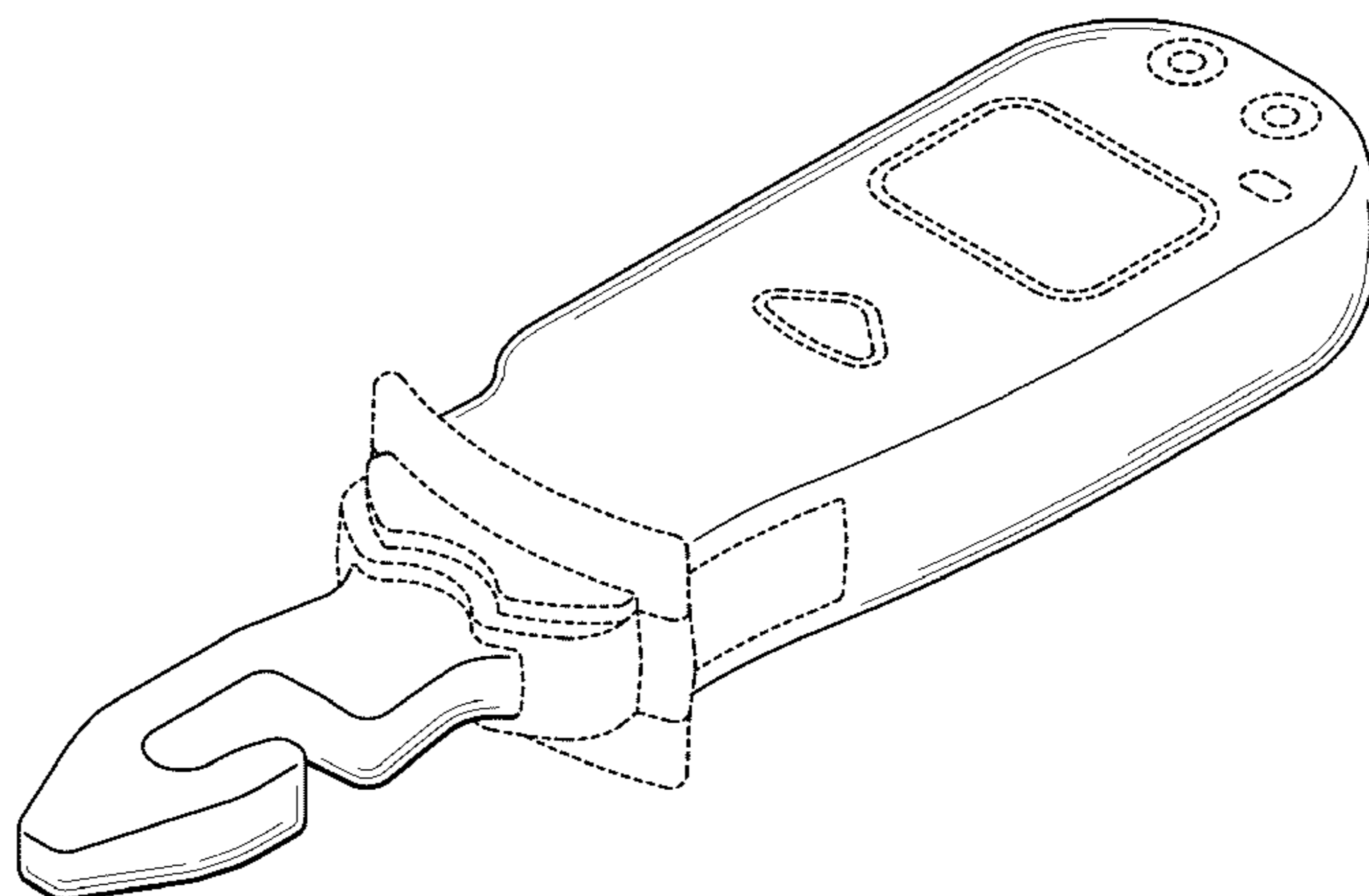
D261,738 S \* 11/1981 Shumway ..... D10/80  
5,130,642 A \* 7/1992 Hoffman et al. .... 324/127

FIG. 16 is a front elevation view of the tool shown in FIG. 15; FIG. 17 is a rear elevation view of the tool shown in FIG. 15; FIG. 18 is a top plan view of the tool shown in FIG. 15; FIG. 19 is a right side view of the tool shown in FIG. 15; FIG. 20 is a bottom plan view of the tool shown in FIG. 15; and,

FIG. 21 is a left side view of the tool shown in FIG. 15. The broken lines shown throughout the drawing views are for illustrative purposes only and form no part of the claimed design.

(Continued)

**1 Claim, 9 Drawing Sheets**



# US D697,443 S

Page 2

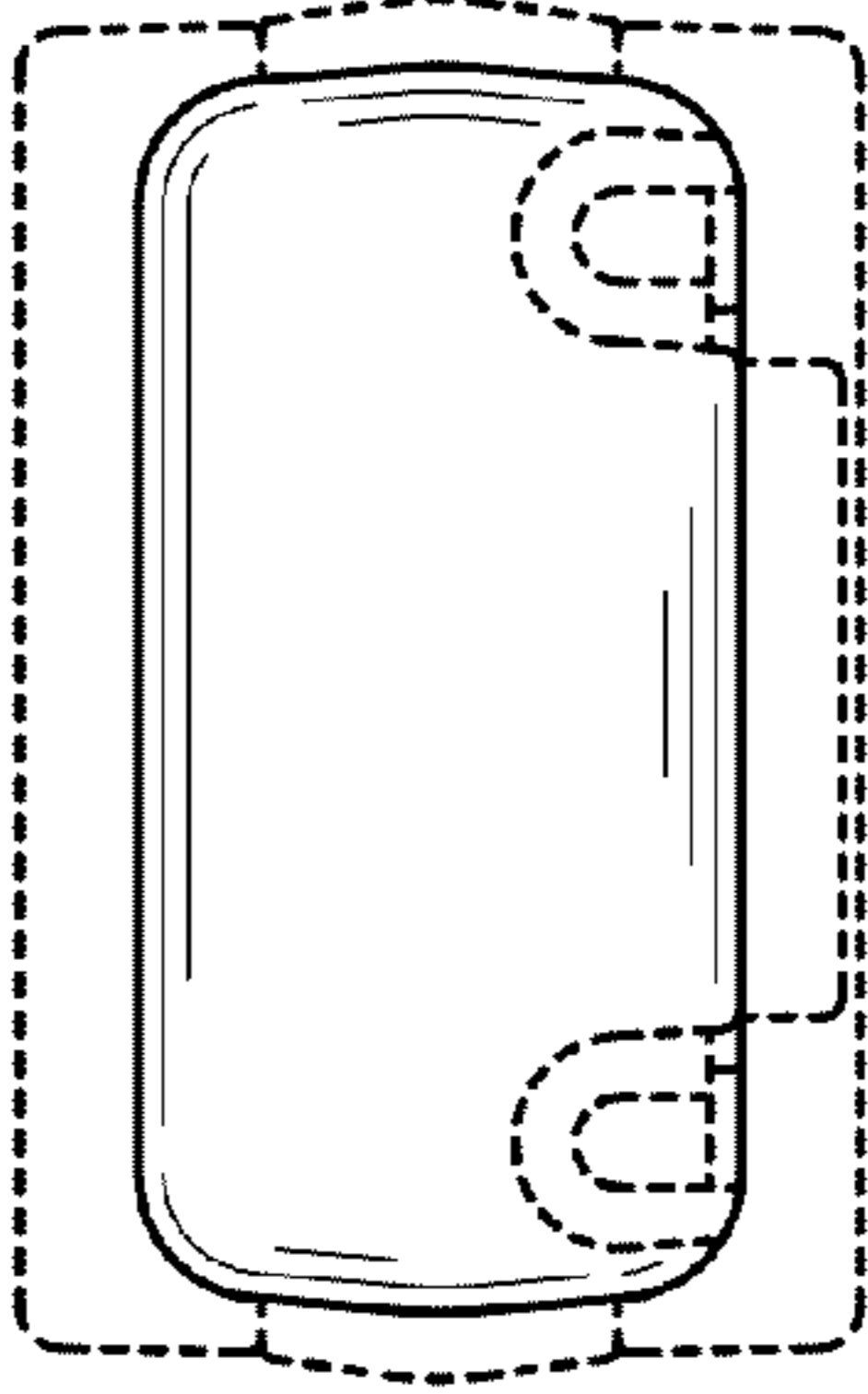
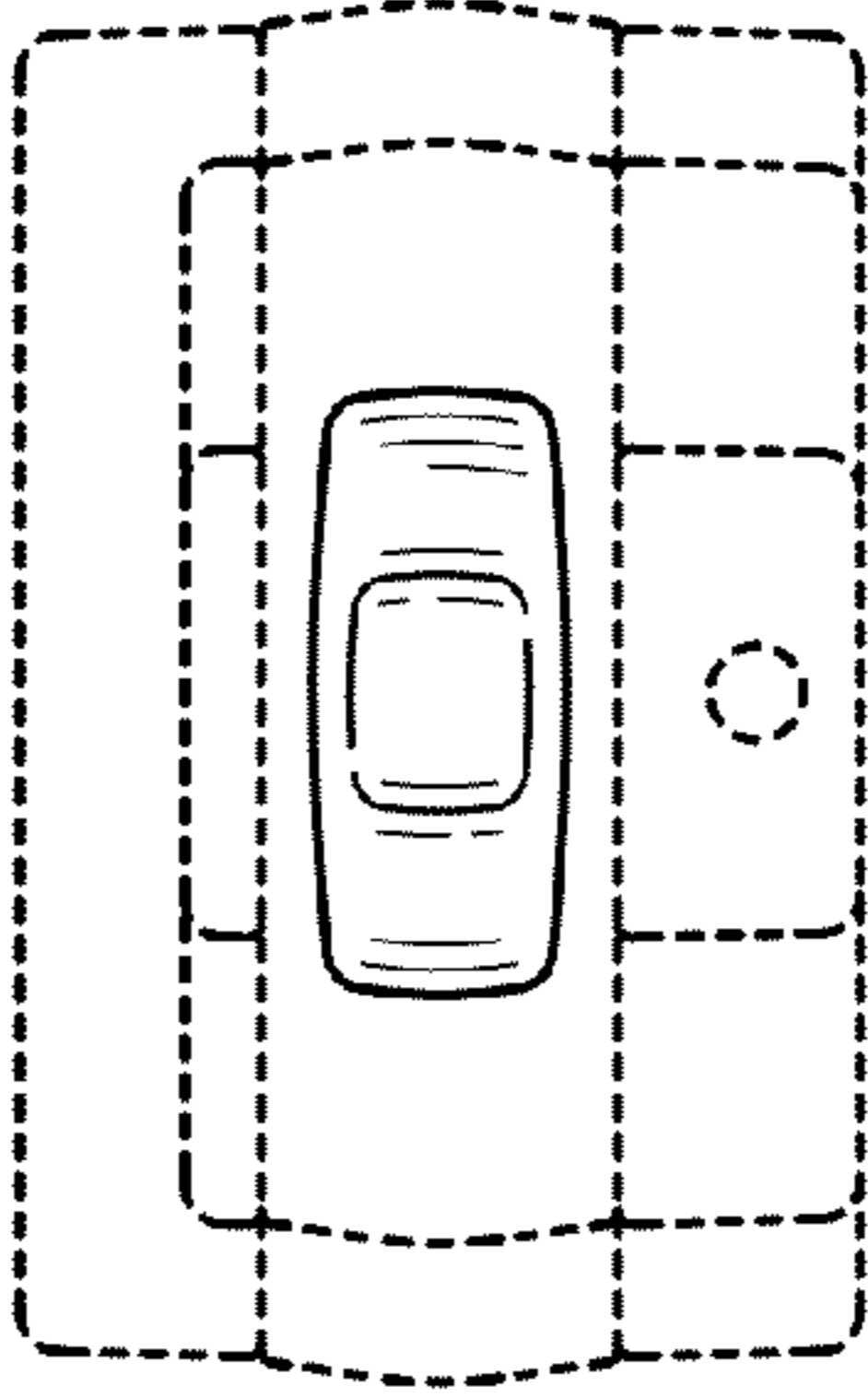
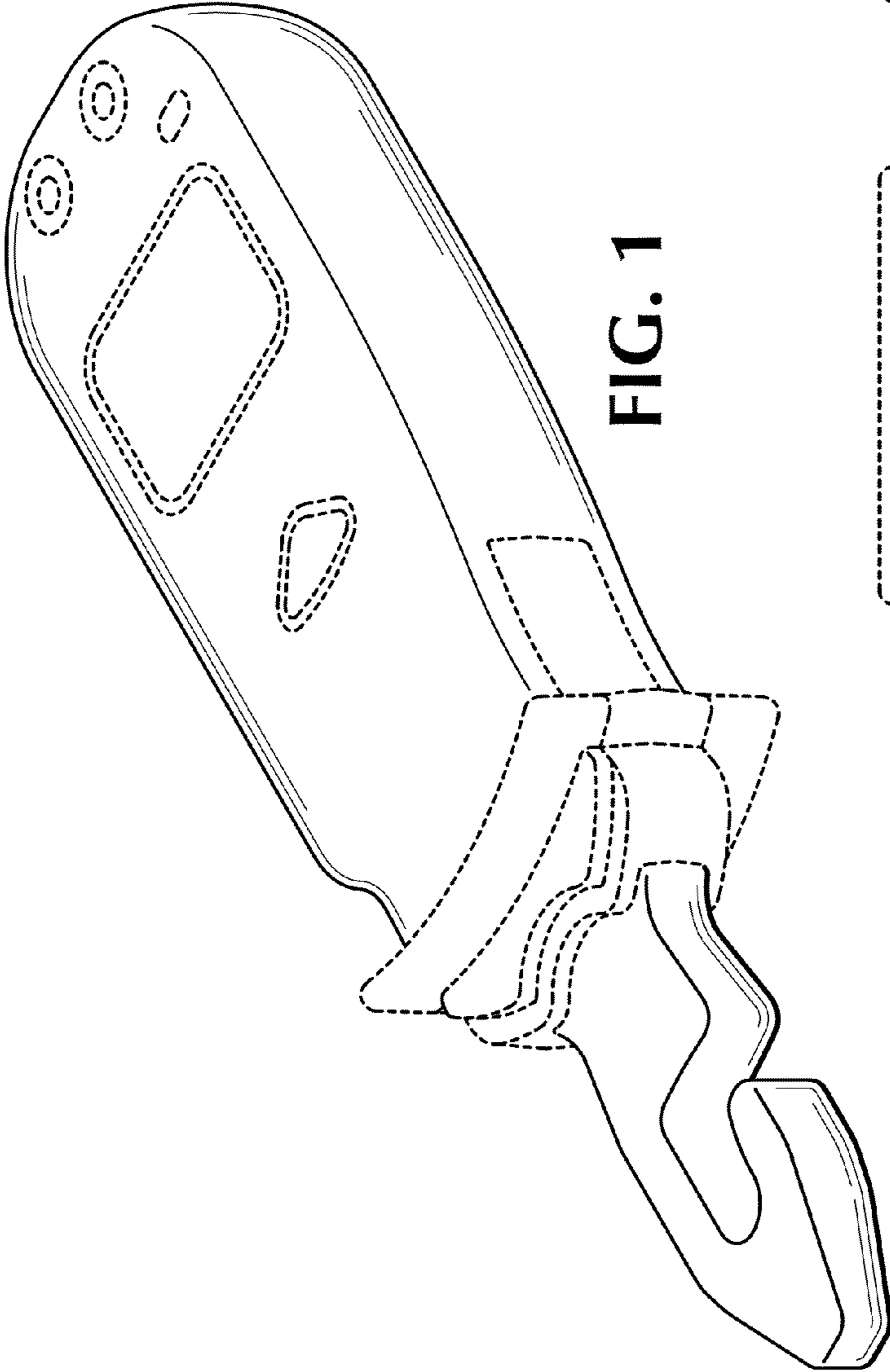
---

(56)

## References Cited

### U.S. PATENT DOCUMENTS

6,459,252 B1 *	10/2002	Bierer	.....	324/72.5	
7,327,133 B2 *	2/2008	Baker et al.	.....	324/117 H	
7,570,045 B2 *	8/2009	Wolfe et al.	.....	324/127	
6,043,640 A *	3/2000	Lauby et al.	.....	324/127	
6,452,966 B1 *	9/2002	Kaiser et al.	.....	375/228	* cited by examiner



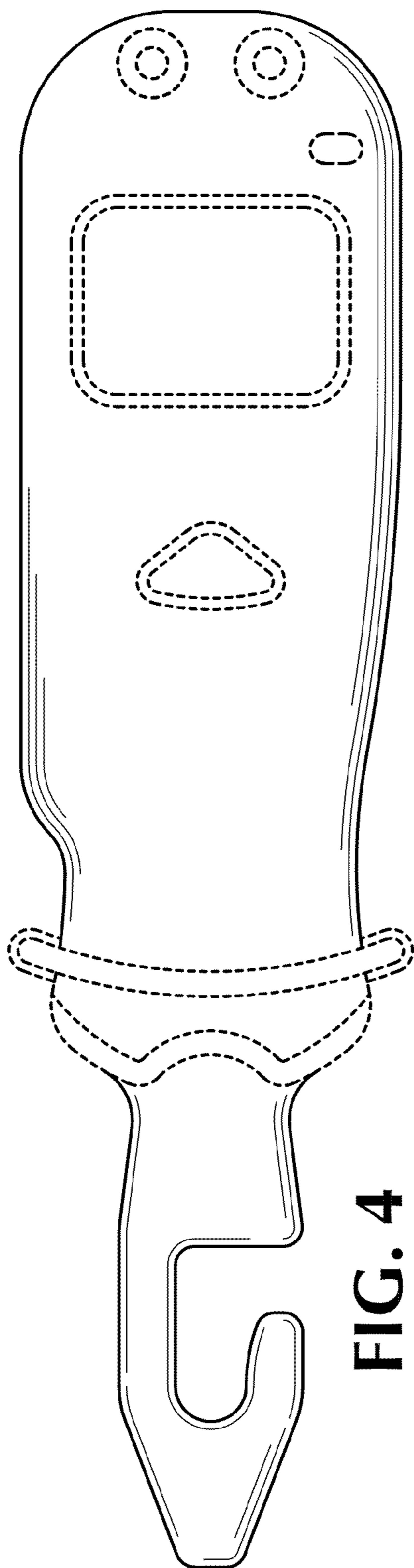


FIG. 4

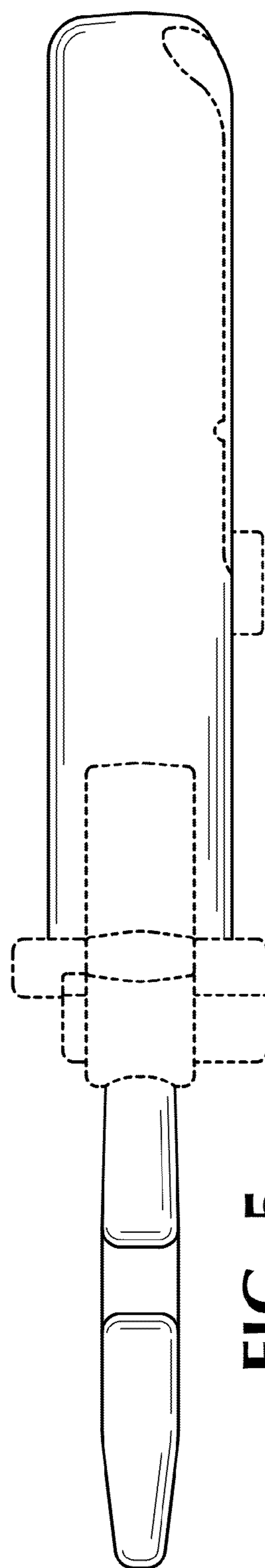


FIG. 5



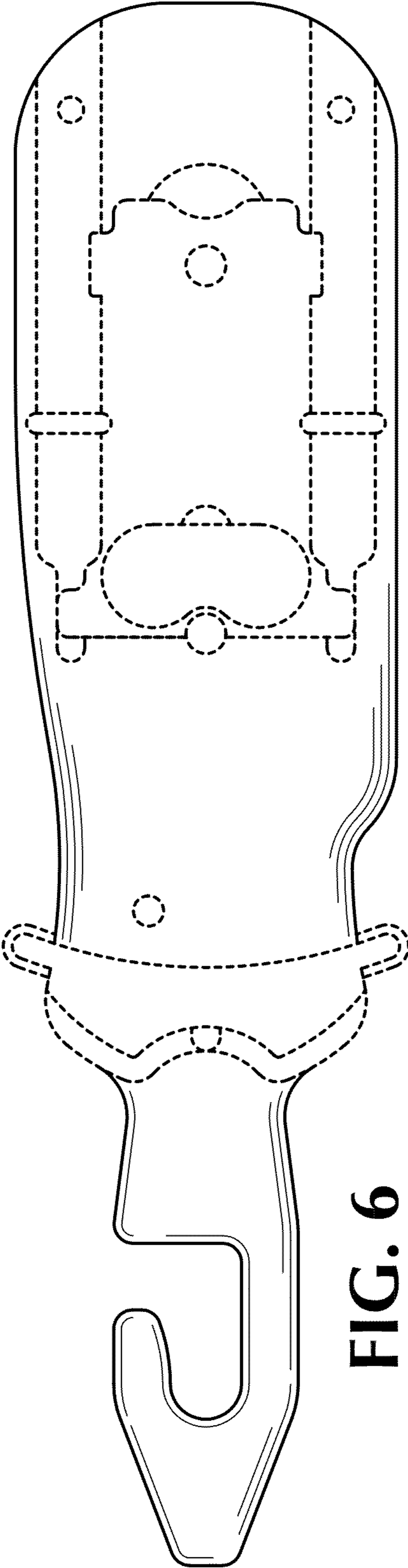


FIG. 6

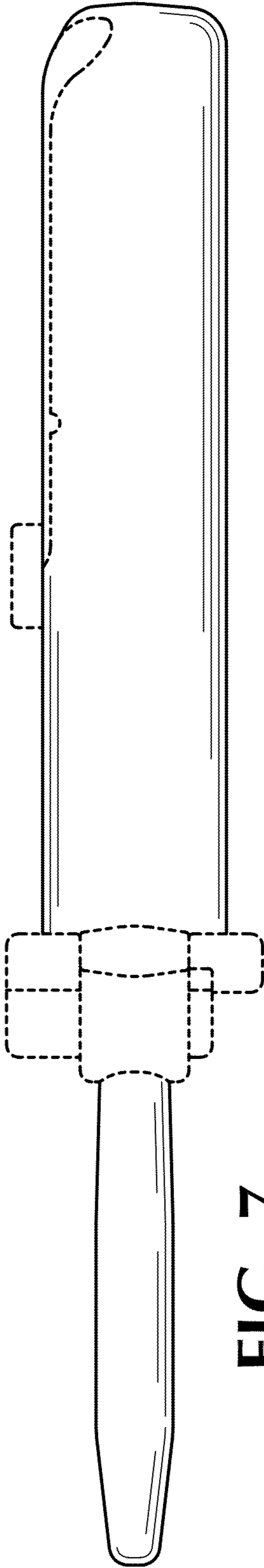


FIG. 7

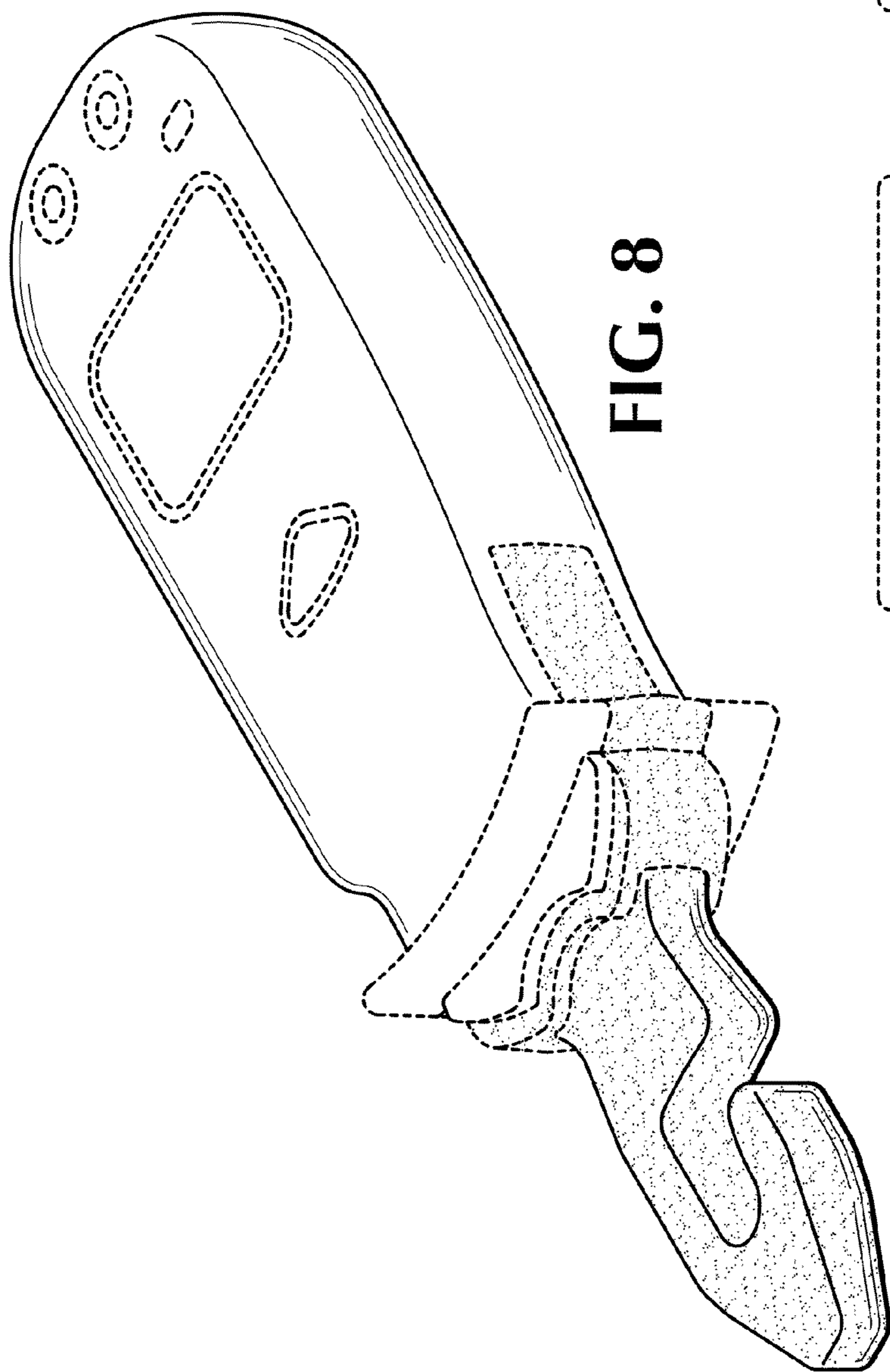


FIG. 8

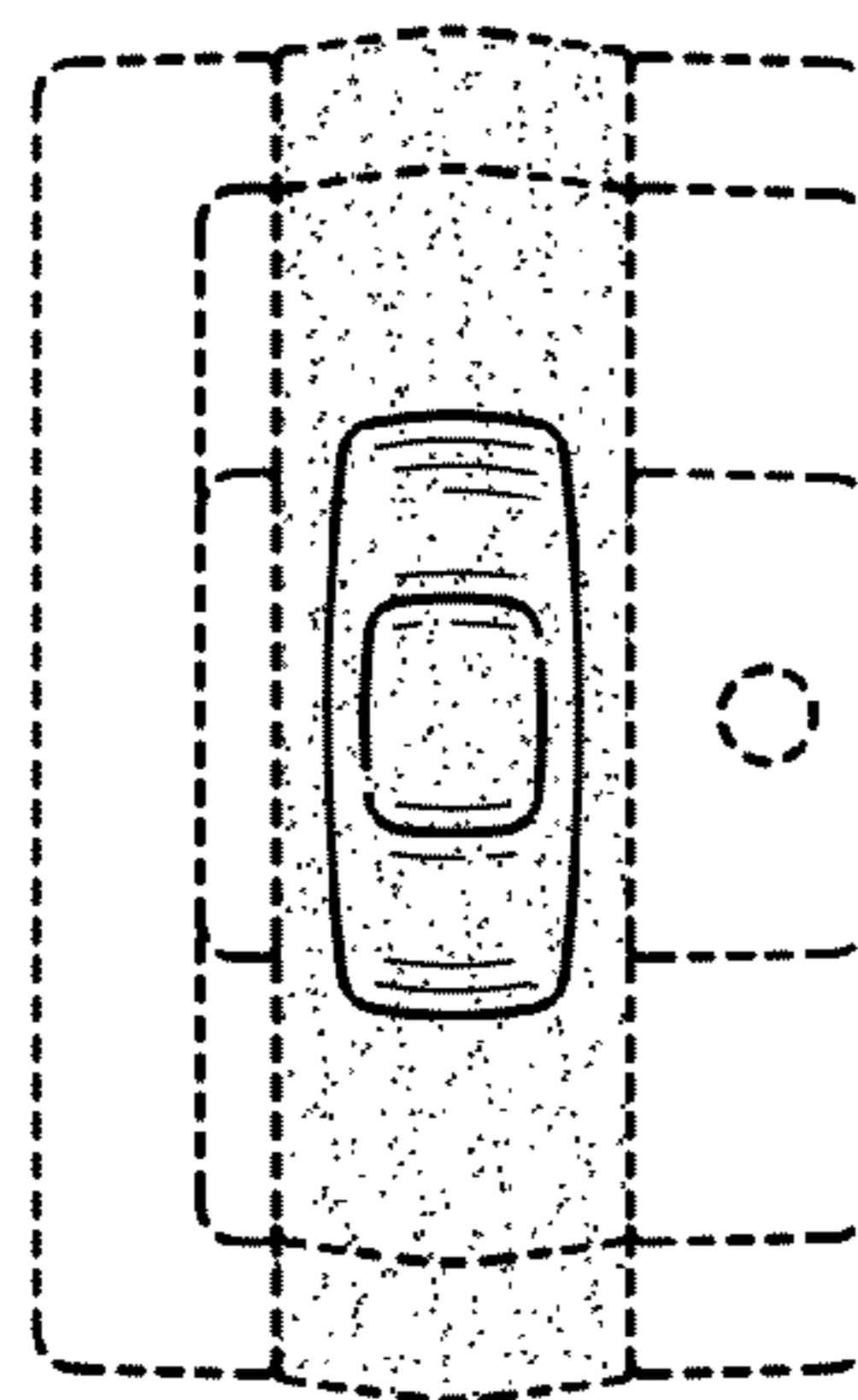


FIG. 9

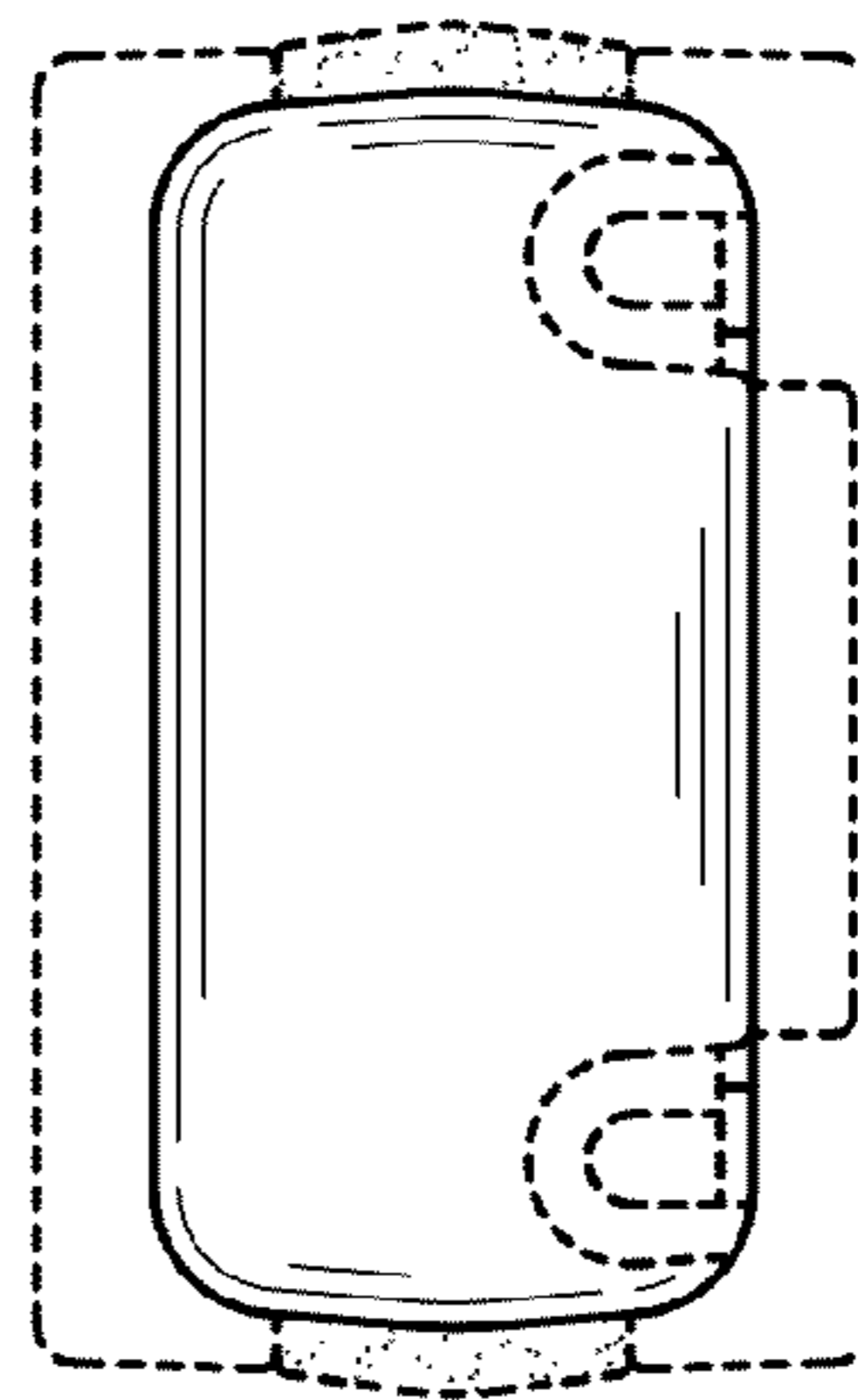
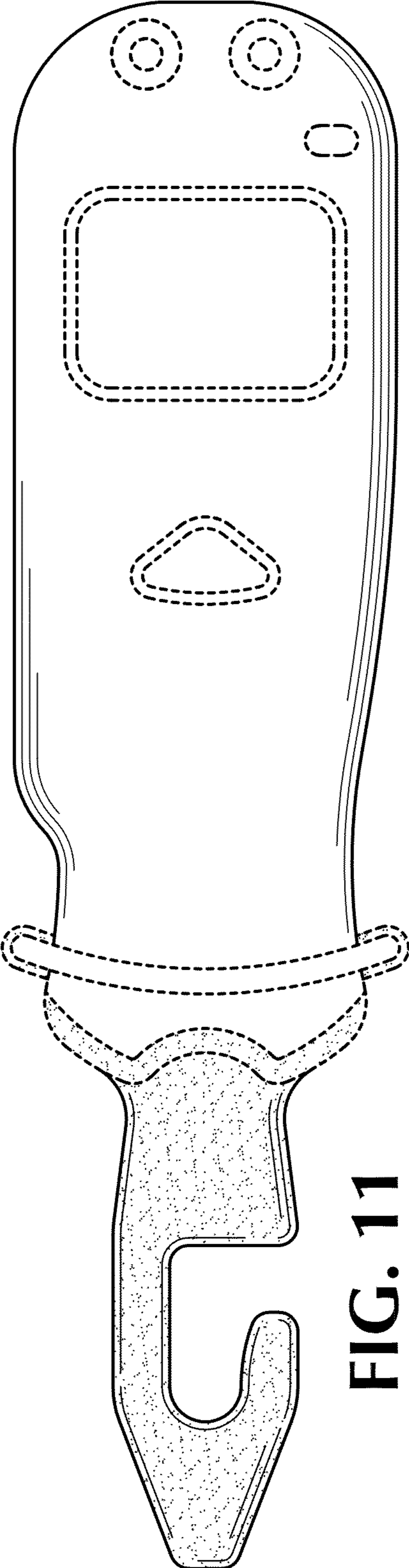
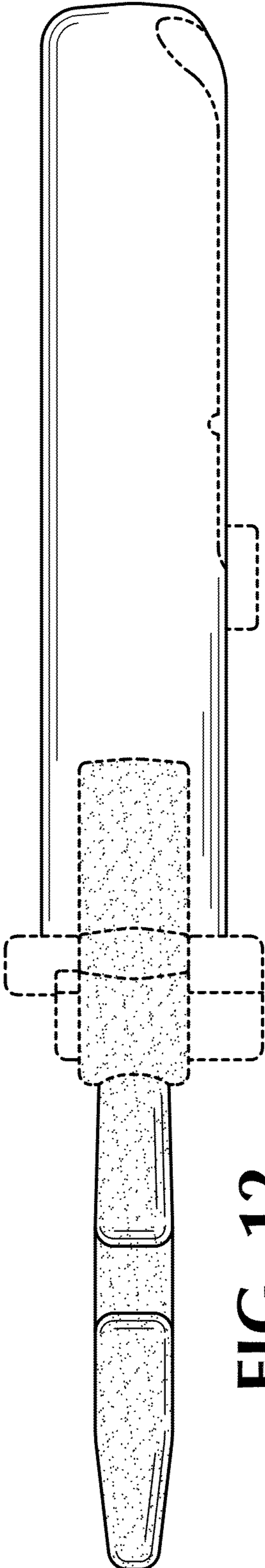


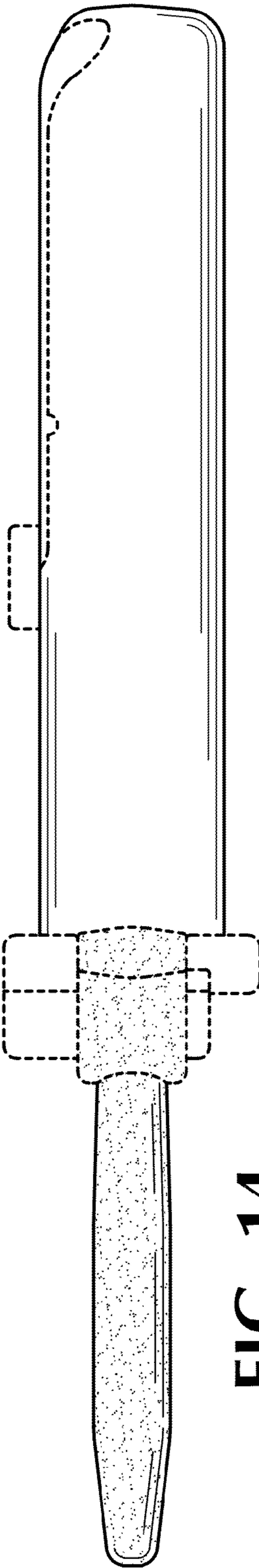
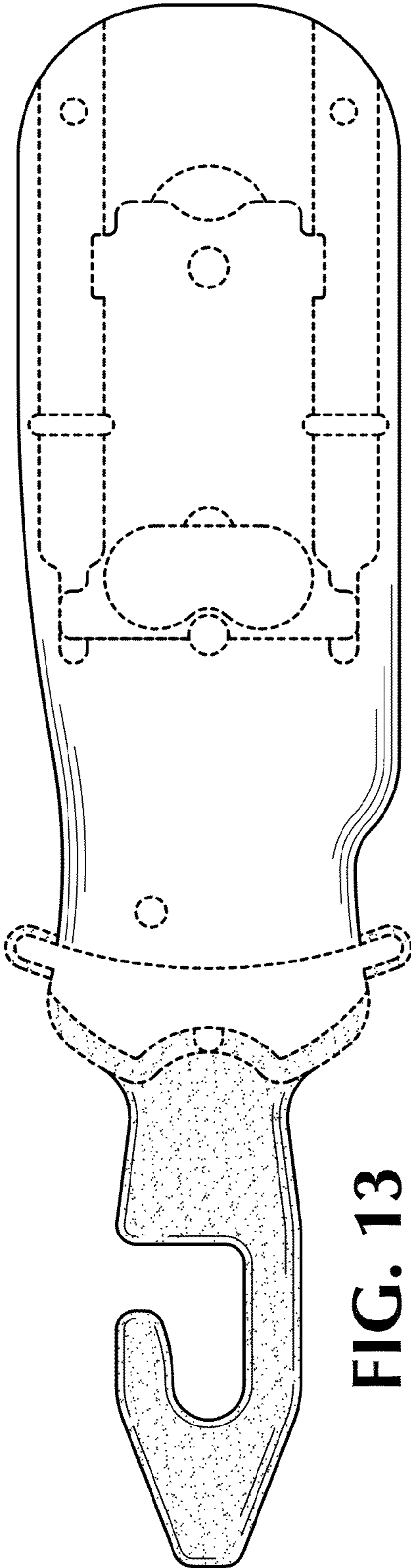
FIG. 10



**FIG. 11**



**FIG. 12**





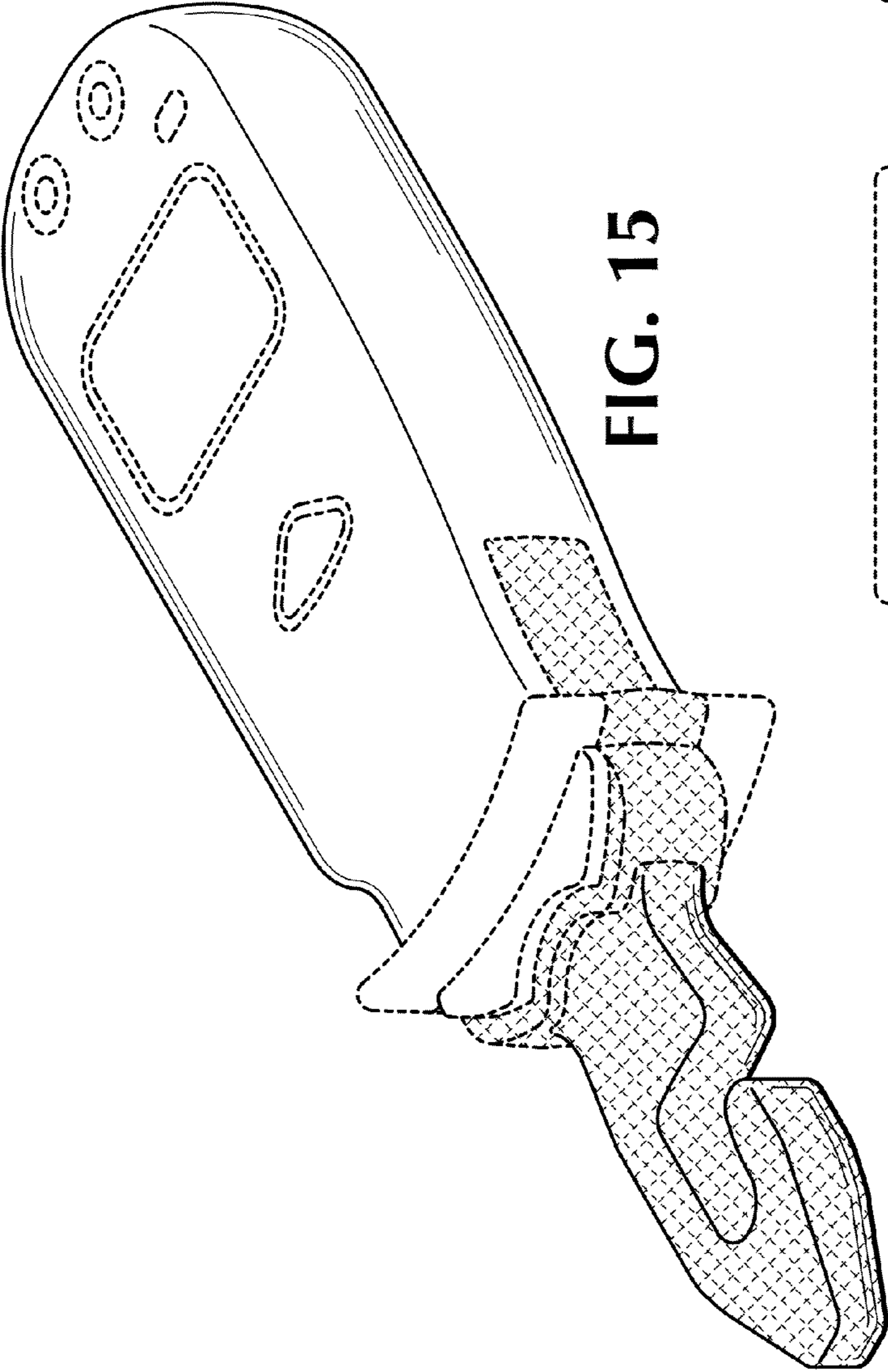


FIG. 15

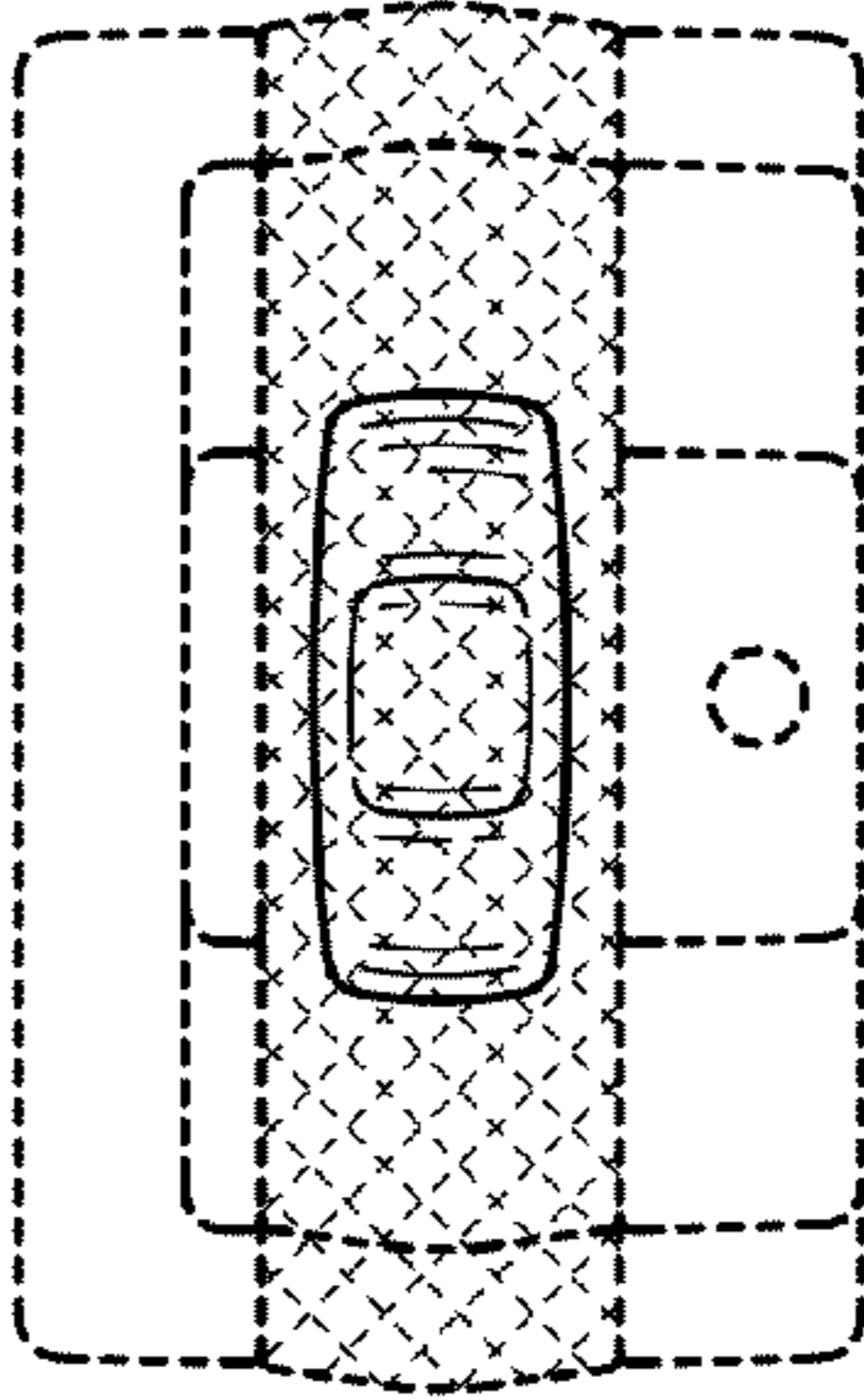


FIG. 16

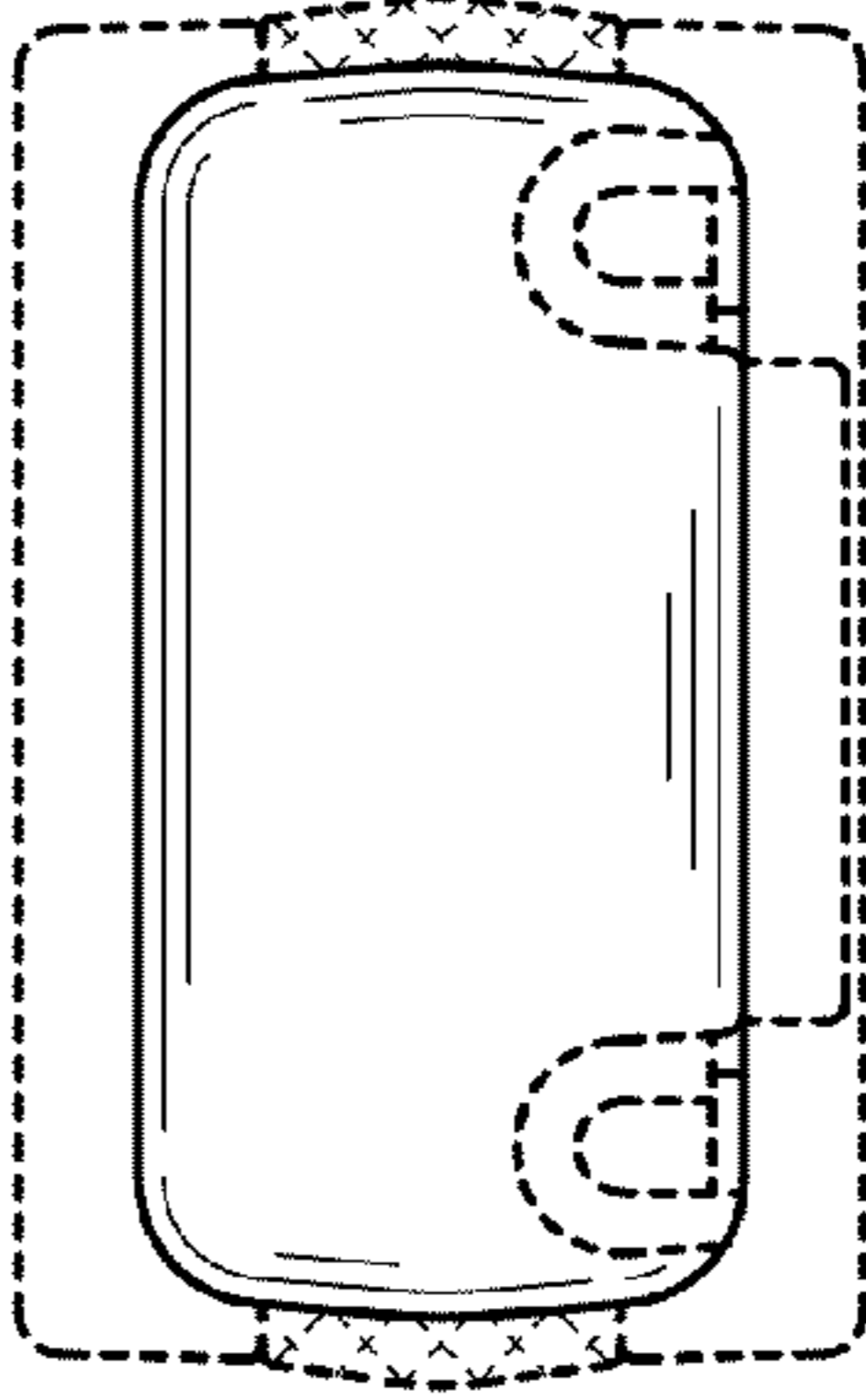


FIG. 17

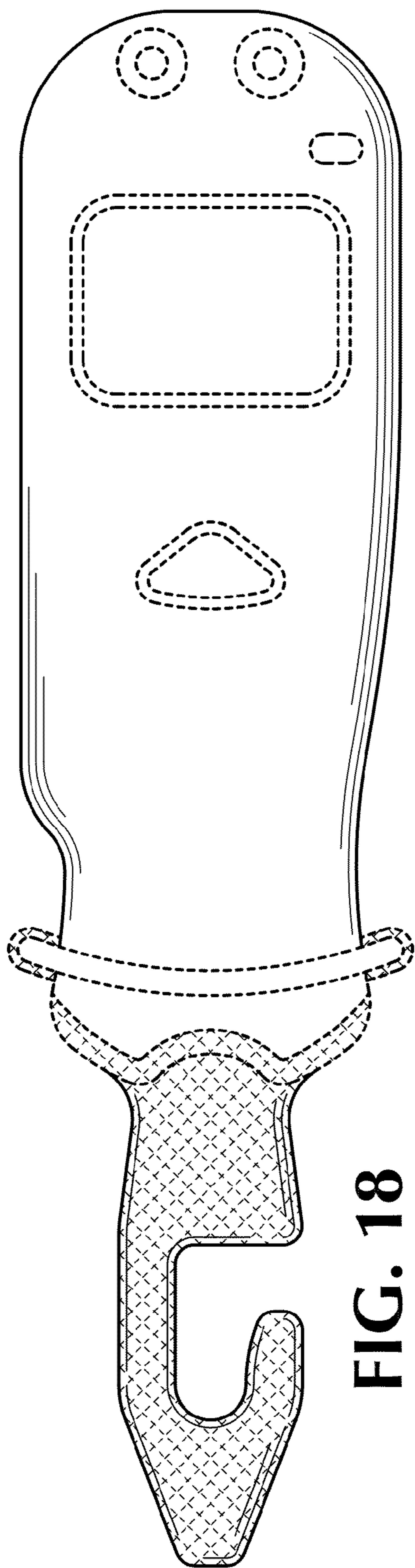


FIG. 18

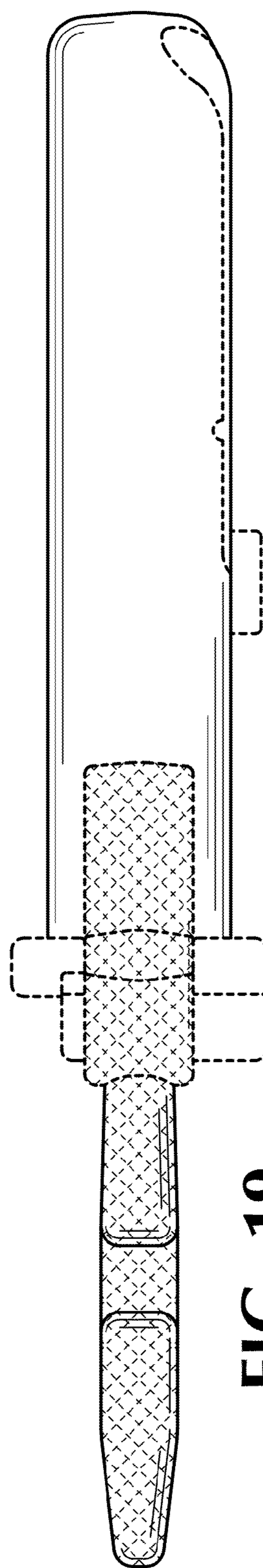


FIG. 19

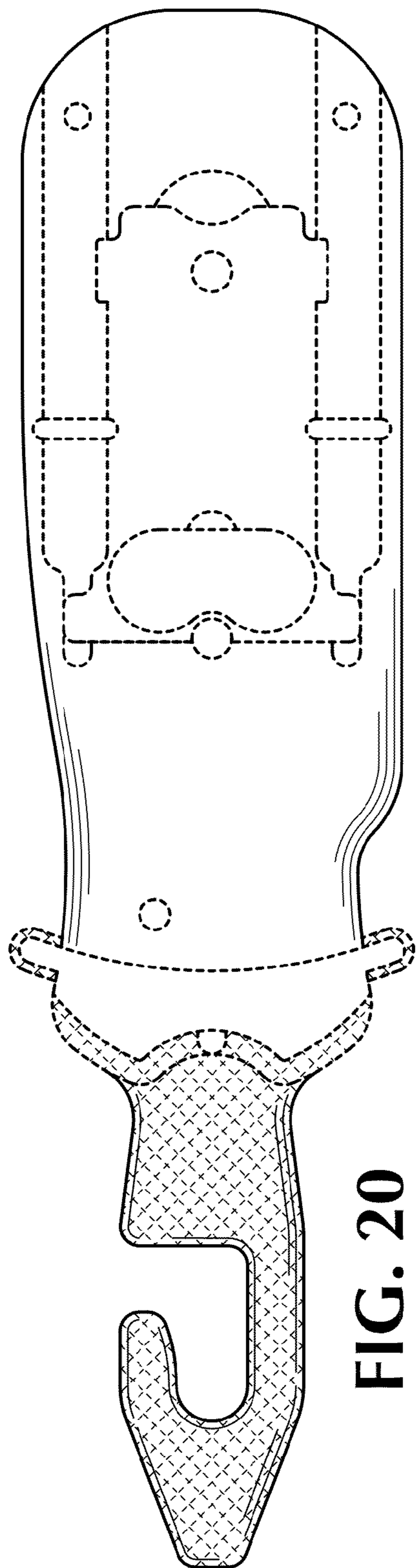


FIG. 20

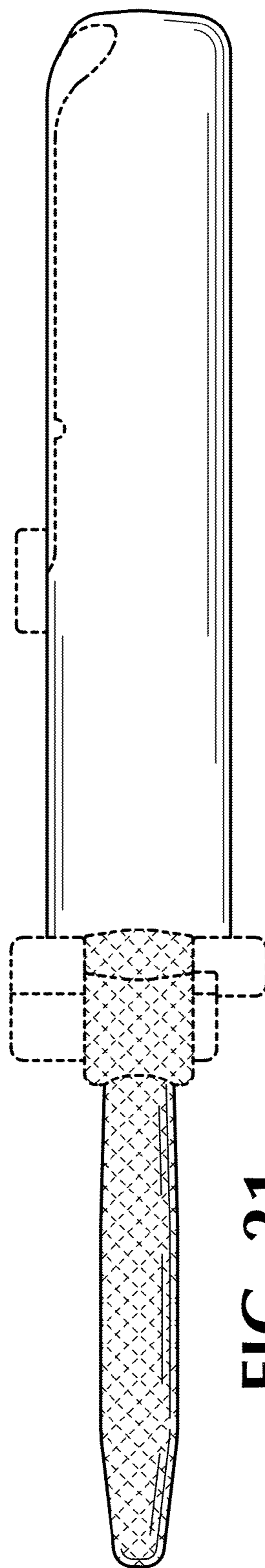


FIG. 21