



US00D697442S

(12) **United States Design Patent**  
**Walters**

(10) **Patent No.:** **US D697,442 S**  
(45) **Date of Patent:** **\*\* Jan. 14, 2014**

(54) **COMPACT AIRCRAFT SYSTEM TESTER**

(71) Applicant: **Mark D Walters**, Colleyville, TX (US)

(72) Inventor: **Mark D Walters**, Colleyville, TX (US)

(73) Assignee: **WilliamsRDM, Inc.**, Fort Worth, TX (US)

(\*\*) Term: **14 Years**

(21) Appl. No.: **29/433,524**

(22) Filed: **Oct. 1, 2012**

(51) **LOC (10) Cl.** ..... **10-04**

(52) **U.S. Cl.**  
USPC ..... **D10/75; D10/78**

(58) **Field of Classification Search**  
USPC ..... D10/75-78; 73/40.5 R, 1.67; 89/1.56, 89/1.59, 1.819; 324/429, 426, 433, 536, 324/503, 520, 540, 539, 73.1; 340/650, 340/945; 361/45; 701/29.6, 34.3, 34.4  
See application file for complete search history.

(56) **References Cited**

**U.S. PATENT DOCUMENTS**

- 4,207,610 A \* 6/1980 Gordon ..... 701/33.9
- D256,566 S \* 8/1980 Zephir et al. .... D10/78
- 4,251,765 A \* 2/1981 Mears ..... 324/503
- 5,279,152 A \* 1/1994 Griffin ..... 73/121
- 5,614,896 A \* 3/1997 Monk et al. .... 340/945
- 5,744,967 A \* 4/1998 Sorensen ..... 324/540
- 5,898,108 A \* 4/1999 Mieczkowski et al. .... 73/114.39

- 6,021,366 A \* 2/2000 Fieramosca et al. .... 701/29.6
- 6,072,317 A \* 6/2000 Mackenzie ..... 324/536
- D445,703 S \* 7/2001 Gaunt et al. .... D10/78
- 6,597,150 B1 \* 7/2003 Bertness et al. .... 320/104
- D499,347 S \* 12/2004 Fudali et al. .... D10/81

\* cited by examiner

*Primary Examiner* — Antoine D Davis

(74) *Attorney, Agent, or Firm* — Morani Patent Law, PC

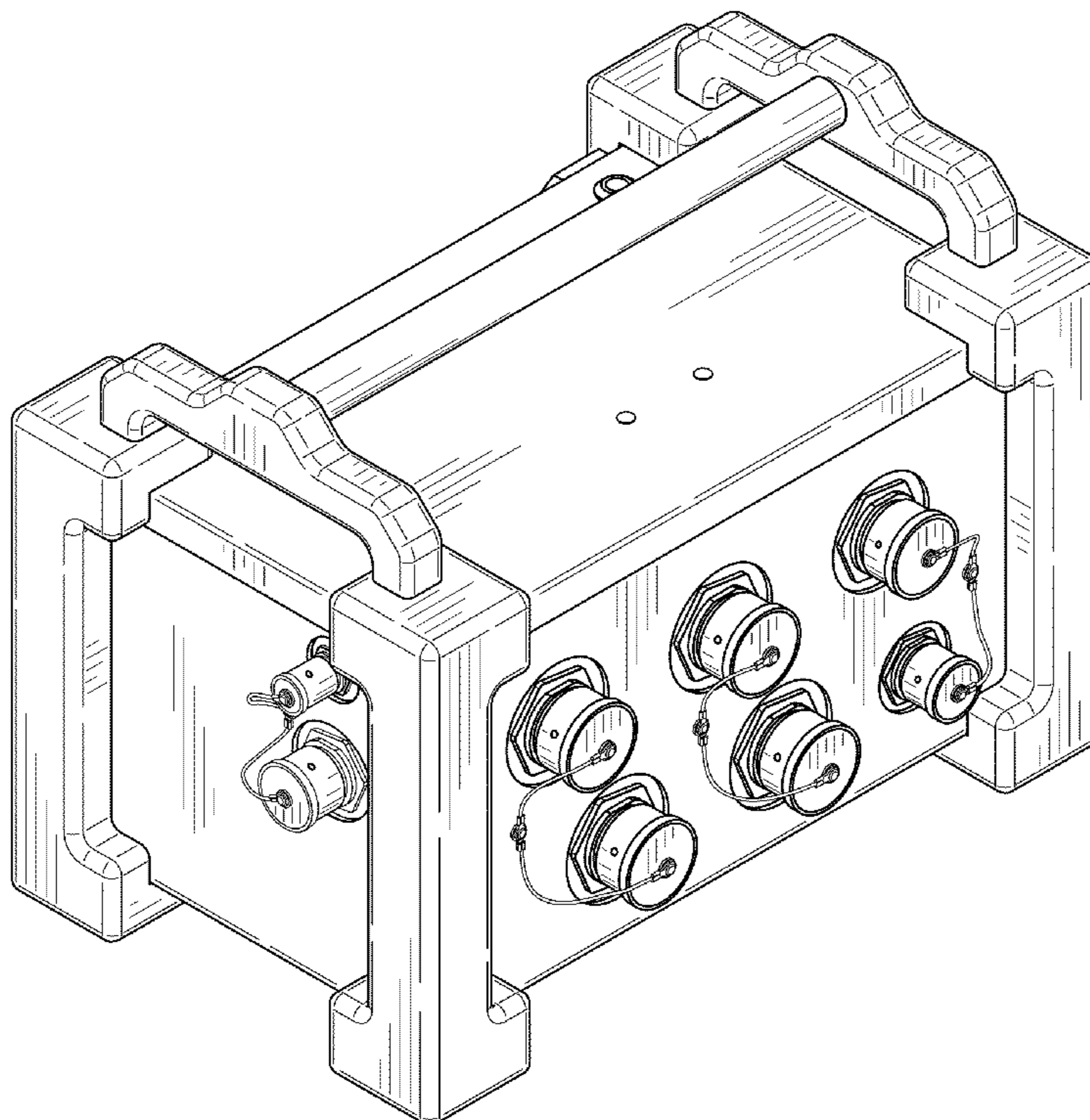
(57) **CLAIM**

The ornamental design for a compact aircraft system tester, as shown and described.

**DESCRIPTION**

FIG. 1 is a perspective view of a compact aircraft systems tester showing my new design;  
 FIG. 2 is a front elevational view thereof;  
 FIG. 3 is a rear elevational view thereof;  
 FIG. 4 is a left-side elevational view thereof;  
 FIG. 5 is a right-side elevational view thereof;  
 FIG. 6 is a top plan view thereof;  
 FIG. 7 is a bottom plan view thereof;  
 FIG. 8 is a second embodiment of a compact aircraft systems tester in a perspective view;  
 FIG. 9 is a front elevational view thereof;  
 FIG. 10 is a rear elevational view thereof;  
 FIG. 11 is a left-side elevational view thereof;  
 FIG. 12 is a right-side elevational view thereof;  
 FIG. 13 is a top plan view thereof; and,  
 FIG. 14 is a bottom plan view thereof.  
 The broken lines show no part of the second embodiment claimed design.

**1 Claim, 8 Drawing Sheets**



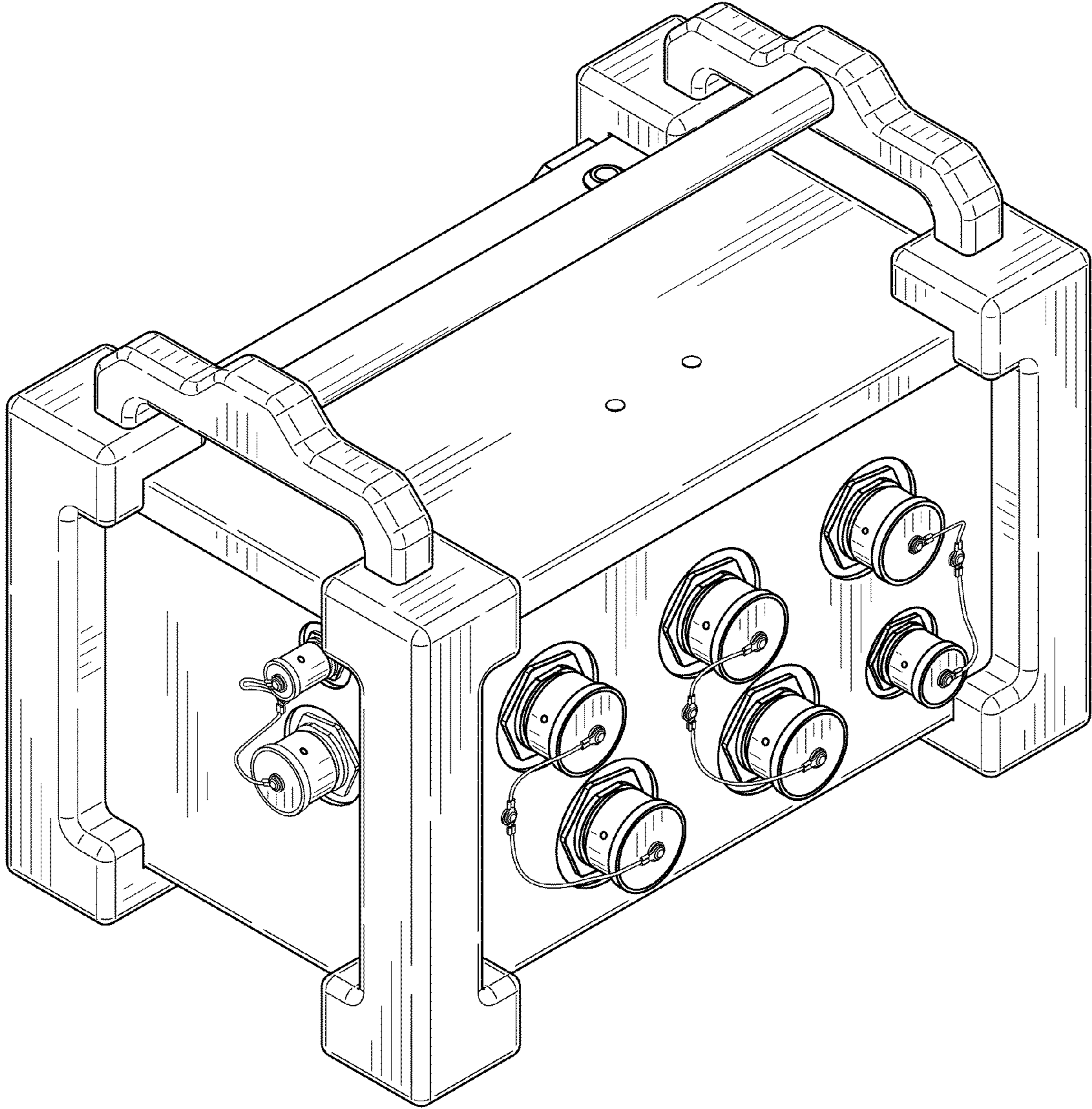


FIG. 1

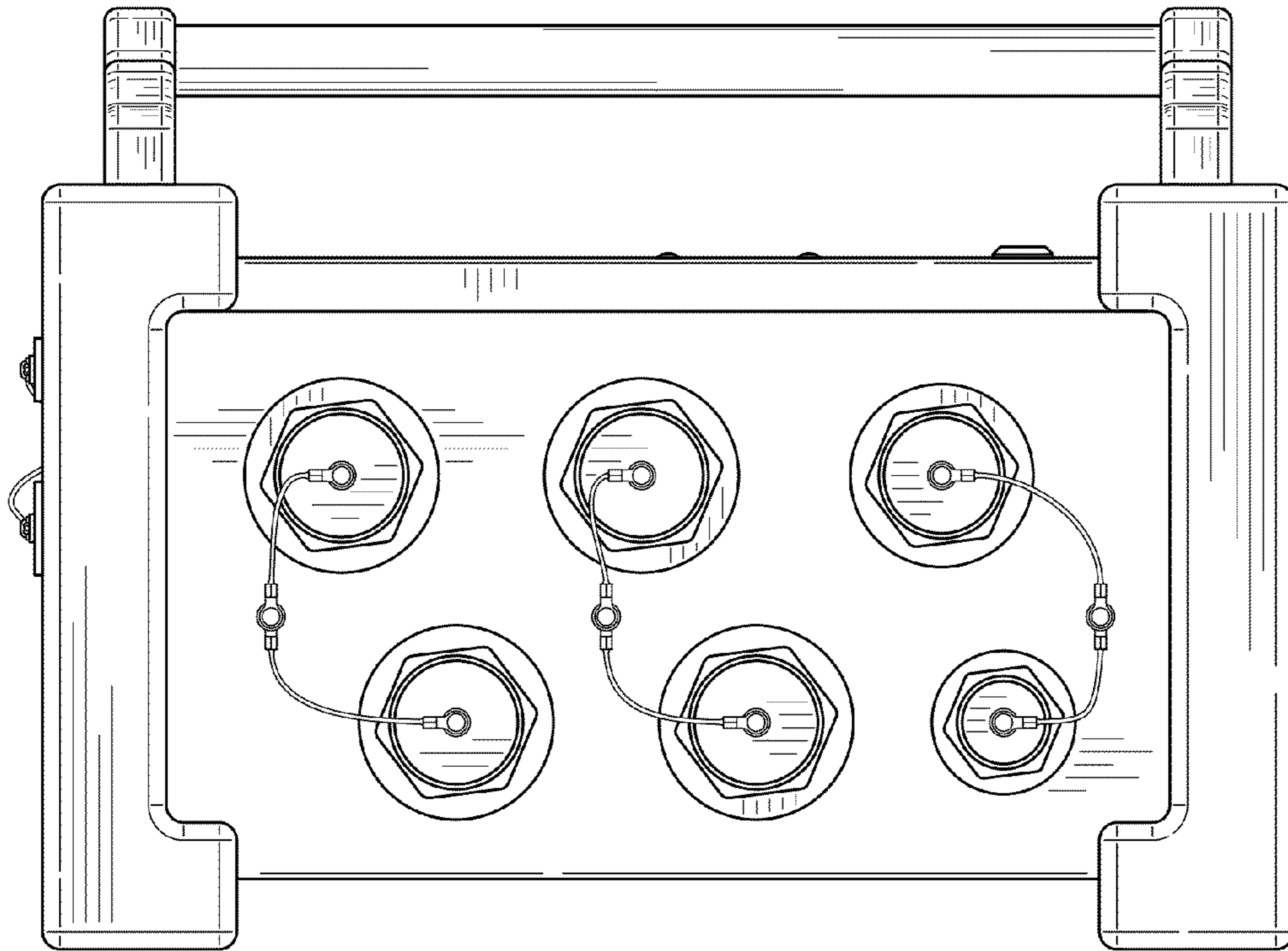


FIG. 2

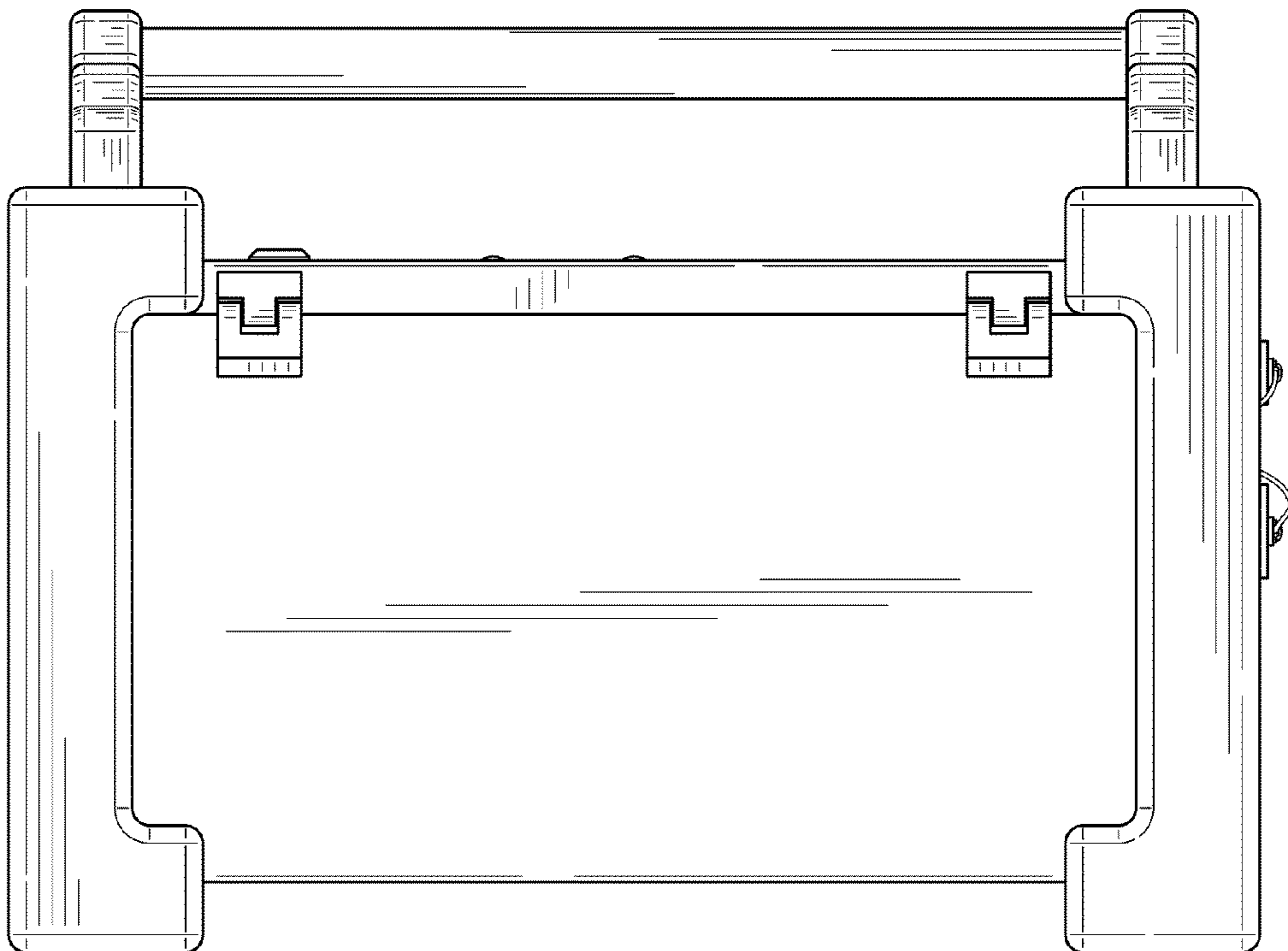


FIG. 3

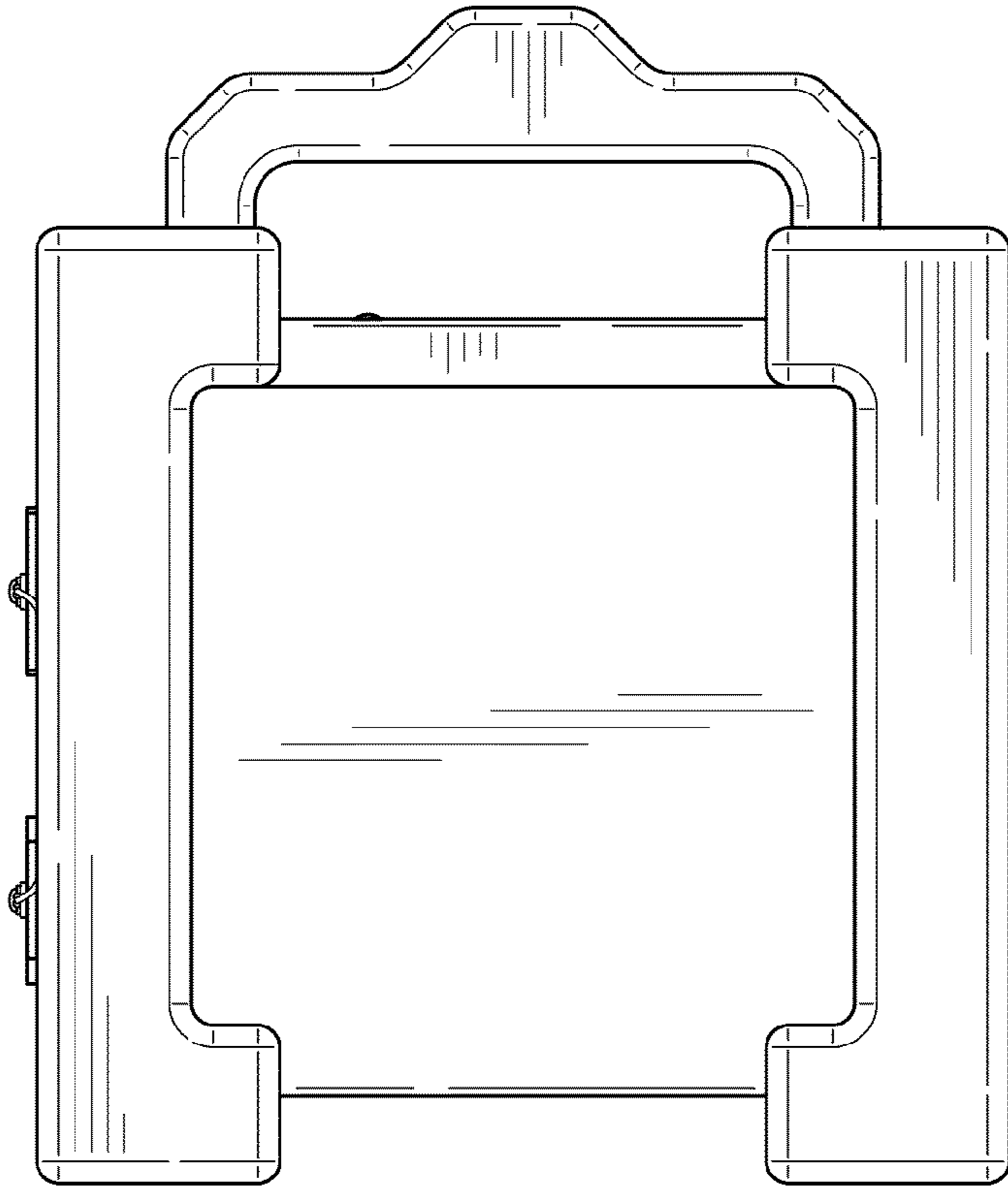


FIG. 4

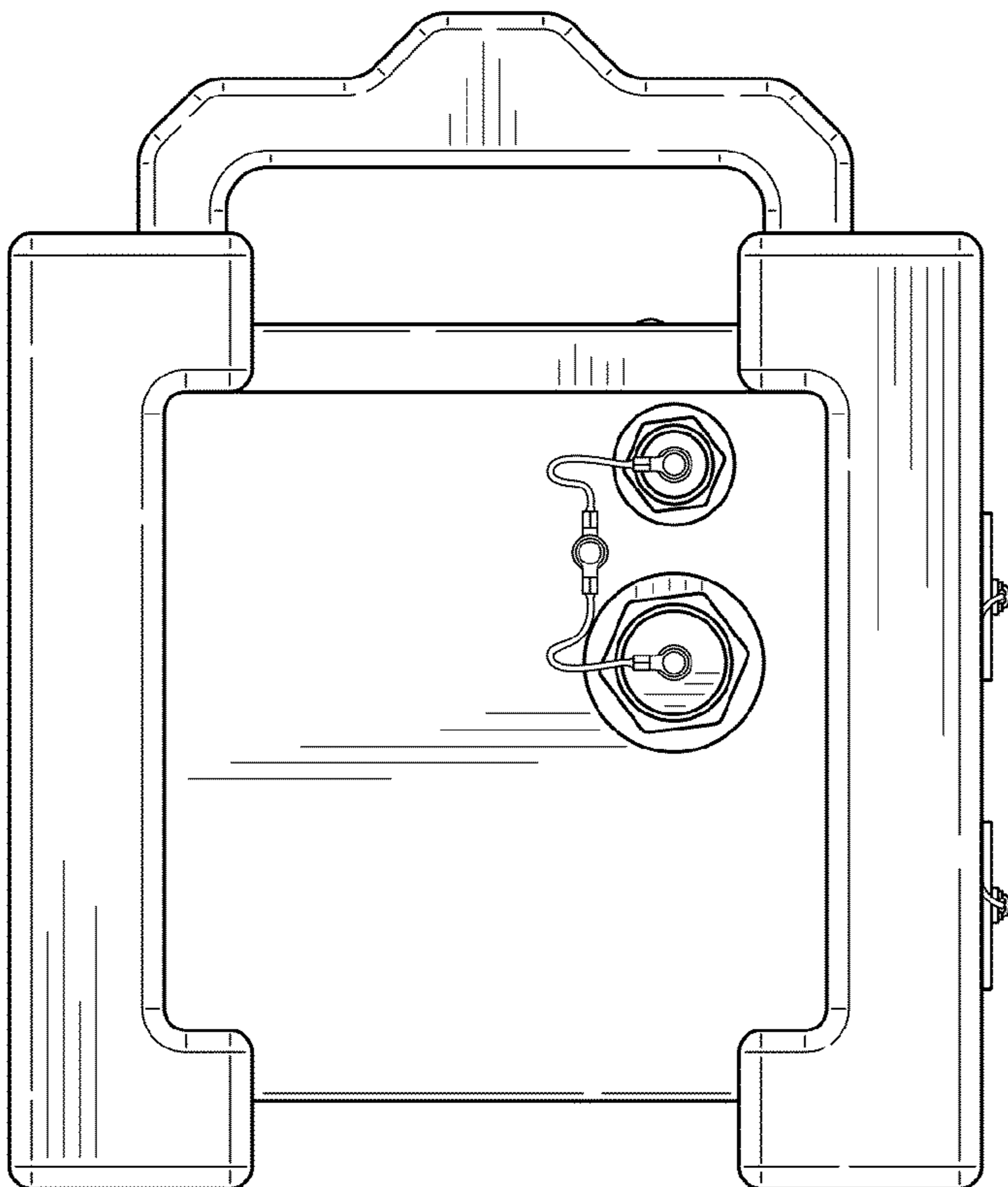


FIG. 5

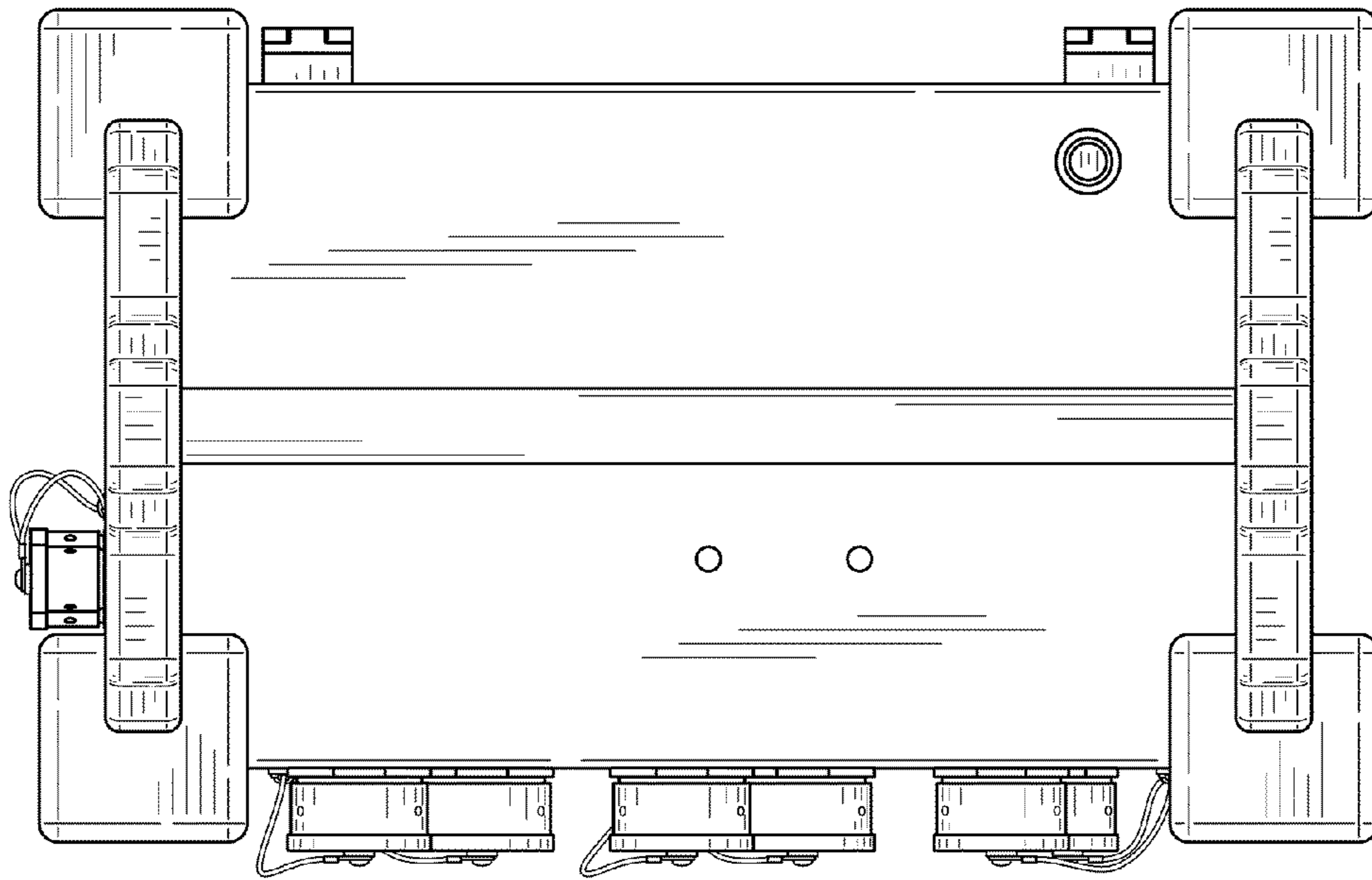


FIG. 6

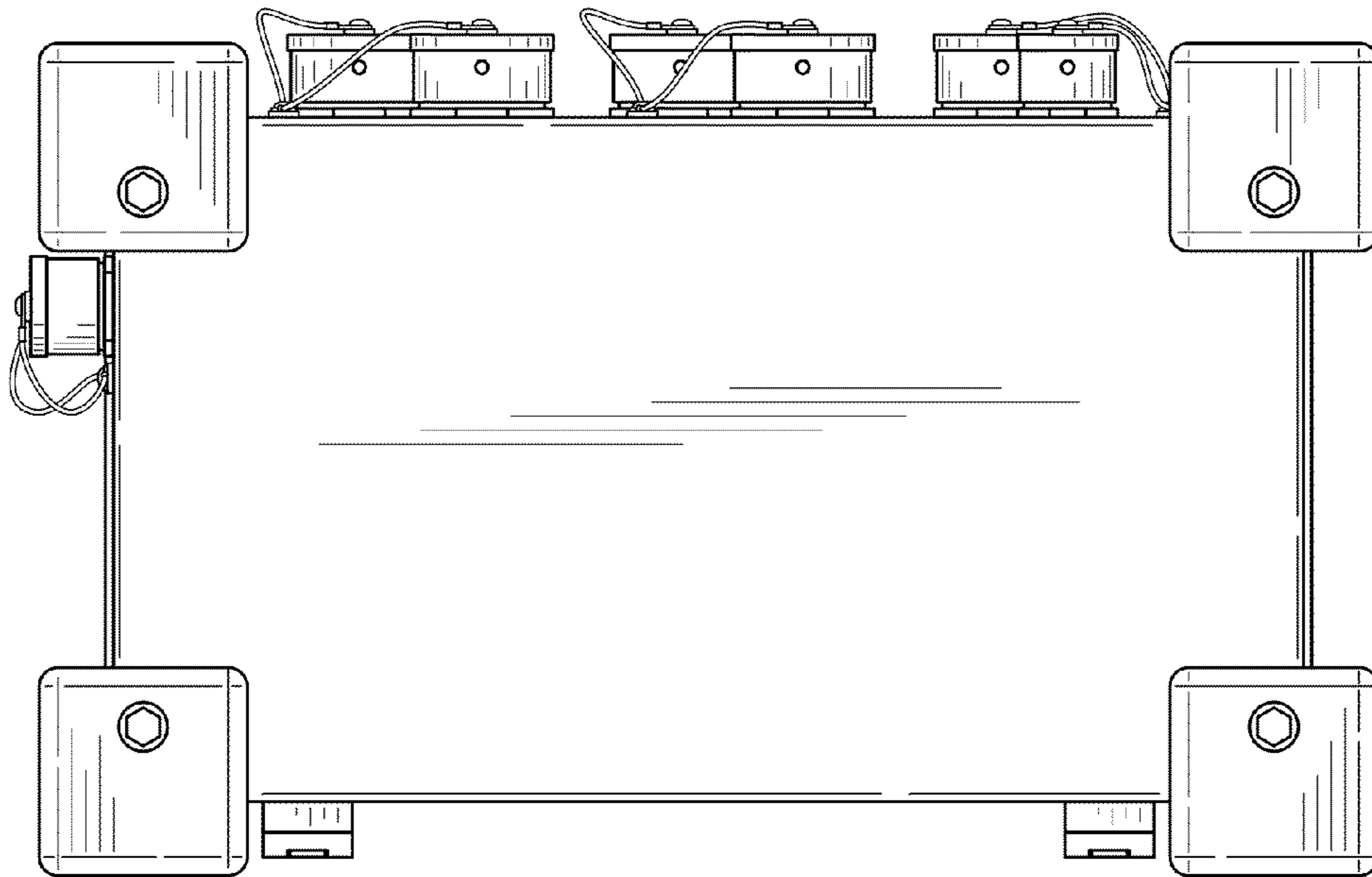


FIG. 7

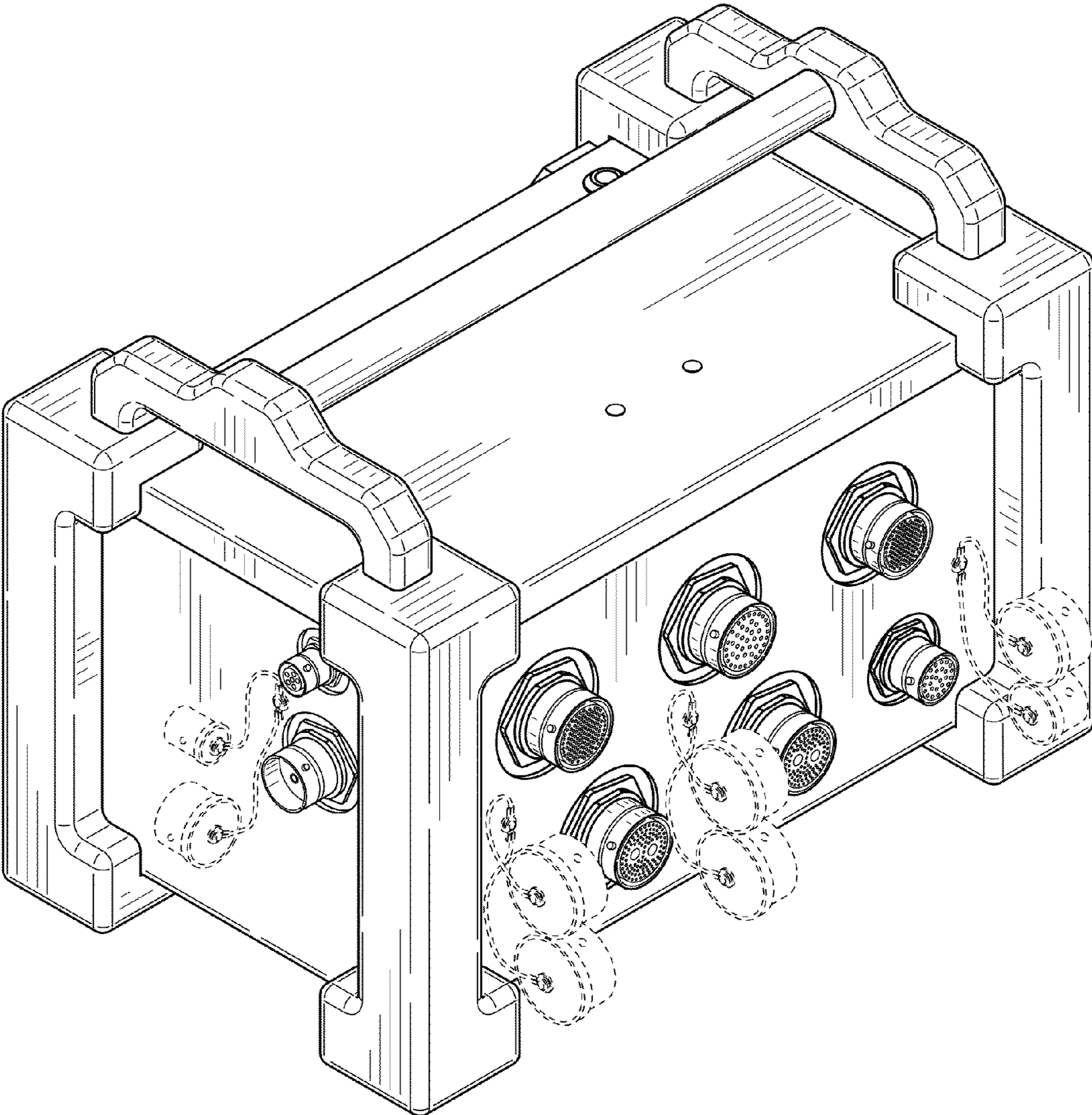


FIG. 8

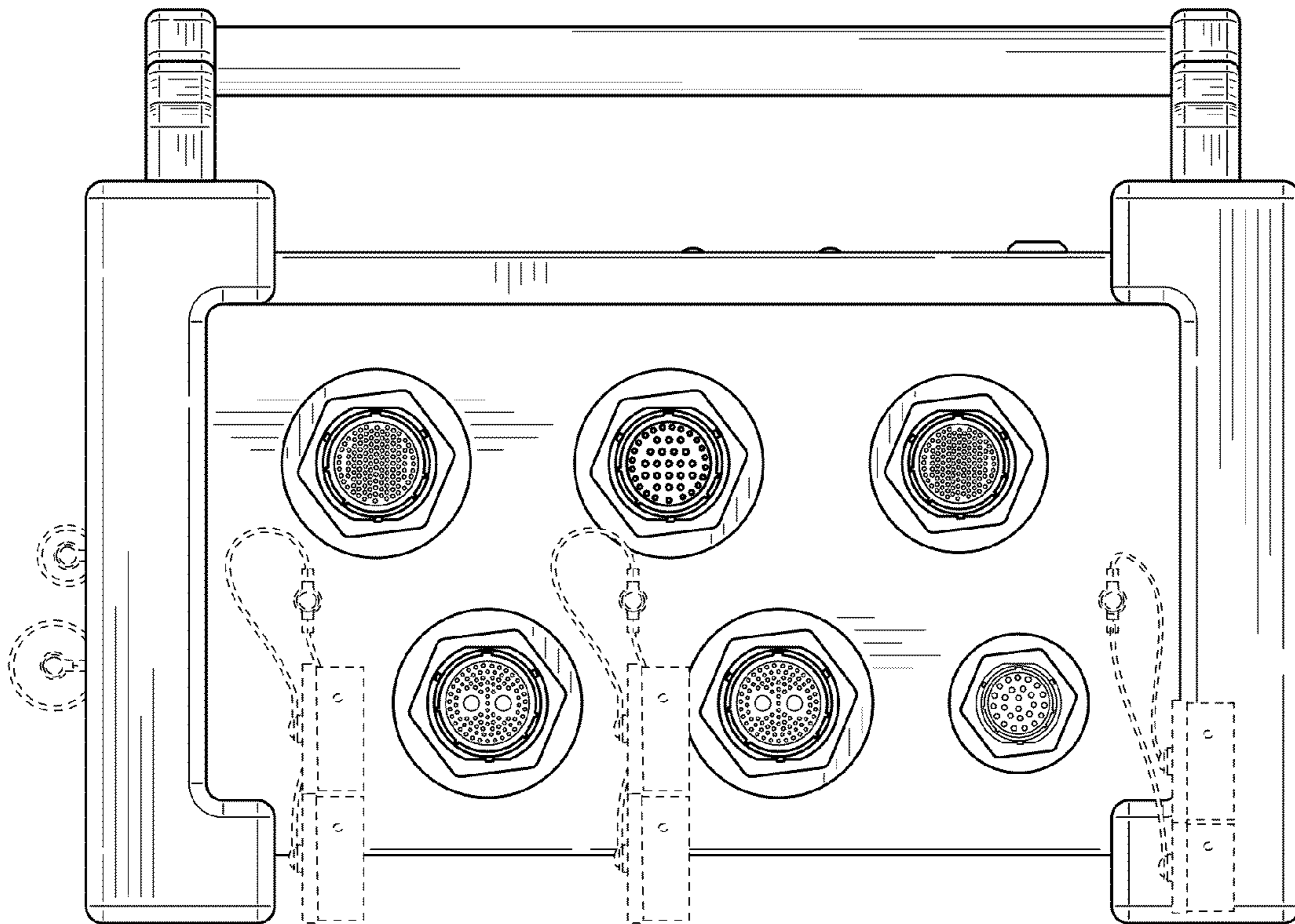


FIG. 9

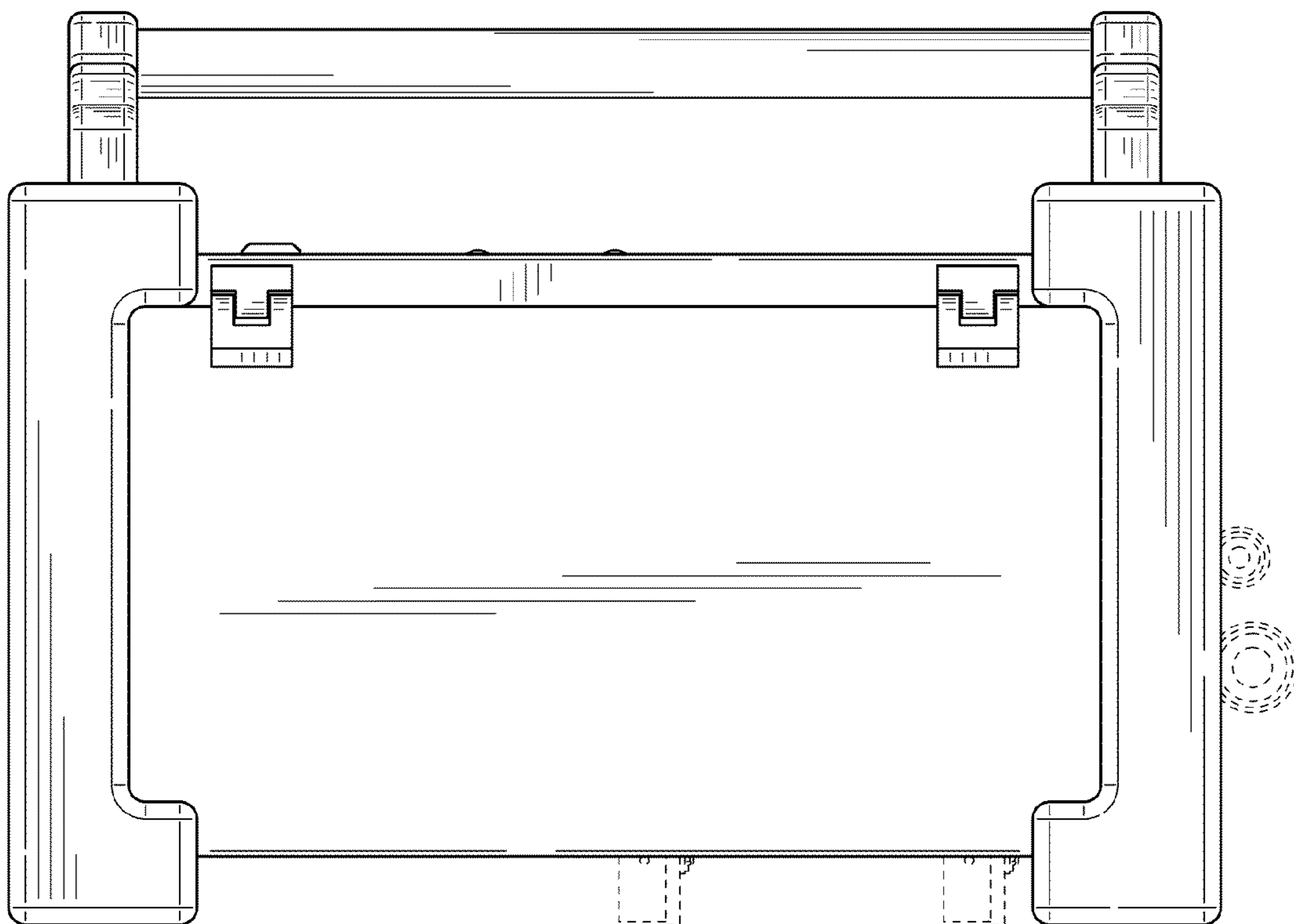


FIG. 10

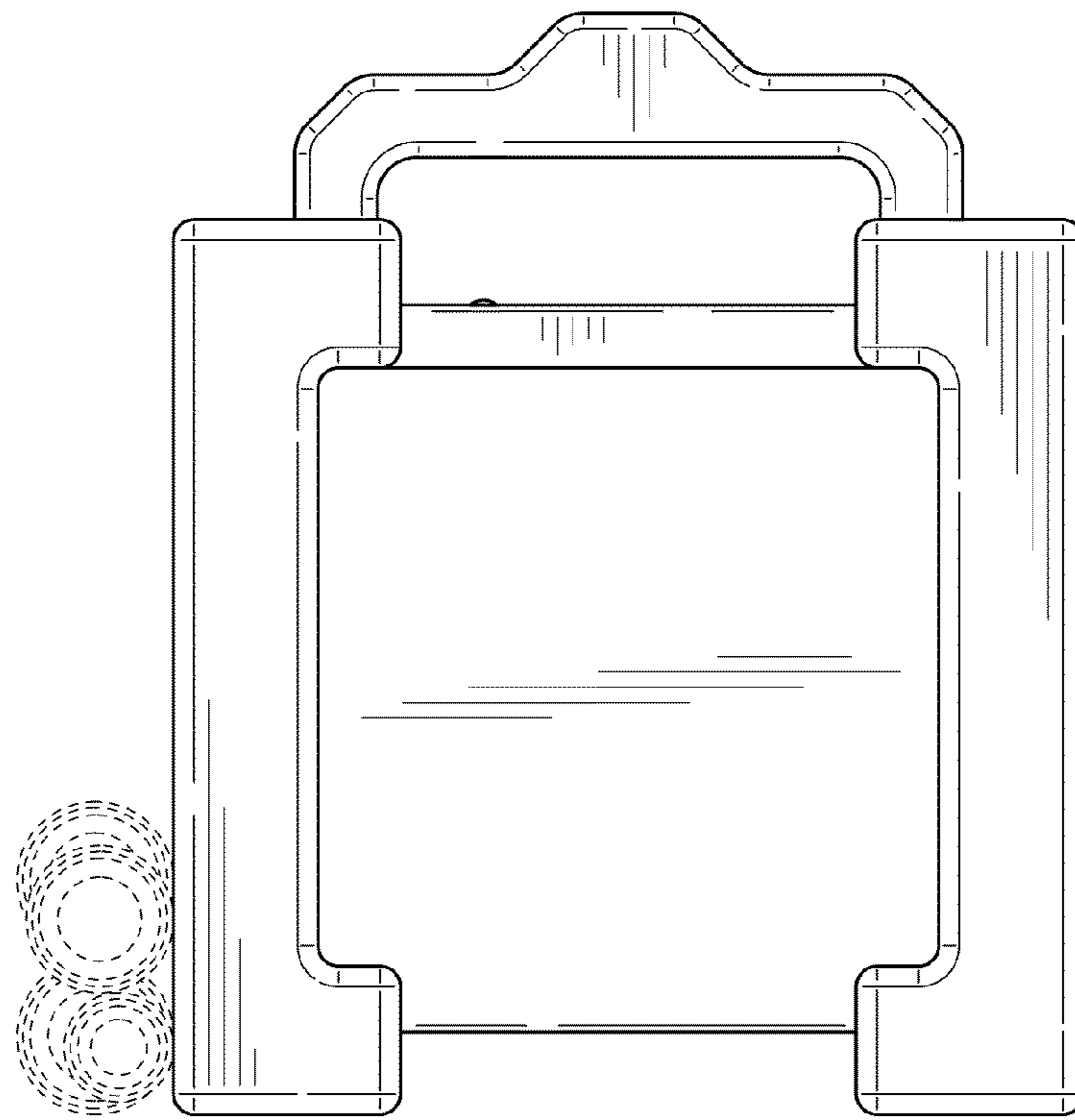


FIG. 11

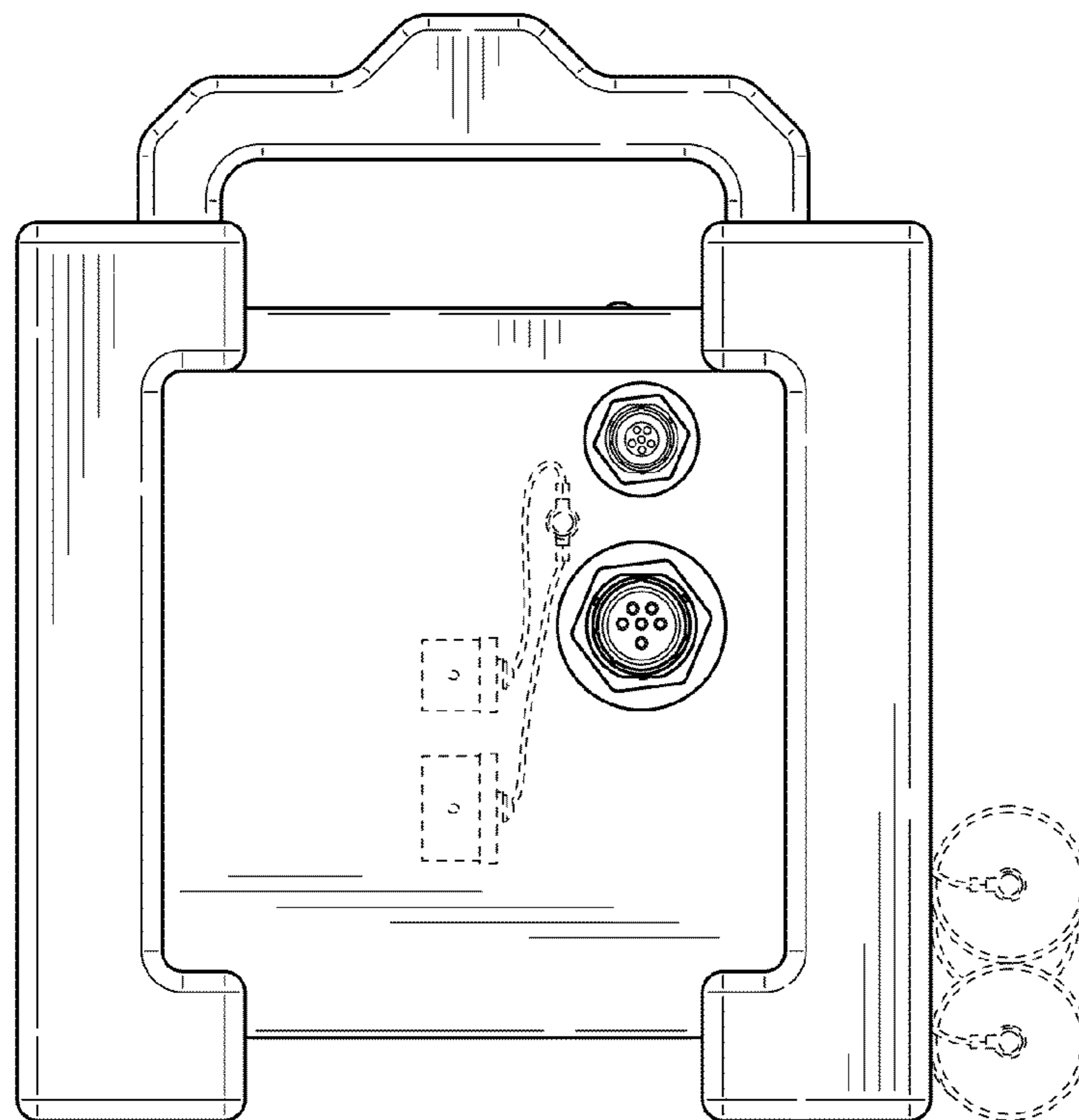


FIG. 12



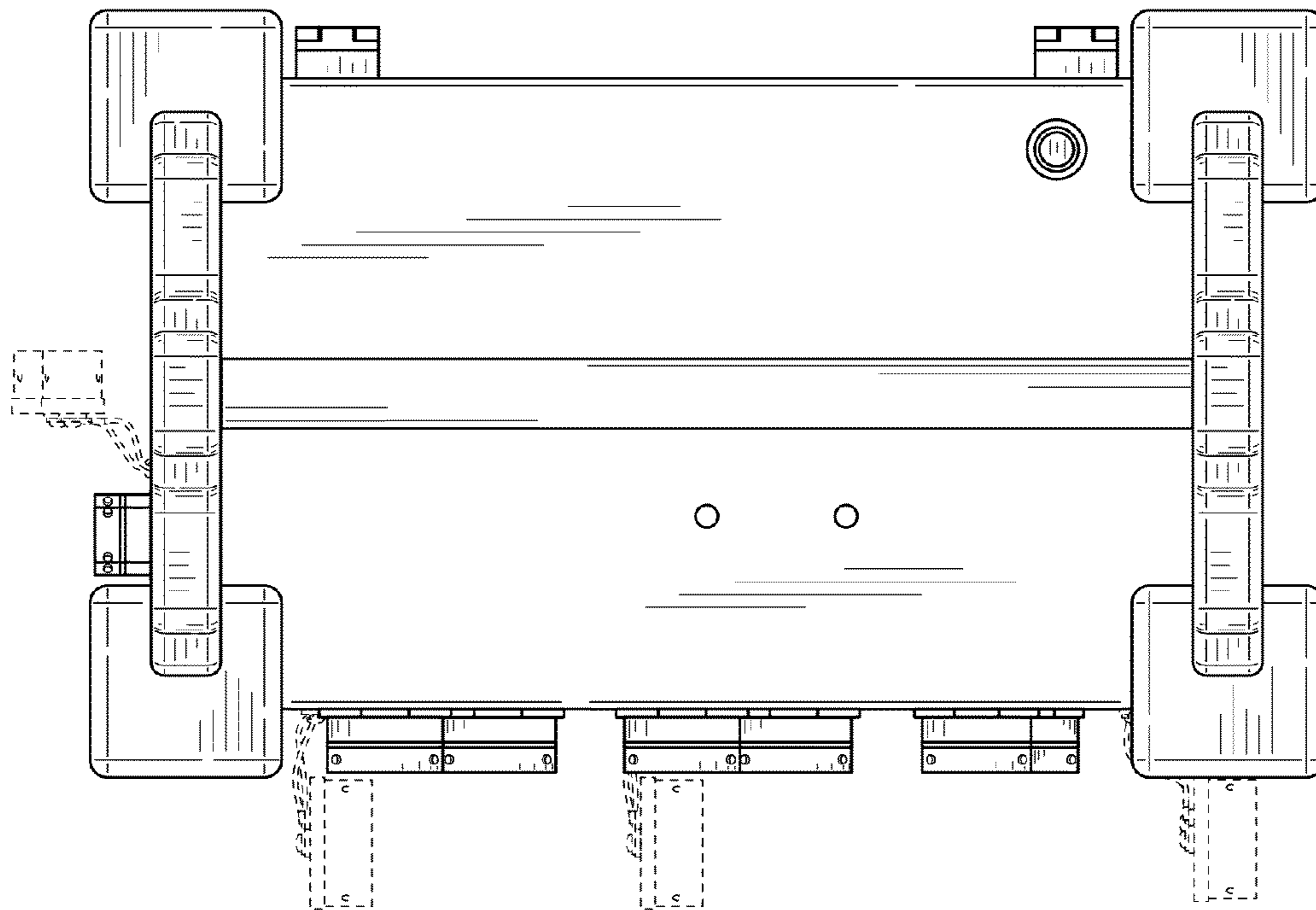


FIG. 13

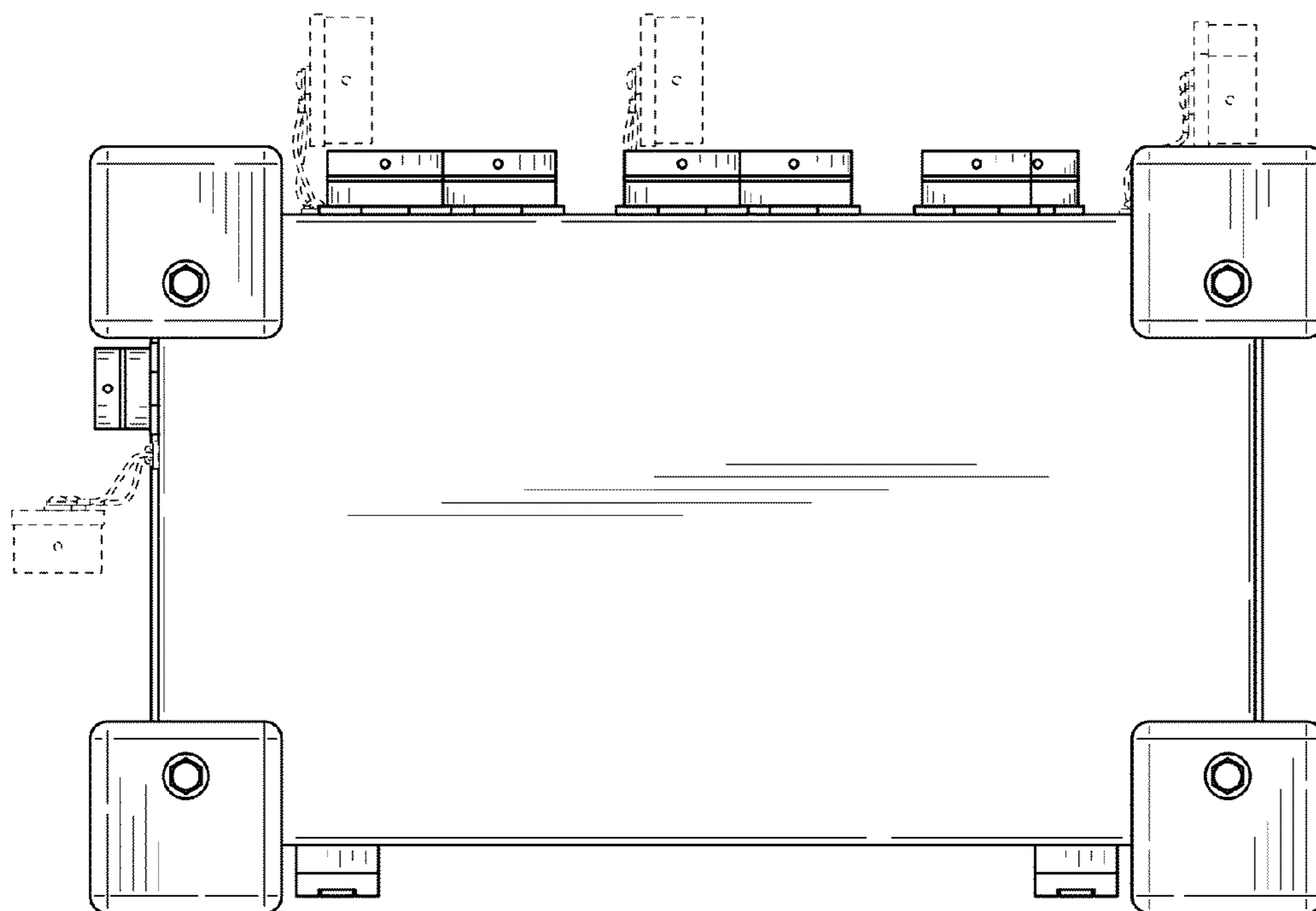


FIG. 14