



US00D697440S

(12) **United States Design Patent**
Zhang et al.

(10) **Patent No.:** **US D697,440 S**
(45) **Date of Patent:** **** Jan. 14, 2014**

- (54) **DIGITAL CALIPER**
- (71) Applicants: **Yanchen Zhang**, San Clemente, CA
(US); **Meng Zhang**, San Clemente, CA
(US)
- (72) Inventors: **Yanchen Zhang**, San Clemente, CA
(US); **Meng Zhang**, San Clemente, CA
(US)
- (**) Term: **14 Years**
- (21) Appl. No.: **29/447,156**
- (22) Filed: **Mar. 1, 2013**
- (51) **LOC (10) Cl.** **10-04**
- (52) **U.S. Cl.**
USPC **D10/73**
- (58) **Field of Classification Search**
USPC D10/73; 33/783–832, DIG. 12
See application file for complete search history.

D334,719	S	*	4/1993	Yeo	D10/73
6,279,248	B1	*	8/2001	Walters	33/784
7,045,088	B2	*	5/2006	Matsumiya et al.	33/674
D556,064	S	*	11/2007	Yang et al.	D10/73
D574,278	S	*	8/2008	Zhang	D10/73
7,533,474	B2	*	5/2009	Saito et al.	33/811
7,765,712	B2	*	8/2010	Stockman	33/784
D662,842	S	*	7/2012	Zhang	D10/73

* cited by examiner

Primary Examiner — Antoine D Davis
(74) *Attorney, Agent, or Firm* — Let Z. Kwan, Esq.

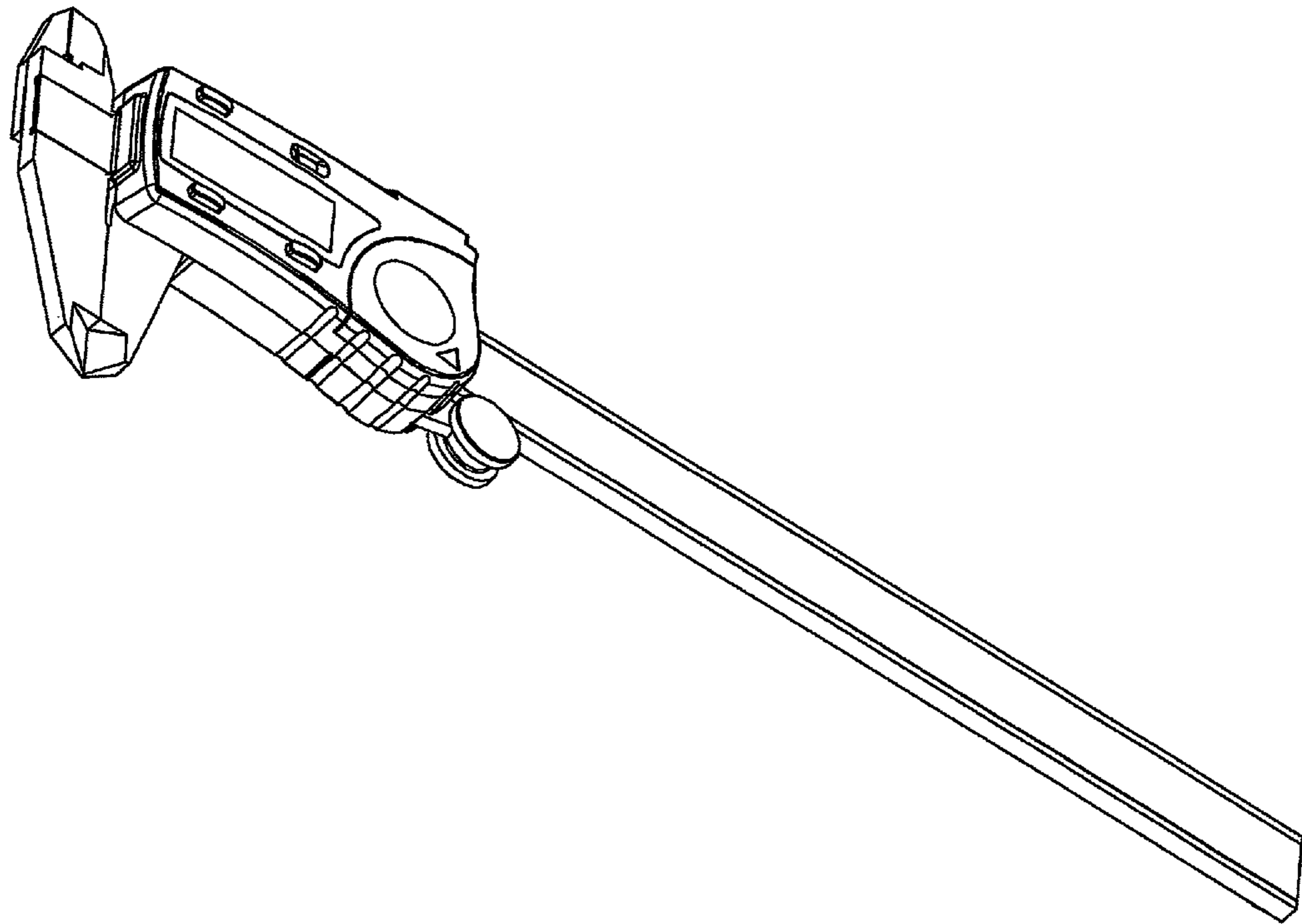
(57) **CLAIM**
The ornamental design for a digital caliper, as shown and described.

DESCRIPTION

FIG. 1 is a top, left perspective view of a digital caliper showing our new design;
FIG. 2 is a front side view thereof;
FIG. 3 is a right side view thereof;
FIG. 4 is a head on view thereof;
FIG. 5 is a back side view thereof;
FIG. 6 is a left side view thereof; and,
FIG. 7 is a rear end view thereof.

1 Claim, 3 Drawing Sheets

- (56) **References Cited**
U.S. PATENT DOCUMENTS
D280,301 S * 8/1985 Nishina et al. D10/73
4,586,260 A * 5/1986 Baxter et al. 33/706
4,963,811 A * 10/1990 Weber 320/101



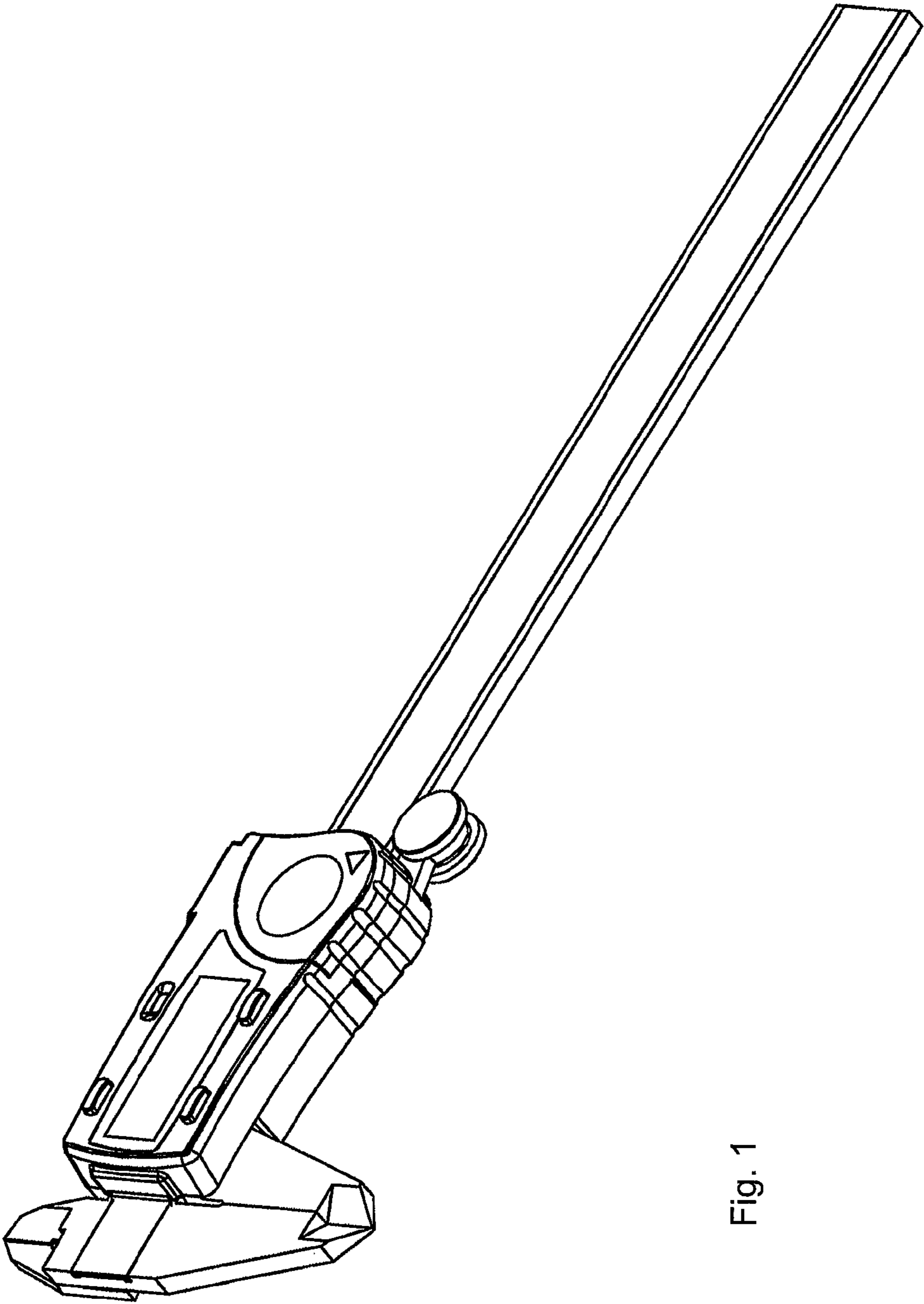


Fig. 1

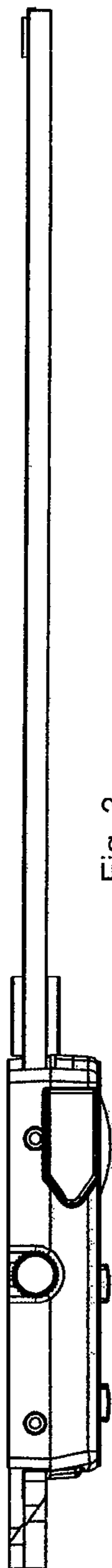


Fig. 3

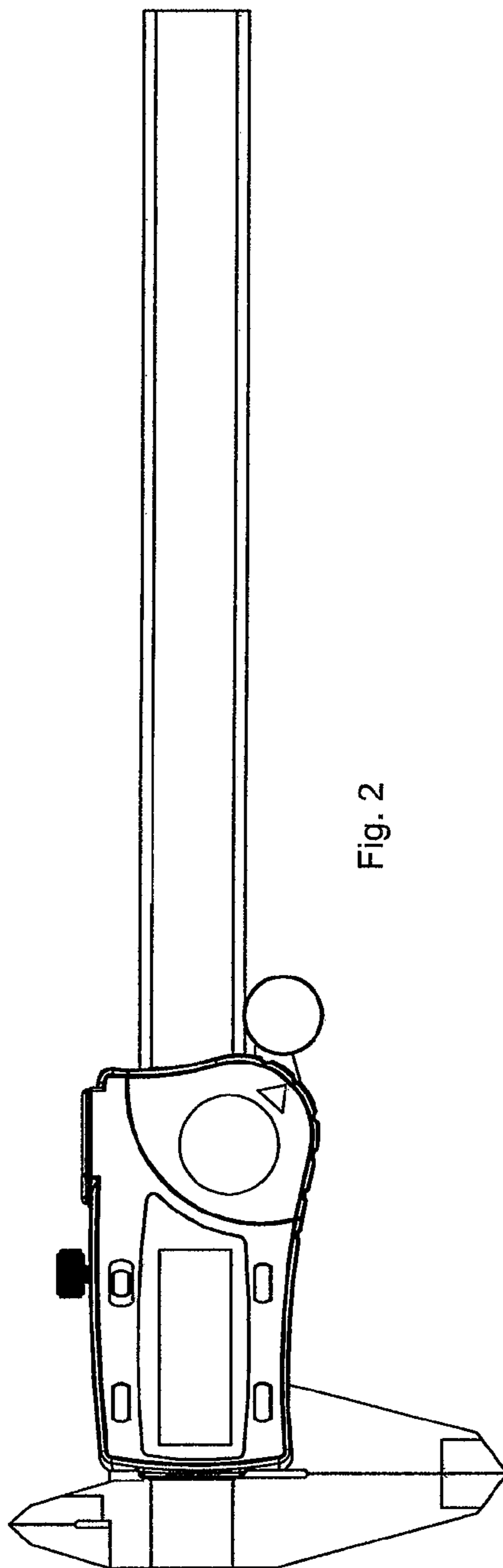


Fig. 2

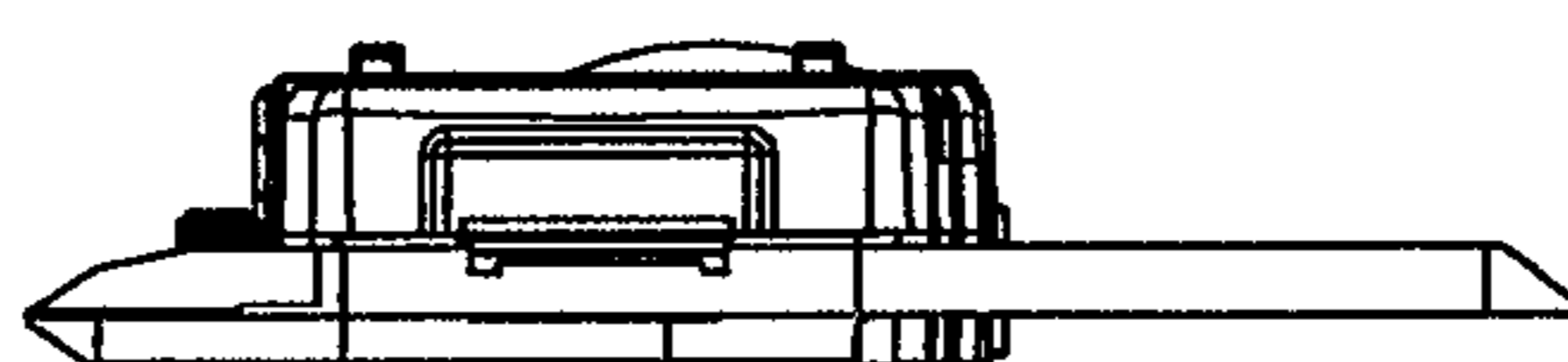


Fig. 4



Fig. 6

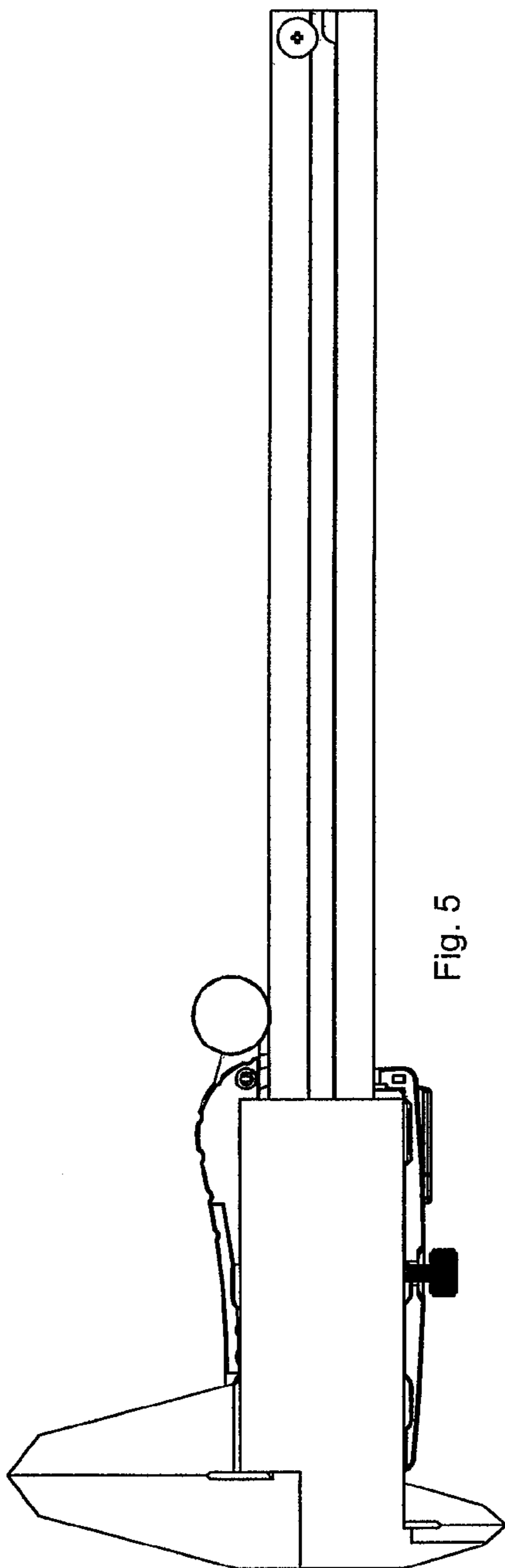


Fig. 5

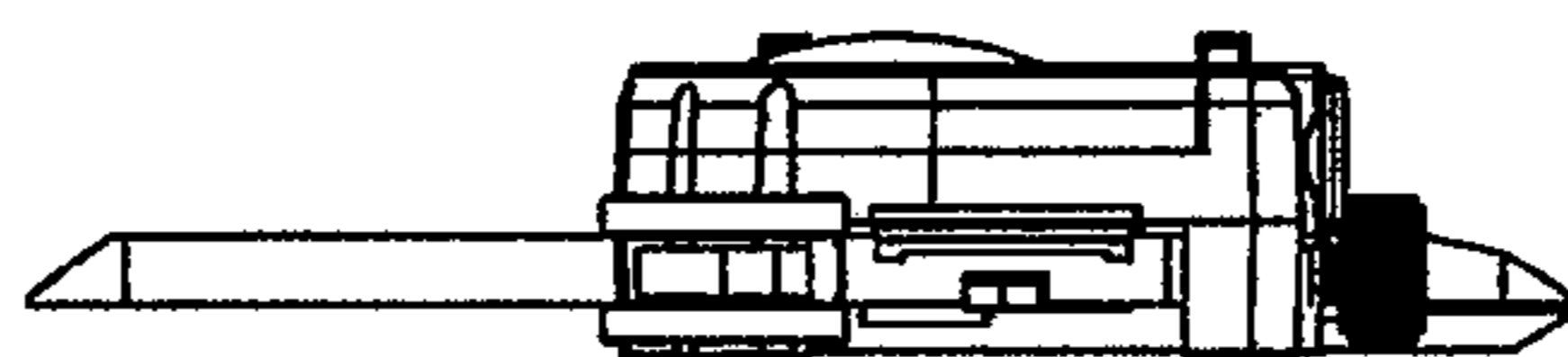


Fig. 7