



US00D697431S

(12) **United States Design Patent**
Baker et al.

(10) **Patent No.:** **US D697,431 S**
(45) **Date of Patent:** **** Jan. 14, 2014**

(54) **PACKAGING**

(76) Inventors: **Russell Christopher Baker**, Columbus, GA (US); **Adam Nicholas Carroll**, Encinitas, CA (US)

(**) Term: **14 Years**

(21) Appl. No.: **29/430,387**

(22) Filed: **Aug. 24, 2012**

(51) **LOC (10) Cl.** **09-01**

(52) **U.S. Cl.**
USPC **D9/745; D9/524**

(58) **Field of Classification Search**
USPC D9/746, 682, 684, 687-691, 694, D9/737-738, 741, 745, 747, 756, 500, D9/503-504, 516, 524, 526, 549, 558, 414, D9/421, 434-435, 454; D24/224; 215/379, 215/381-382; 220/660, 669; 206/503
See application file for complete search history.

(56) **References Cited**

U.S. PATENT DOCUMENTS

D112,950 S * 1/1939 Rubin D9/504
D165,822 S * 2/1952 Brown D9/688
2,771,184 A * 11/1956 Ryno et al. D9/503

3,369,691 A * 2/1968 Tohchung Wei 206/503
3,485,416 A * 12/1969 Fohrman D9/503
4,444,324 A * 4/1984 Grenell 215/6
D328,248 S * 7/1992 Ruff D9/503
D433,631 S * 11/2000 Walsh D9/516
D444,702 S * 7/2001 Castleberry, II D9/746
D640,569 S * 6/2011 Alongi et al. D9/745
2010/0025279 A1 * 2/2010 Baker et al. 206/503

* cited by examiner

Primary Examiner — Wan Laymon

(74) *Attorney, Agent, or Firm* — Withers & Keys, LLC

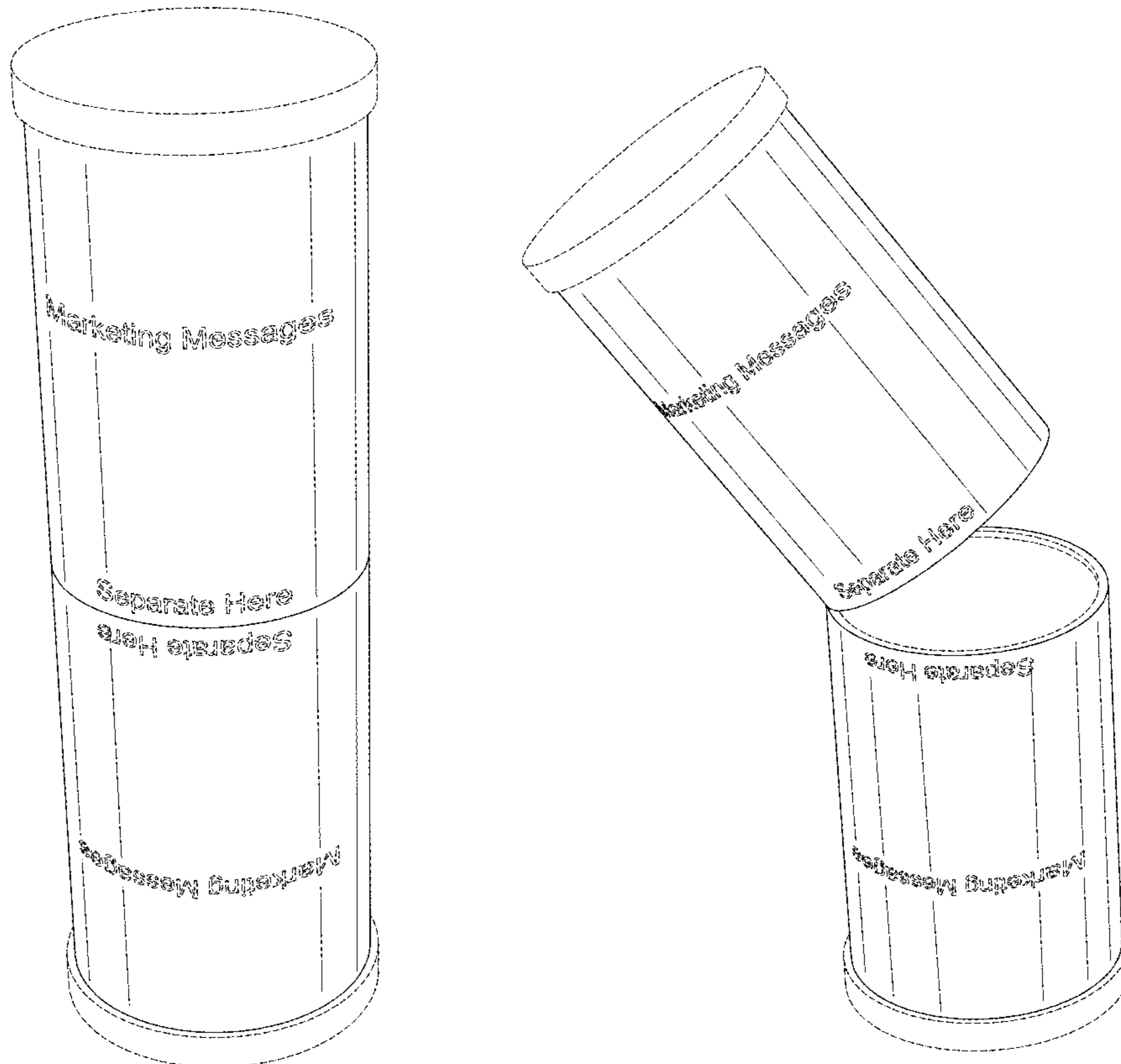
(57) **CLAIM**

The ornamental design for the packaging, as shown and described.

DESCRIPTION

FIG. 1 is a perspective view of the packaging showing our new design;
FIG. 2 is a frontal view thereof;
FIG. 3 is a left view thereof with the right view being identical;
FIG. 4 is a top view thereof with the bottom view being identical; and,
FIG. 5 is a perspective view of our packaging upon separation of upper and lower packaging components.

1 Claim, 5 Drawing Sheets



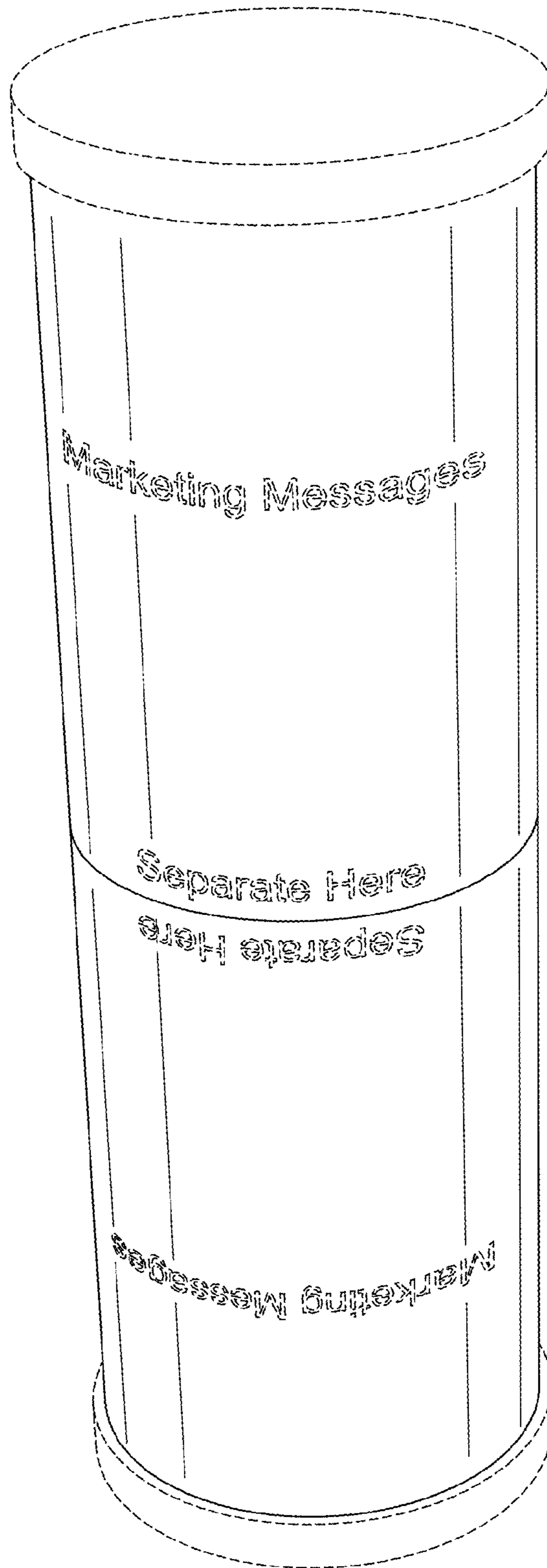


FIG. 1

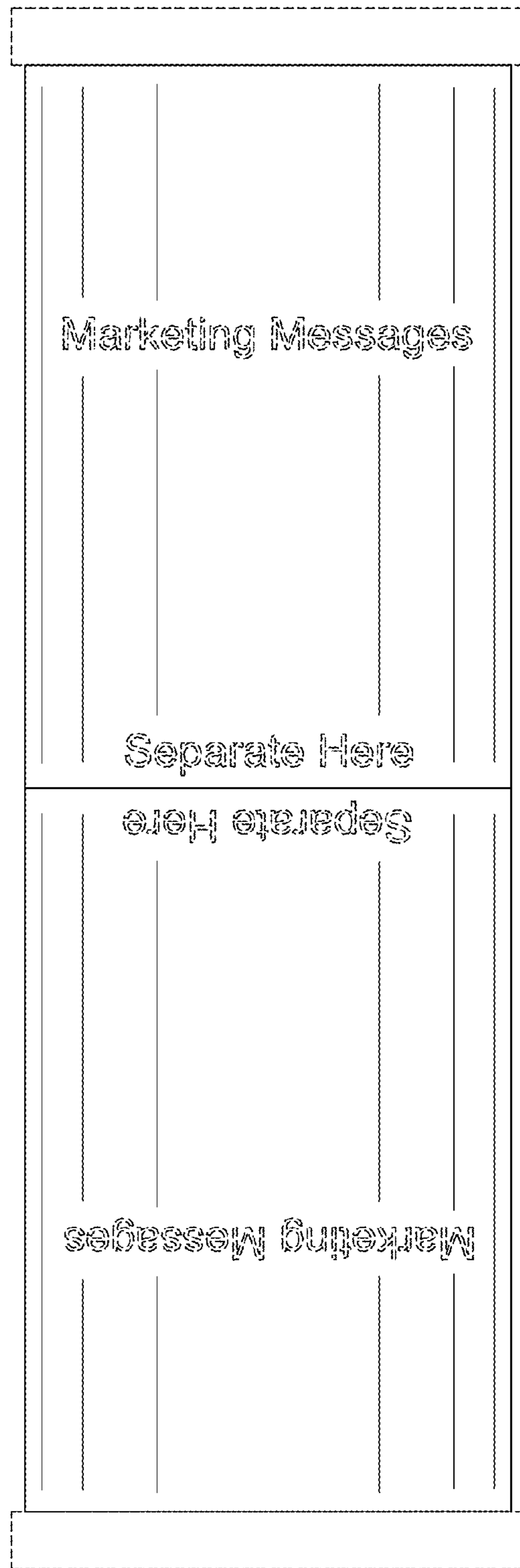


FIG. 2

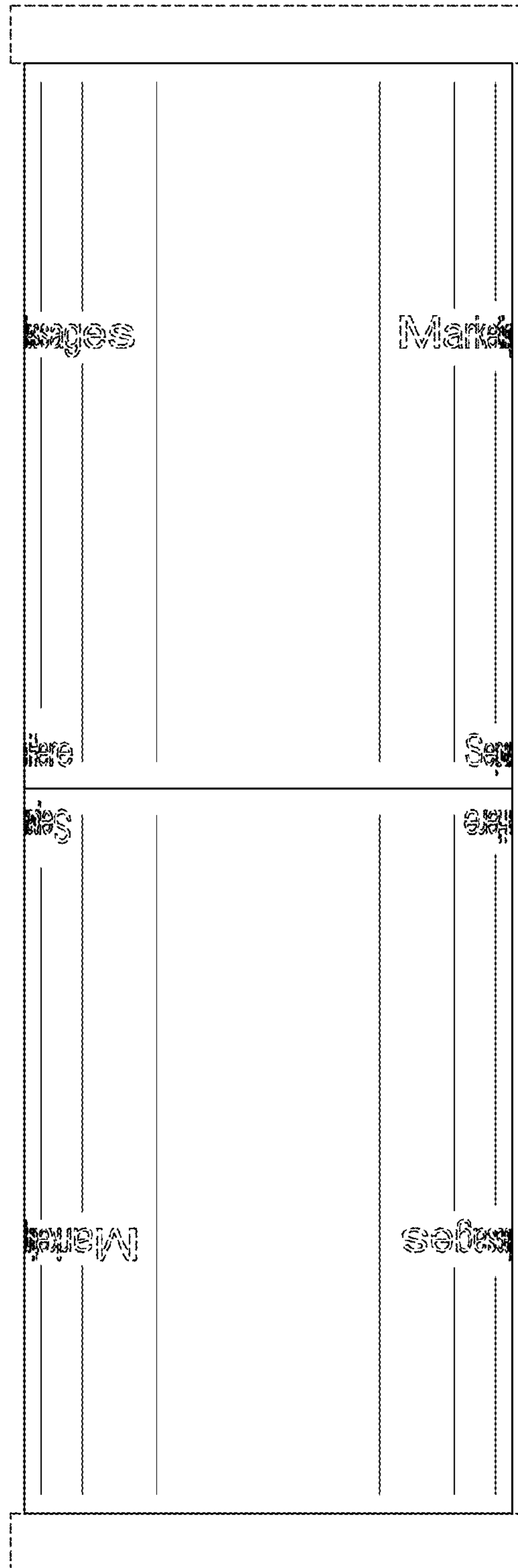


FIG. 3

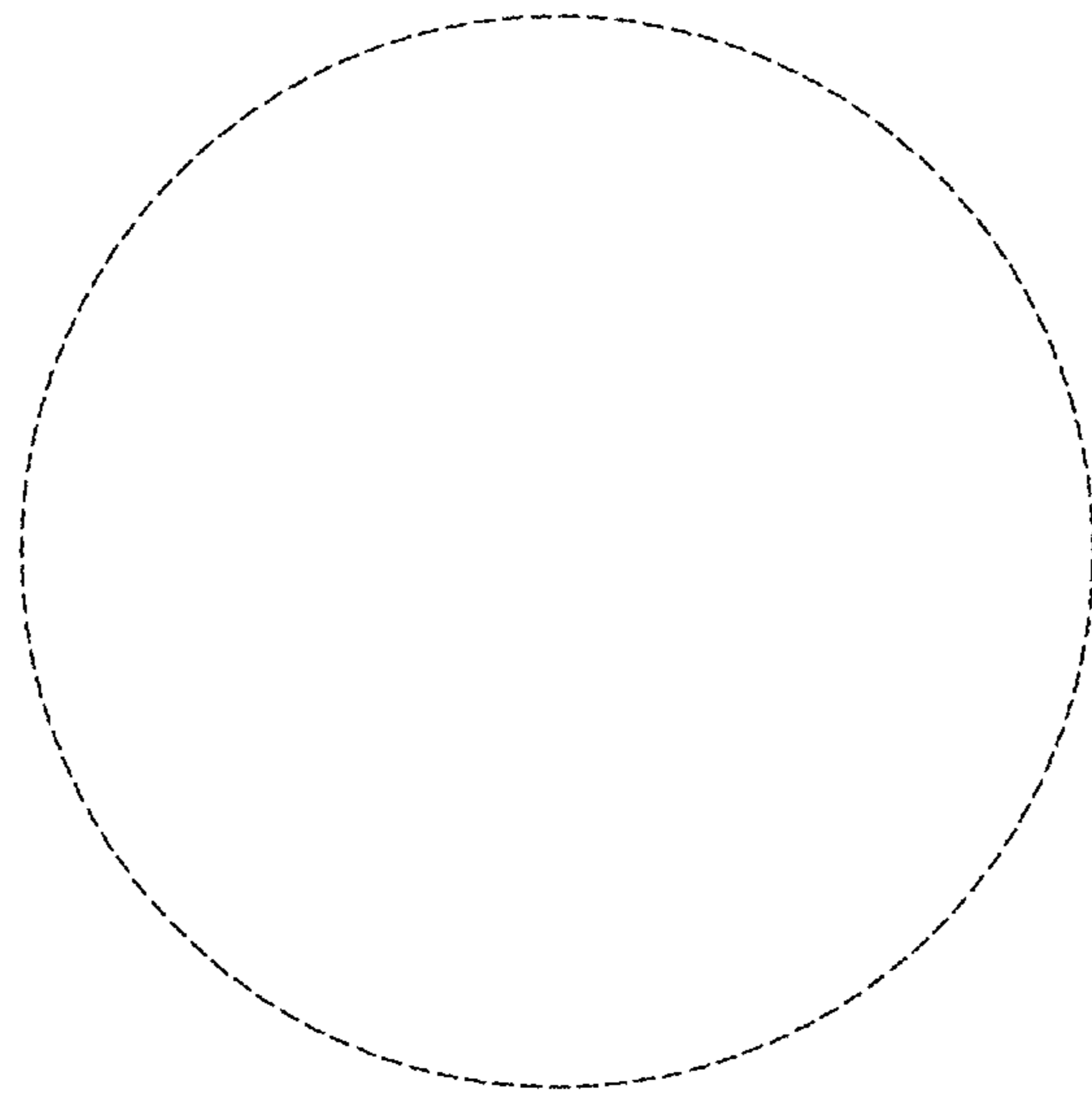


FIG. 4

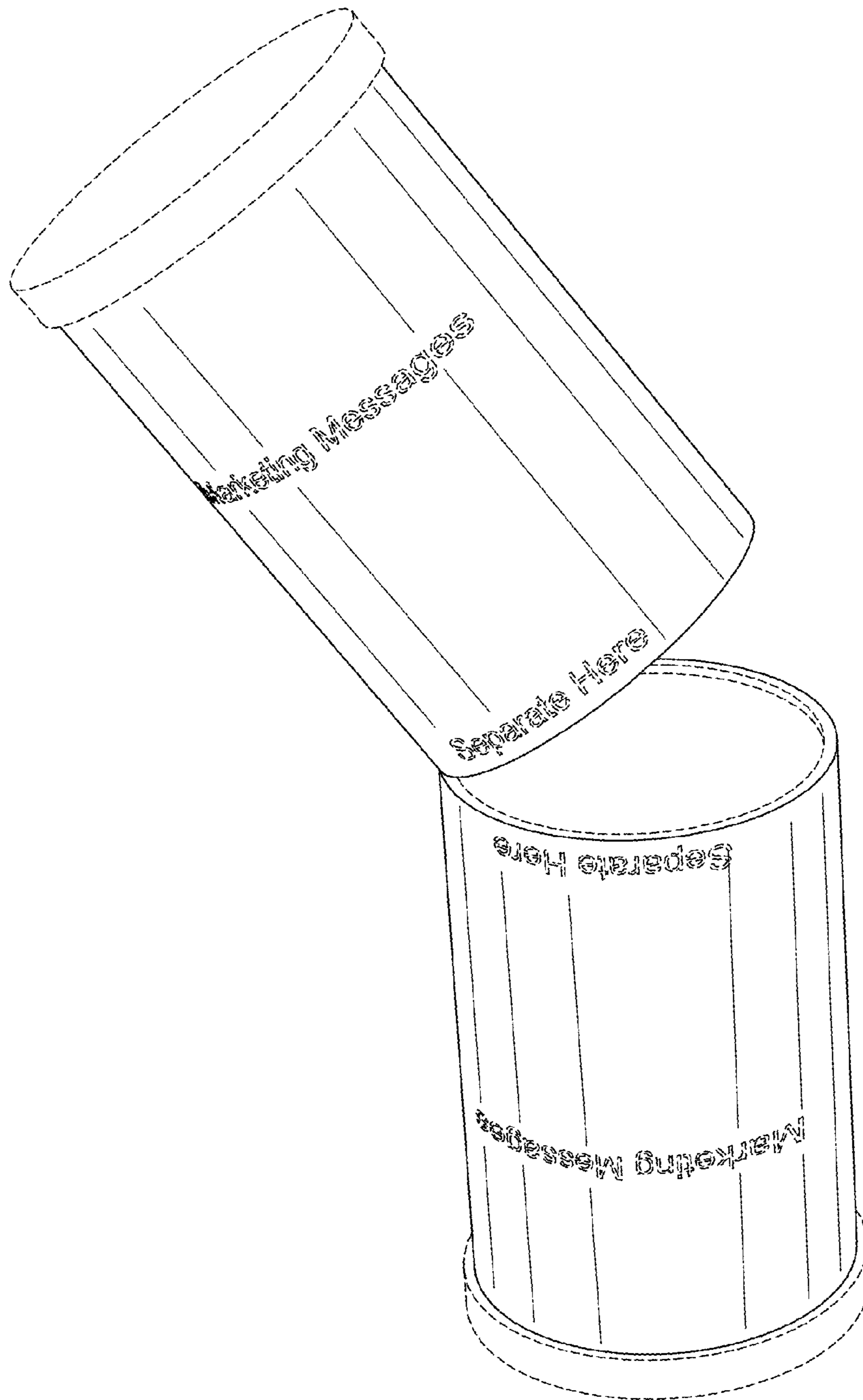


FIG. 5