



US00D697427S

(12) **United States Design Patent**  
**Thuesen**

(10) **Patent No.:** **US D697,427 S**  
(45) **Date of Patent:** **\*\* \*Jan. 14, 2014**

- (54) **PACKAGE FOR MANUFACTURER COUPONS**
- (75) Inventor: **Marcus L. Thuesen**, Houston, TX (US)
- (73) Assignee: **AdverFlame, LLC**, Houston, TX (US)
- (\*) Notice: This patent is subject to a terminal disclaimer.
- (\*\*) Term: **14 Years**
- (21) Appl. No.: **29/395,289**
- (22) Filed: **Dec. 29, 2011**
- (51) **LOC (10) Cl.** ..... **09-03**
- (52) **U.S. Cl.**  
USPC ..... **D9/701**
- (58) **Field of Classification Search**  
USPC ..... D19/1-12, 20-34; D27/139-140,  
D27/172-193; D9/416, 432, 701; 206/472,  
206/476, 104, 108, 99, 110, 113, 820,  
206/91-96, 121, 216, 395, 424, 484;  
283/49-52, 56-58, 61; 428/121-124  
See application file for complete search history.

(56) **References Cited**

**U.S. PATENT DOCUMENTS**

1,116,043	A	11/1914	Elliot	
1,315,591	A *	9/1919	Barker	283/63.1
1,459,033	A *	6/1923	Pfersch	206/109
1,634,712	A	7/1927	Friedman	
1,650,703	A	11/1927	Friedman	
1,839,846	A	1/1932	Greenbaum	
1,968,353	A	7/1934	Potter	
1,975,526	A	10/1934	Williams et al.	
2,023,884	A *	12/1935	Grote	401/52
2,105,842	A	1/1938	Pindell	
2,118,634	A	5/1938	Williams	

(Continued)

**OTHER PUBLICATIONS**

KM Zundholz Int'l Karl Muller GmbH Website ([www.kmmatch.com](http://www.kmmatch.com)), page [http://www.kmmatch.com/Werbezuendhoelzer/pic/abbildung/g\\_special2.jpg](http://www.kmmatch.com/Werbezuendhoelzer/pic/abbildung/g_special2.jpg) (Aug. 11, 2004).

(Continued)

*Primary Examiner* — Caron D Veynar  
*Assistant Examiner* — Abraham Bahta  
(74) *Attorney, Agent, or Firm* — Keith B. Willhelm

(57) **CLAIM**

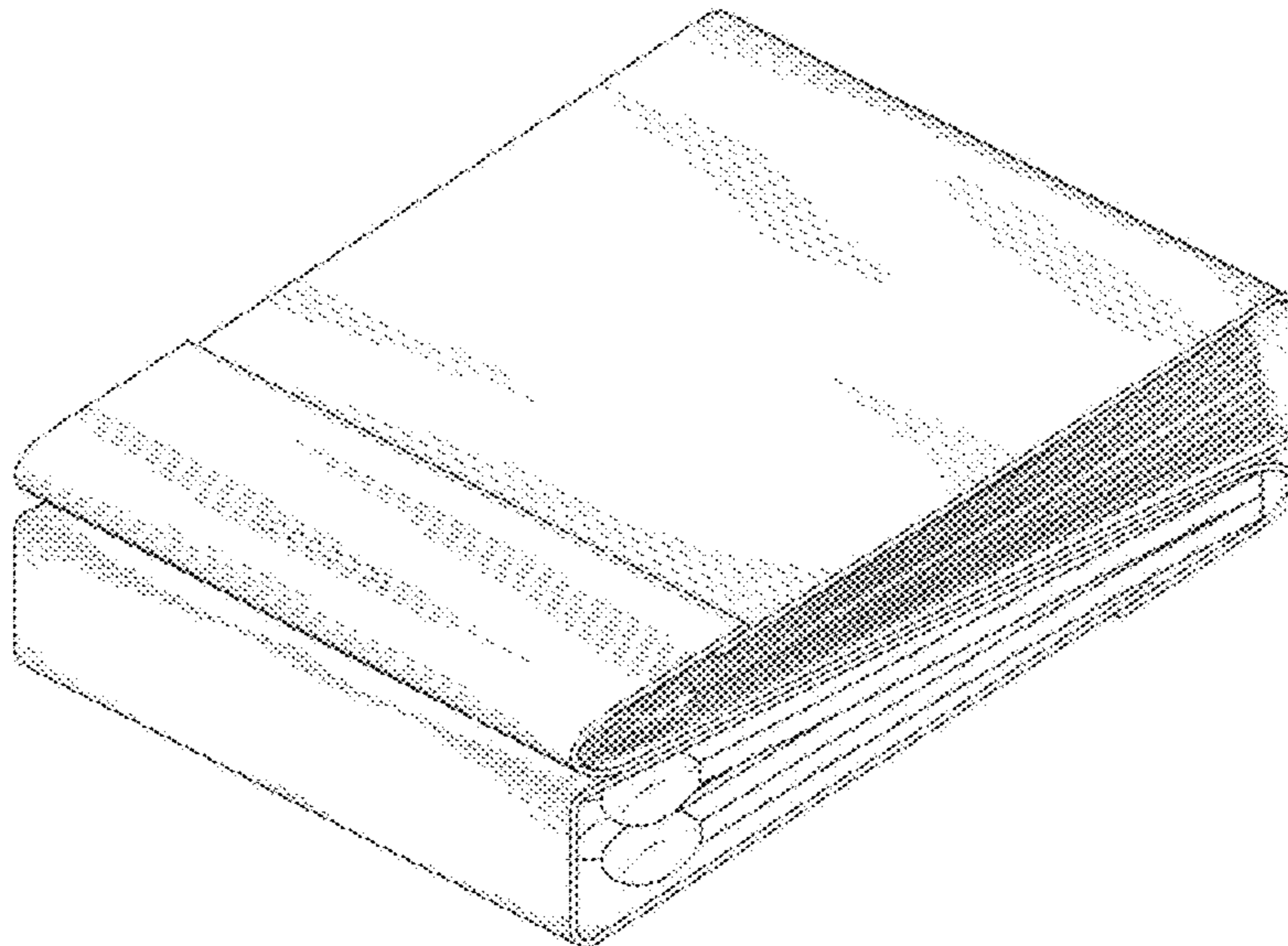
I claim the ornamental design for a package for manufacturer coupons, as shown and described.

**DESCRIPTION**

FIG. 1 is a top, right front perspective view of the package for manufacturer coupons showing my new design;  
 FIG. 2 is a top, right front perspective view thereof; the cover of the package being partially opened to reveal manufacturer coupons therein;  
 FIG. 3 is front perspective view thereof; the cover of the package being fully opened and the manufacturer coupons being folded therein;  
 FIG. 4 is a front perspective view thereof; the cover of the package being fully opened and the spread-apart manufacturer coupons being unfolded therein;  
 FIG. 5 is a top, right front perspective view thereof; the cover of the package being partially opened to reveal matches therein;  
 FIG. 6 is a front elevation view thereof;  
 FIG. 7 is back elevation view thereof;  
 FIG. 8 is a bottom view thereof;  
 FIG. 9 is a top view thereof; and,  
 FIG. 10 is a right side view; the left view being a mirror image thereof.

The broken line showing of a staple and the alphabets MC representing manufacturer coupons is included for the purpose of illustrating environmental structure and forms no part of the claimed design.

**1 Claim, 7 Drawing Sheets**



(56)

References Cited

U.S. PATENT DOCUMENTS

2,184,629 A 12/1939 Weiss  
 2,234,276 A 3/1941 Redcliffe  
 2,288,342 A 6/1942 Brooks  
 2,296,510 A \* 9/1942 Fischer ..... 206/106  
 2,297,527 A \* 9/1942 Behan ..... 206/114  
 2,304,403 A \* 12/1942 Fischer ..... 206/106  
 2,411,368 A 11/1946 Dow  
 3,038,595 A 2/1959 Janus  
 2,933,181 A 4/1960 Will  
 2,996,173 A 8/1961 Will  
 3,211,470 A 10/1965 Wilson  
 3,358,817 A 12/1967 Will  
 3,394,795 A 7/1968 Bernard  
 3,958,689 A 5/1976 Roth  
 4,053,048 A \* 10/1977 Cohn ..... 206/106  
 D248,369 S \* 7/1978 Robertson et al. .... D9/600  
 4,103,820 A 8/1978 Mathison et al.  
 4,154,337 A 5/1979 Tybie  
 D263,449 S \* 3/1982 Jarund ..... D9/415  
 4,620,664 A 11/1986 Kaufman  
 D286,981 S \* 12/1986 Gold ..... D9/701  
 4,690,273 A 9/1987 Smith  
 4,795,027 A 1/1989 Benavides

4,906,026 A \* 3/1990 Gordon et al. .... 283/67  
 4,917,236 A 4/1990 Galvez-Moran  
 5,072,877 A 12/1991 Van Fulpen  
 5,074,462 A 12/1991 Countee, Jr.  
 5,119,941 A 6/1992 Lepie  
 5,181,755 A \* 1/1993 Stanwich et al. .... 294/212  
 5,474,183 A 12/1995 Warren et al.  
 6,085,903 A 11/2000 Jotcham et al.  
 6,305,531 B1 10/2001 Wilkman  
 D462,007 S \* 8/2002 Spinoy ..... D9/701  
 8,087,214 B1 1/2012 Thuesen et al.  
 8,266,876 B1 9/2012 Thuesen et al.  
 2002/0030112 A1 3/2002 Schreiber  
 2006/0157370 A1 7/2006 Thuesen et al.

OTHER PUBLICATIONS

*Office Action*, U.S. Appl. No. 10/980,547, mailed Aug. 8, 2006.  
*Office Action*, U.S. Appl. No. 10/980,547, mailed Jan. 17, 2007.  
*Office Action*, U.S. Appl. No. 10/980,547, mailed Apr. 16, 2007.  
*Office Action*, U.S. Appl. No. 10/980,547, mailed Dec. 11, 2007.  
*Office Action*, U.S. Appl. No. 11/893,252, mailed Jan. 27, 2009.  
*Office Action*, U.S. Appl. No. 11/893,252, mailed Jun. 30, 2009.  
*Office Action*, U.S. Appl. No. 11/893,252, mailed Mar. 30, 2011.  
*Office Action*, U.S. Appl. No. 13/373,159, mailed Mar. 1, 2012.

\* cited by examiner

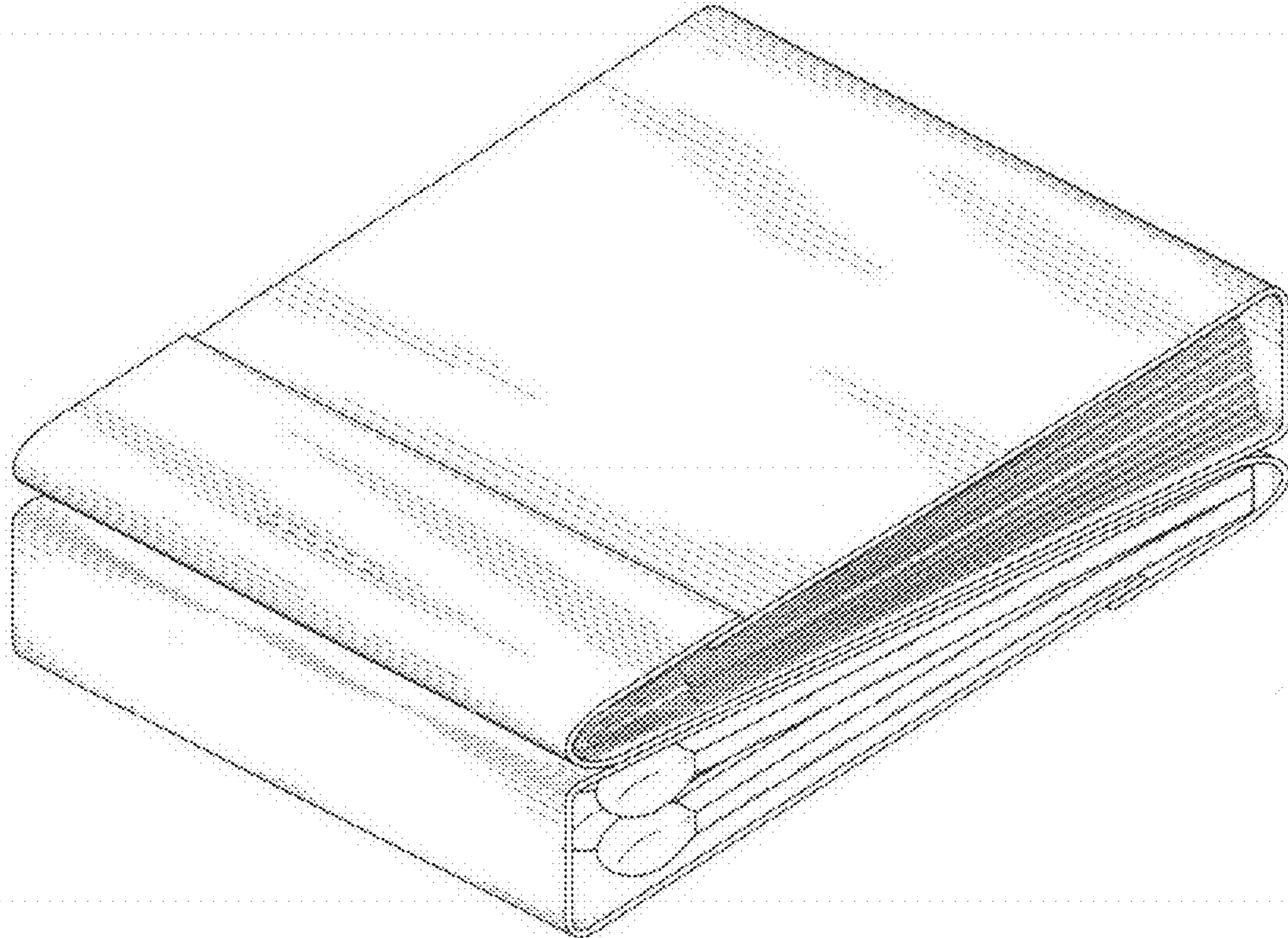


FIG. 1

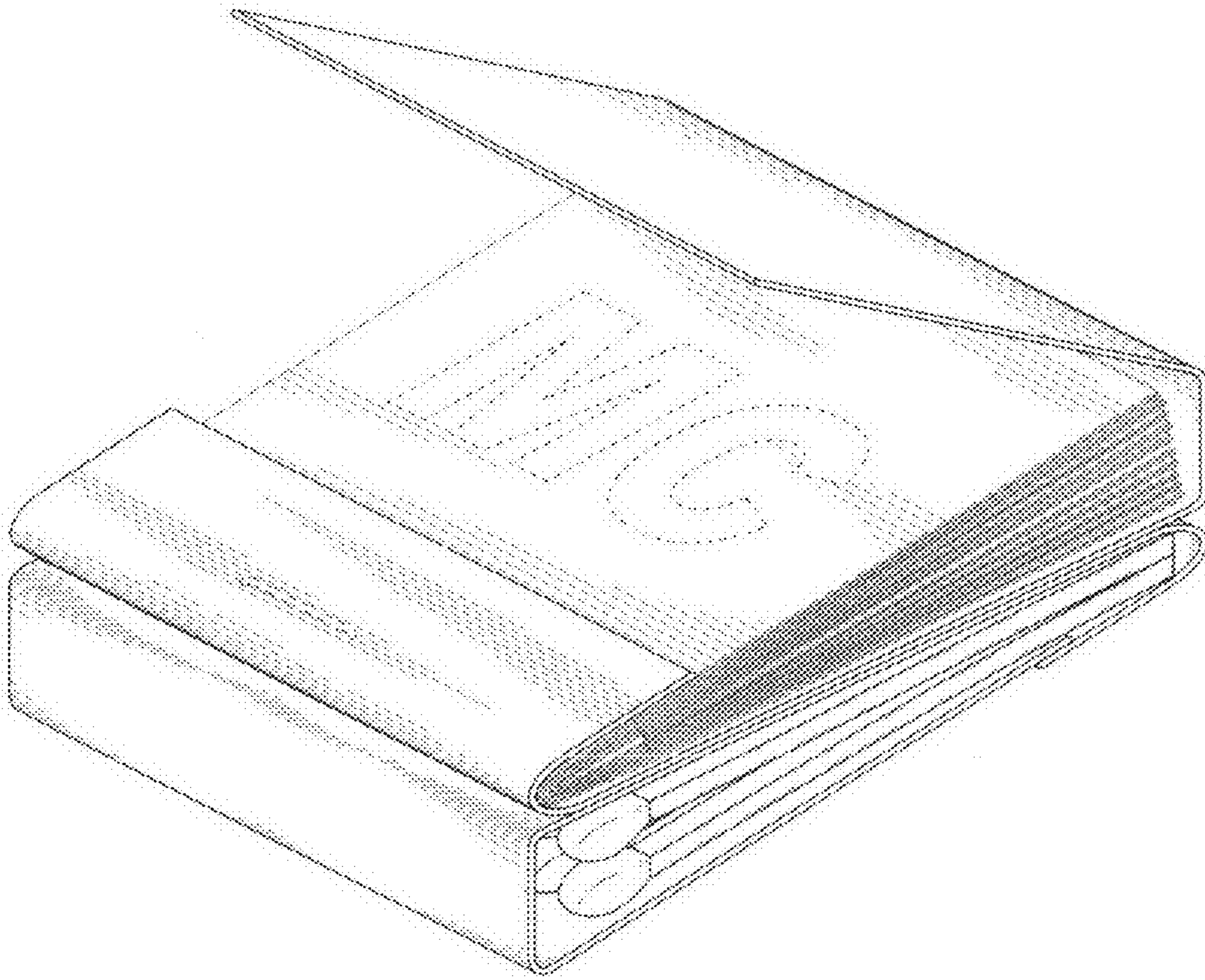


FIG. 2

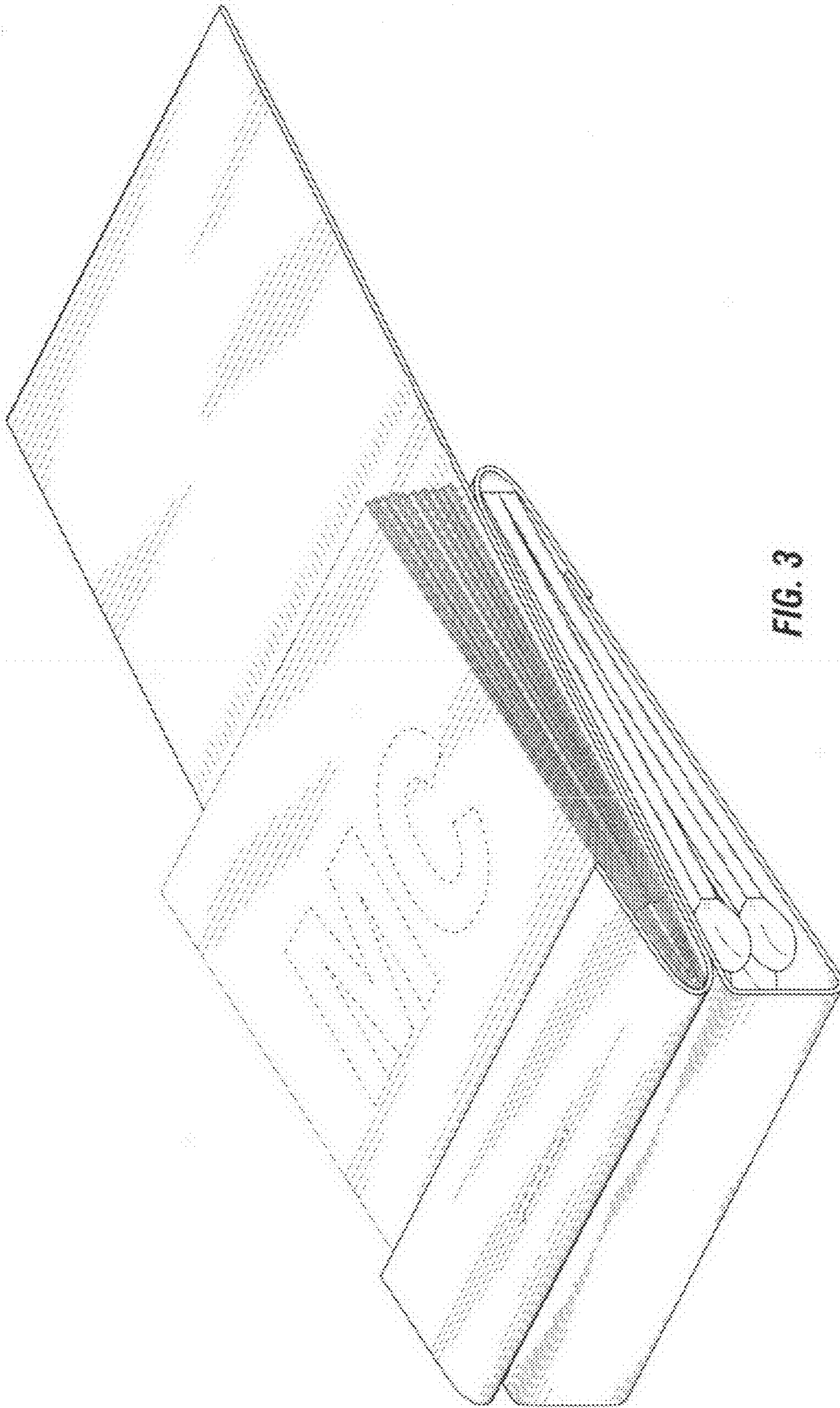


FIG. 3

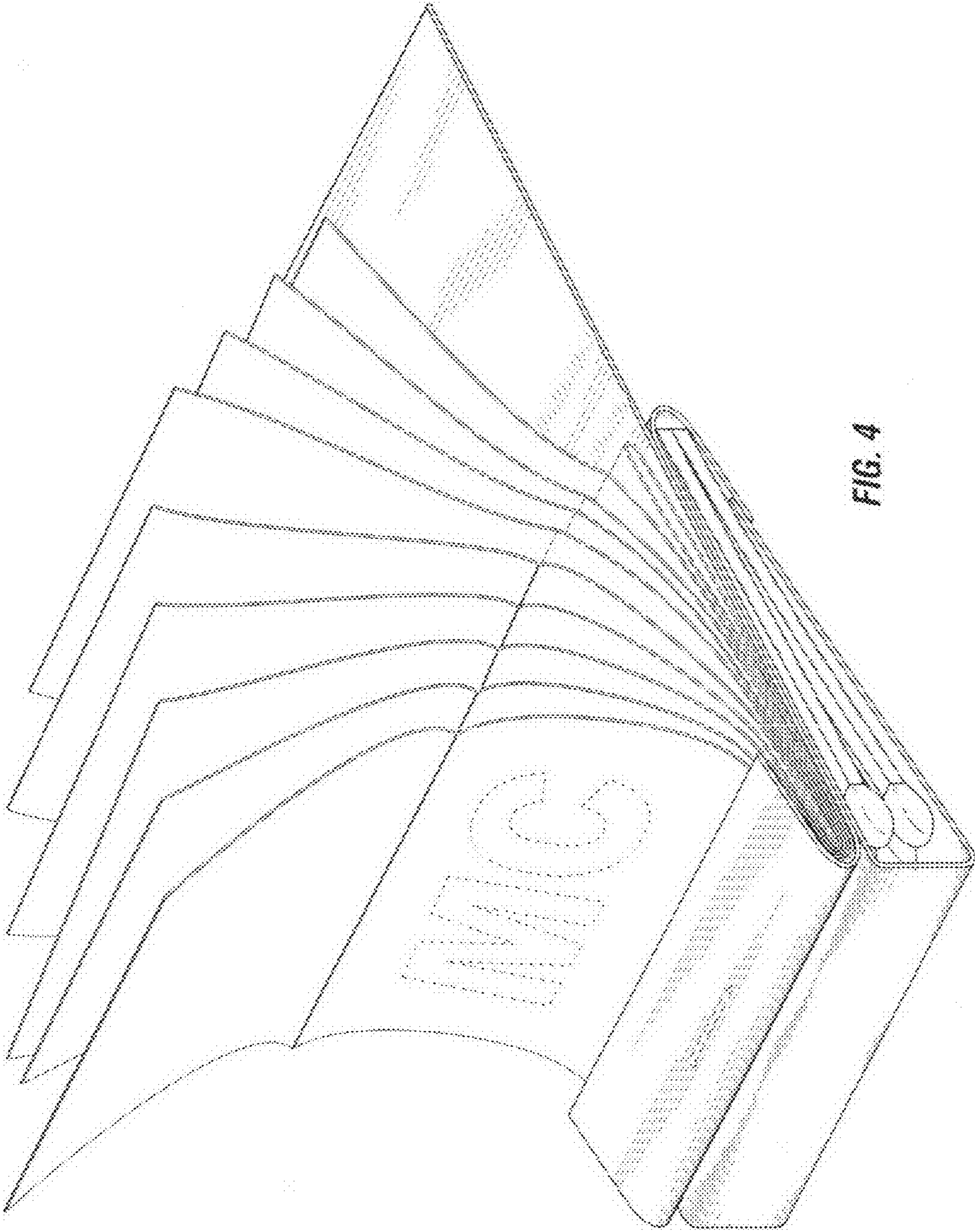


FIG. 4

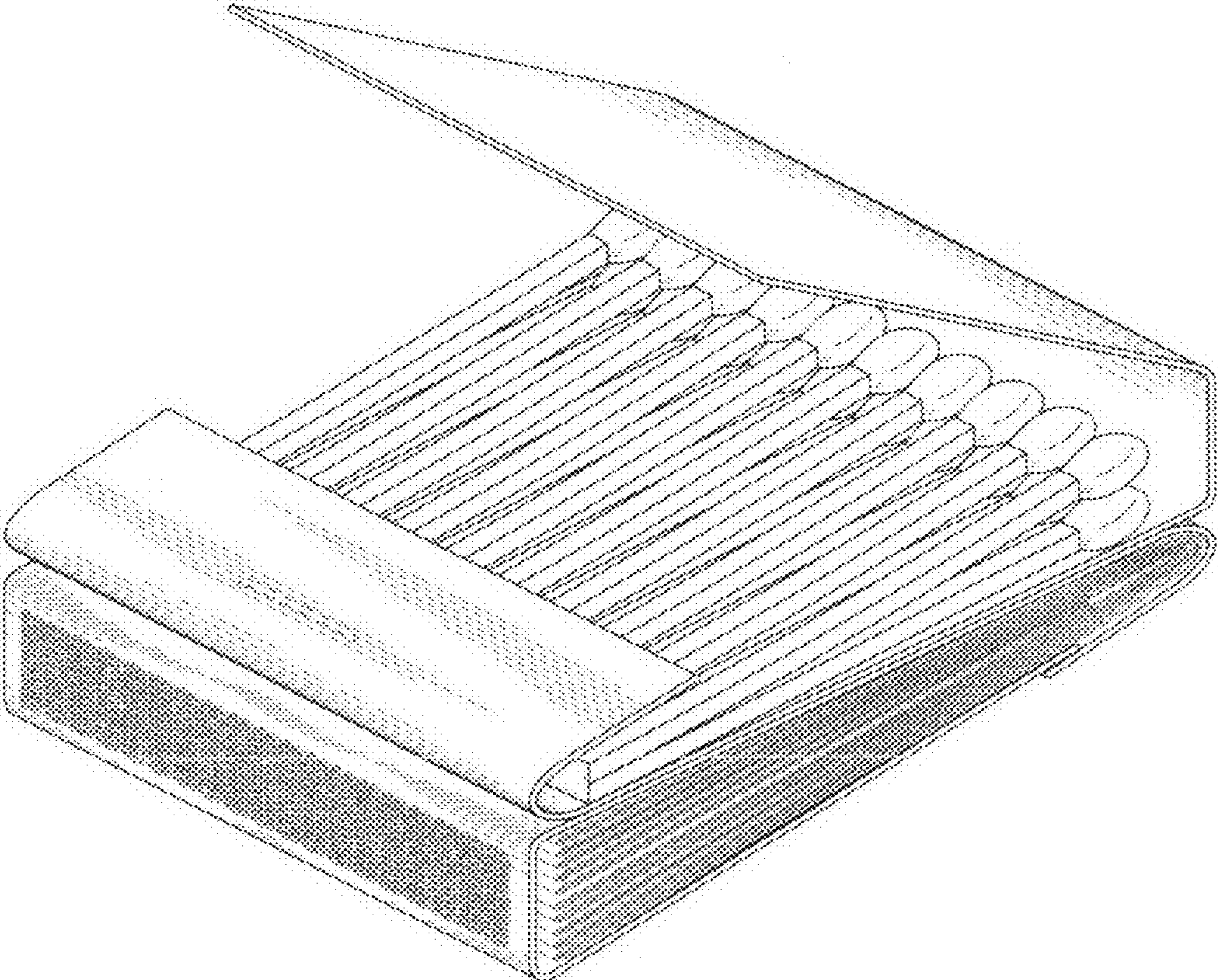


FIG. 5

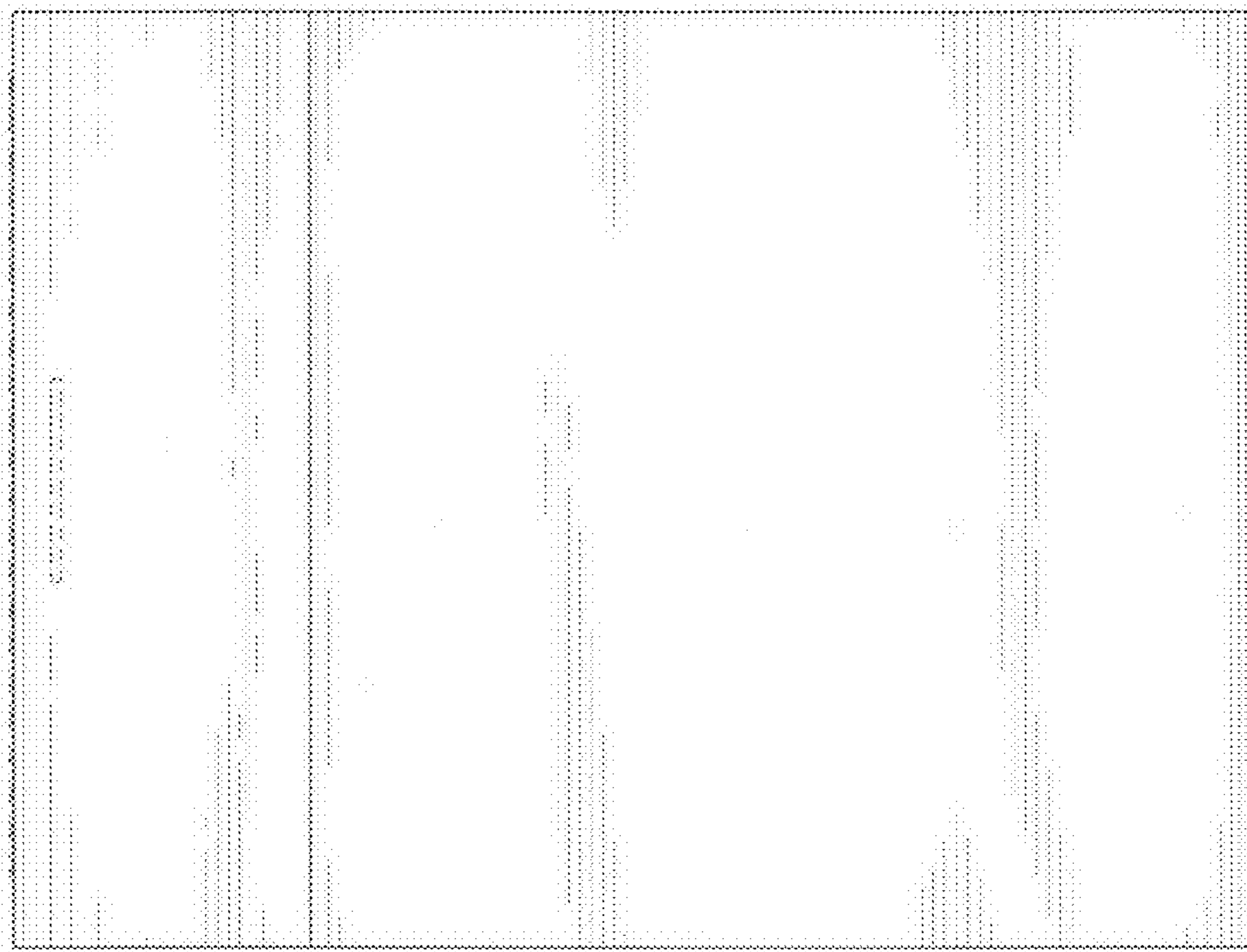


FIG. 7

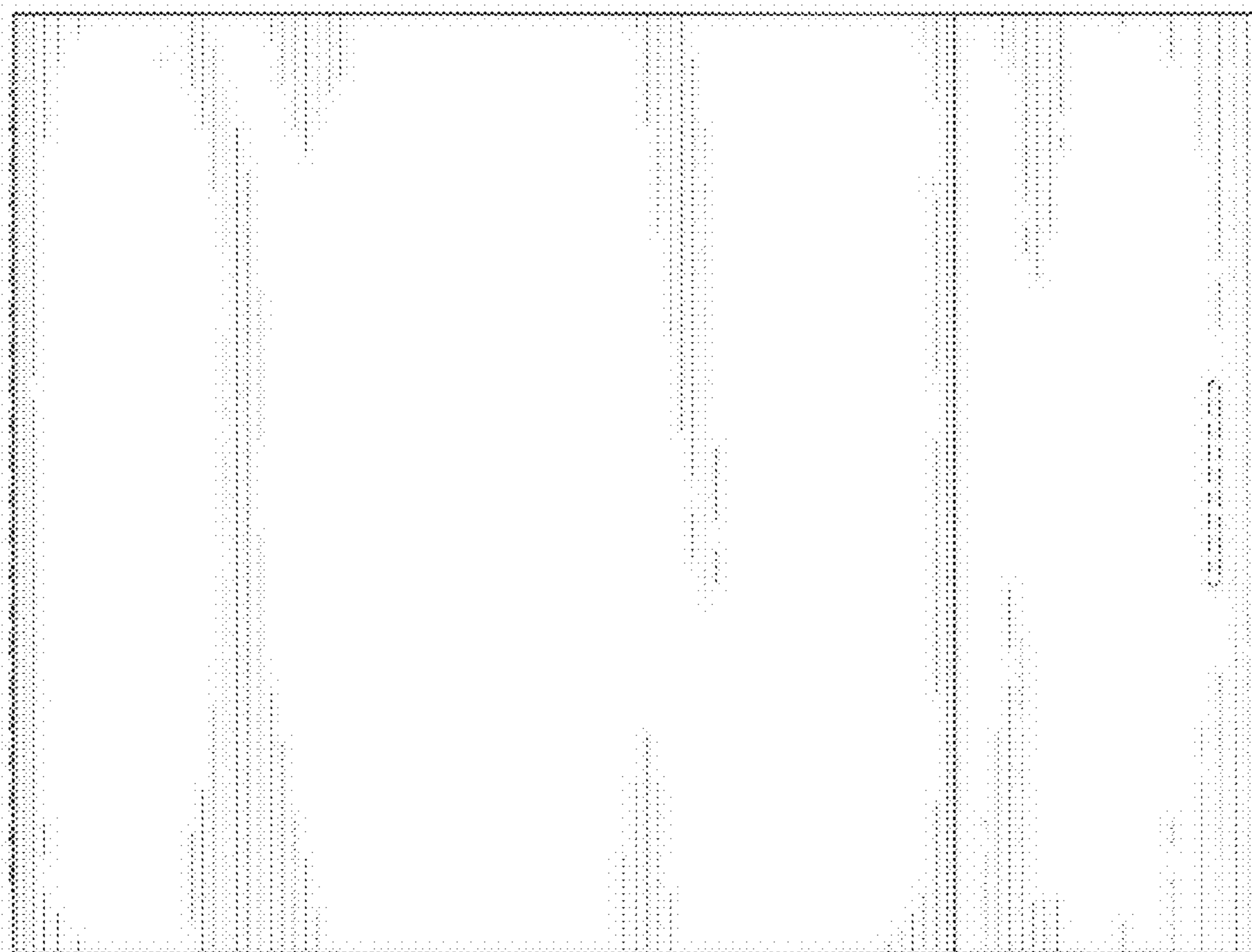


FIG. 6



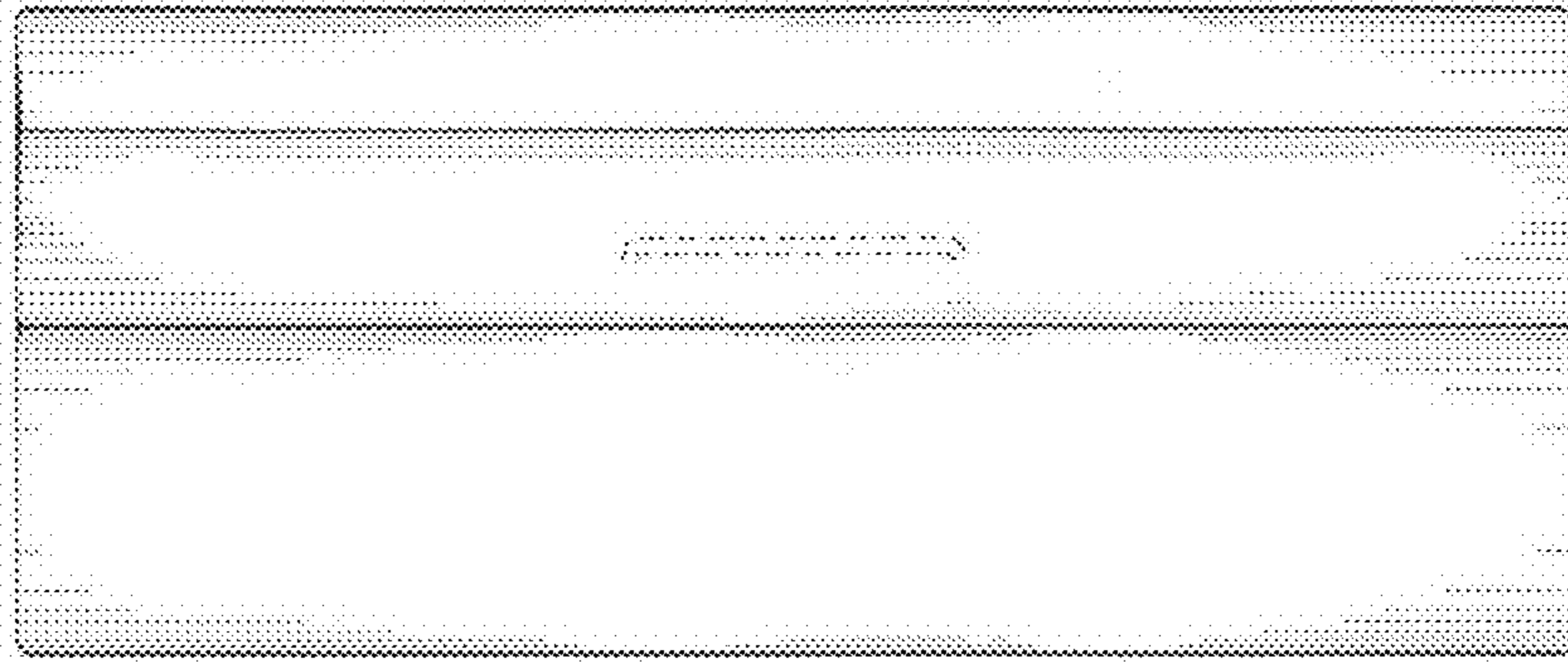


FIG. 8

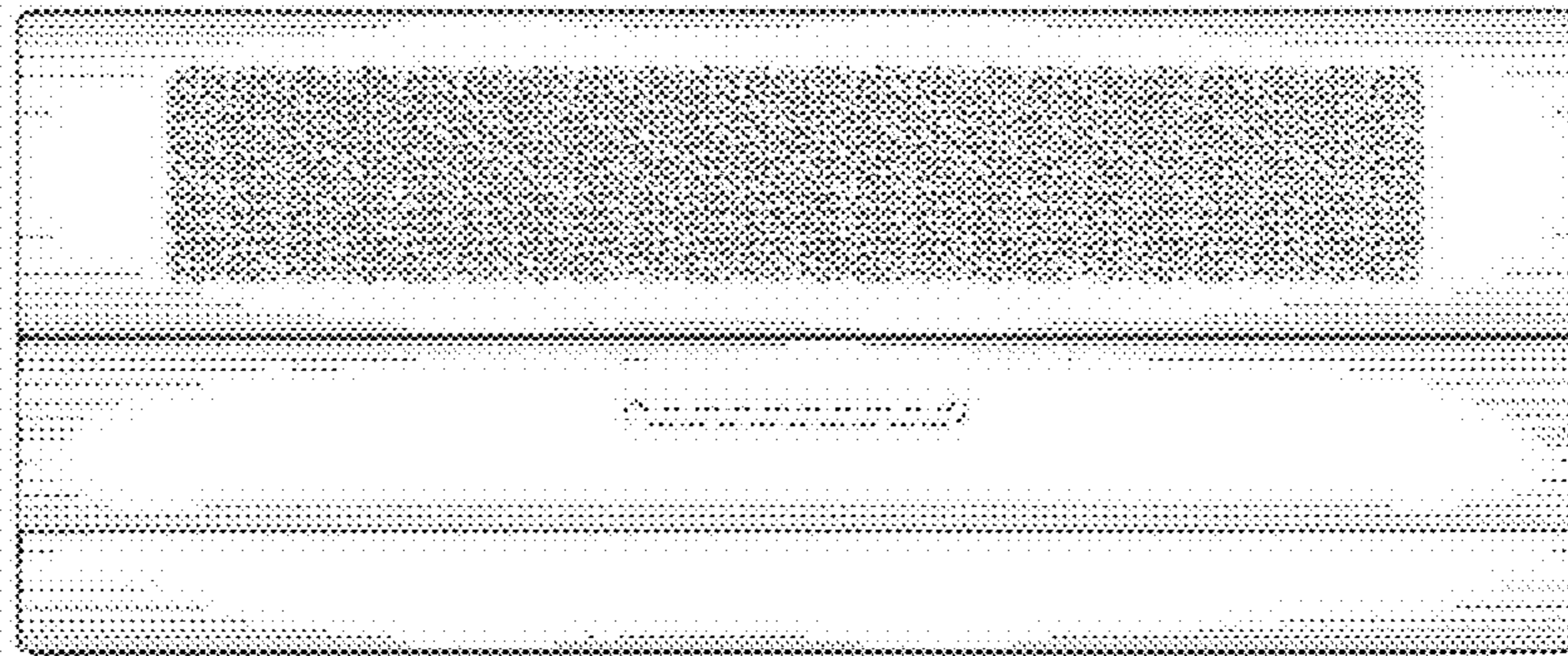


FIG. 9

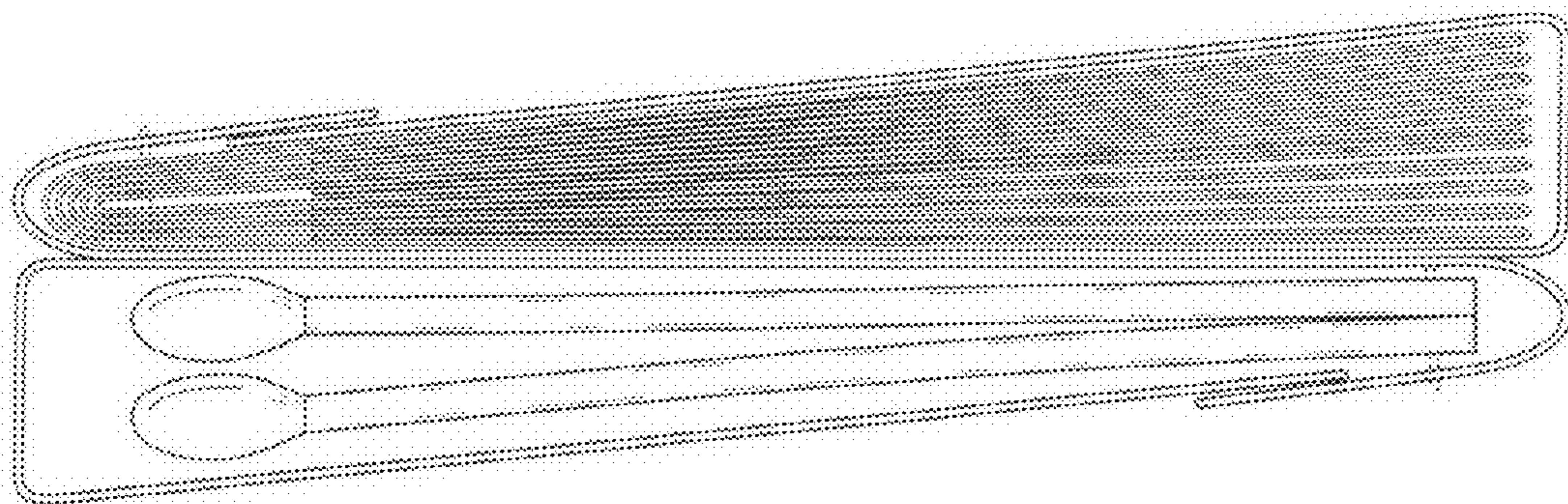


FIG. 10