

US00D697426S

(12) **United States Design Patent**
Thuesen

(10) **Patent No.:** **US D697,426 S**
(45) **Date of Patent:** **** *Jan. 14, 2014**

- (54) **MATCHBOOK**
- (75) Inventor: **Marcus L. Thuesen**, Houston, TX (US)
- (73) Assignee: **AdverFlame, LLC**, Houston, TX (US)
- (*) Notice: This patent is subject to a terminal disclaimer.
- (**) Term: **14 Years**

2,304,403 A * 12/1942 Fischer 206/106
 2,411,368 A 11/1946 Dow
 3,038,595 A 2/1959 Janus

(Continued)

- (21) Appl. No.: **29/395,287**
- (22) Filed: **Dec. 29, 2011**
- (51) **LOC (10) Cl.** **09-03**
- (52) **U.S. Cl.**
USPC **D9/701**
- (58) **Field of Classification Search**
USPC D19/1-12, 20-34; 229/70-76,
229/87.01-87.09, 87.11-87.19, 92.8;
D27/139-140, 172-193; D9/416, 701,
D9/432; 206/472, 476, 104, 99, 108, 110,
206/113, 820, 90-96, 121, 216, 395, 424,
206/484

OTHER PUBLICATIONS

KM Zundholz Int'l Karl Muller GmbH Website (www.kmmatch.com) , page http://www.kmmatch.com/Werbezuendhoelzer/pic/abbildung/g_special2.jpg (Aug. 11, 2004).

(Continued)

Primary Examiner — Caron D Veynar
Assistant Examiner — Abraham Bahta
 (74) *Attorney, Agent, or Firm* — Keith B. Willhelm

(57) **CLAIM**
 The ornamental design for a matchbook, as shown and described.

DESCRIPTION

FIG. 1 is a top, right front perspective view of the matchbook showing my new design;
 FIG. 2 is a top, right front perspective view thereof; the cover of the matchbook being partially opened to reveal an insert sheet therein;
 FIG. 3 is another perspective view thereof; the cover being fully opened;
 FIG. 4 is a front elevation view thereof; the cover being fully opened;
 FIG. 5 is a front elevation view thereof;
 FIG. 6 is a back elevation view thereof;
 FIG. 7 is a bottom view thereof;
 FIG. 8 is a top view thereof; and,
 FIG. 9 is a right side view; the left view being a mirror image thereof.
 The broken line showing of a staple, matches, and a strip of striking material is included for the purpose of illustrating environmental structure and forms no part of the claimed design.

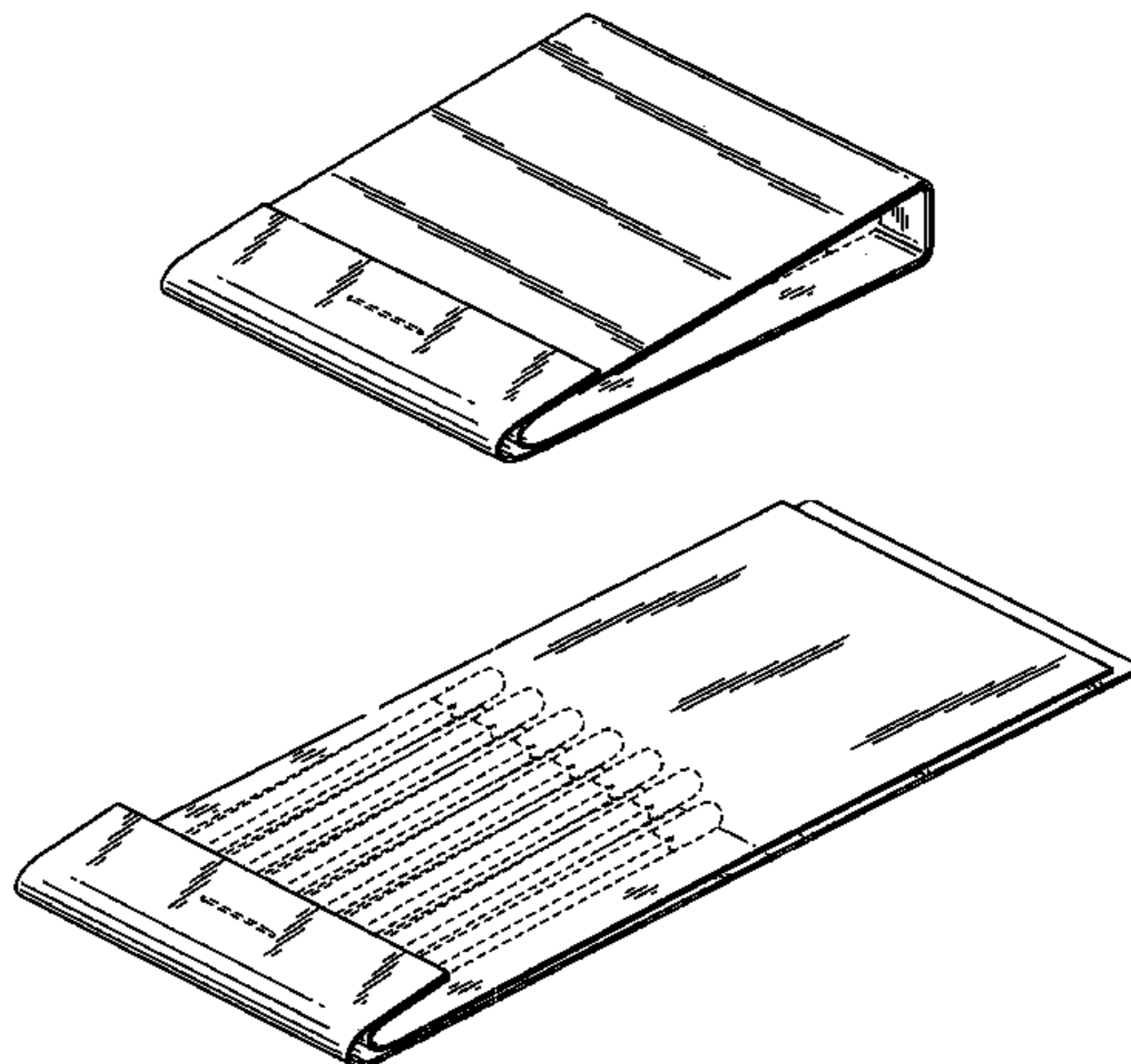
See application file for complete search history.

(56) **References Cited**

U.S. PATENT DOCUMENTS

1,116,043	A	11/1914	Elliot	
1,459,033	A *	6/1923	Pfersch	206/109
1,634,712	A	7/1927	Friedman	
1,650,703	A	11/1927	Friedman	
1,839,846	A	1/1932	Greenbaum	
1,968,353	A	7/1934	Potter	
1,975,526	A	10/1934	Williams et al.	
2,023,884	A *	12/1935	Grote	401/52
2,105,842	A	1/1938	Pindell	
2,118,634	A	5/1938	Williams	
2,184,629	A	12/1939	Weiss	
2,234,276	A	3/1941	Redcliffe	
2,288,342	A	6/1942	Brooks	
2,296,510	A *	9/1942	Fischer	206/106
2,297,527	A *	9/1942	Behan	206/114

1 Claim, 5 Drawing Sheets



(56)

References Cited

U.S. PATENT DOCUMENTS

2,933,181 A 4/1960 Will
 2,996,173 A 8/1961 Will
 3,211,470 A 10/1965 Wilson
 3,358,817 A 12/1967 Will
 3,394,795 A 7/1968 Bernard
 3,958,689 A 5/1976 Roth
 4,053,048 A * 10/1977 Cohn 206/106
 D248,369 S * 7/1978 Robertson et al. D9/600
 4,103,820 A 8/1978 Mathison et al.
 4,154,337 A 5/1979 Tybie
 4,620,664 A 11/1986 Kaufman
 D286,981 S * 12/1986 Gold D9/701
 4,690,273 A 9/1987 Smith
 4,795,027 A 1/1989 Benavides
 4,917,236 A 4/1990 Galvez-Moran
 5,072,877 A 12/1991 Van Fulpen
 5,074,462 A 12/1991 Countee, Jr.
 5,119,941 A 6/1992 Lepie

5,181,755 A * 1/1993 Stanwich et al. 294/212
 5,474,183 A 12/1995 Warren et al.
 6,085,903 A 7/2000 Jotcham et al.
 6,305,531 B1 10/2001 Wilkman
 D462,007 S * 8/2002 Spinoy D9/701
 8,087,214 B1 1/2012 Thuesen et al.
 8,266,876 B1 9/2012 Thuesen et al.
 2002/0030112 A1 3/2002 Schreiber
 2006/0157370 A1 7/2006 Thuesen et al.

OTHER PUBLICATIONS

Office Action, U.S. Appl. No. 10/980,547, mailed Aug. 8, 2006.
Office Action, U.S. Appl. No. 10/980,547, mailed Jan. 17, 2007.
Office Action, U.S. Appl. No. 10/980,547, mailed Apr. 16, 2007.
Office Action, U.S. Appl. No. 10/980,547, mailed Dec. 11, 2007.
Office Action, U.S. Appl. No. 11/893,252, mailed Jan. 27, 2009.
Office Action, U.S. Appl. No. 11/893,252, mailed Jun. 30, 2009.
Office Action, U.S. Appl. No. 11/893,252, mailed Mar. 30, 2011.
Office Action, U.S. Appl. No. 13/373,159, mailed Mar. 1, 2012.

* cited by examiner

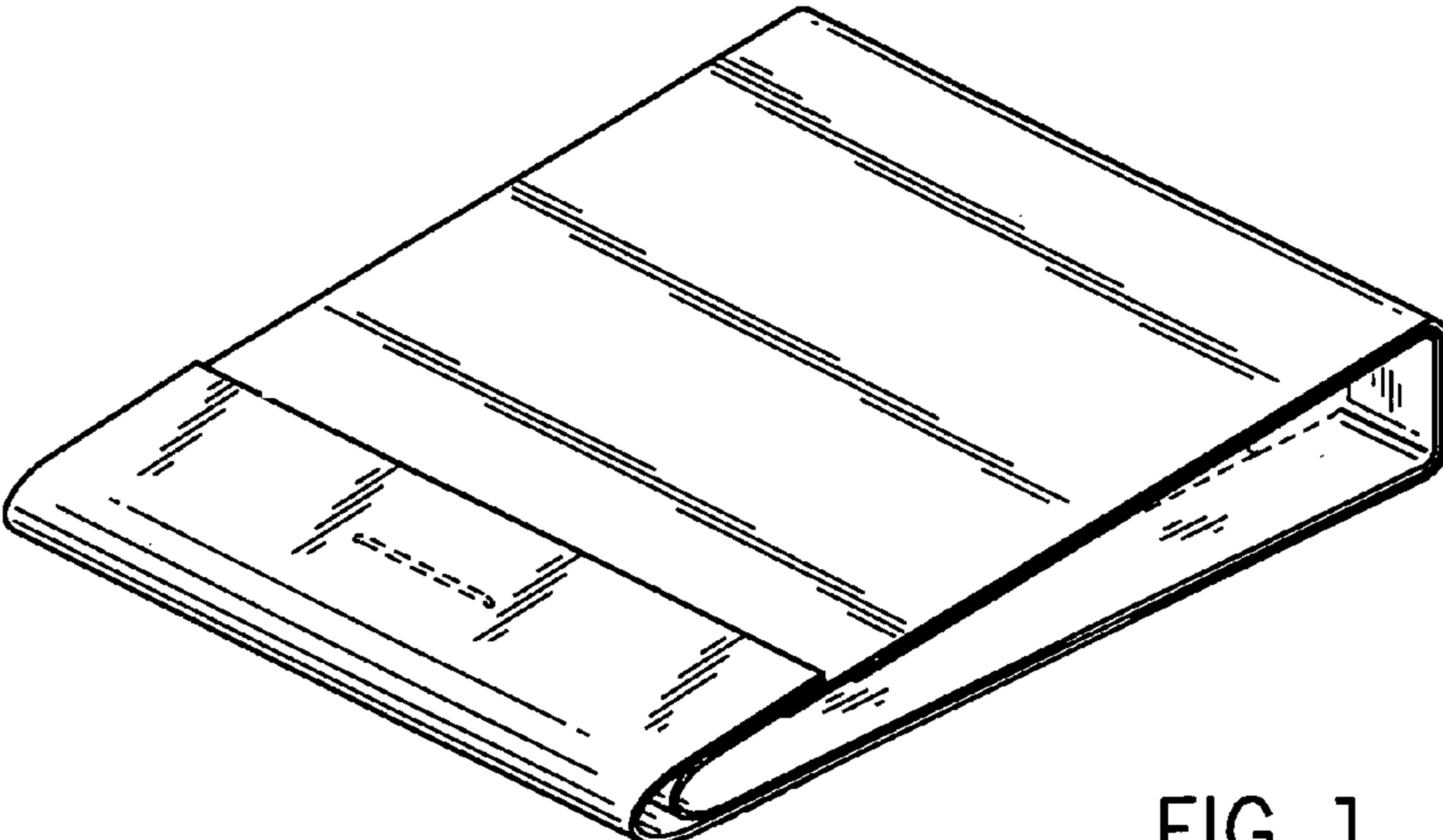


FIG. 1

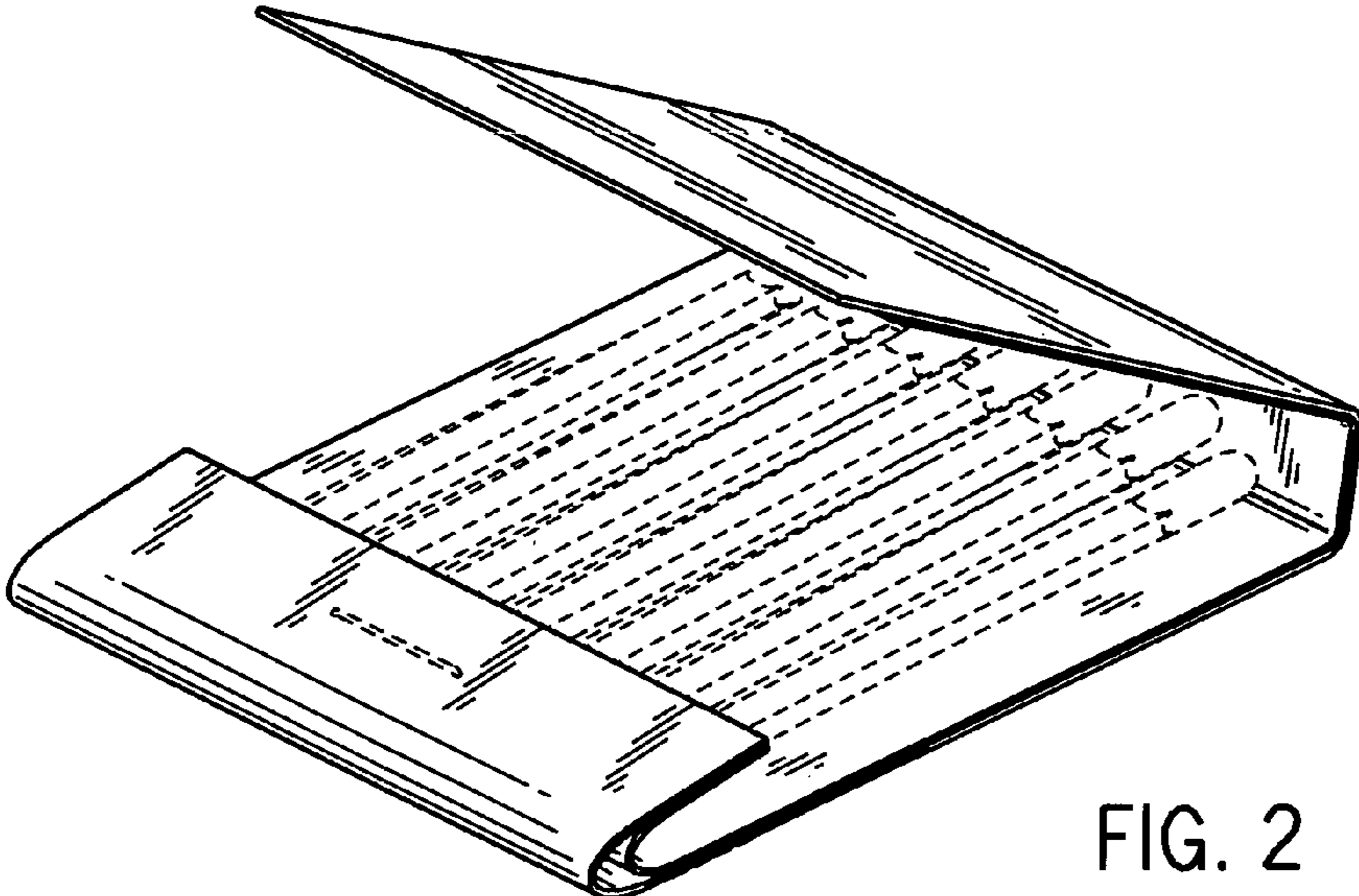


FIG. 2

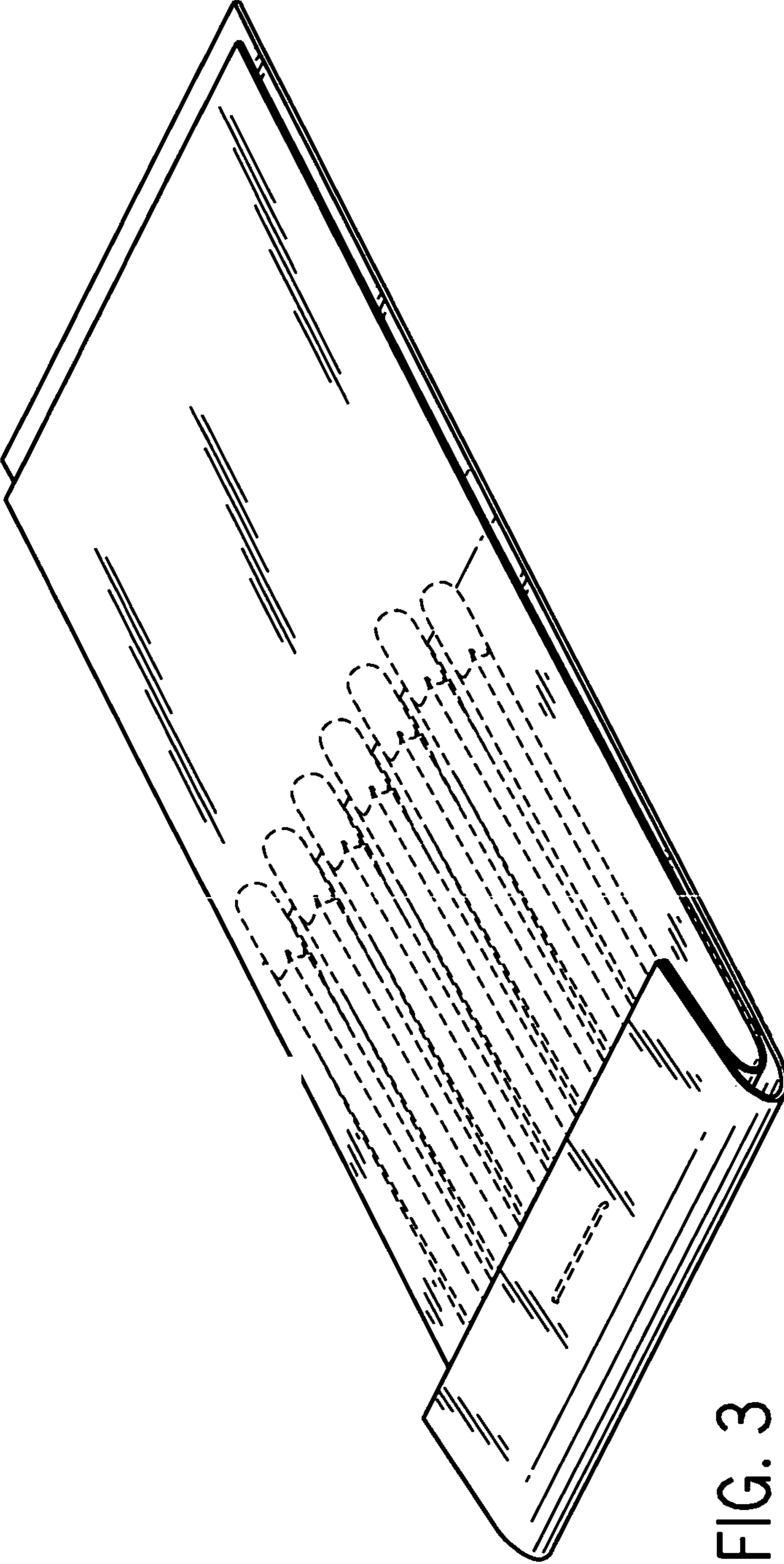
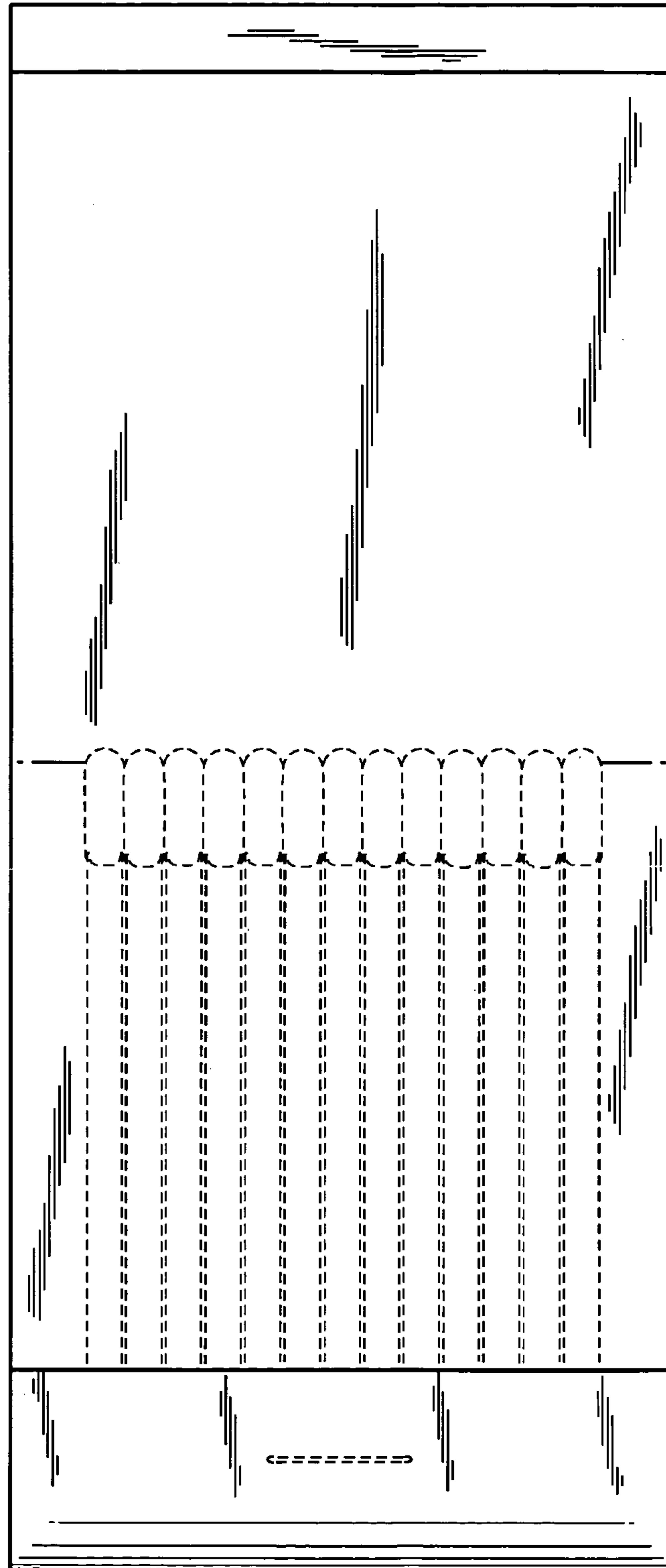


FIG. 3

FIG. 4



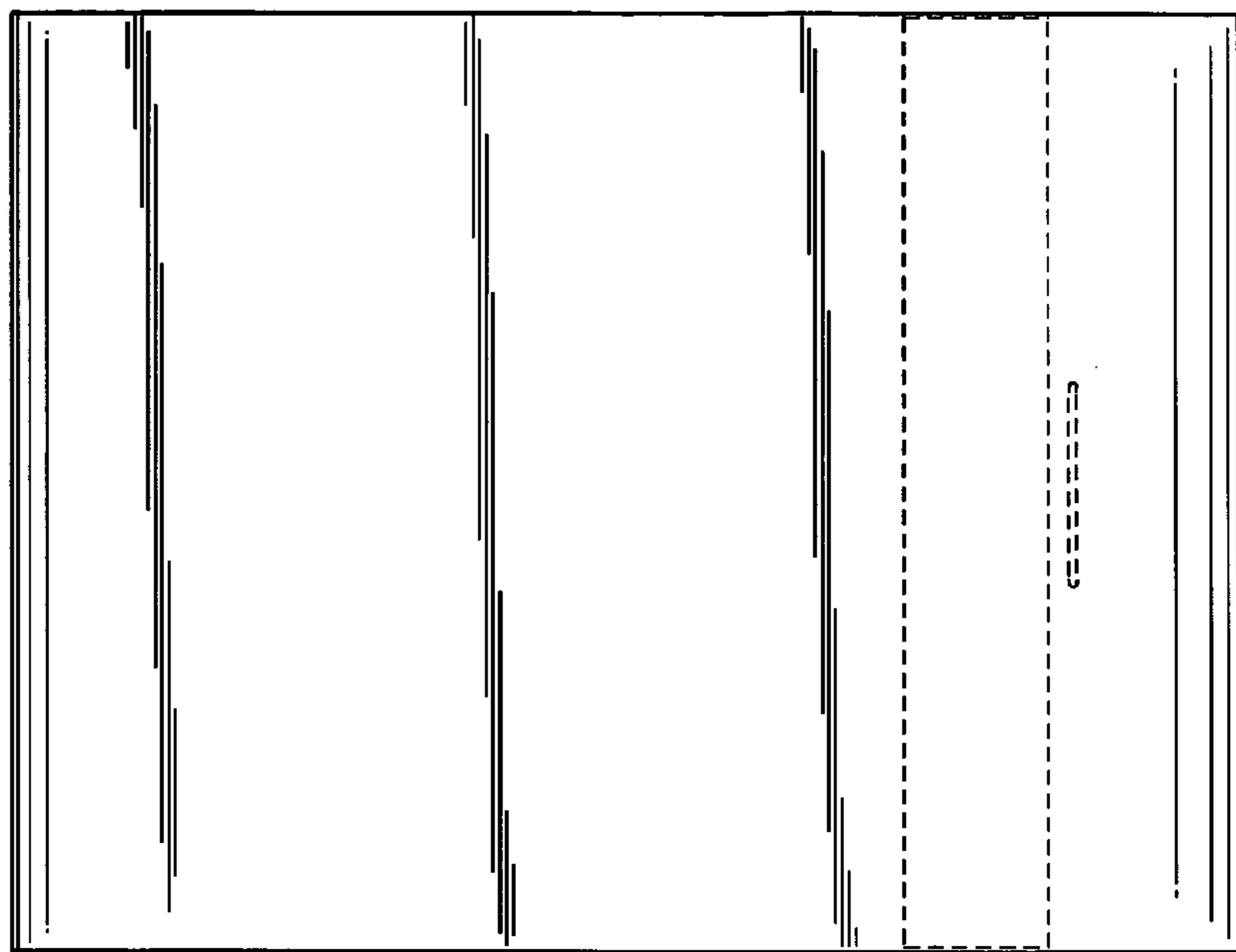


FIG. 6

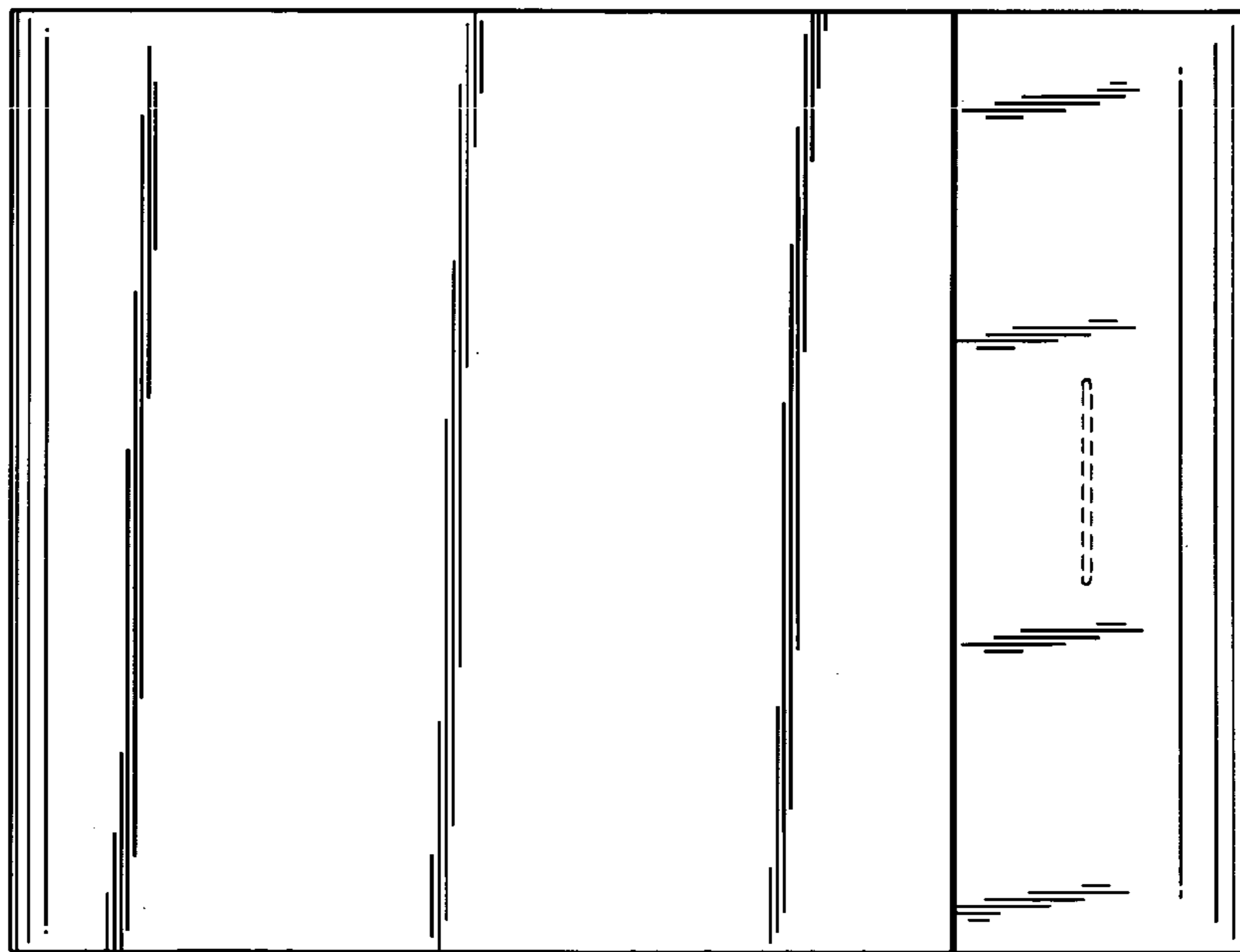


FIG. 5

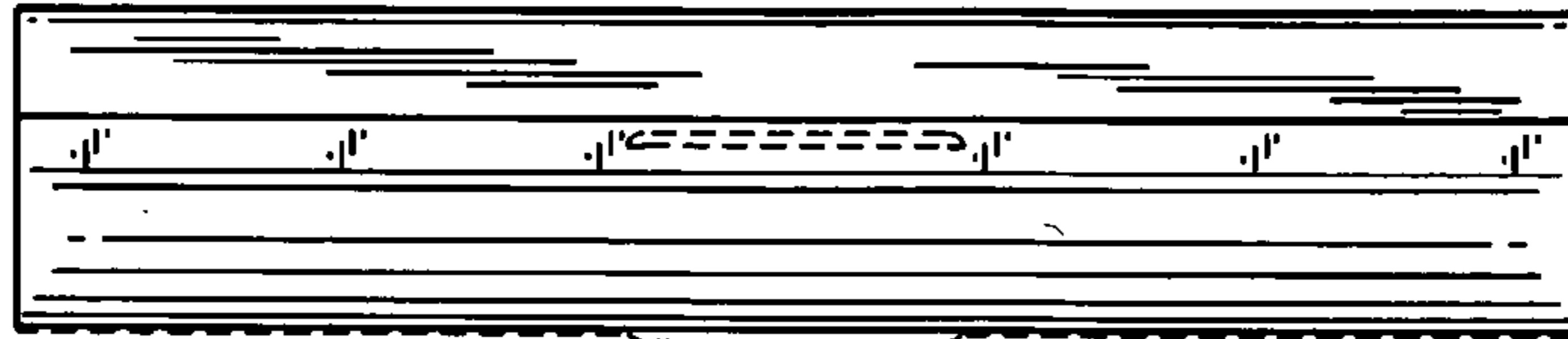


FIG. 7

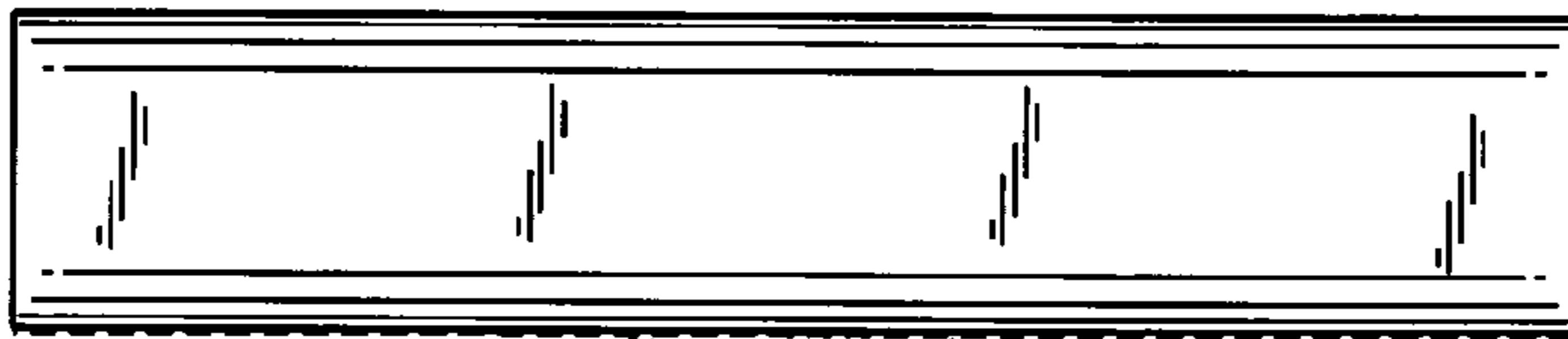


FIG. 8

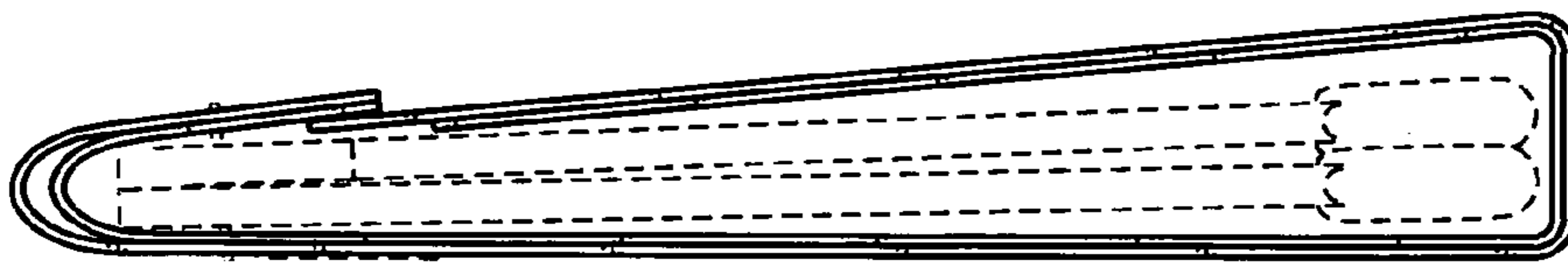


FIG. 9