



US00D697425S

(12) **United States Design Patent**
Thuesen

(10) **Patent No.:** **US D697,425 S**
(45) **Date of Patent:** **** Jan. 14, 2014**

(54) **PACKAGE FOR MANUFACTURER COUPONS**

(75) Inventor: **Marcus L. Thuesen**, Houston, TX (US)

(73) Assignee: **AdverFlame, LLC**, Houston, TX (US)

(**) Term: **14 Years**

(21) Appl. No.: **29/395,283**

(22) Filed: **Dec. 29, 2011**

(51) **LOC (10) Cl.** **09-03**

(52) **U.S. Cl.**
USPC **D9/701**

(58) **Field of Classification Search**

USPC D19/1-12, 20-34; D27/139-140,
D27/172-193; D9/416, 432, 701;
229/70-76, 87.01-87.09, 87.11-87.19;
206/472, 476, 104, 99, 108, 110, 113,
206/820, 91-96, 121, 216, 395, 424, 484;
283/49-52, 56-58, 61; 428/121-124

See application file for complete search history.

(56) **References Cited**

U.S. PATENT DOCUMENTS

| | | | | |
|-----------|-----|---------|-----------------|----------|
| 1,116,043 | A | 11/1914 | Elliot | |
| 1,315,591 | A * | 9/1919 | Barker | 283/63.1 |
| 1,459,033 | A * | 6/1923 | Pfersch | 206/109 |
| 1,634,712 | A | 7/1927 | Friedman | |
| 1,650,703 | A | 11/1927 | Friedman | |
| 1,839,846 | A | 1/1932 | Greenbaum | |
| 1,968,353 | A | 7/1934 | Potter | |
| 1,975,526 | A | 10/1934 | Williams et al. | |
| 2,023,884 | A * | 12/1935 | Grote | 401/52 |
| 2,105,842 | A | 1/1938 | Pindell | |
| 2,118,634 | A | 5/1938 | Williams | |
| 2,184,629 | A | 12/1939 | Weiss | |
| 2,234,276 | A | 3/1941 | Redcliffe | |

(Continued)

OTHER PUBLICATIONS

KM Zundholz Int'l Karl Muller GmbH Website (www.kmmatch.com), page http://www.kmmatch.com/Werbezuendhoelzer/pic/abbildung/g_special2.jpg (Aug. 11, 2004).

(Continued)

Primary Examiner — Caron D Veynar

Assistant Examiner — Abraham Bahta

(74) *Attorney, Agent, or Firm* — Keith B. Willhelm

(57) **CLAIM**

I claim the ornamental design for a package for manufacturer coupons, as shown and described.

DESCRIPTION

FIG. 1 is a top, right front perspective view of the package for manufacturer coupons showing my new design;

FIG. 2 is a top, right front perspective view thereof; the cover of the package being partially opened to reveal manufacturer coupons therein;

FIG. 3 is front perspective view thereof; the cover of the package being fully opened and the manufacturer coupons being folded therein;

FIG. 4 is a front perspective view thereof; the cover of the package being fully opened and the spread-apart manufacturer coupons being unfolded therein;

FIG. 5 is a rear perspective view thereof; the cover of the package being partially opened to reveal the matches therein;

FIG. 6 is a front elevation view thereof;

FIG. 7 is back elevation view thereof;

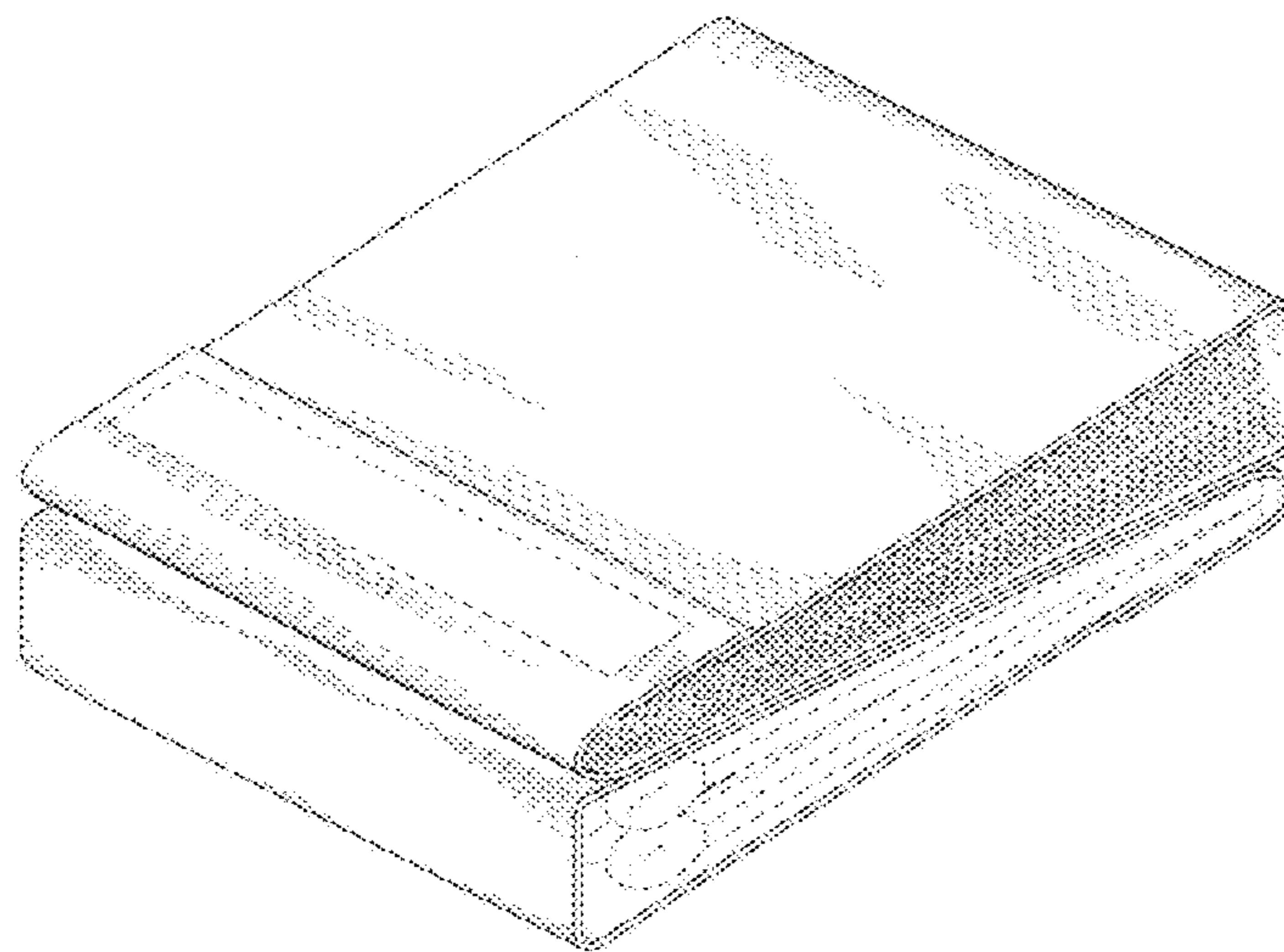
FIG. 8 is a bottom view thereof;

FIG. 9 is a top view thereof; and,

FIG. 10 is a right side view; the left view being a mirror image thereof.

The broken line showing of a staple, a plurality of manufacturer coupons, matches and a strip of striking material is included for the purpose of illustrating environmental structure and forms no part of the claimed design.

1 Claim, 7 Drawing Sheets



(56)

References Cited

U.S. PATENT DOCUMENTS

2,288,342 A 6/1942 Brooks
 2,296,510 A * 9/1942 Fischer 206/106
 2,297,527 A * 9/1942 Behan 206/114
 2,304,403 A * 12/1942 Fischer 206/106
 2,411,368 A 11/1946 Dow
 3,038,595 A 2/1959 Janus
 2,933,181 A 4/1960 Will
 2,996,173 A 8/1961 Will
 3,211,470 A 10/1965 Wilson
 3,358,817 A 12/1967 Will
 3,394,795 A 7/1968 Bernard
 3,958,689 A 5/1976 Roth
 4,053,048 A * 10/1977 Cohn 206/106
 D248,369 S * 7/1978 Robertson et al. D9/600
 4,103,820 A 8/1978 Mathison et al.
 4,154,337 A 5/1979 Tybie
 D263,449 S * 3/1982 Jarund D9/415
 4,620,664 A 11/1986 Kaufman
 D286,981 S * 12/1986 Gold D9/701
 4,690,273 A 9/1987 Smith
 4,795,027 A 1/1989 Benavides
 4,906,026 A * 3/1990 Gordon et al. 283/67

4,917,236 A 4/1990 Galvez-Moran
 5,072,877 A 12/1991 Van Fulpen
 5,074,462 A 12/1991 Countee, Jr.
 5,119,941 A 6/1992 Lepie
 5,181,755 A * 1/1993 Stanwich et al. 294/212
 5,474,183 A 12/1995 Warren et al.
 6,085,903 A 7/2000 Jotcham et al.
 6,305,531 B1 10/2001 Wilkman
 D462,007 S * 8/2002 Spinoy D9/701
 8,087,214 B1 1/2012 Thuesen et al.
 8,266,876 B1 9/2012 Thuesen et al.
 2002/0030112 A1 3/2002 Schreiber
 2006/0157370 A1 7/2006 Thuesen et al.

OTHER PUBLICATIONS

Office Action, U.S. Appl. No. 10/980,547, mailed Aug. 8, 2006.
Office Action, U.S. Appl. No. 10/980,547, mailed Jan. 17, 2007.
Office Action, U.S. Appl. No. 10/980,547, mailed Apr. 16, 2007.
Office Action, U.S. Appl. No. 10/980,547, mailed Dec. 11, 2007.
Office Action, U.S. Appl. No. 11/893,252, mailed Jan. 27, 2009.
Office Action, U.S. Appl. No. 11/893,252, mailed Jun. 30, 2009.
Office Action, U.S. Appl. No. 11/893,252, mailed Mar. 30, 2011.
Office Action, U.S. Appl. No. 13/373,159, mailed Mar. 1, 2012.

* cited by examiner

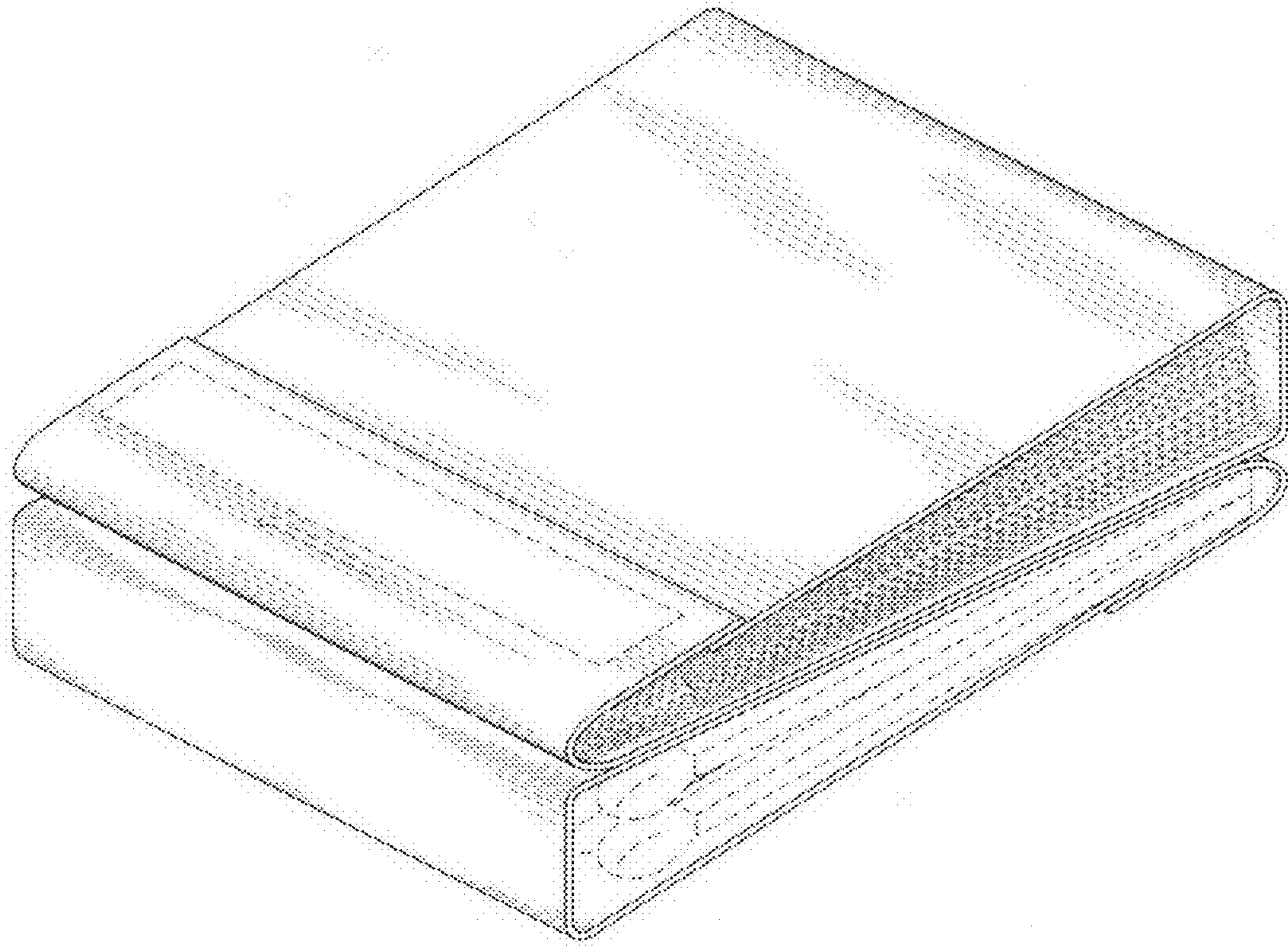


FIG. 1

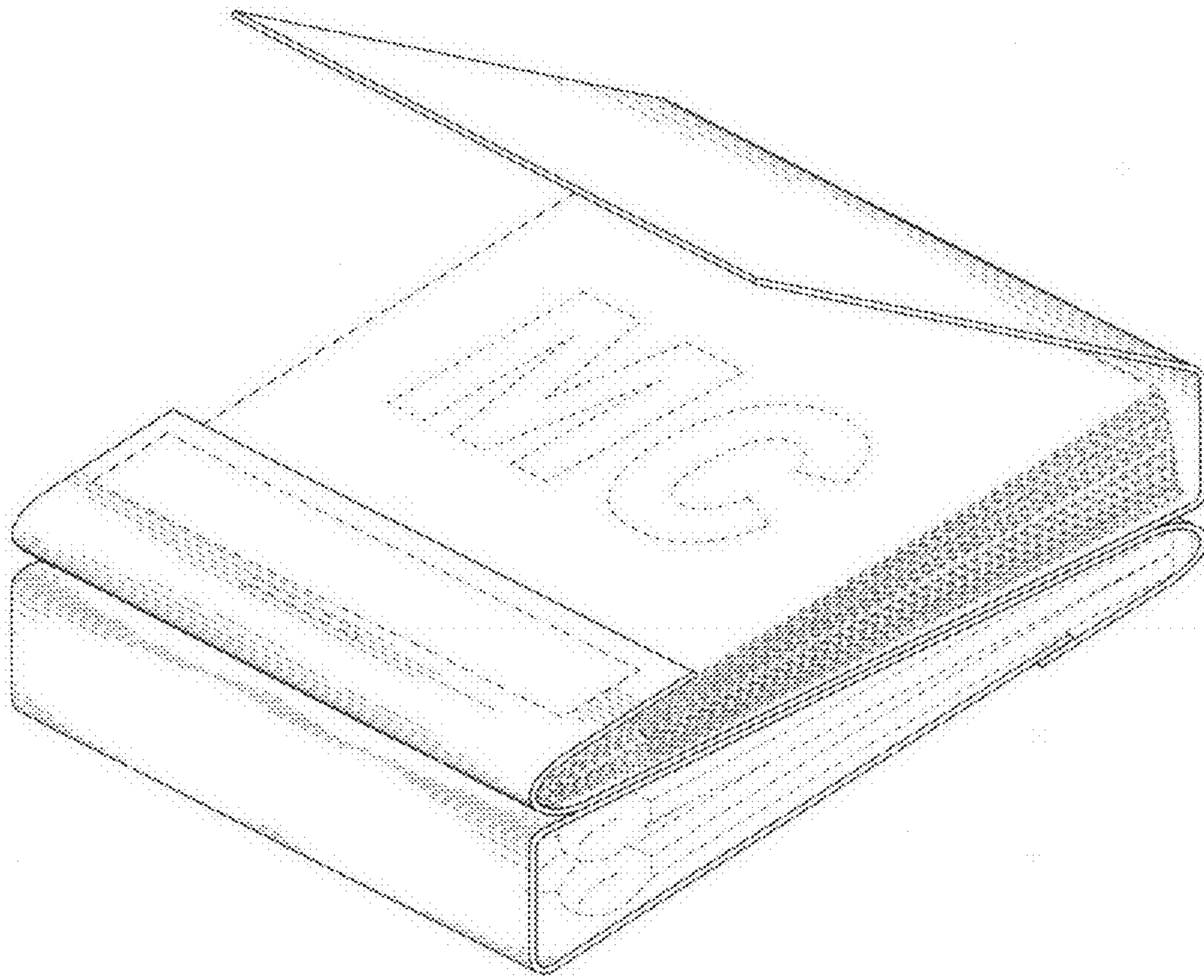


FIG. 2

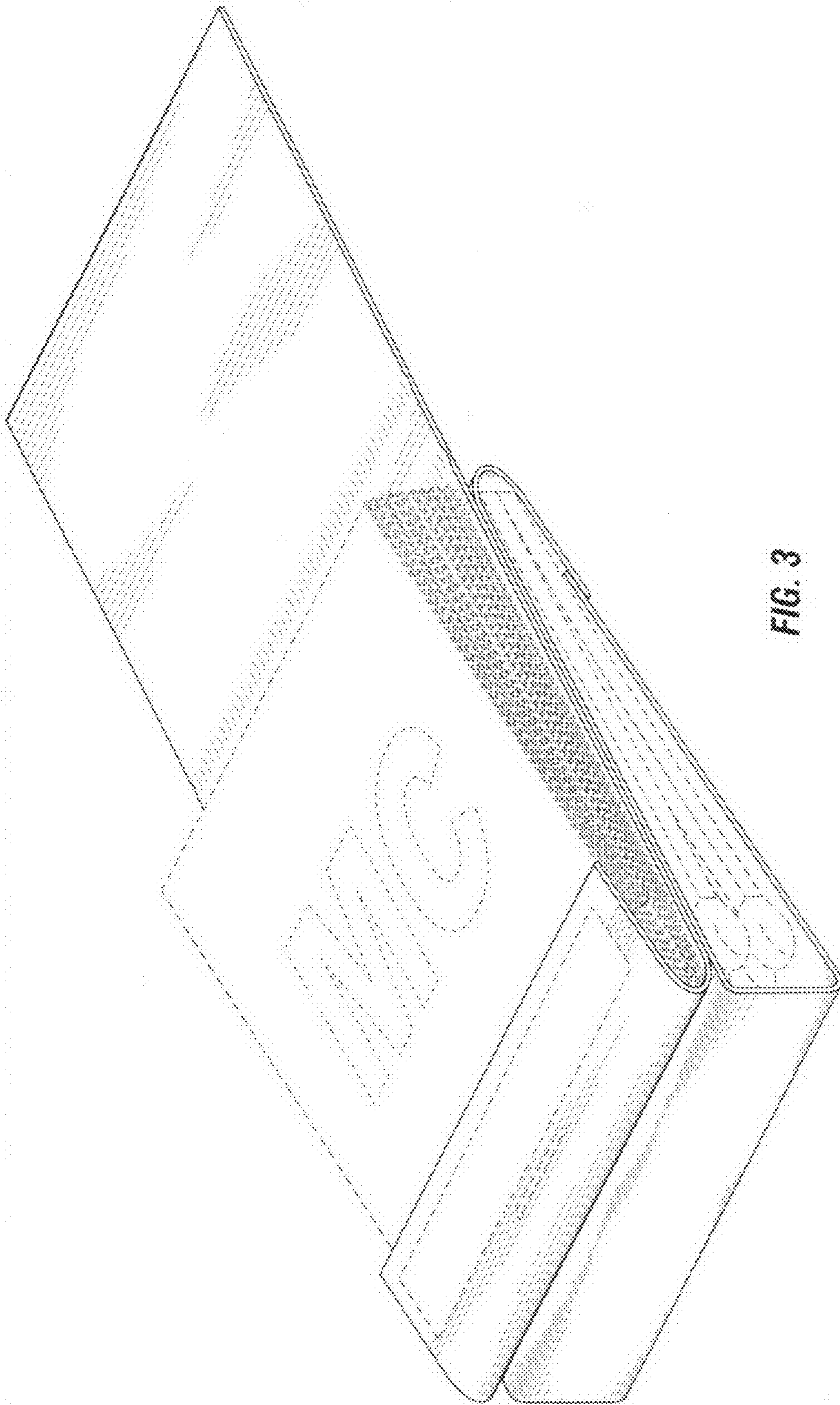


FIG. 3

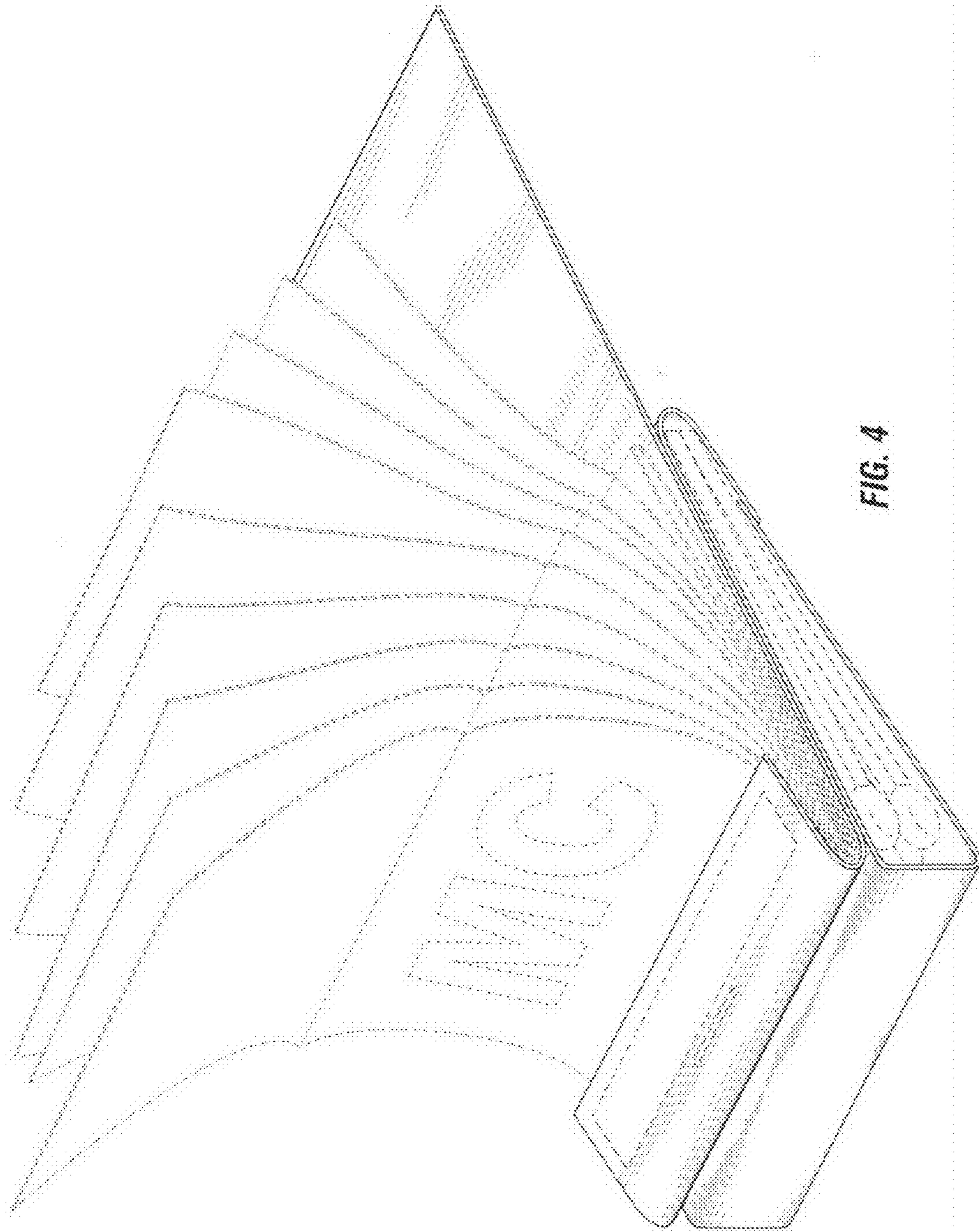


FIG. 4

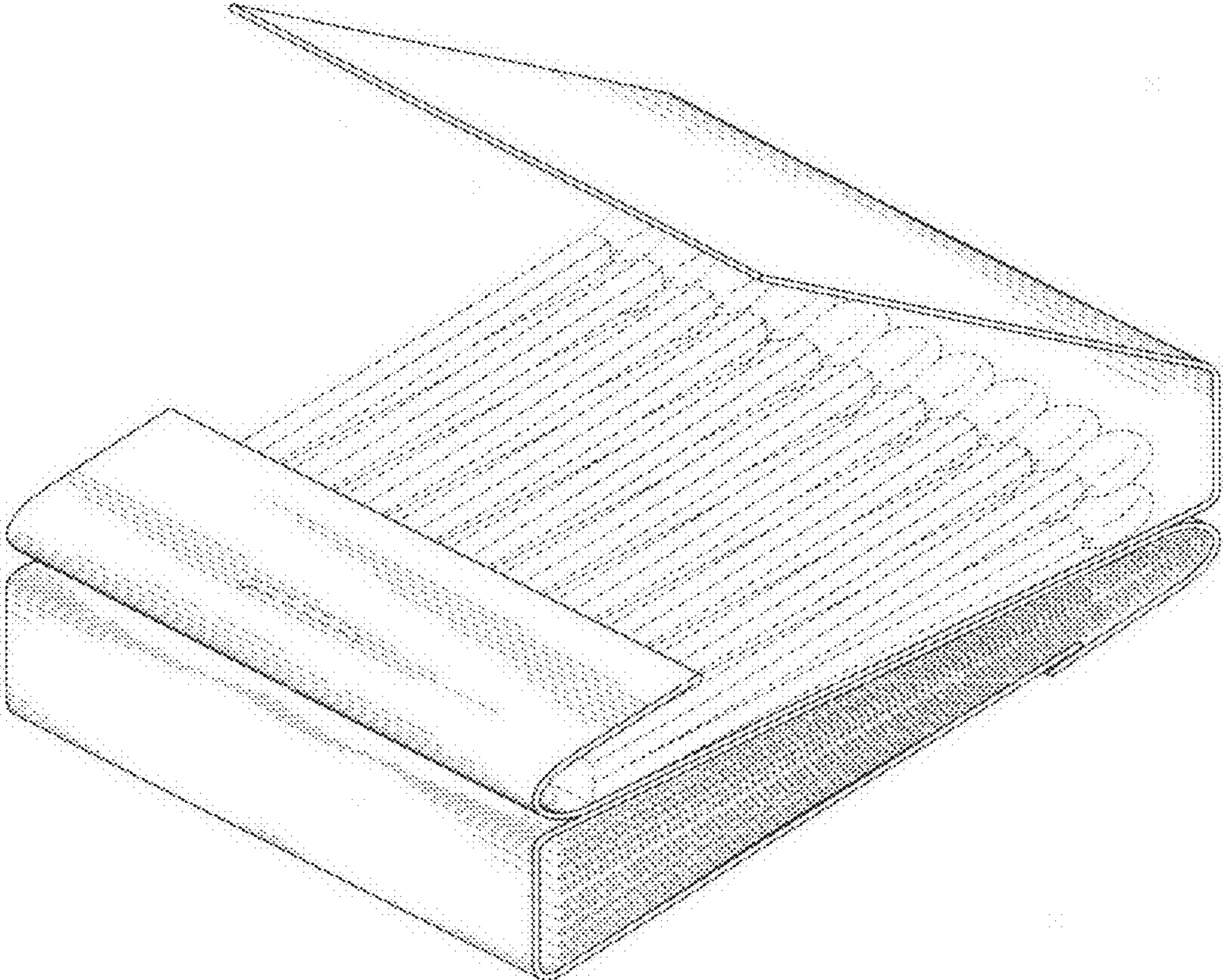


FIG. 5

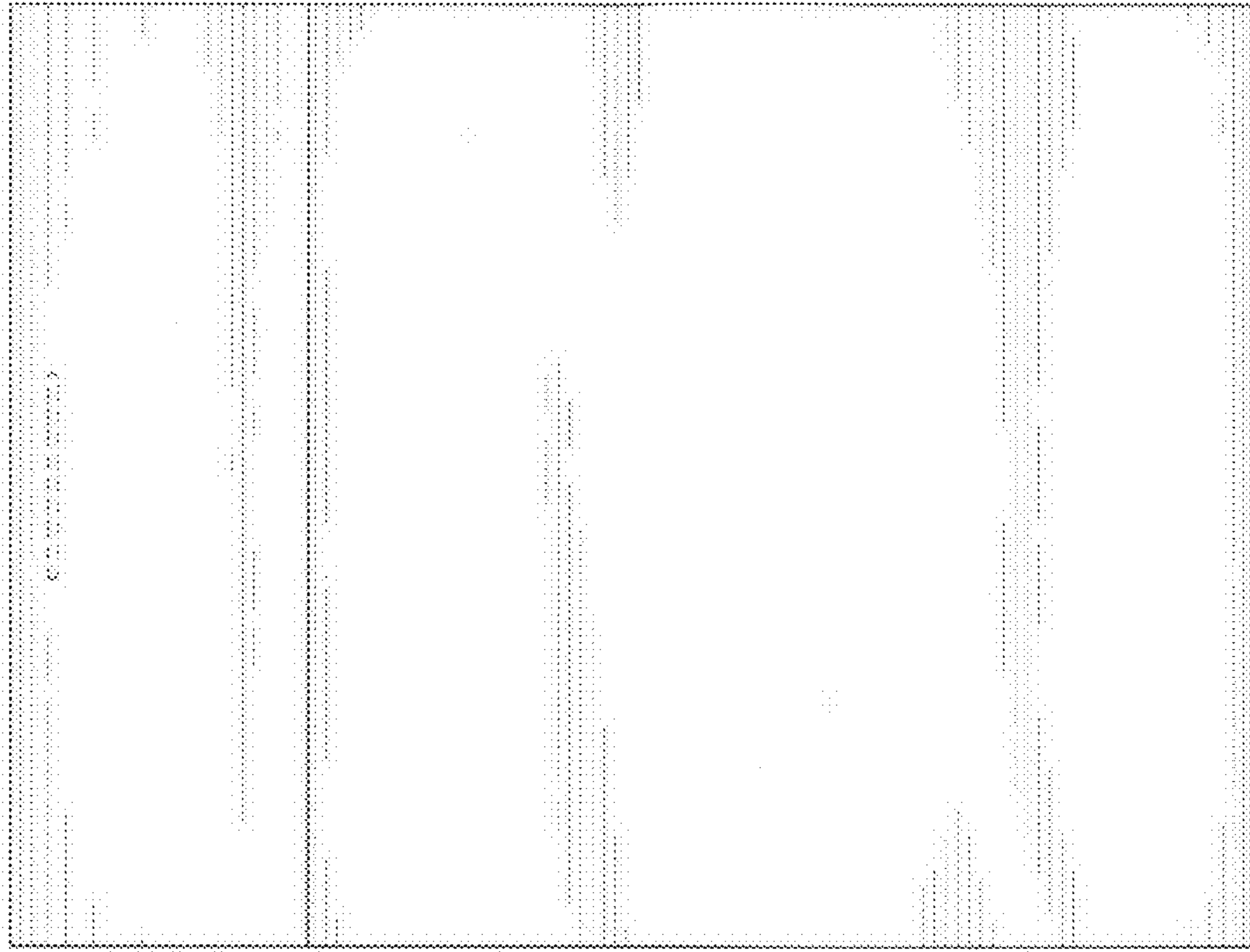


FIG. 7

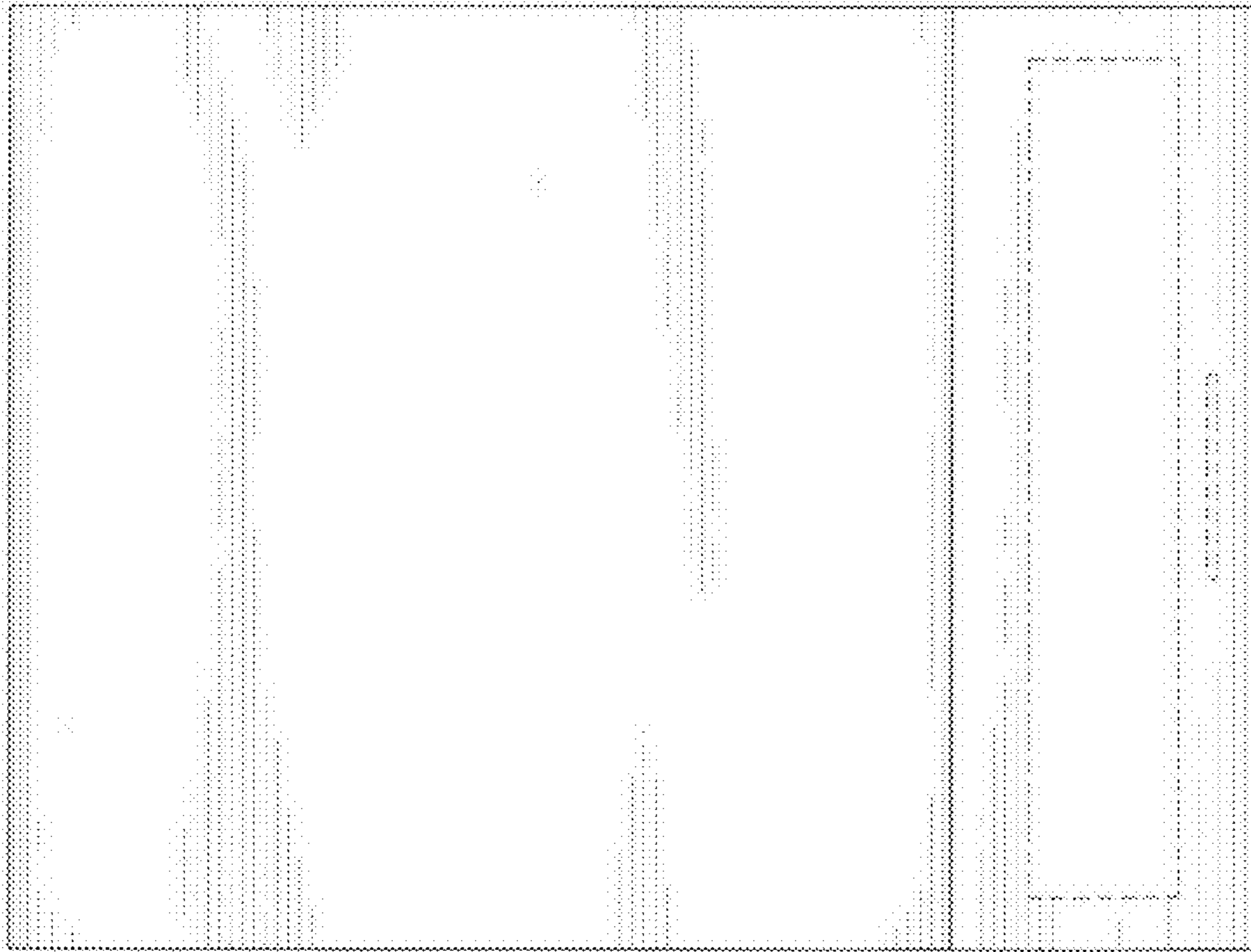


FIG. 6

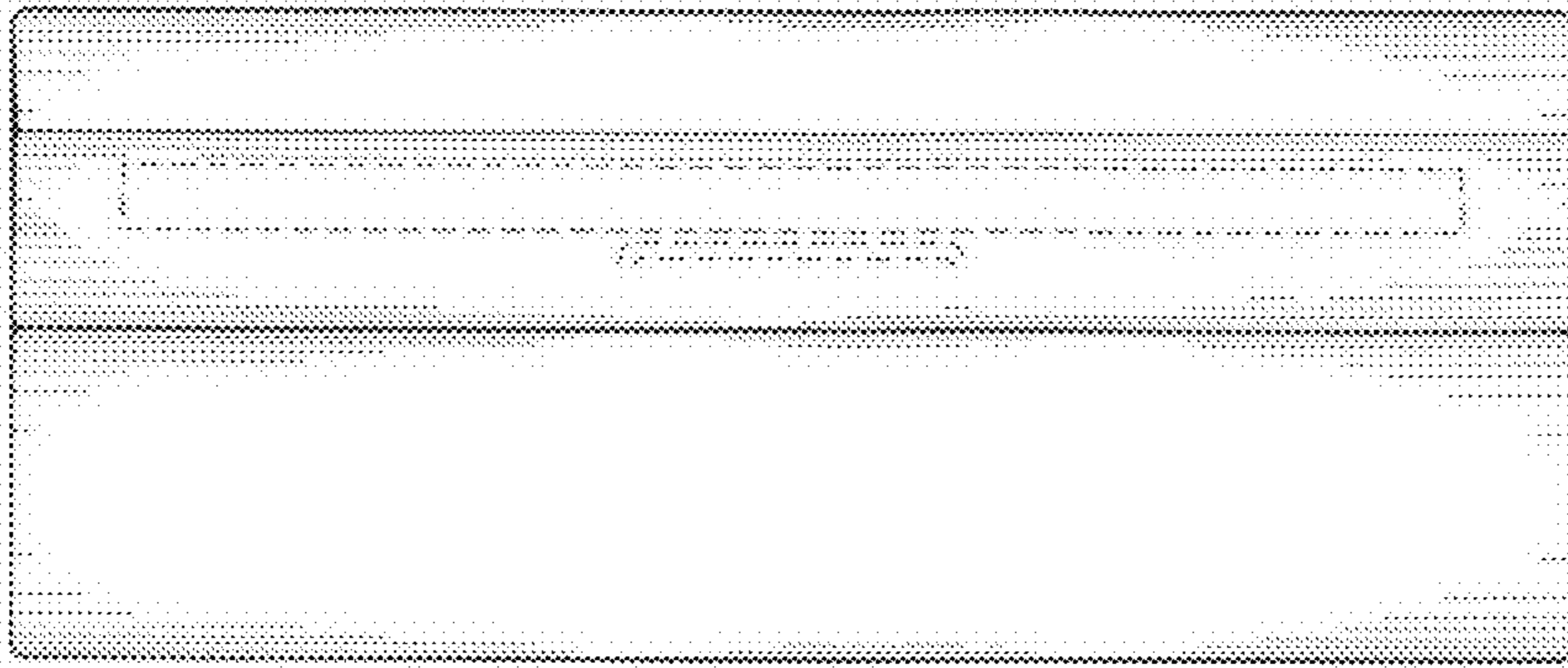


FIG. 8

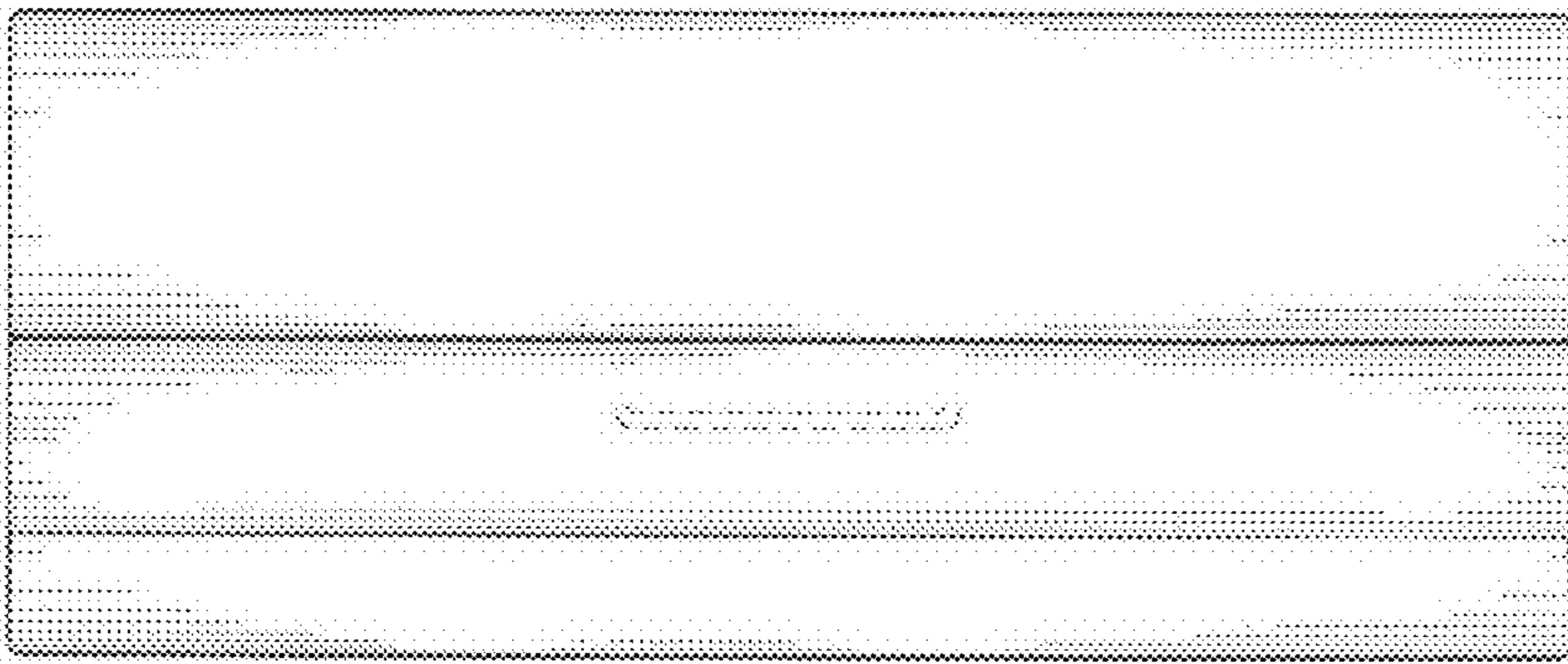


FIG. 9

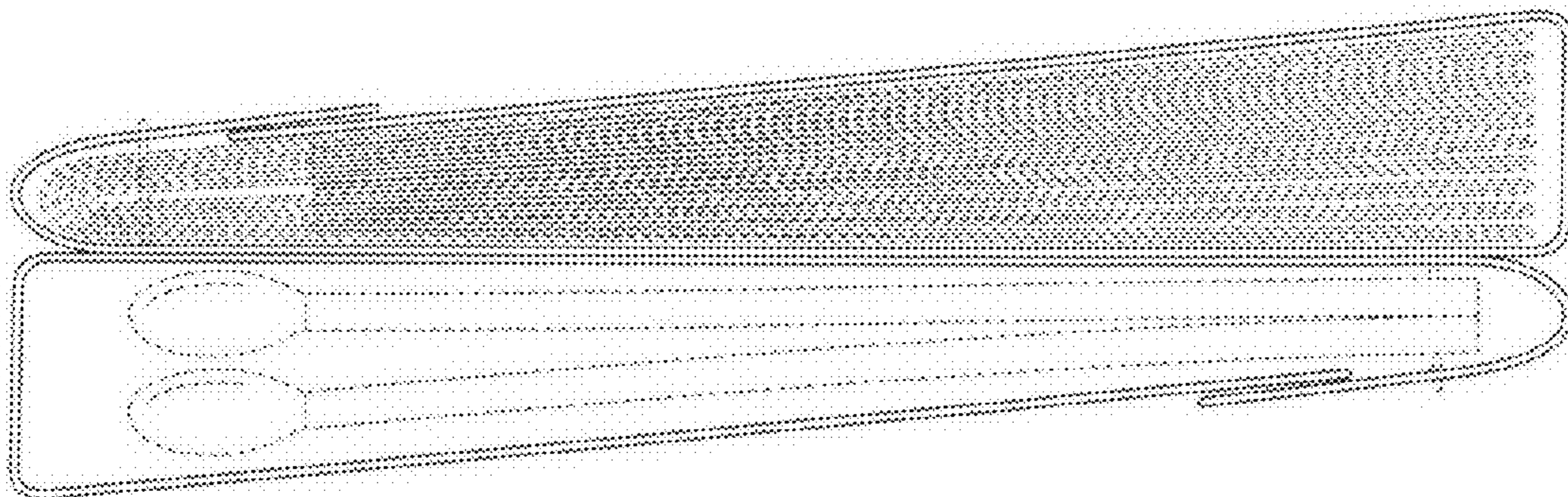


FIG. 10