



US00D697418S

(12) **United States Design Patent**
Maier

(10) **Patent No.:** **US D697,418 S**
(45) **Date of Patent:** **** Jan. 14, 2014**

(54) **PERFUME BOTTLE**

(75) Inventor: **Tomas Maier**, Delray Beach, FL (US)

(73) Assignee: **Bottega Veneta SA**, Cadempino (CH)

(**) Term: **14 Years**

(21) Appl. No.: **29/408,120**

(22) Filed: **Dec. 7, 2011**

(30) **Foreign Application Priority Data**

Jun. 17, 2011 (WO) DM/076 219

(51) **LOC (10) Cl.** **09-01**

(52) **U.S. Cl.**
USPC **D9/545; D9/505; D9/635; D9/670;**
D7/598

(58) **Field of Classification Search**
USPC D9/500, 502-505, 516, 537, 539-540,
D9/545, 549, 558, 682, 685-686, 688-692,
D9/763, 772-773, 434, 439, 454, 520, 551,
D9/554, 557, 600-601, 605, 635, 670,
D9/719; D7/598; 215/379, 382; 220/660,
220/669-673, 675

See application file for complete search history.

(56) **References Cited**

U.S. PATENT DOCUMENTS

D70,792 S * 8/1926 Guerin D9/505
2,498,074 A * 2/1950 Feldman 264/55
D167,181 S * 7/1952 Vuilleminot D9/601

D195,281 S * 5/1963 Guerlain D9/666
3,460,702 A * 8/1969 Andrews 215/247
D323,459 S * 1/1992 Cassini D9/670
D331,366 S * 12/1992 Cassini D9/670
D414,111 S * 9/1999 Herrmann D9/503
D416,800 S * 11/1999 Herrmann D9/500
D509,433 S * 9/2005 Trayser et al. D9/501
D515,929 S * 2/2006 Steih et al. D9/522
D515,930 S * 2/2006 Steih et al. D9/522
D601,424 S * 10/2009 Rica D9/500
D611,829 S * 3/2010 Van Der Straeten D9/545
D629,692 S * 12/2010 Lauret D9/500
D678,068 S * 3/2013 Huang D9/500
D682,697 S * 5/2013 Gonzalez Rodriguez D9/500

* cited by examiner

Primary Examiner — Ian Simmons

Assistant Examiner — Dana L Meyrow

(74) *Attorney, Agent, or Firm* — Lucas & Mercanti, LLP

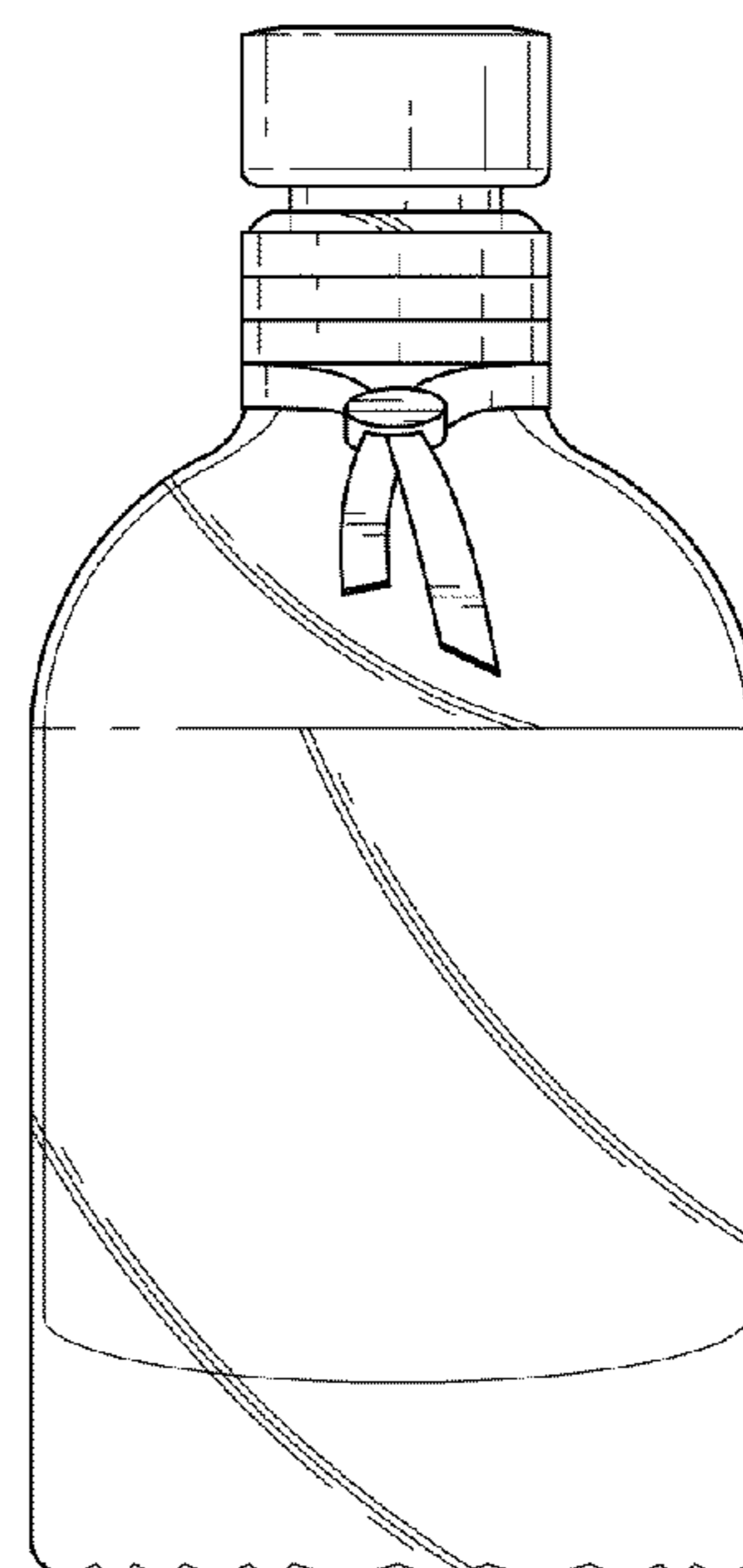
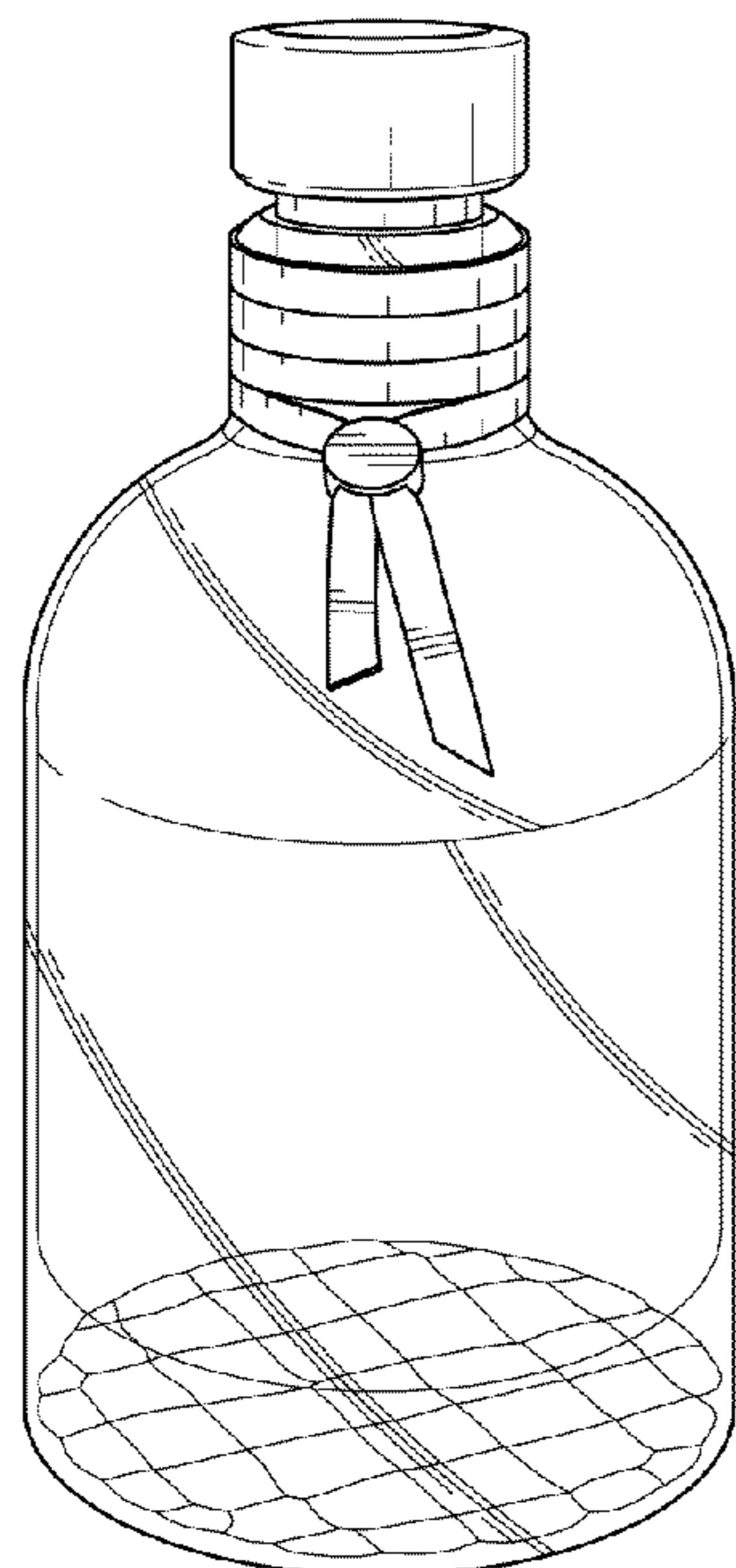
(57) **CLAIM**

The ornamental design for a perfume bottle, as shown and described.

DESCRIPTION

FIG. 1 is a top, front perspective view of a perfume bottle showing my new design;
FIG. 2 is a front elevation view thereof;
FIG. 3 is a right side elevation view thereof;
FIG. 4 is a left side elevation view thereof;
FIG. 5 is a rear elevation view thereof;
FIG. 6 is a top plan view thereof; and,
FIG. 7 is a bottom plan view thereof.

1 Claim, 2 Drawing Sheets



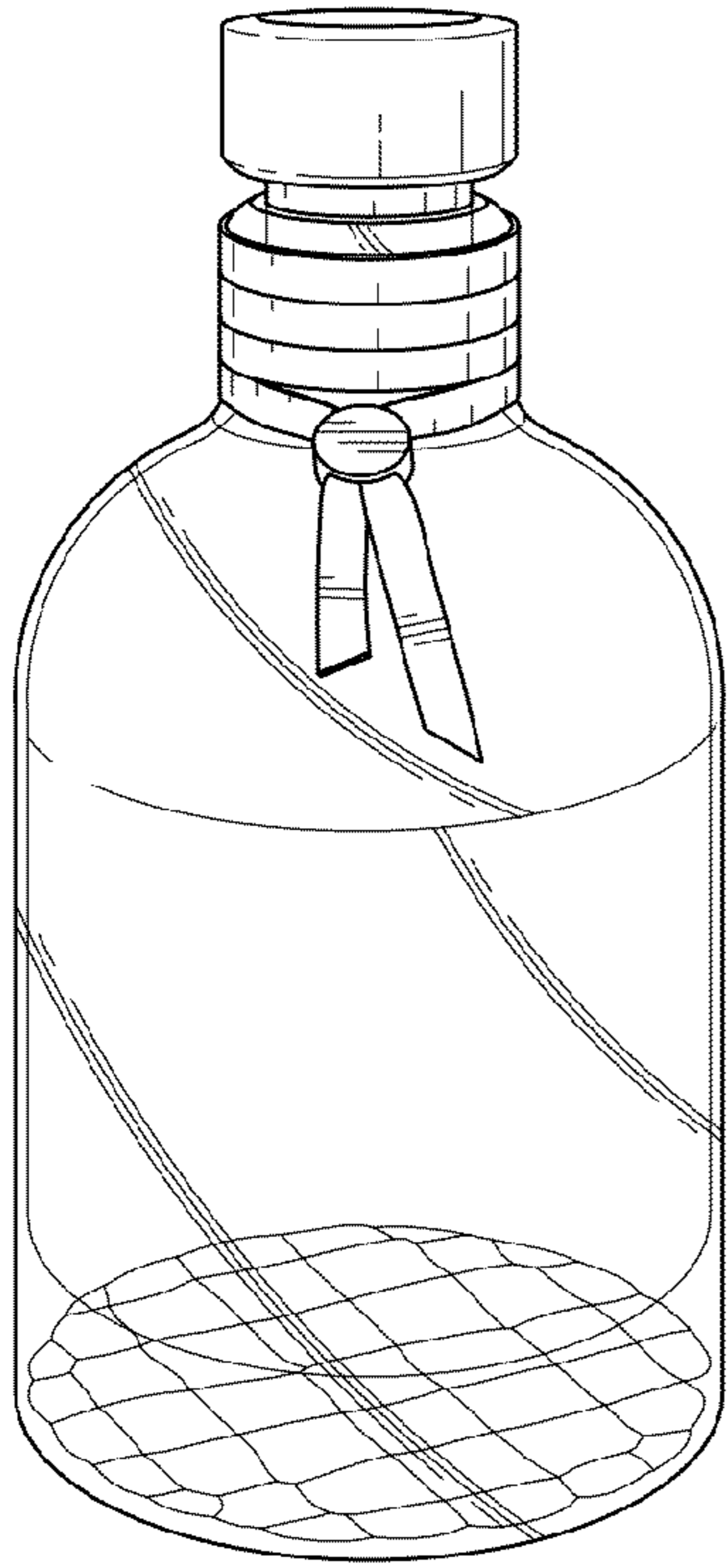


FIG. 1

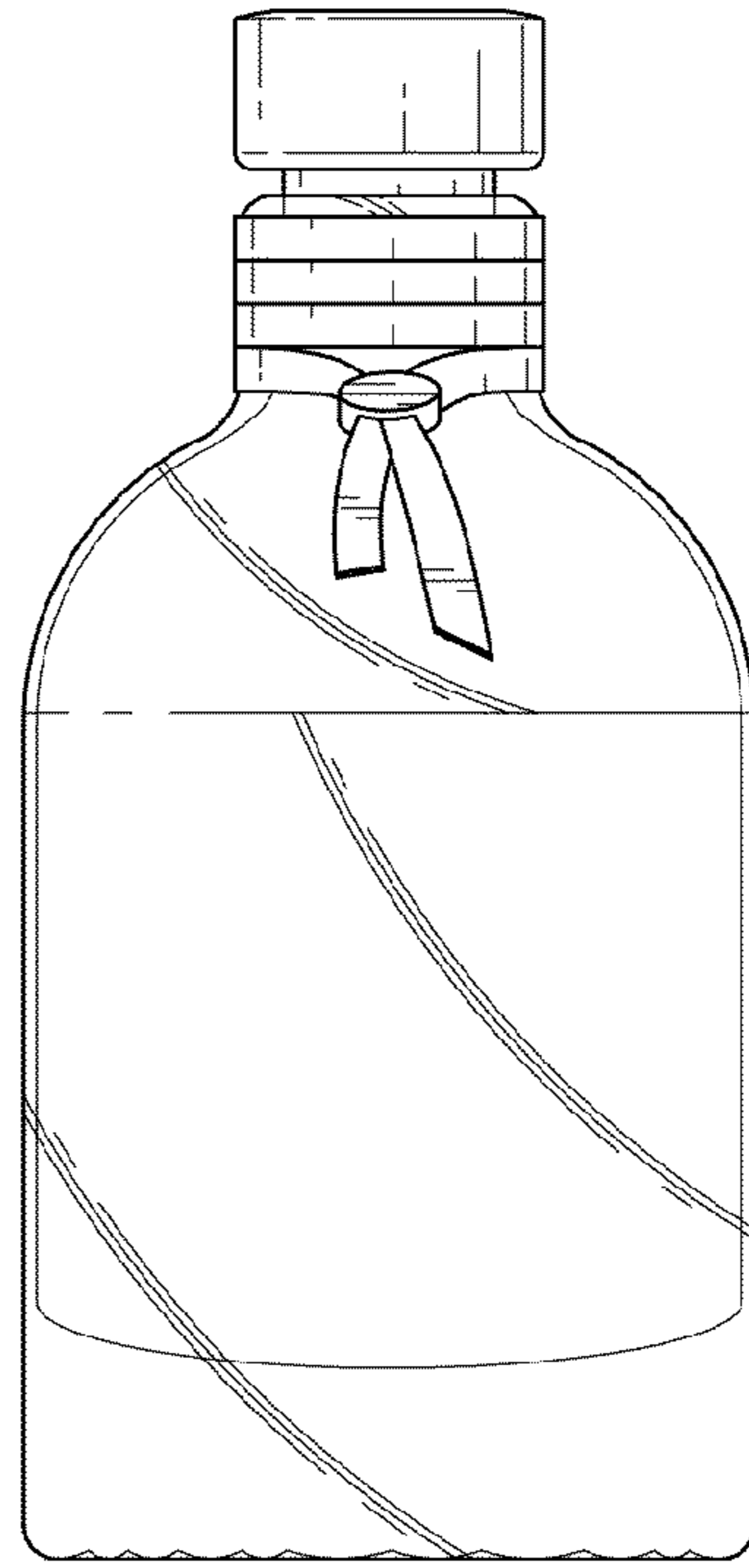


FIG. 2

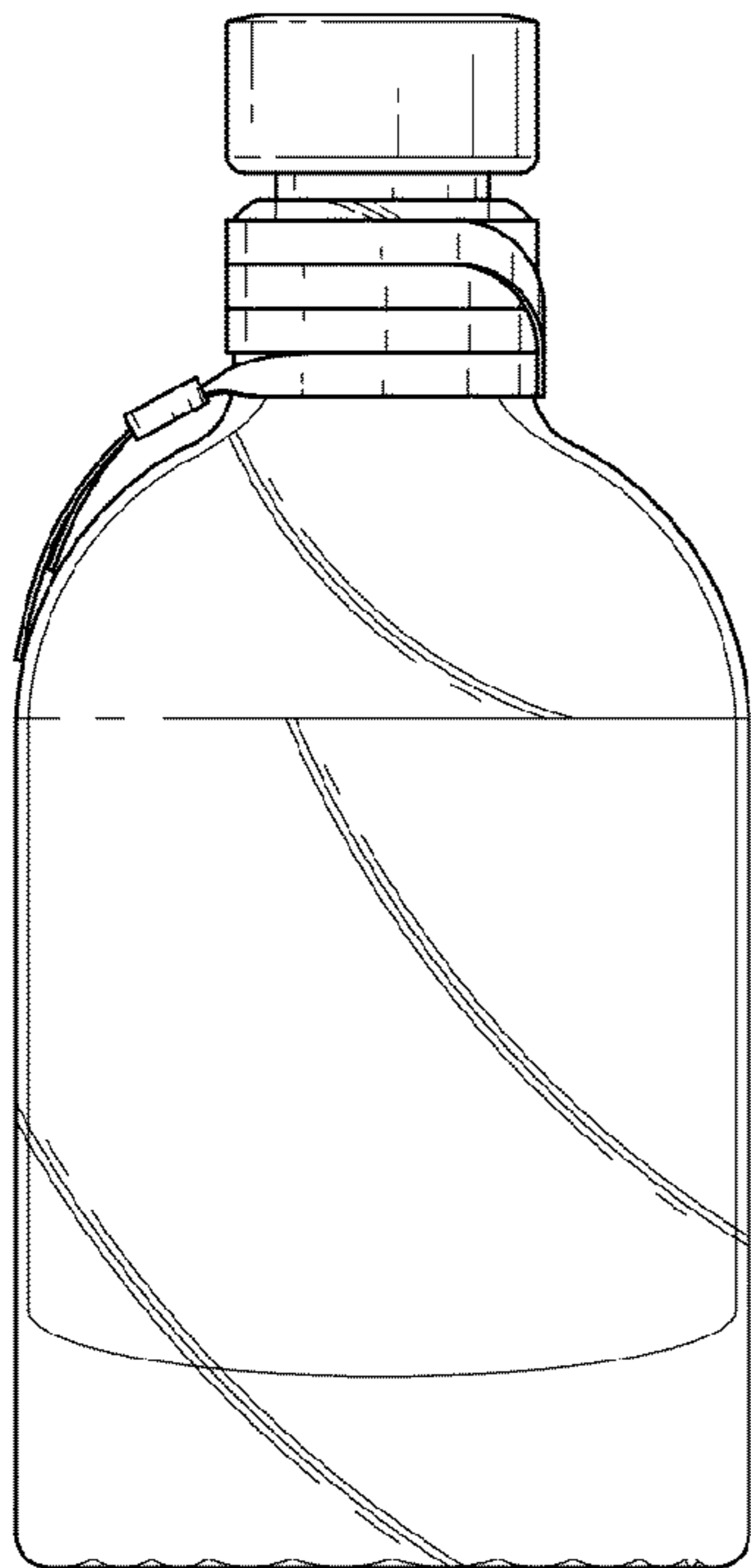


FIG. 3

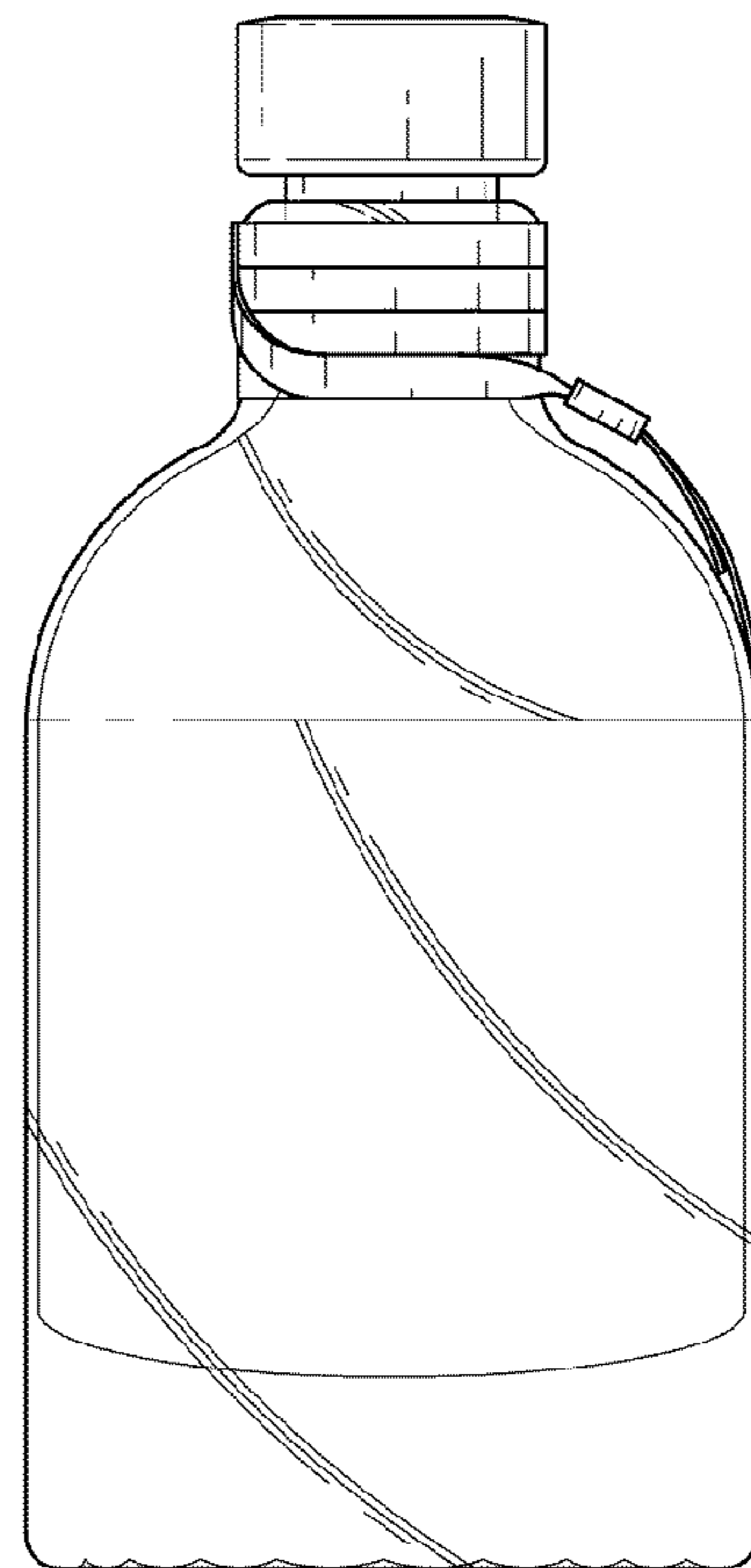


FIG. 4

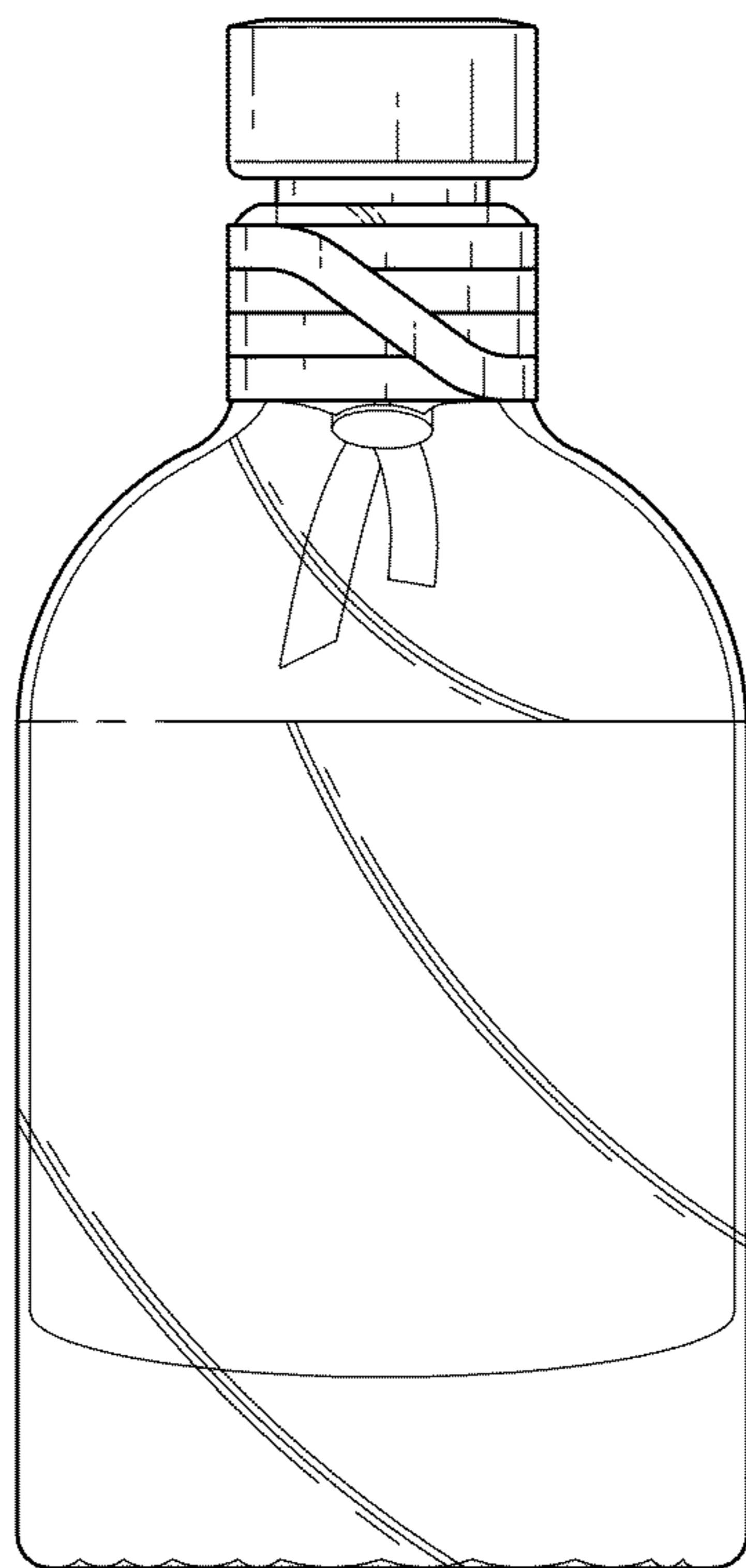


FIG. 5

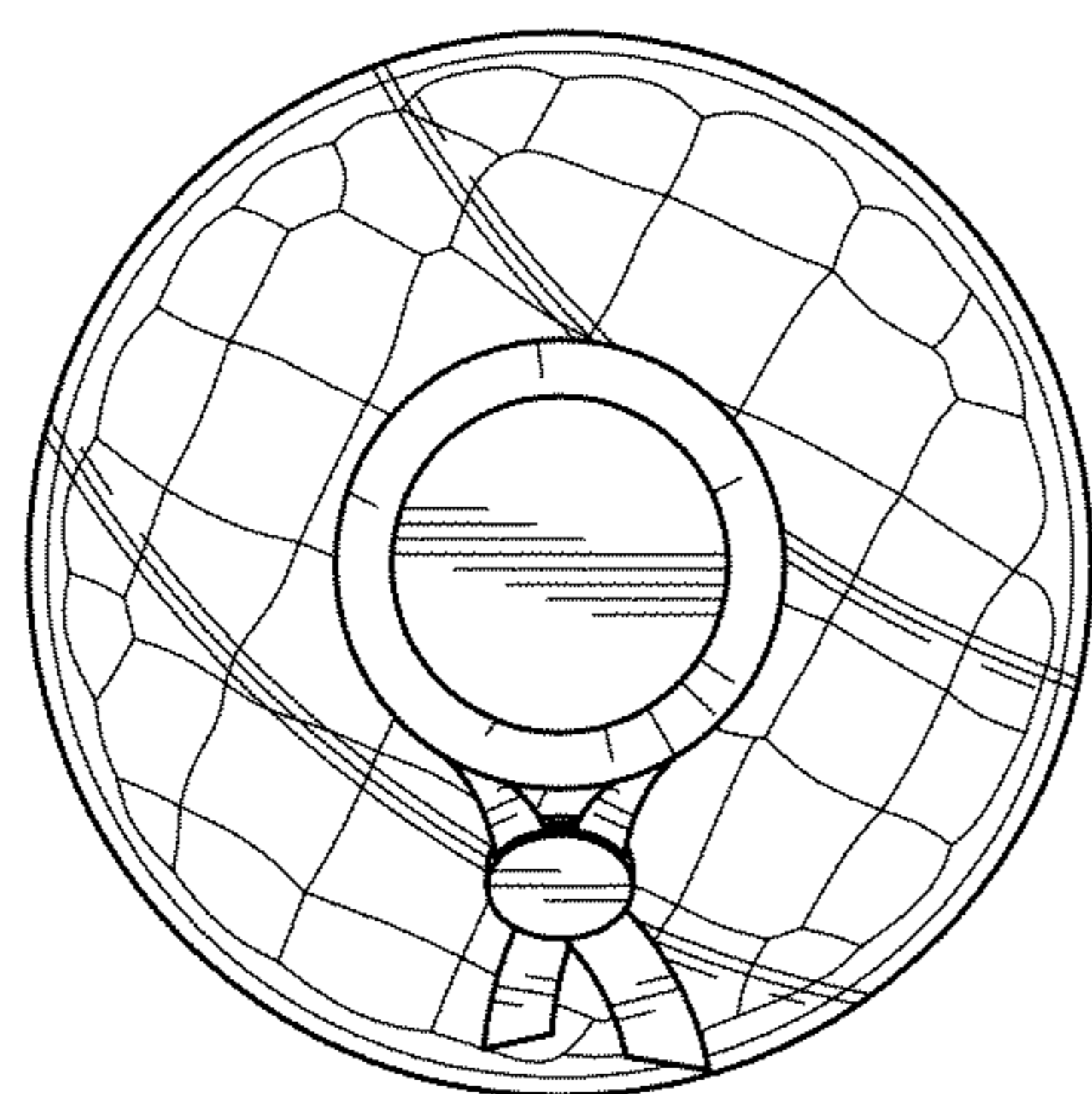


FIG. 6

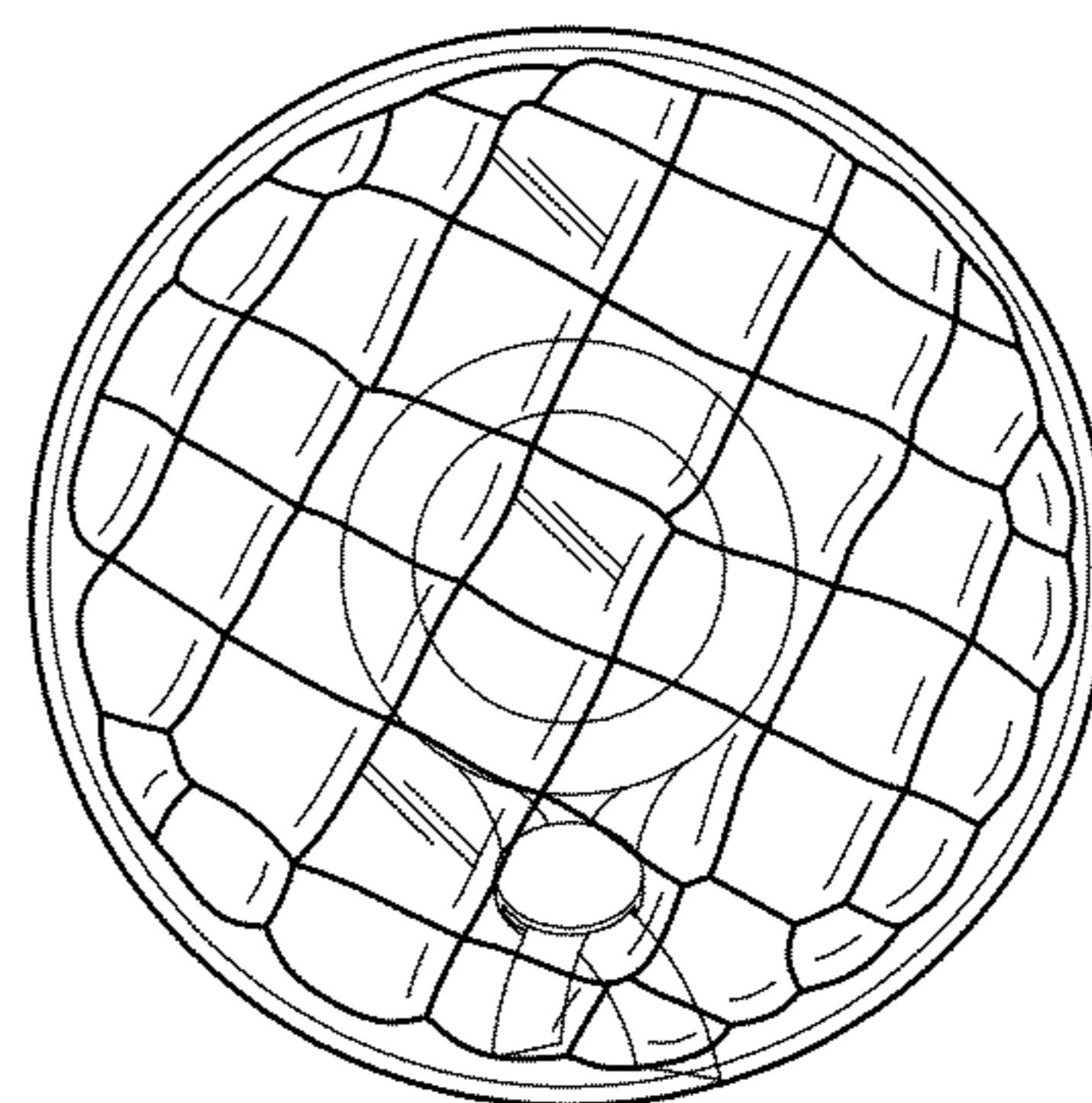


FIG. 7