



US00D697416S

(12) **United States Design Patent**  
**Thompson**

(10) **Patent No.:** **US D697,416 S**

(45) **Date of Patent:** **\*\* Jan. 14, 2014**

(54) **BOTTLE**

(75) Inventor: **Douglas Thompson**, Fort Lee, NJ (US)

(73) Assignee: **Piramal Glass—USA, Inc.**

(\*\*) Term: **14 Years**

(21) Appl. No.: **29/410,902**

(22) Filed: **Jan. 13, 2012**

(51) **LOC (10) Cl.** ..... **09-01**

(52) **U.S. Cl.**  
USPC ..... **D9/544; D9/560; D9/571**

(58) **Field of Classification Search**  
USPC ..... D9/544, 500, 503–505, 516, 520, 529,  
D9/546, 556–560, 573–575, 682, 686, 689,  
D9/691, 571; 215/379, 382–838; 220/660,  
220/662, 669, 675  
See application file for complete search history.

(56) **References Cited**

**U.S. PATENT DOCUMENTS**

D190,573 S *	6/1961	Mann	.....	D9/544
D545,205 S *	6/2007	Rica	.....	D9/544
D545,213 S *	6/2007	Werner	.....	D9/544
D550,080 S	9/2007	Rica		
D555,488 S	11/2007	Marton		
D580,771 S *	11/2008	Rica	.....	D9/544

D581,800 S *	12/2008	Rica	.....	D9/544
D586,659 S *	2/2009	Delbon	.....	D9/544
D591,597 S	5/2009	Rica		
D612,246 S	3/2010	Fei		
D622,601 S *	8/2010	Potts	.....	D9/544
D655,177 S *	3/2012	Gonzalez Rodriguez	.....	D9/544
D660,169 S *	5/2012	Potts	.....	D9/544

\* cited by examiner

*Primary Examiner* — Wan Laymon

(74) *Attorney, Agent, or Firm* — The Belles Group, P.C.

(57) **CLAIM**

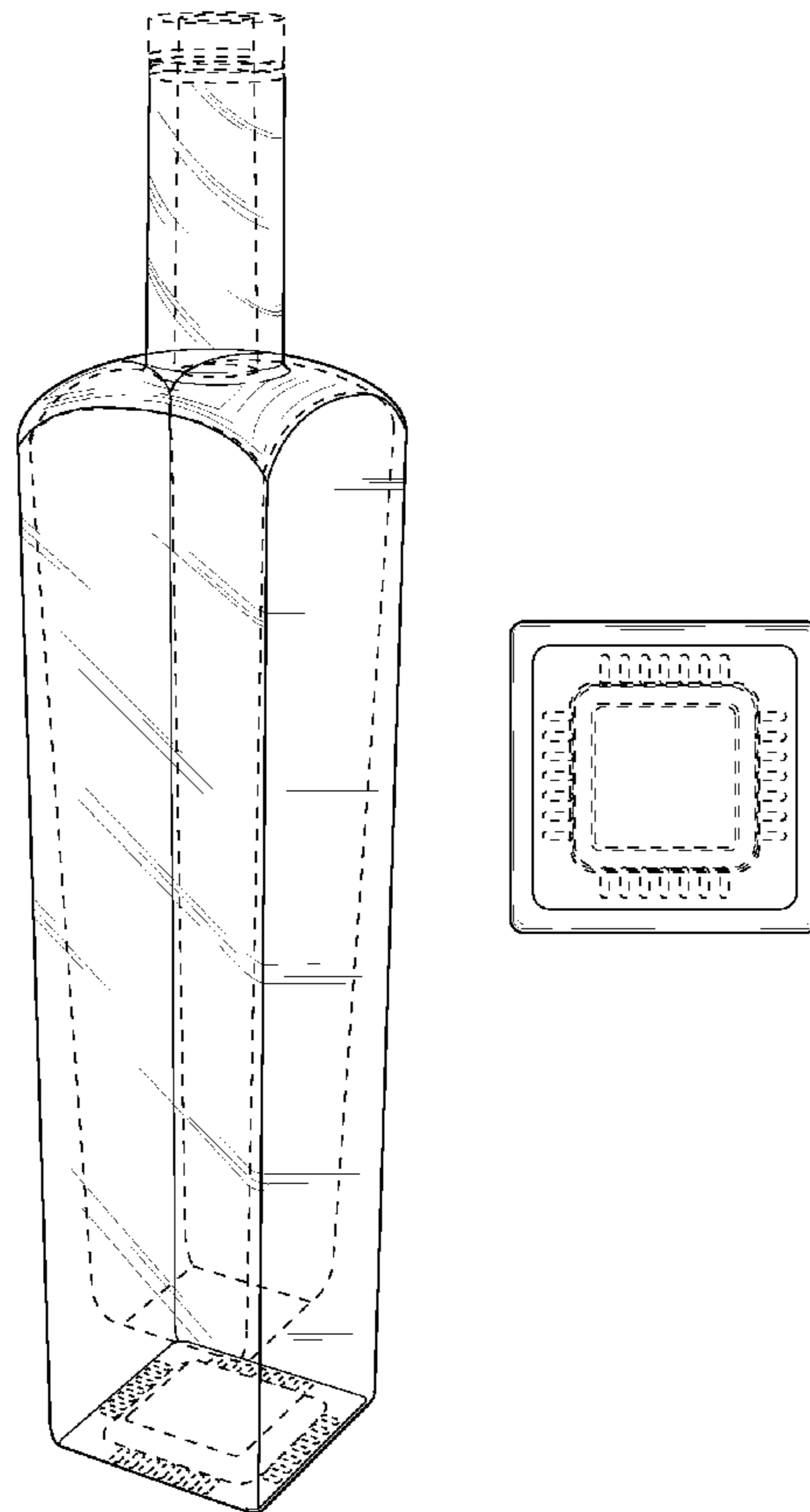
The ornamental design for a bottle, as shown and described.

**DESCRIPTION**

FIG. 1 is a perspective view of a bottle showing my new design;  
FIG. 2 is a first side elevation view thereof;  
FIG. 3 is a second side elevation view thereof;  
FIG. 4 is a top elevation view thereof, with the opposing side details seen through the transparent surface not being shown for ease of illustration; and,  
FIG. 5 is a bottom elevation view thereof, with the opposing side details seen through the transparent surface not being shown for ease of illustration.

The broken lines shown in the drawings are included for purposes of illustration only and form no part of the claimed design.

**1 Claim, 3 Drawing Sheets**



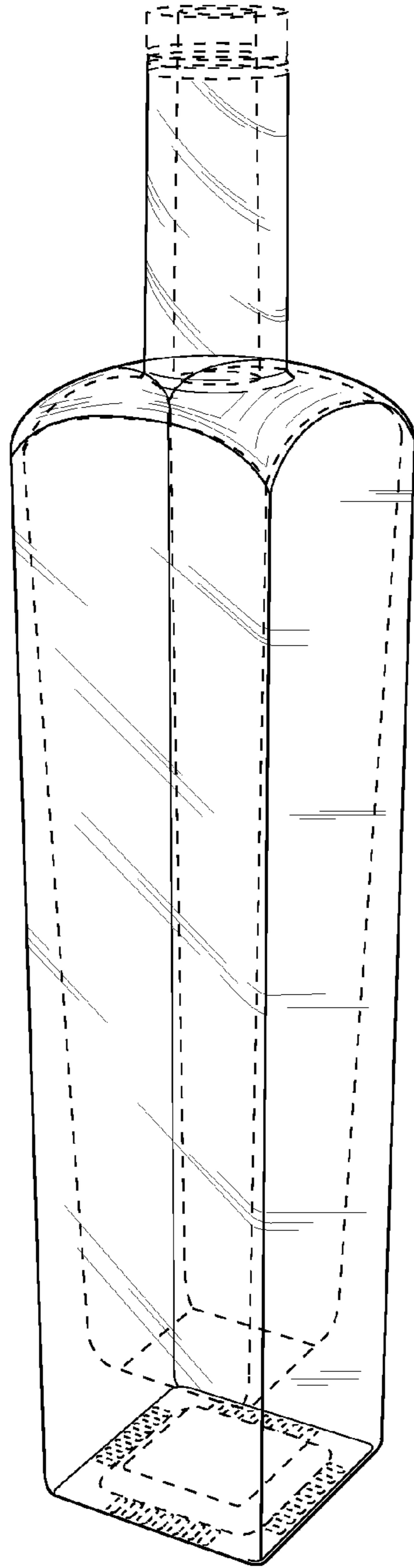


FIG. 1

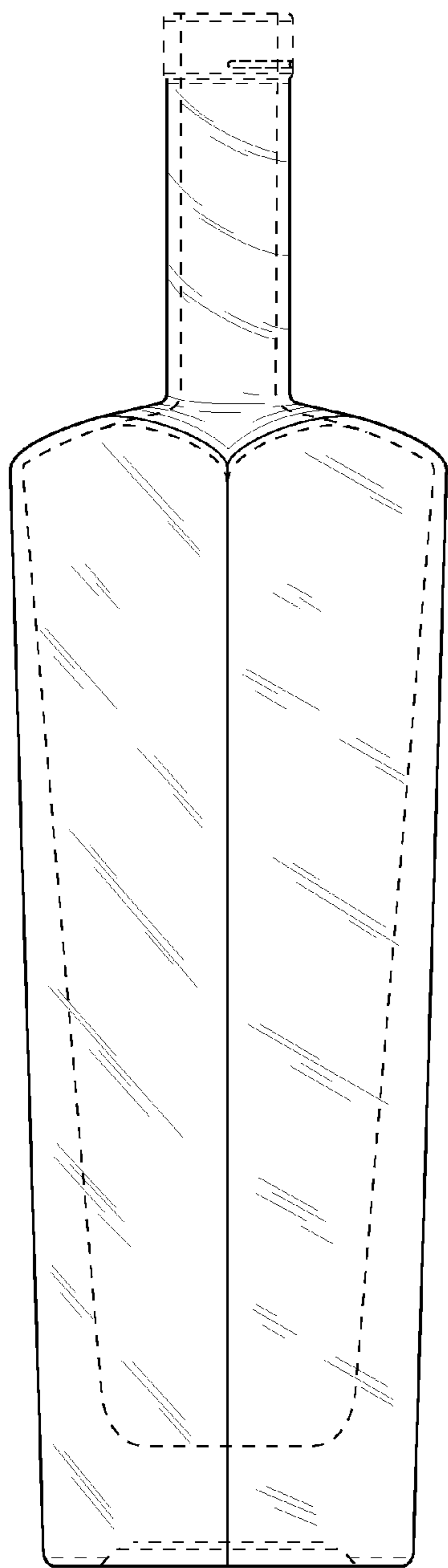


FIG. 2

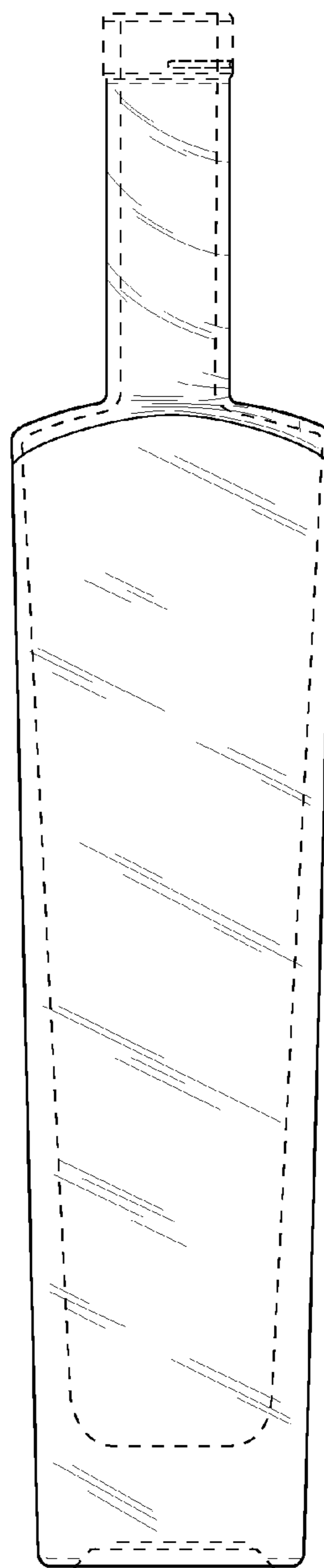


FIG. 3

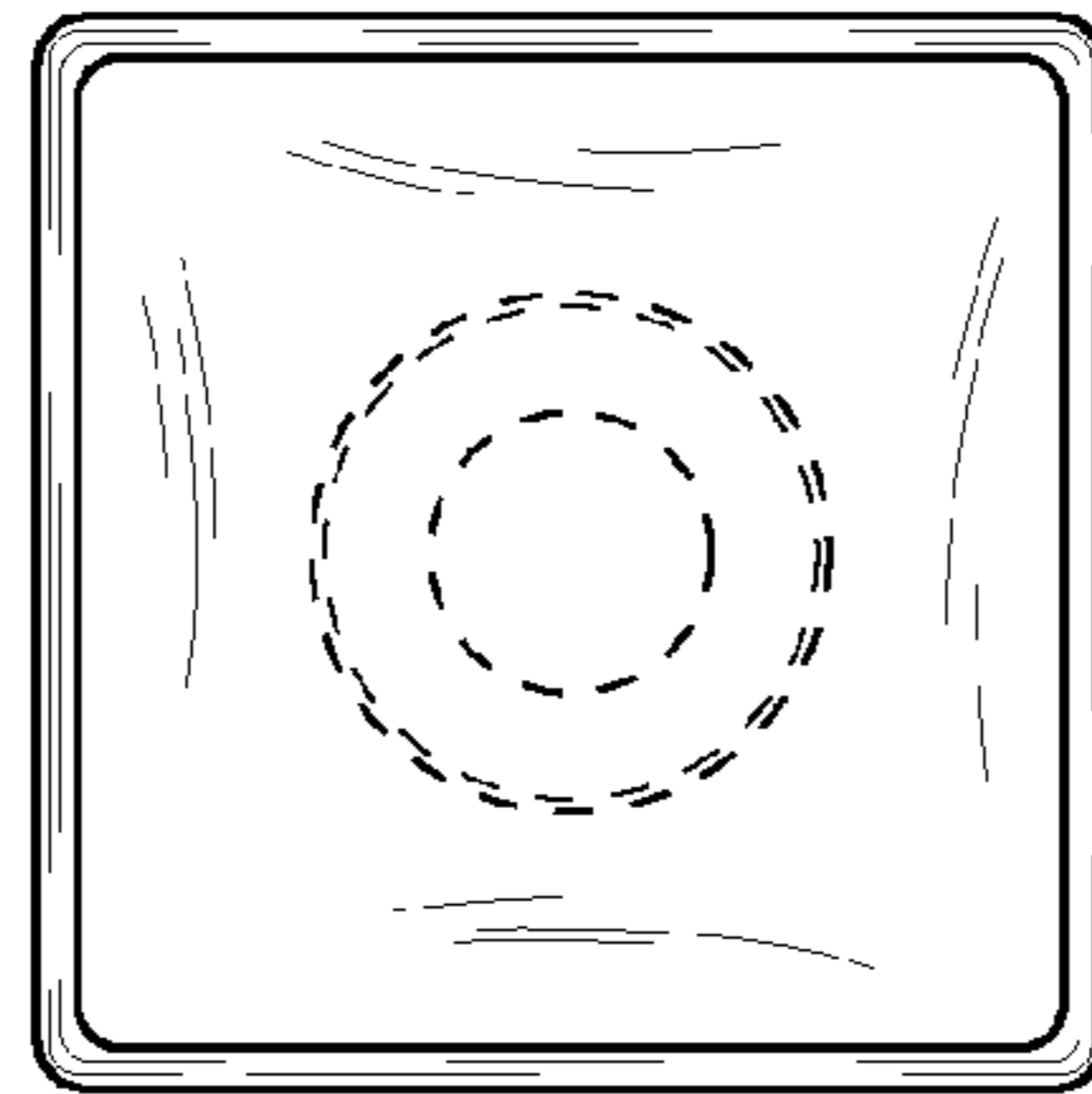


FIG. 4

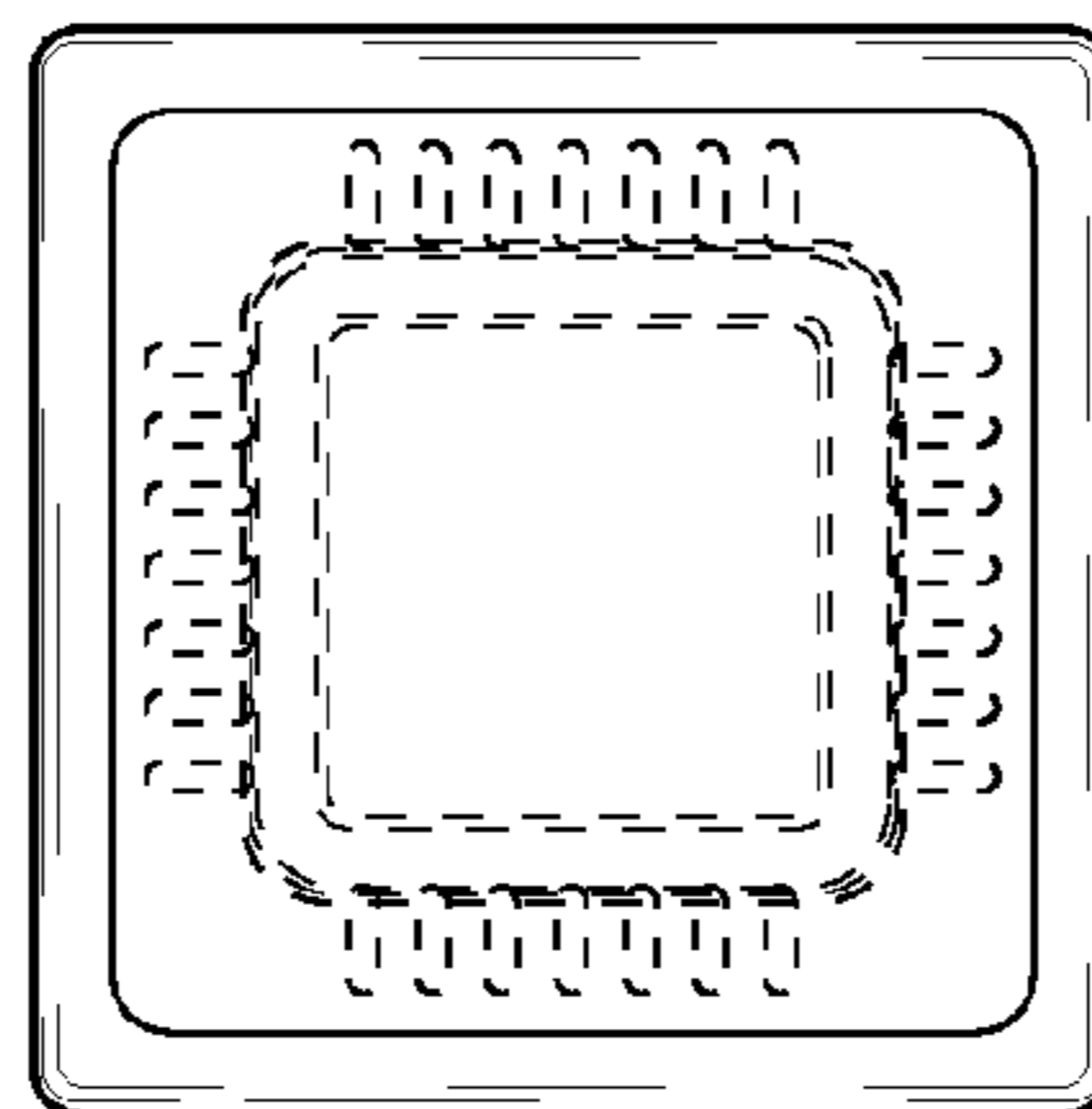


FIG. 5