



US00D697412S

(12) **United States Design Patent**
Jenkins

(10) **Patent No.:** **US D697,412 S**
(45) **Date of Patent:** **** Jan. 14, 2014**

(54) **BOTTLE**

(75) Inventor: **Diana Jenkins**, Santa Monica, CA (US)

(73) Assignee: **Neurobrands, LLC**, Santa Monica, CA (US)

(**) Term: **14 Years**

(21) Appl. No.: **29/400,604**

(22) Filed: **Aug. 30, 2011**

(51) **LOC (10) Cl.** **09-01**

(52) **U.S. Cl.**

USPC **D9/529**; D9/538; D9/540; D9/557;
D9/445; D9/454; D9/502; D9/504

(58) **Field of Classification Search**

USPC D9/500, 502–505, 516, 520, 529,
D9/537–540, 549, 556–558, 435, 444–445,
D9/454; 215/381–385; D7/509–511
See application file for complete search history.

D516,428 S *	3/2006	Bezek et al.	D9/529 X
D518,727 S *	4/2006	Haley et al.	D9/504
D543,847 S *	6/2007	Yelland	D9/538 X
D544,352 S *	6/2007	Dittmer et al.	D9/504
D546,184 S *	7/2007	Yelland	D9/538 X
D548,084 S *	8/2007	Dittmer et al.	D9/504
D572,135 S *	7/2008	Lepoitevin	D9/520 X
D584,947 S *	1/2009	Bourne	D9/539 X
D621,710 S *	8/2010	Cueto	D9/539 X
D624,412 S *	9/2010	Jenkins	D9/454 X
D639,114 S *	6/2011	Swinford et al.	D7/510 X
D660,712 S *	5/2012	Jenkins	D9/539
D663,208 S *	7/2012	Jenkins	D9/529 X
D664,038 S *	7/2012	Jenkins	D9/549 X

* cited by examiner

Primary Examiner — Carol P Rademaker

(74) *Attorney, Agent, or Firm* — Steve Hassid; Silicon Edge Law Group, LLP

(57) **CLAIM**

The ornamental design for a bottle, as shown and described.

(56) **References Cited**

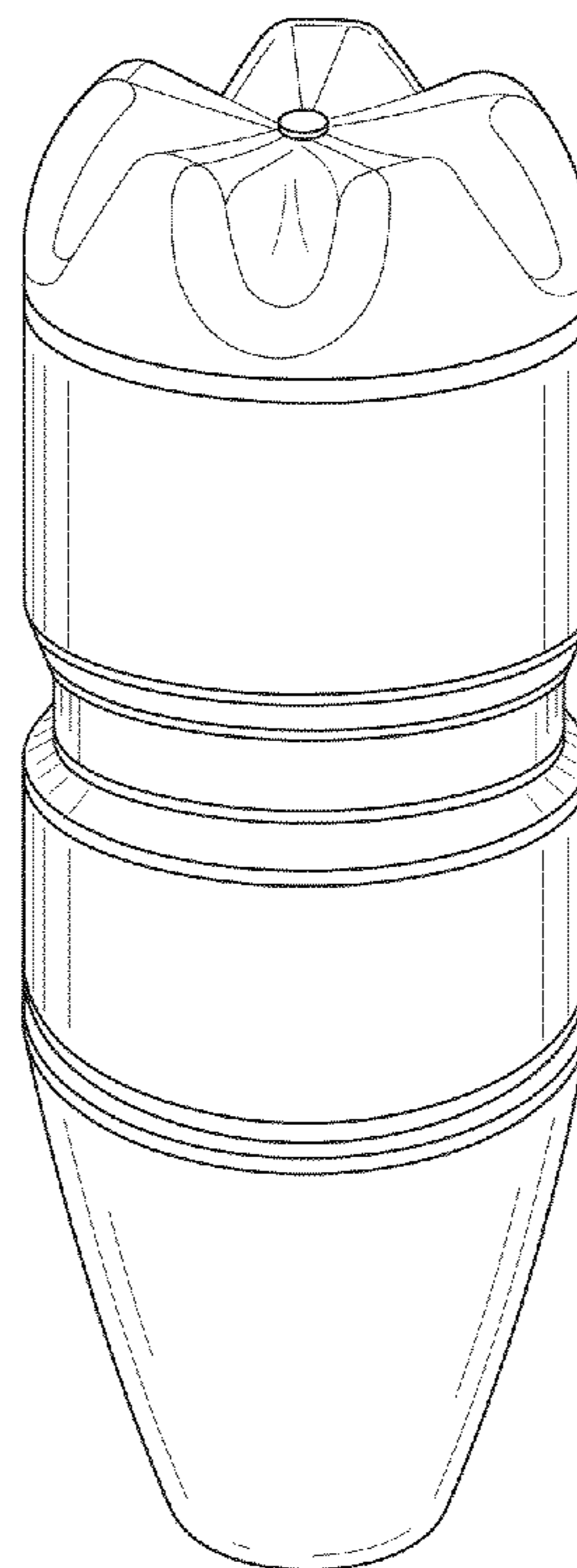
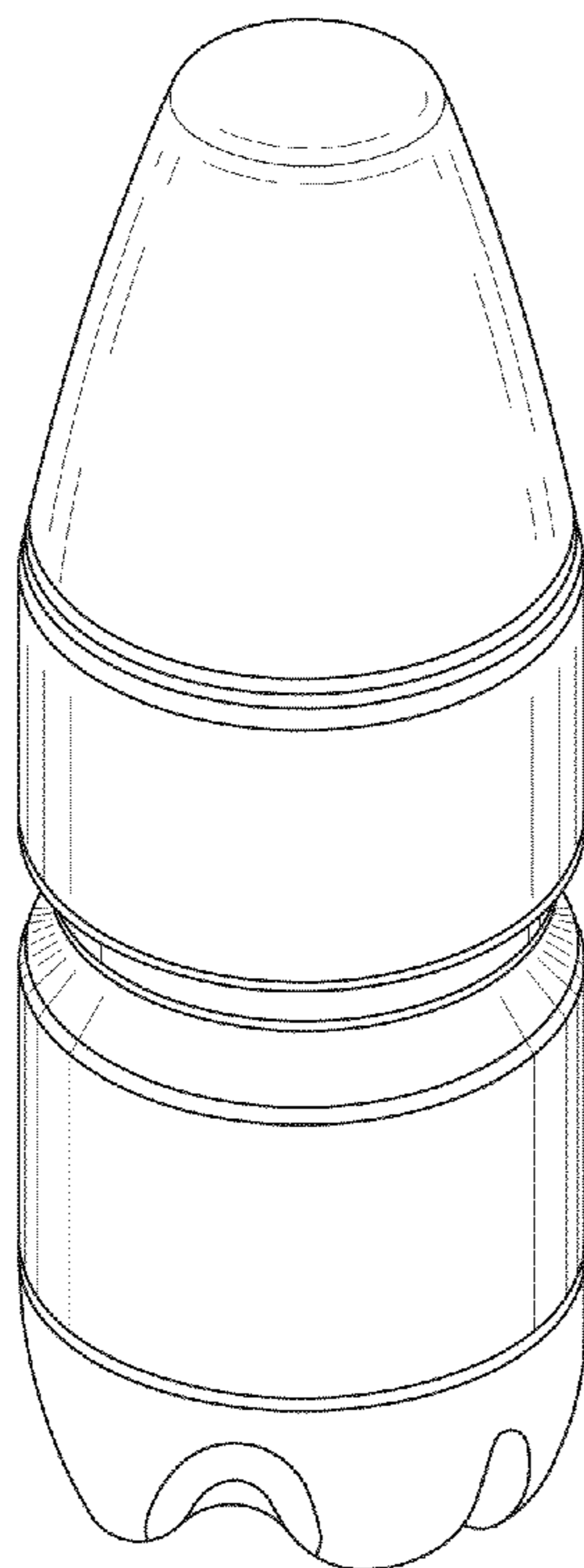
U.S. PATENT DOCUMENTS

D415,428 S *	10/1999	Keller et al.	D9/538 X
D447,057 S *	8/2001	Bezek et al.	D9/549 X
D447,418 S *	9/2001	Bezek et al.	D9/558 X
6,296,471 B1 *	10/2001	Cheng et al.	425/522
D452,437 S *	12/2001	Bezek et al.	D9/502
D452,439 S *	12/2001	Bezek et al.	D9/503 X
D452,440 S *	12/2001	Bezek et al.	D9/502
D474,341 S *	5/2003	Cantone et al.	D9/504 X
D512,313 S *	12/2005	Liu	D9/502

DESCRIPTION

FIG. 1 is a top, front, right side perspective view of a bottle showing my new design;
FIG. 2 is a bottom, front, right side perspective view thereof;
FIG. 3 is a rear elevational view thereof;
FIG. 4 is a left side elevational view thereof;
FIG. 5 is a right side elevational view thereof; and,
FIG. 6 is a top plan view thereof.

1 Claim, 3 Drawing Sheets



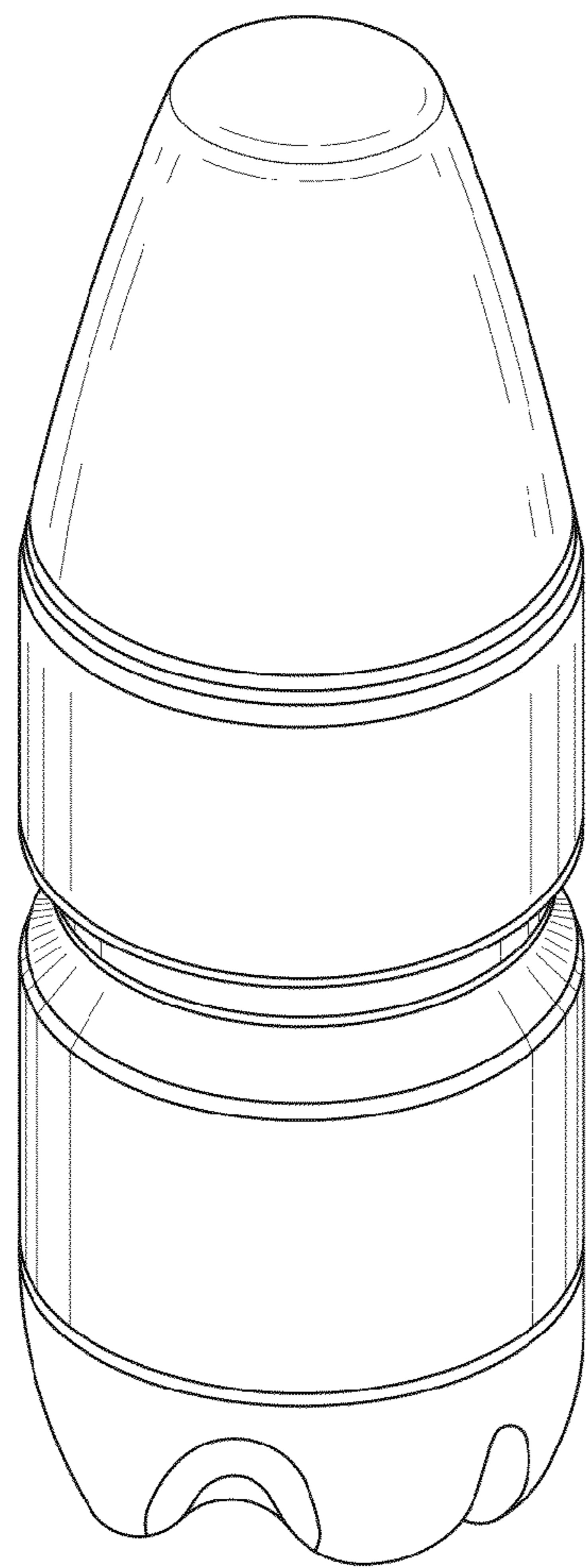


FIG. 1

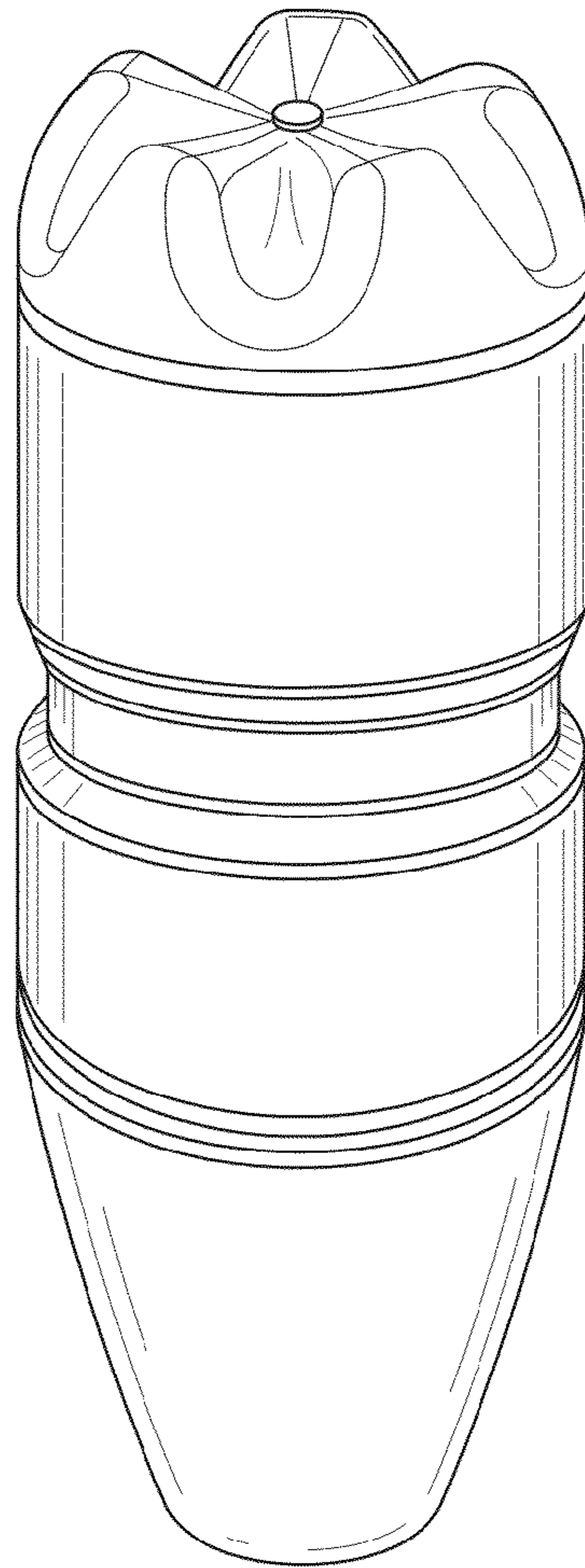


FIG. 2

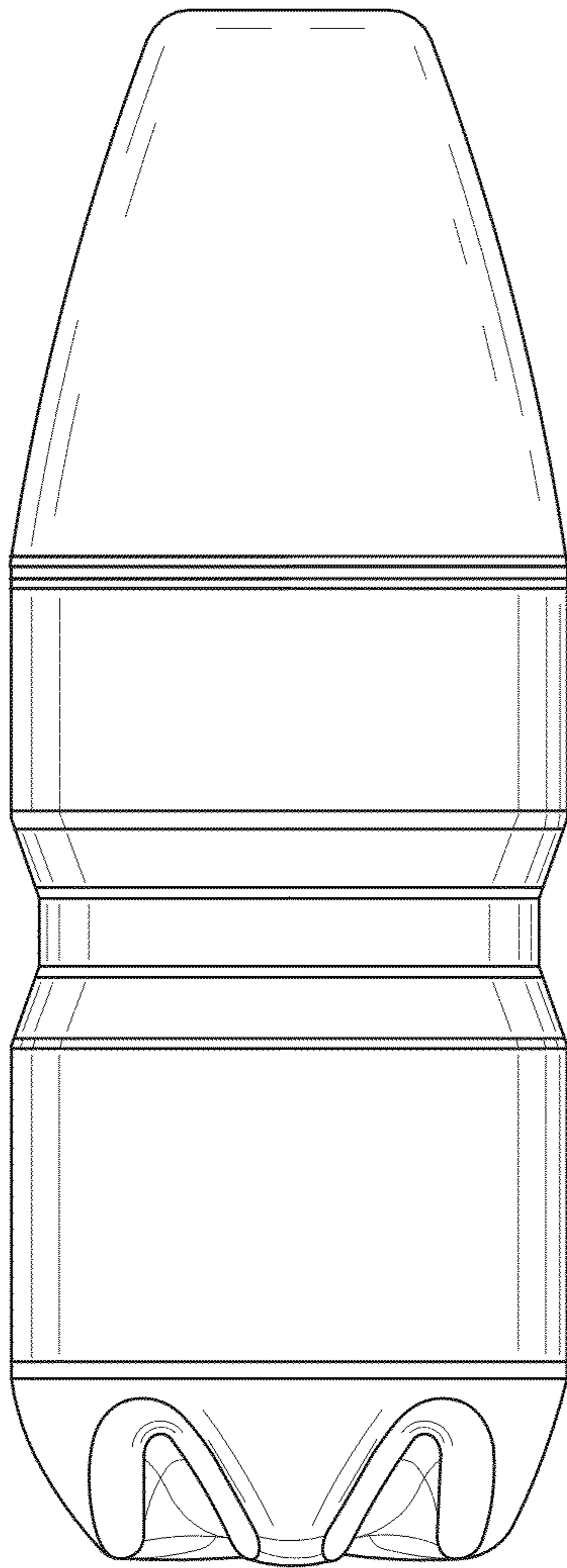


FIG. 3

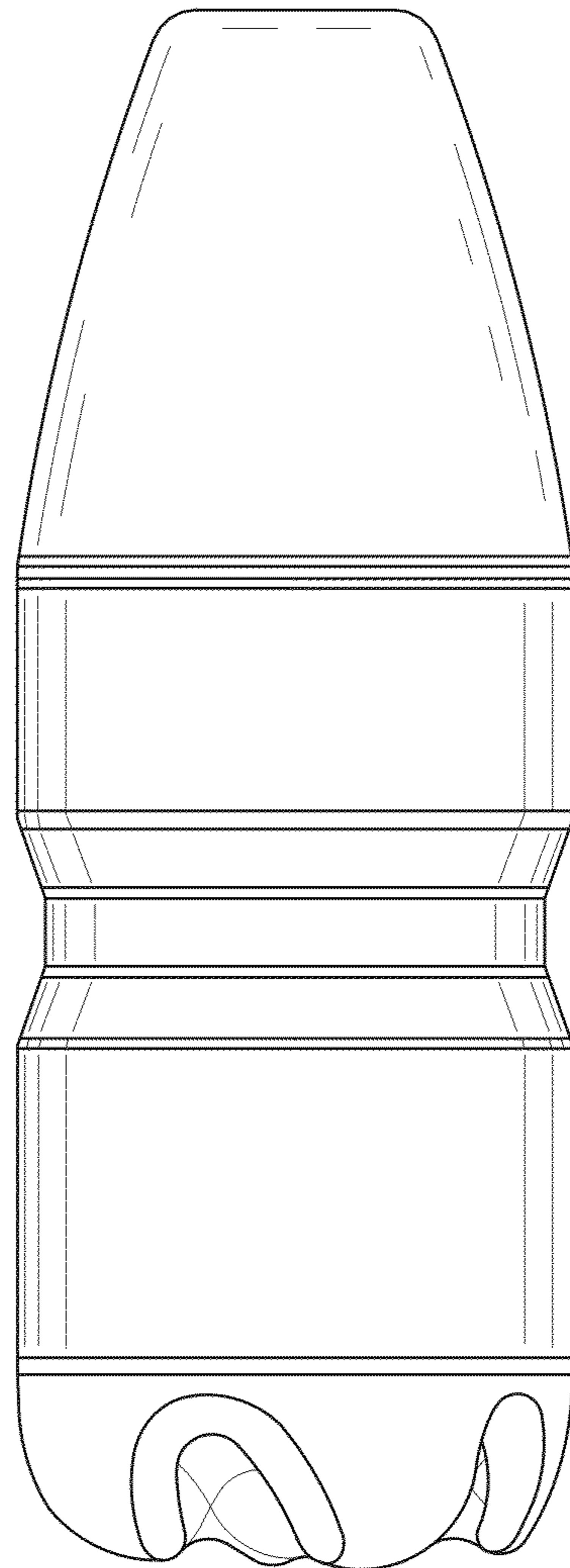


FIG. 4

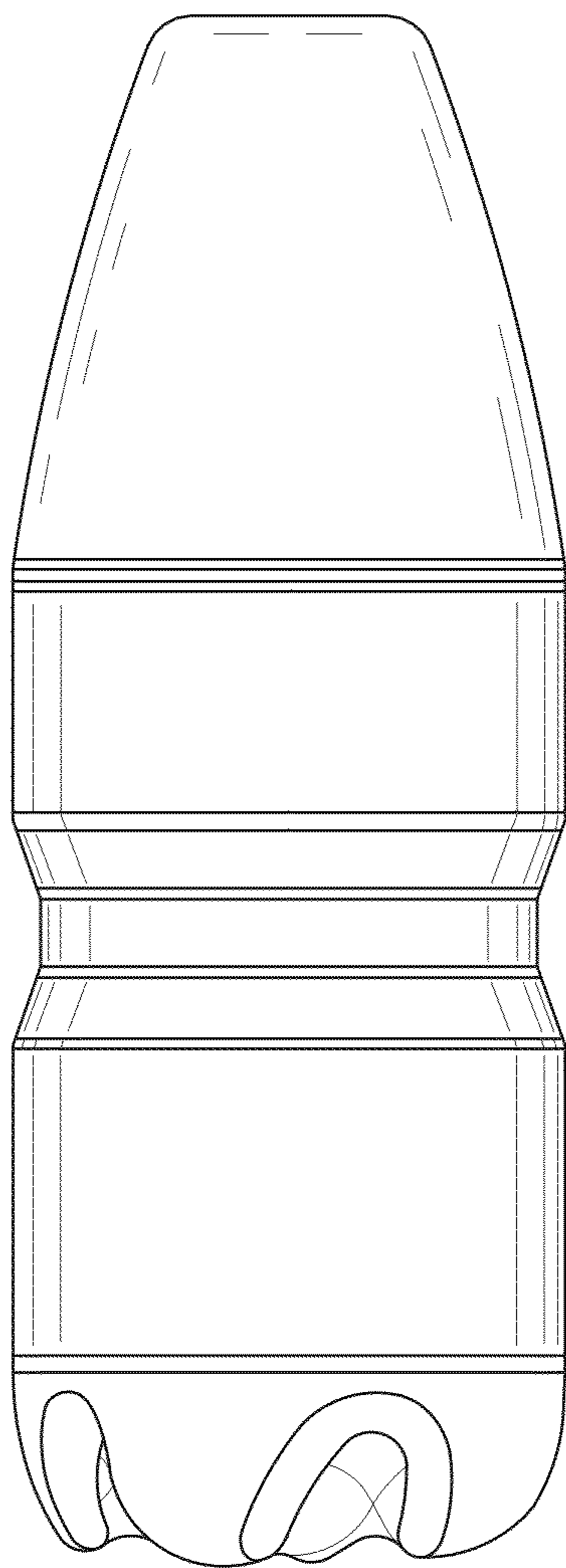


FIG. 5

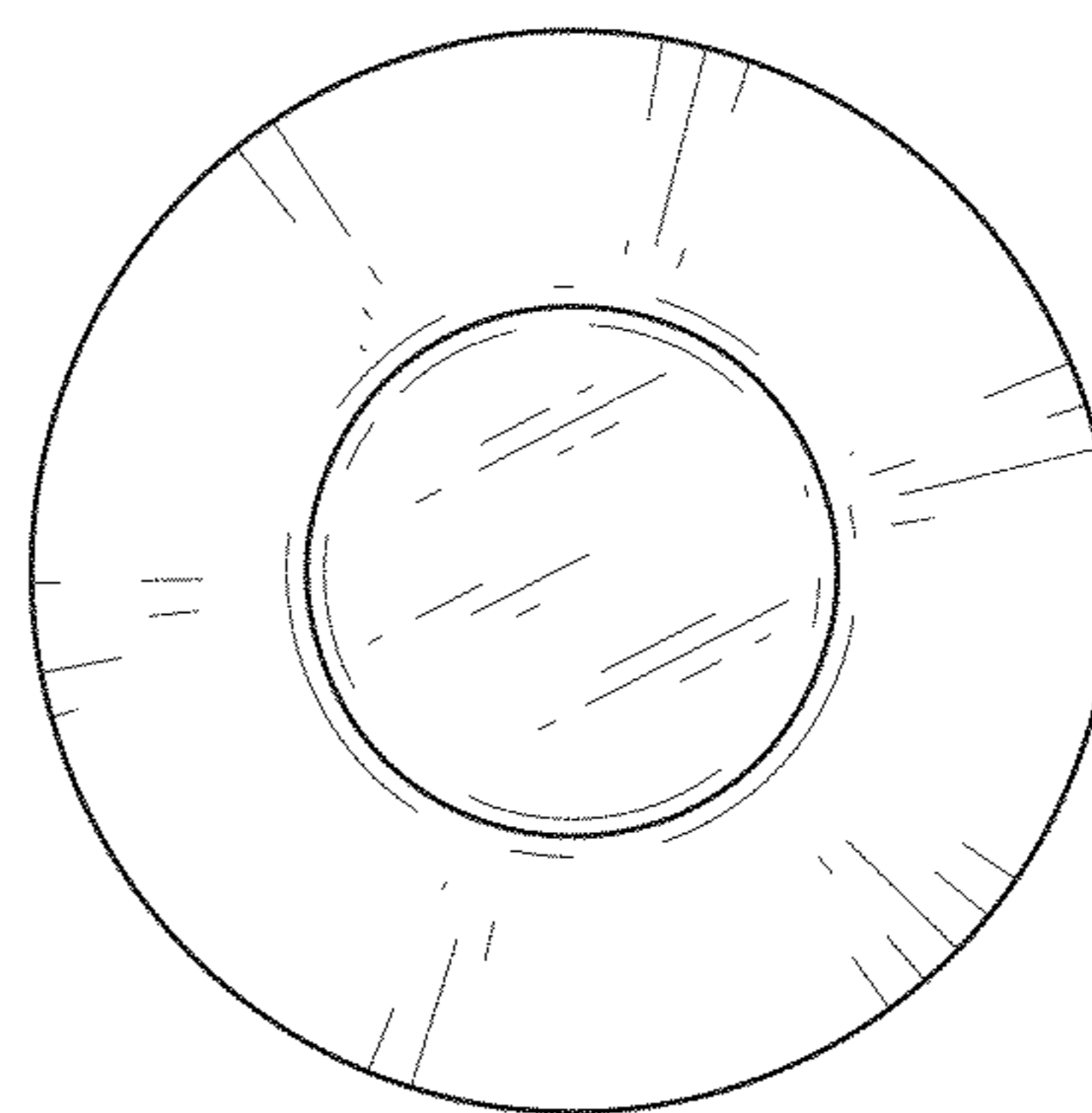


FIG. 6