



US00D697403S

(12) **United States Design Patent**
Rendo

(10) **Patent No.:** **US D697,403 S**
(45) **Date of Patent:** **** Jan. 14, 2014**

(54) **BAG CARRIER**

(76) Inventor: **Benjamin C. Rendo**, Prairie Village, KS
(US)

(**) Term: **14 Years**

(21) Appl. No.: **29/431,927**

(22) Filed: **Sep. 12, 2012**

(51) **LOC (10) Cl.** **09-07**

(52) **U.S. Cl.**
USPC **D9/434**

(58) **Field of Classification Search**
USPC D9/434, 455, 499; D3/328, 276, 282,
D3/291; D8/10, 14, 356, 367, 368, 372;
294/137, 146, 153, 158, 159, 170, 171;
16/428; D21/532

See application file for complete search history.

(56) **References Cited**

U.S. PATENT DOCUMENTS

| | | | |
|----------------|---------|----------------|---------|
| D314,150 S | 1/1991 | Preciutti | |
| 5,339,555 A * | 8/1994 | Miskimins | 43/5 |
| D372,865 S * | 8/1996 | Stowell et al. | D9/434 |
| D374,621 S * | 10/1996 | Salazar, Jr. | D9/434 |
| D379,432 S * | 5/1997 | Santini | D9/434 |
| D386,409 S * | 11/1997 | Santini | D9/434 |
| D388,326 S | 12/1997 | Gurry et al. | |
| D400,785 S * | 11/1998 | Randall | D9/434 |
| D408,259 S * | 4/1999 | Hagen | D8/300 |
| D417,393 S | 12/1999 | DiMeo et al. | |
| D421,221 S | 2/2000 | O’Kane | |
| D441,653 S | 5/2001 | LeRoux | |
| D448,665 S | 10/2001 | Lenczowski | |
| D458,130 S * | 6/2002 | Ronne et al. | D9/434 |
| 7,232,168 B2 * | 6/2007 | Orefice | 294/137 |
| D559,679 S * | 1/2008 | Findon | D9/434 |
| D563,741 S * | 3/2008 | Patton | D8/10 |

| | | | |
|--------------|---------|---------------|--------|
| D565,405 S * | 4/2008 | Lenci | D9/434 |
| D578,859 S * | 10/2008 | Bednarz | D8/300 |
| D618,973 S * | 7/2010 | Gosselin | D8/10 |
| D643,991 S * | 8/2011 | Miller et al. | D34/28 |

OTHER PUBLICATIONS

Rendo, Benjamin C.; “Bag Carrier”; Design U.S. Appl. No. 29/447,478, filed Mar. 4, 2013.

Rendo, Benjamin C.; “Bag Carrier”; Design U.S. Appl. No. 29/447,480, filed Mar. 4, 2013.

* cited by examiner

Primary Examiner — Susan Bennett Hattan

Assistant Examiner — Brett Miller

(74) *Attorney, Agent, or Firm* — Polsinelli PC

(57) **CLAIM**

The ornamental design for a bag carrier, as shown and described.

DESCRIPTION

FIG. 1 is a perspective view of a first embodiment of my bag carrier;

FIG. 2 is a front view of the first bag carrier;

FIG. 3 is a side view of the first bag carrier;

FIG. 4 is a top view of the first bag carrier;

FIG. 5 is a bottom view of the first bag carrier;

FIG. 6 is a perspective view of a second embodiment of my bag carrier;

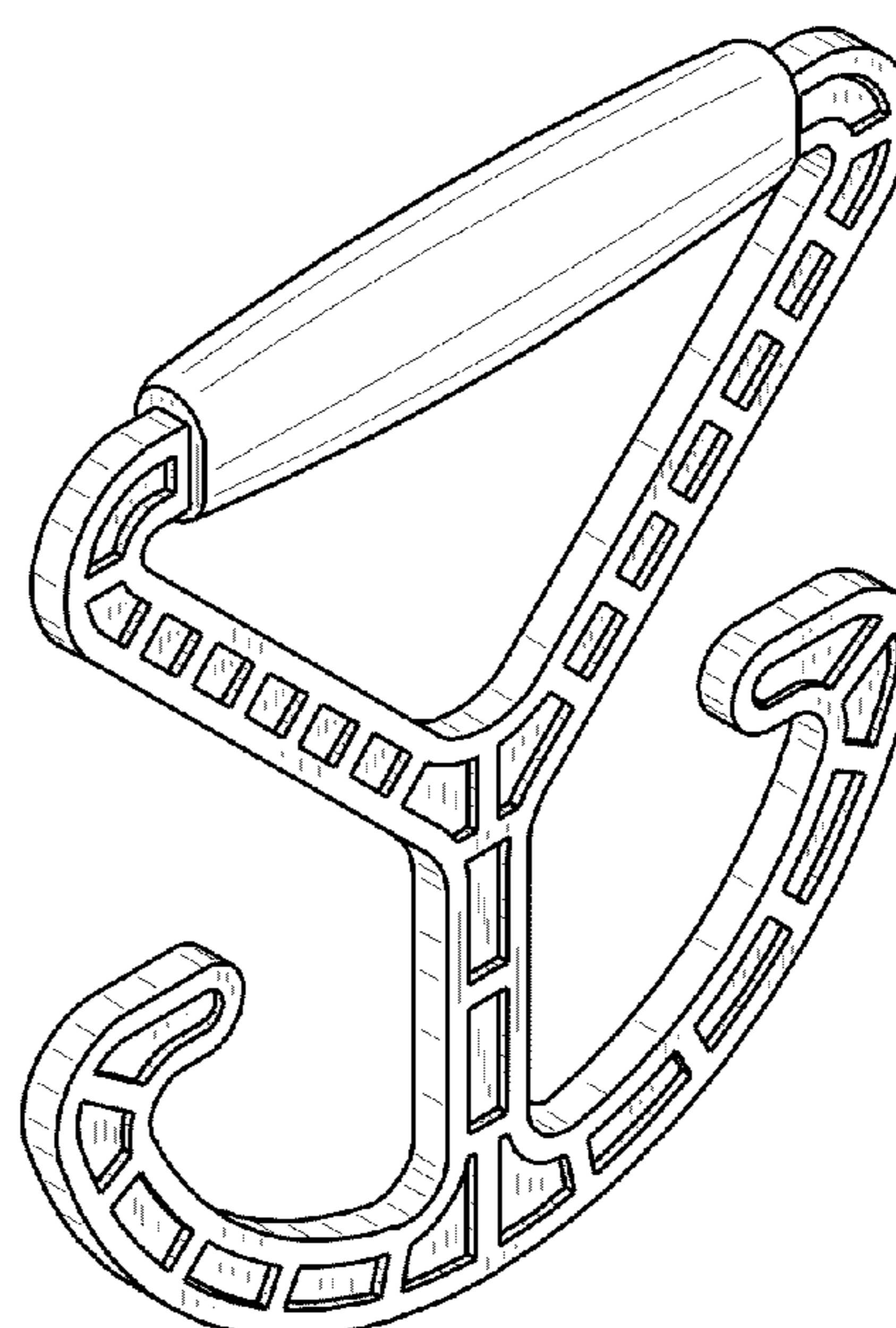
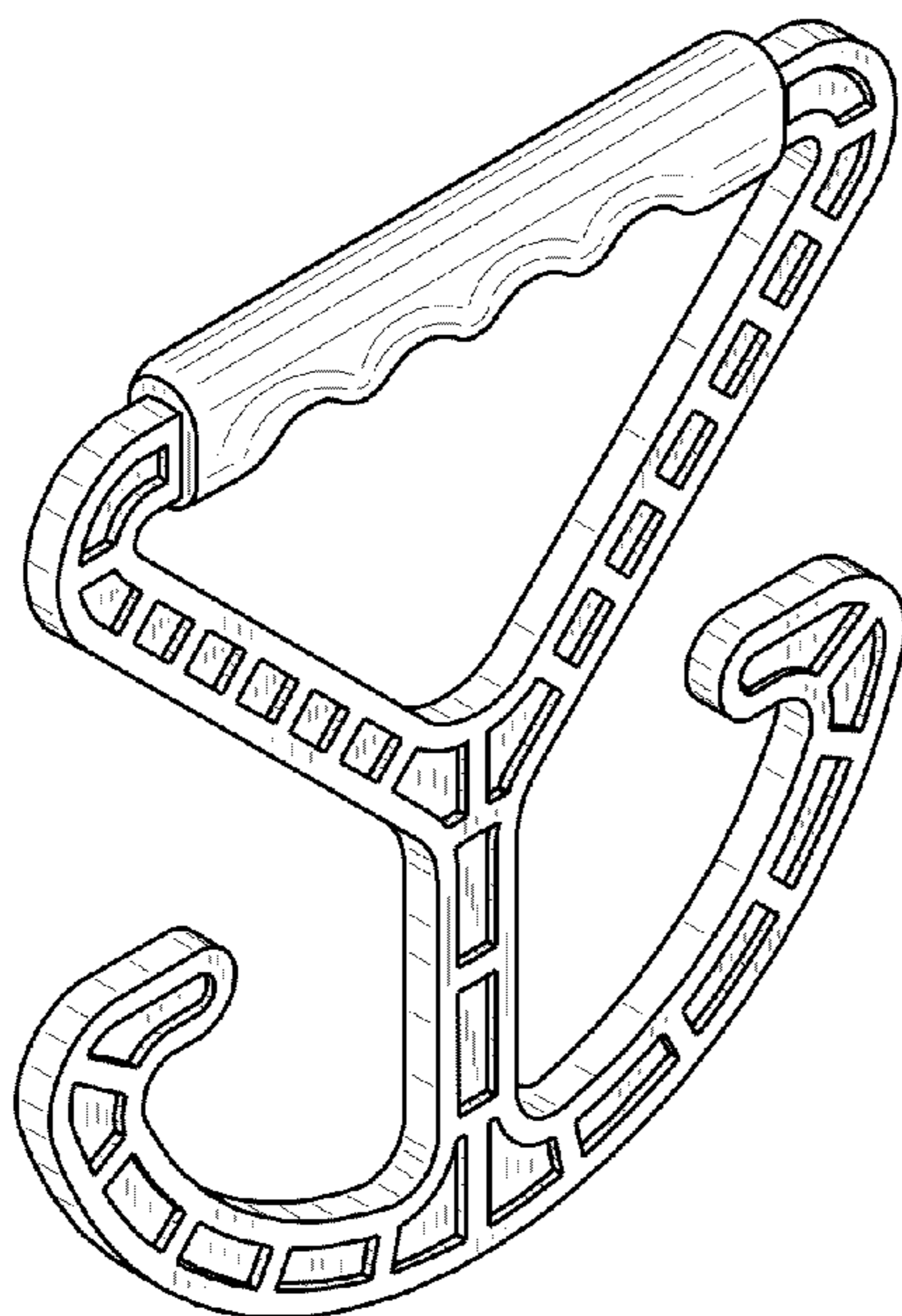
FIG. 7 is a front view of the second bag carrier;

FIG. 8 is a side view of the second bag carrier;

FIG. 9 is a top view of the second bag carrier; and,

FIG. 10 is a bottom view of the second bag carrier.

1 Claim, 2 Drawing Sheets



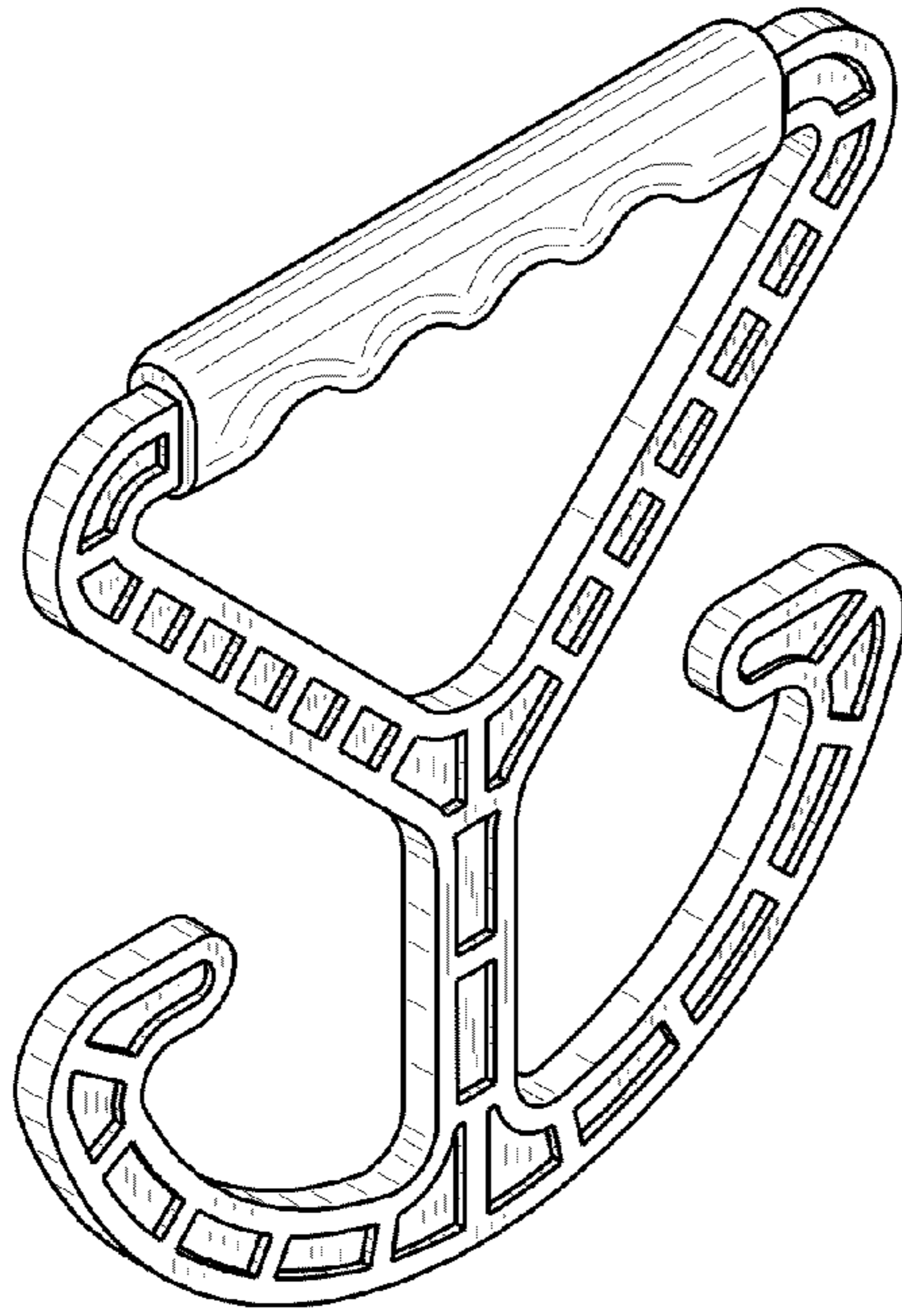


FIG. 1

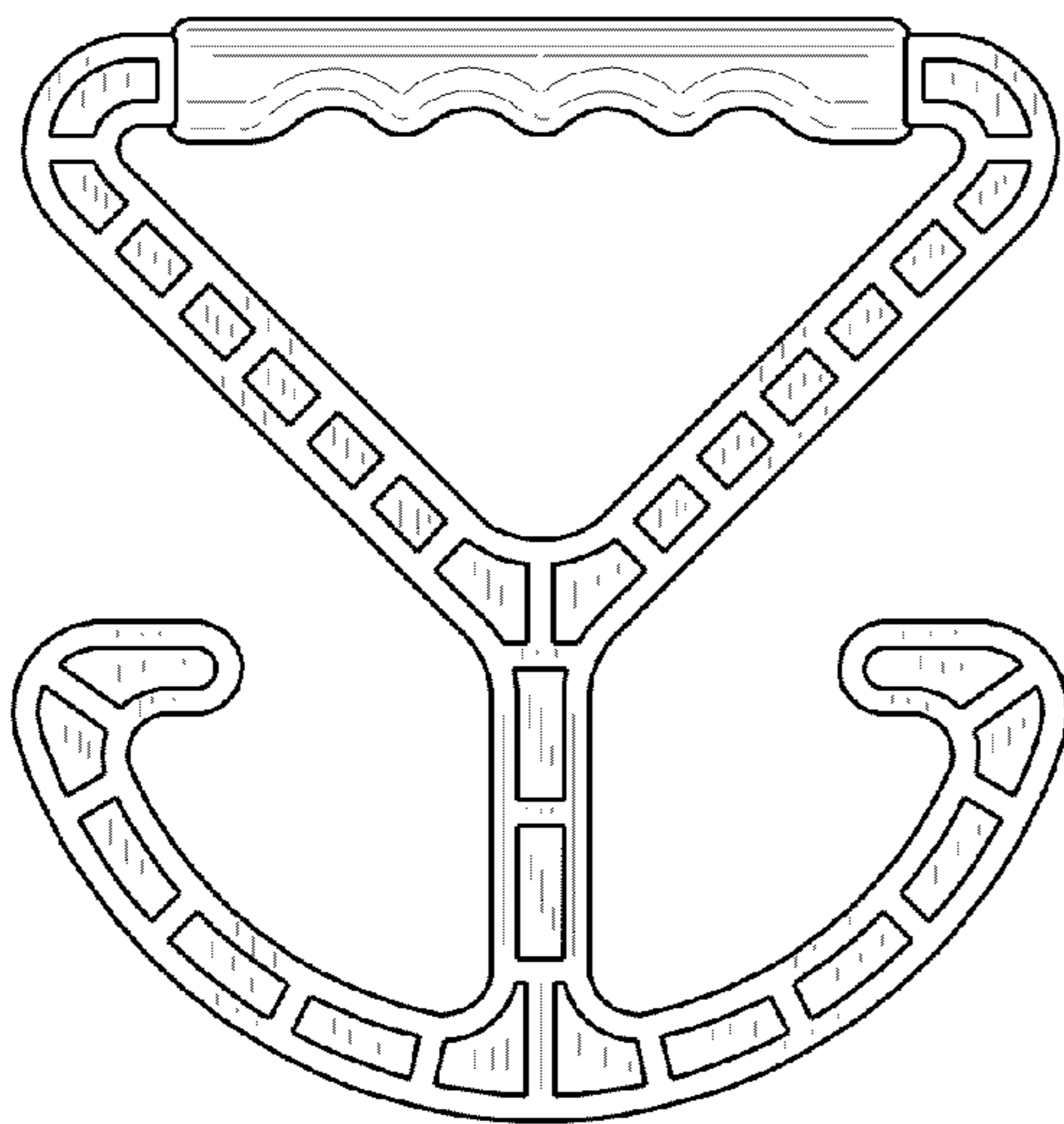


FIG. 2

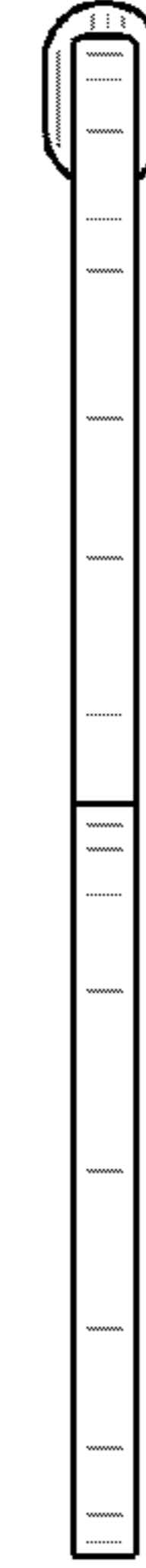


FIG. 3



FIG. 4



FIG. 5

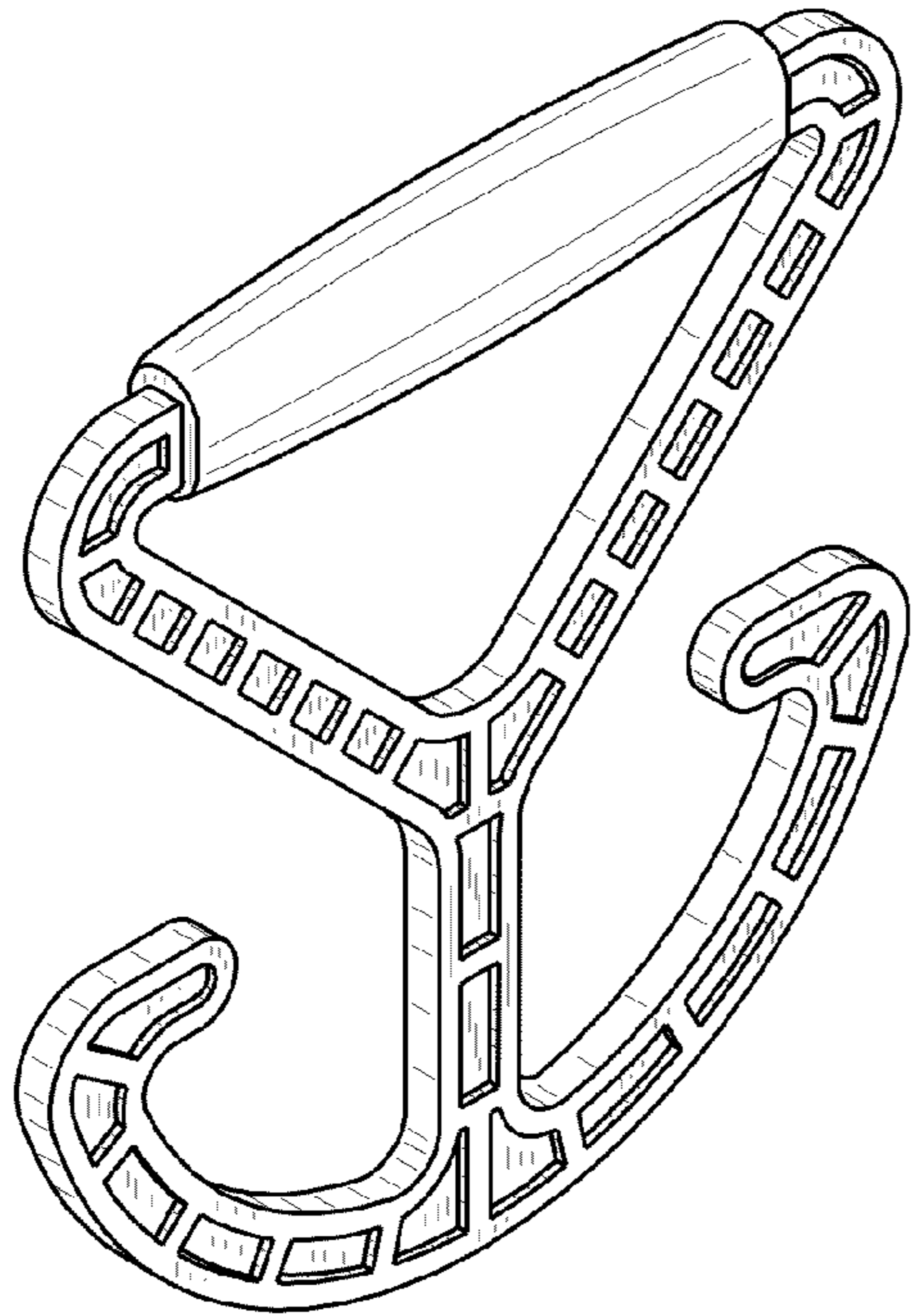


FIG. 6

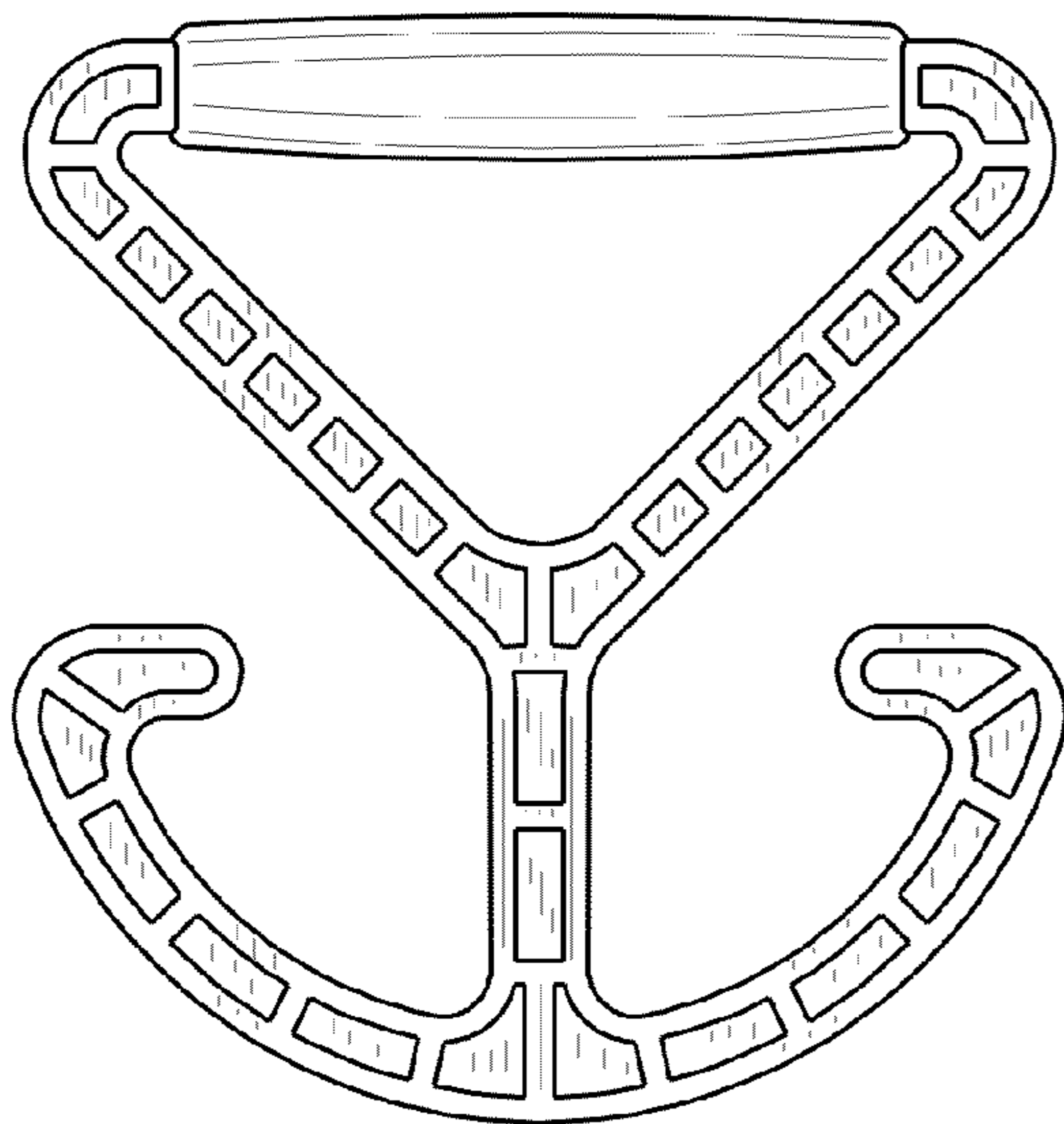


FIG. 7

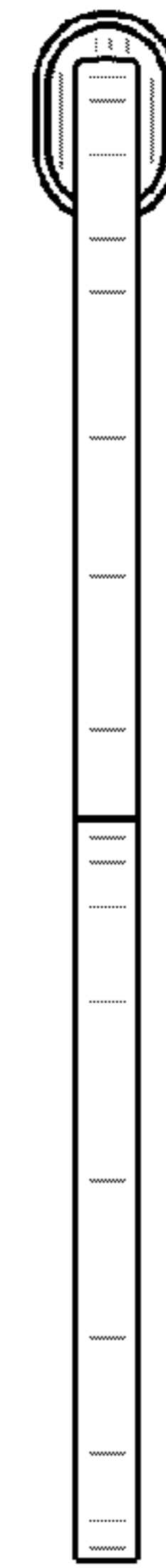


FIG. 8



FIG. 9

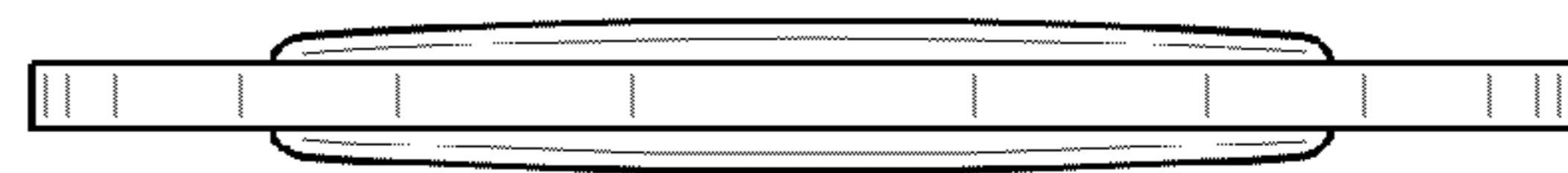


FIG. 10