



US00D697400S

(12) **United States Design Patent**
Bragalone et al.

(10) **Patent No.:** **US D697,400 S**
(45) **Date of Patent:** **** Jan. 14, 2014**

(54) **TUBULAR CONTAINER WITH REMOVABLE LIDS**

(71) Applicants: **Jeffrey Ray Bragalone**, Dallas, TX (US); **Lee Herbert Miller**, Greenwich, CT (US); **William Bruce Morrow**, Santa Barbara, CA (US)

(72) Inventors: **Jeffrey Ray Bragalone**, Dallas, TX (US); **Lee Herbert Miller**, Greenwich, CT (US); **William Bruce Morrow**, Santa Barbara, CA (US)

(**) Term: **14 Years**

(21) Appl. No.: **29/432,728**

(22) Filed: **Sep. 19, 2012**

(51) **LOC (10) Cl.** **09-03**

(52) **U.S. Cl.**
USPC **D9/416**

(58) **Field of Classification Search**
USPC D9/415, 414, 416, 418, 419, 428, 442, D9/447, 430, 432-433, 456, 424, 503, 501, D9/695, 696, 697, 699, 690, 686, 688, 689, D9/711, 715, 721, 710, 718, 736, 740, 743, D9/744, 749, 757, 767, 772, 781, 753, 742, D9/739, 72, 445, 529; 206/395, 397-398, 206/223, 736, 756, 495, 349, 760, 541, 206/784; 229/395, 938, 902, 409, 125.05, 229/116.1; D7/602, 608, 607, 615, 611, D7/612, 619.1, 598; 446/71

See application file for complete search history.

(56) **References Cited**

U.S. PATENT DOCUMENTS

3,425,591 A 2/1969 Pugh, Sr.
3,594,945 A 7/1971 Turney

D247,923 S	5/1978	Bartz	
4,151,674 A	5/1979	Klahn et al.	
4,329,807 A	5/1982	Atkinson	
D270,076 S	8/1983	Jeter	
4,850,923 A	7/1989	Etheridge	
5,067,922 A	11/1991	McMahon	
5,133,473 A	7/1992	Piltz et al.	
5,152,709 A	10/1992	Johnson, III et al.	
D515,439 S *	2/2006	Pace	D9/746
D581,279 S *	11/2008	Oates	D9/529
D585,304 S *	1/2009	Alvares et al.	D9/778
D623,943 S *	9/2010	Weld	D9/454
D643,750 S *	8/2011	Dietvorst	D9/734
D645,749 S *	9/2011	Lee	D9/504
D658,493 S *	5/2012	Cometto	D9/424
D664,840 S *	8/2012	Jones et al.	D9/423

* cited by examiner

Primary Examiner — Rhea Shields

(74) *Attorney, Agent, or Firm* — Jack D. Stone, Jr., Esq.; Scheef & Stone, L.L.P.

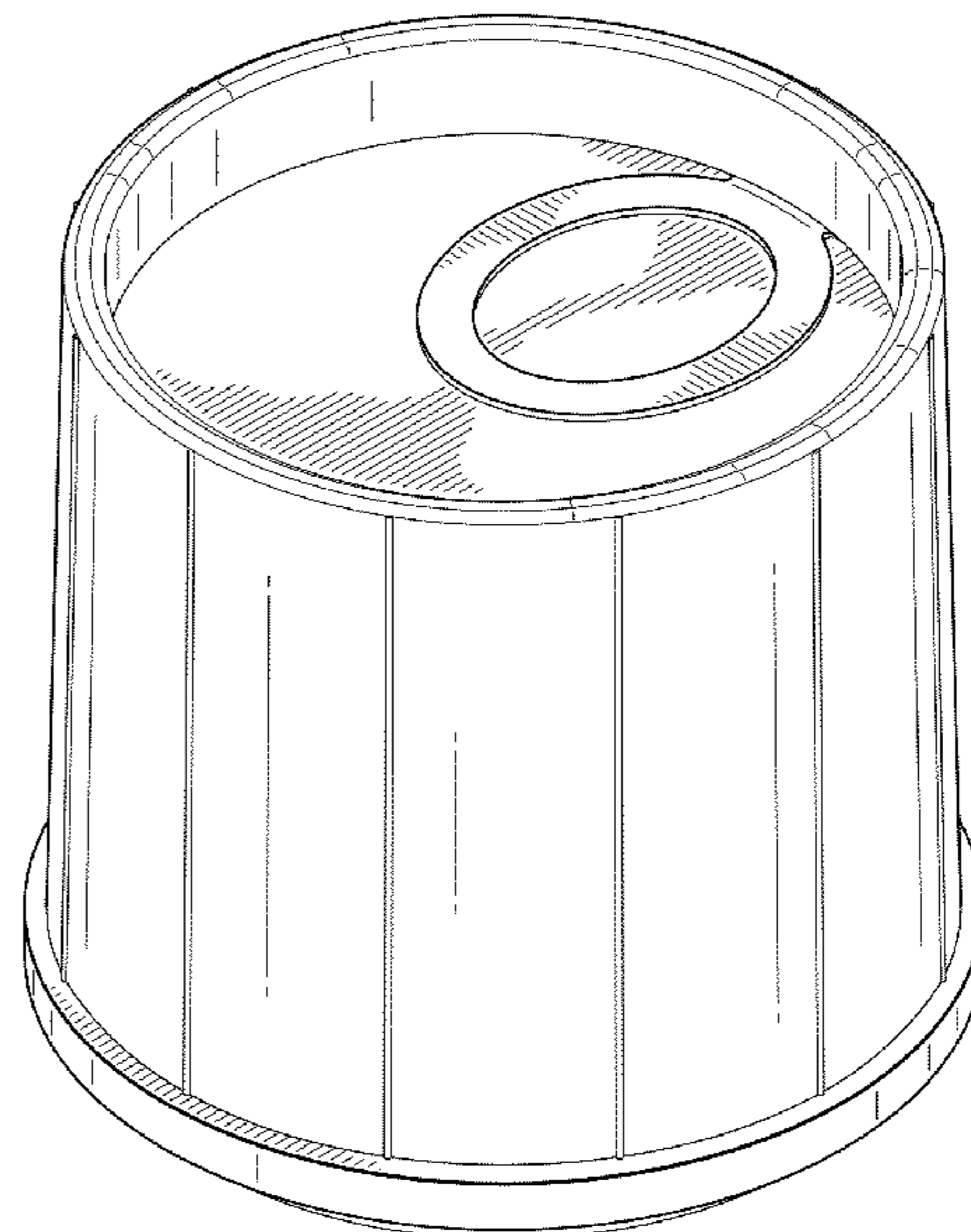
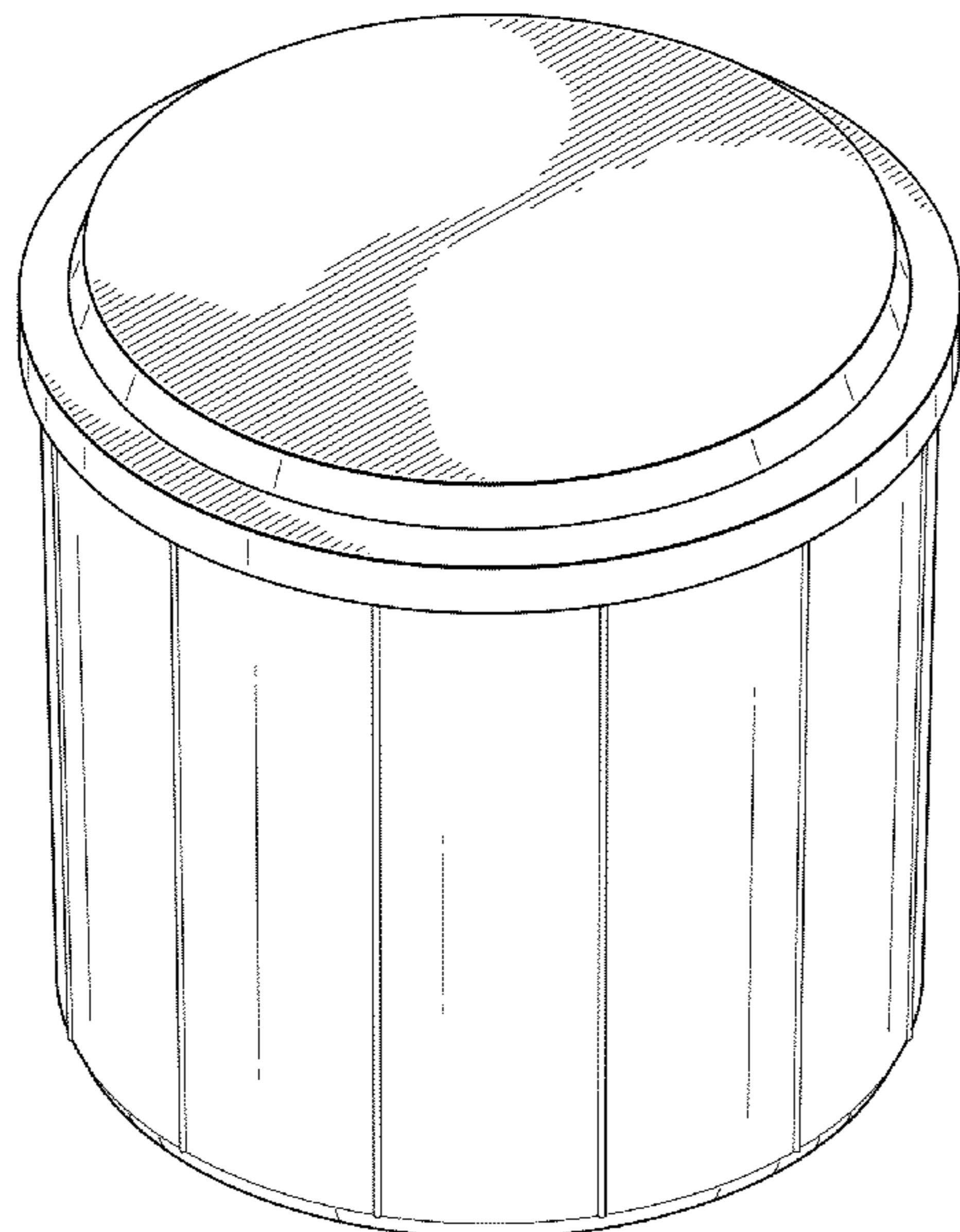
(57) **CLAIM**

The ornamental design for a tubular container with removable lids, as shown and described.

DESCRIPTION

FIG. 1 is a top perspective view thereof;
FIG. 2 is side view thereof;
FIG. 3 is a side view rotated 90° to the right from FIG. 2;
FIG. 4 is a side view rotated 90° to the right from FIG. 3;
FIG. 5 is a side view rotated 90° to the right from FIG. 4;
FIG. 6 is a top view thereof;
FIG. 7 is a bottom view thereof;
FIG. 8 is a bottom perspective view thereof; and,
FIG. 9 is a perspective view of the tubular container with removable lids with the top and bottom ends removed.

1 Claim, 6 Drawing Sheets



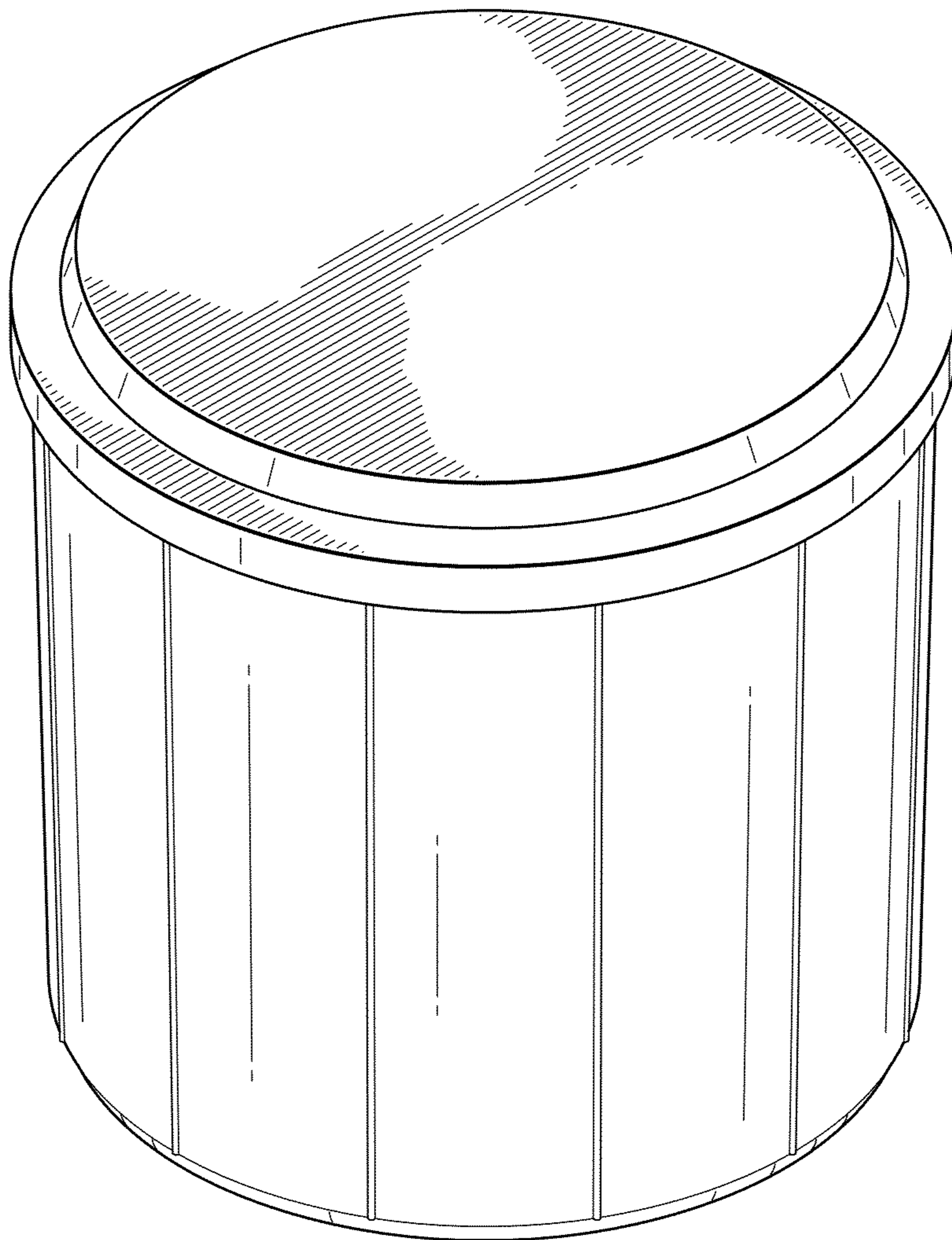


FIG. 1

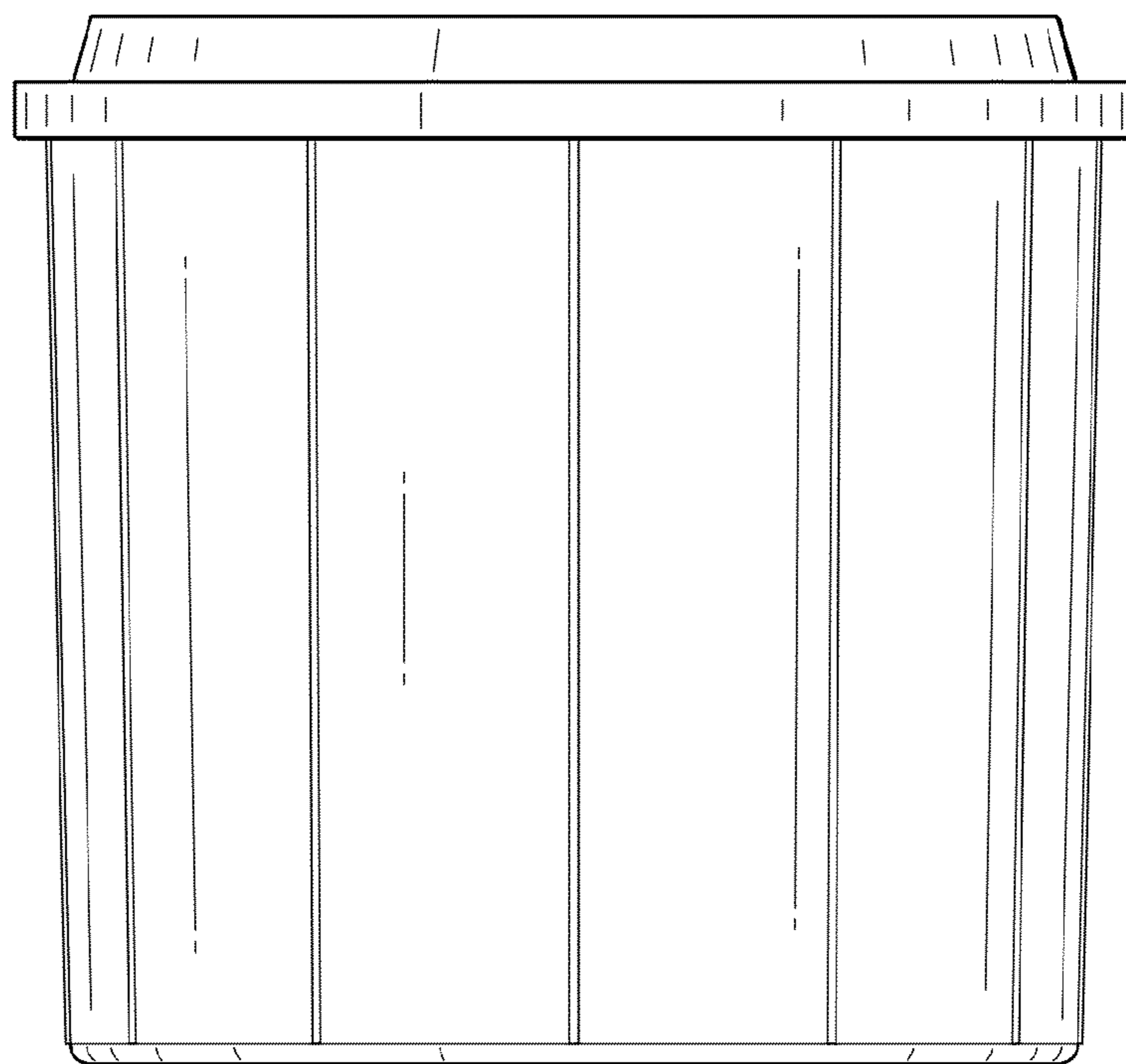


FIG. 2

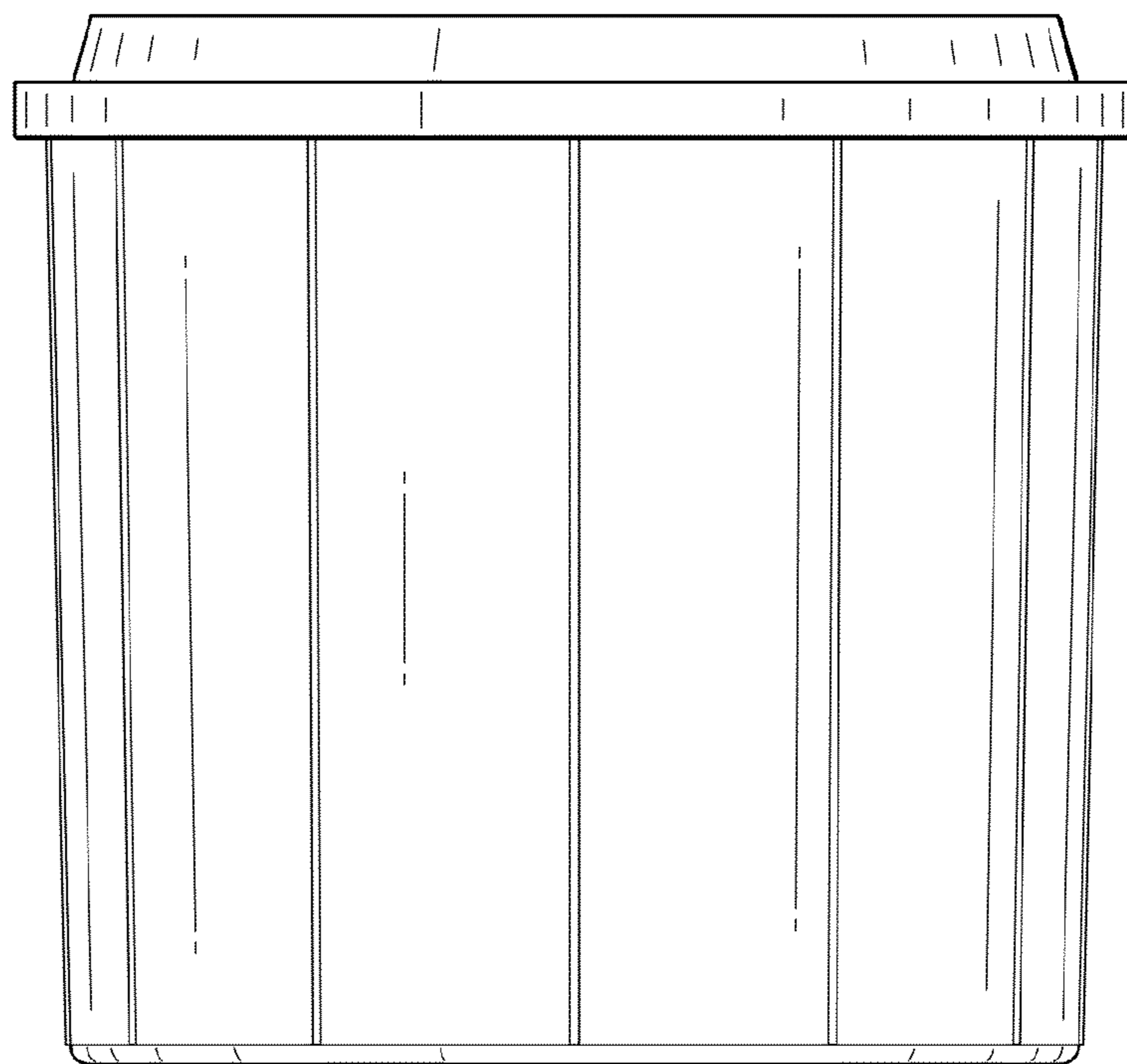


FIG. 3

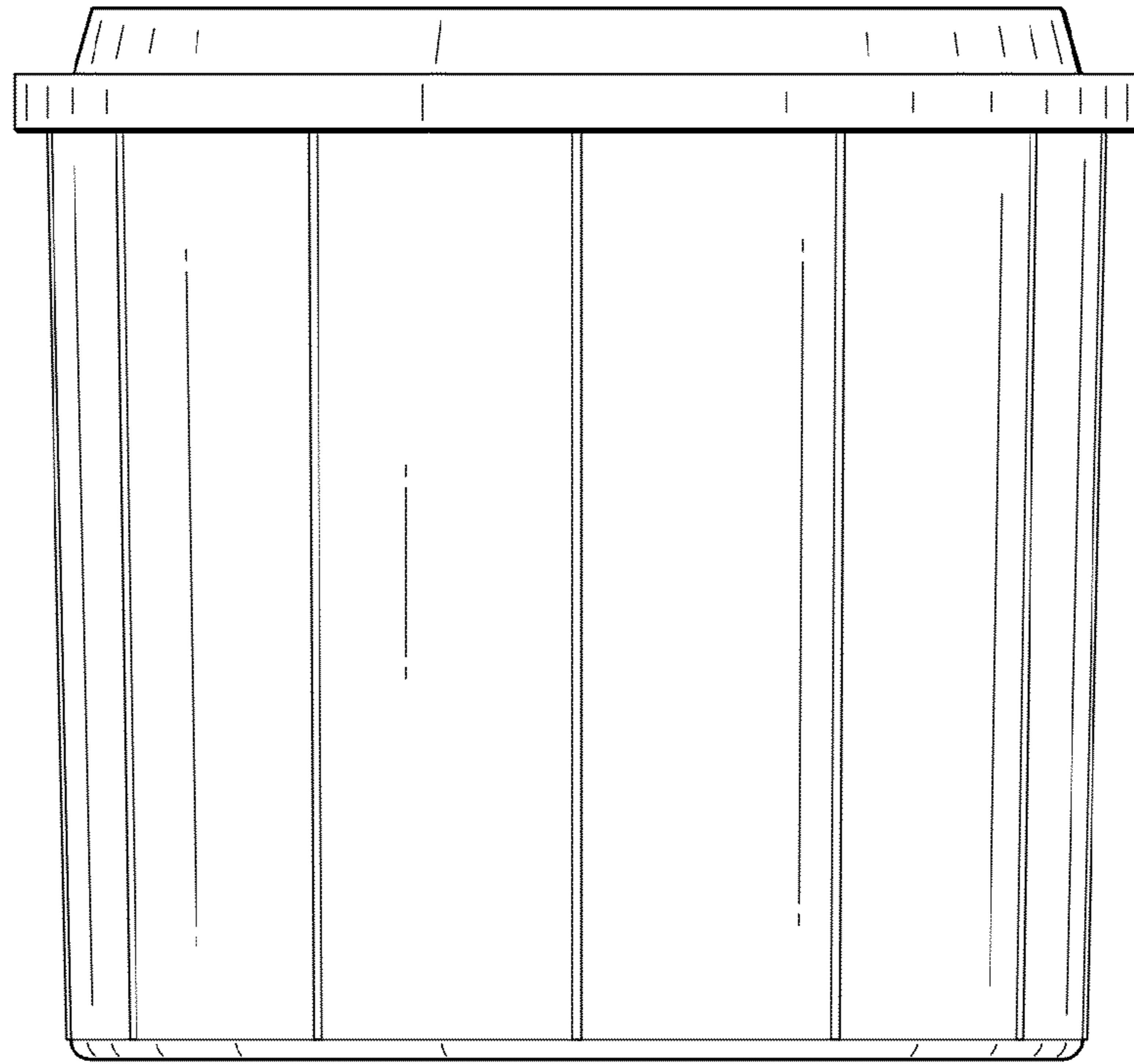


FIG. 4

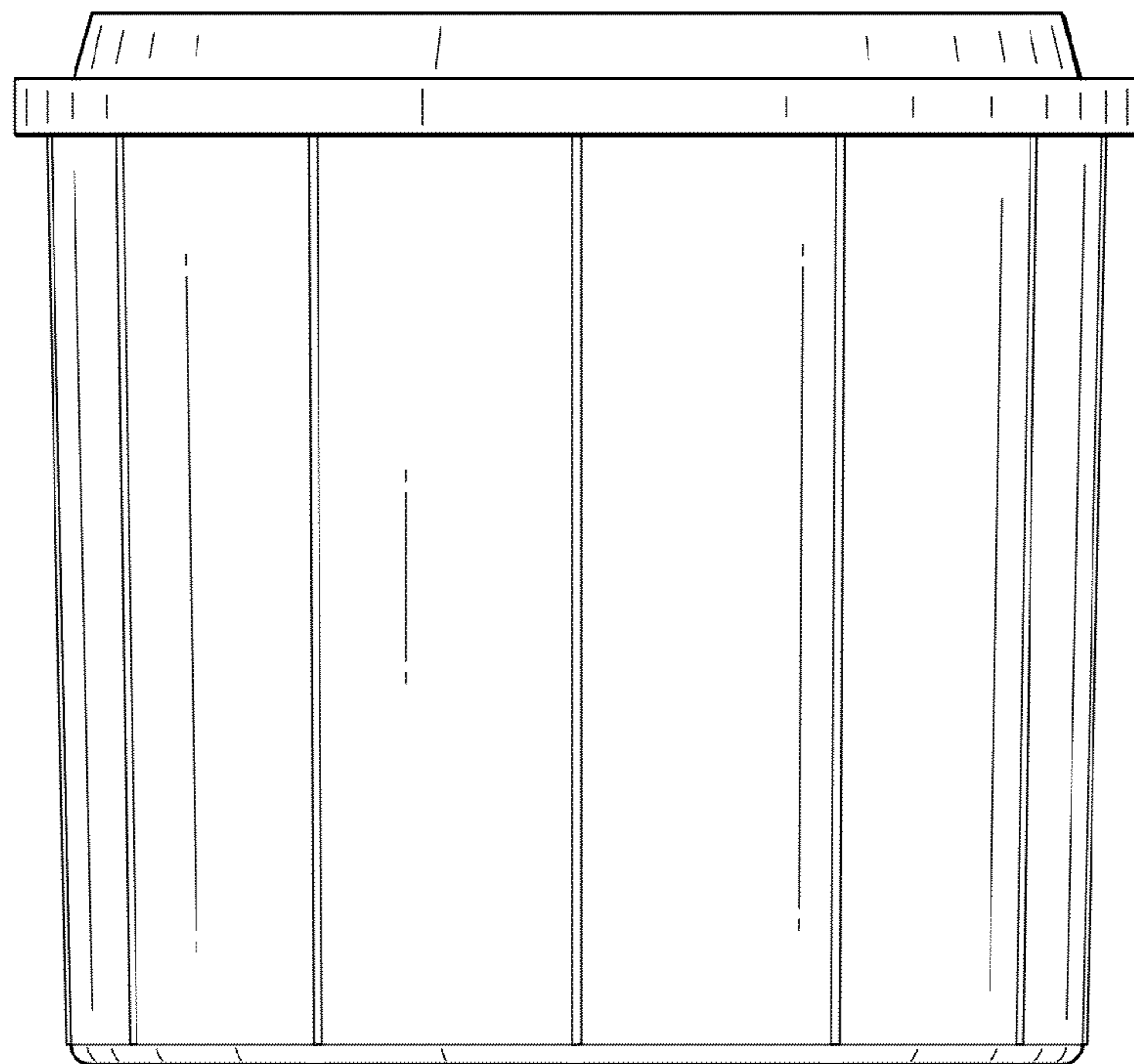


FIG. 5

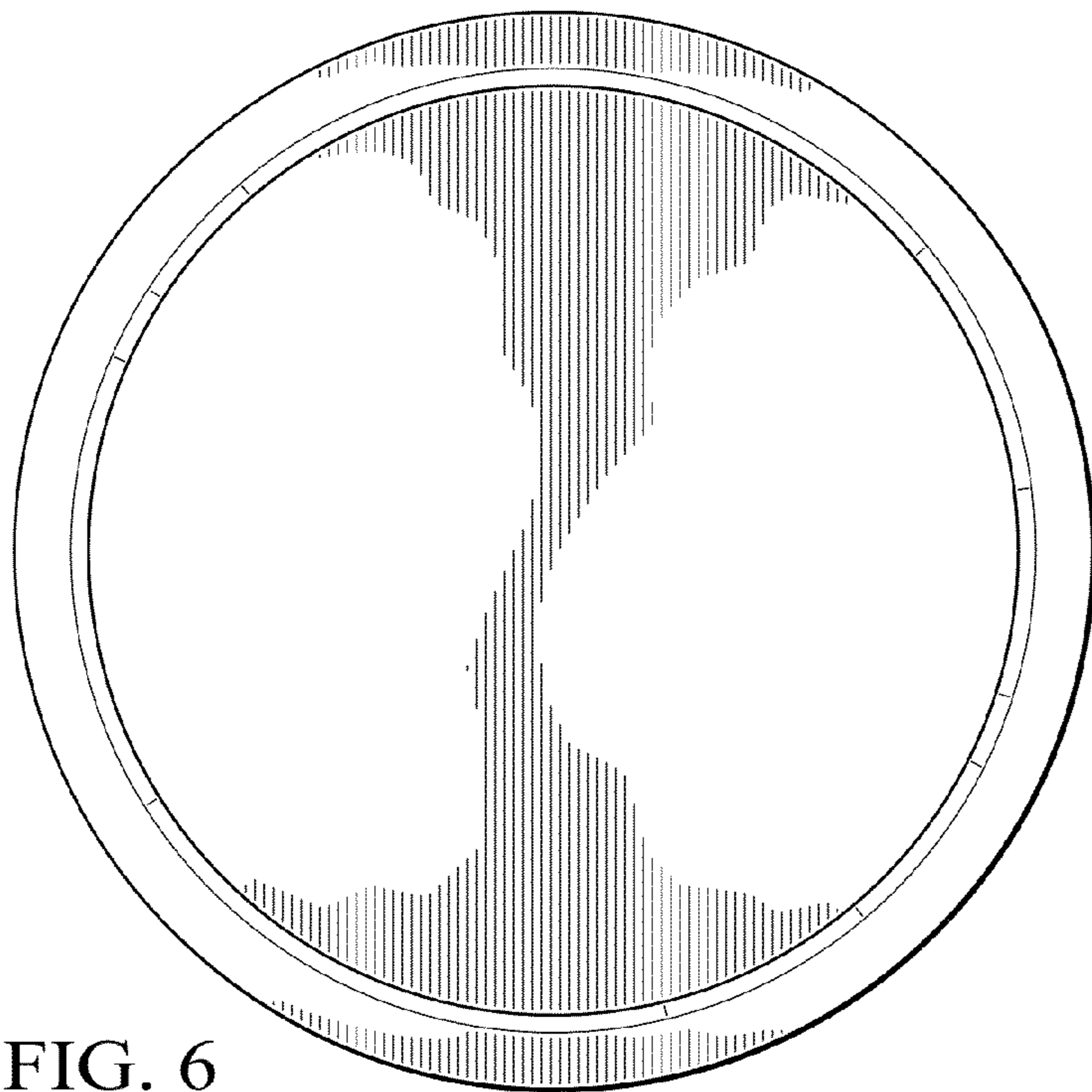


FIG. 6

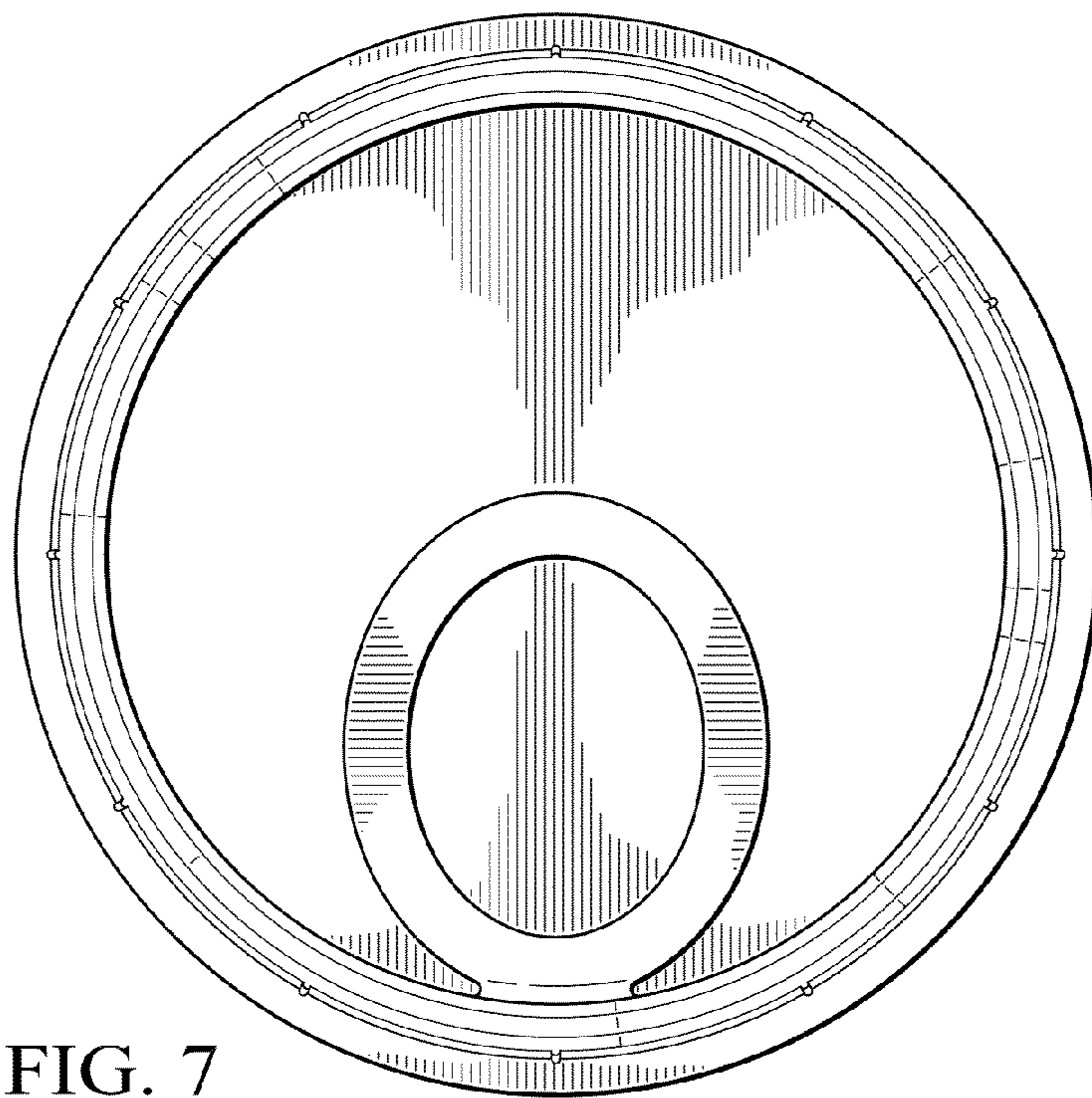


FIG. 7

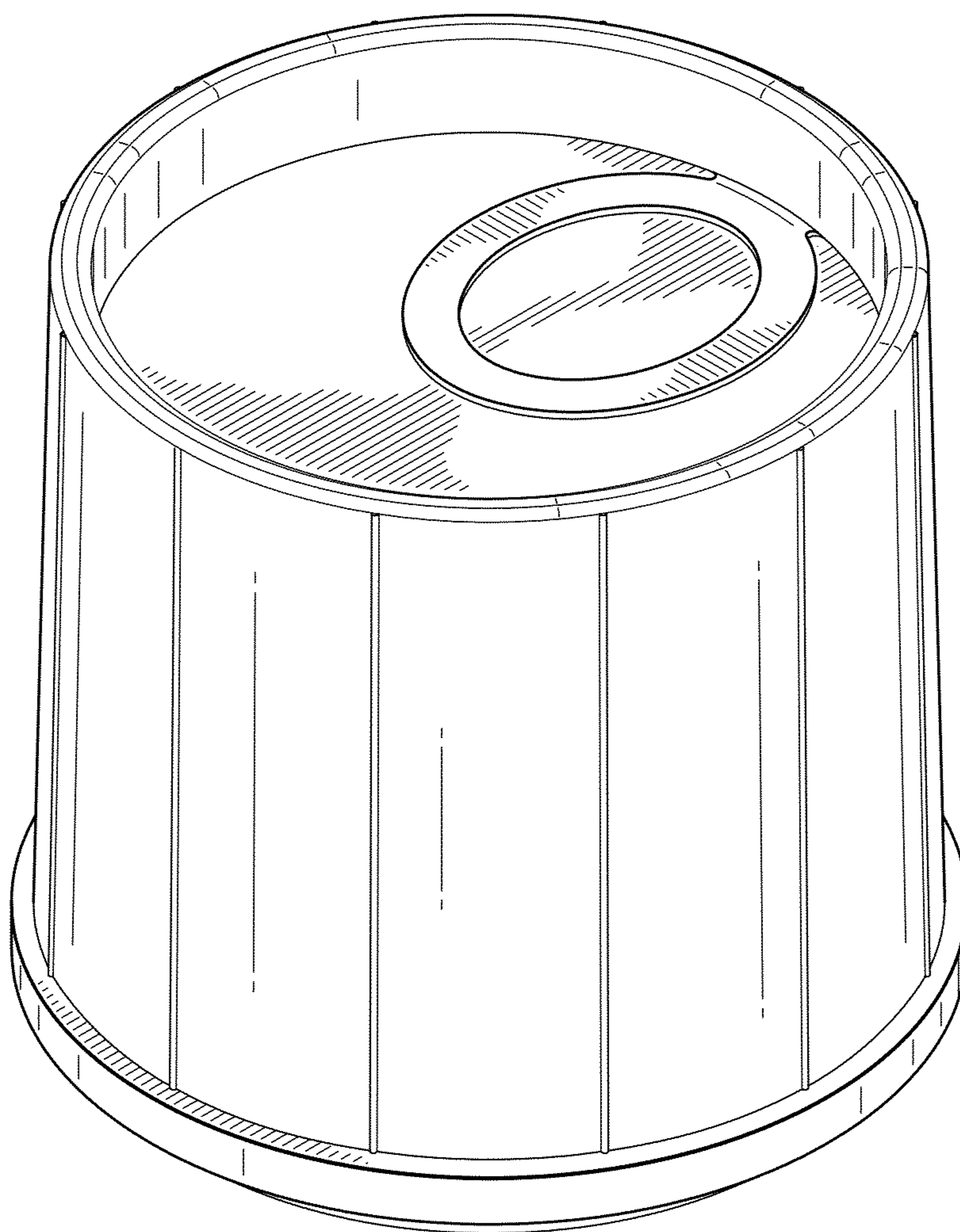


FIG. 8

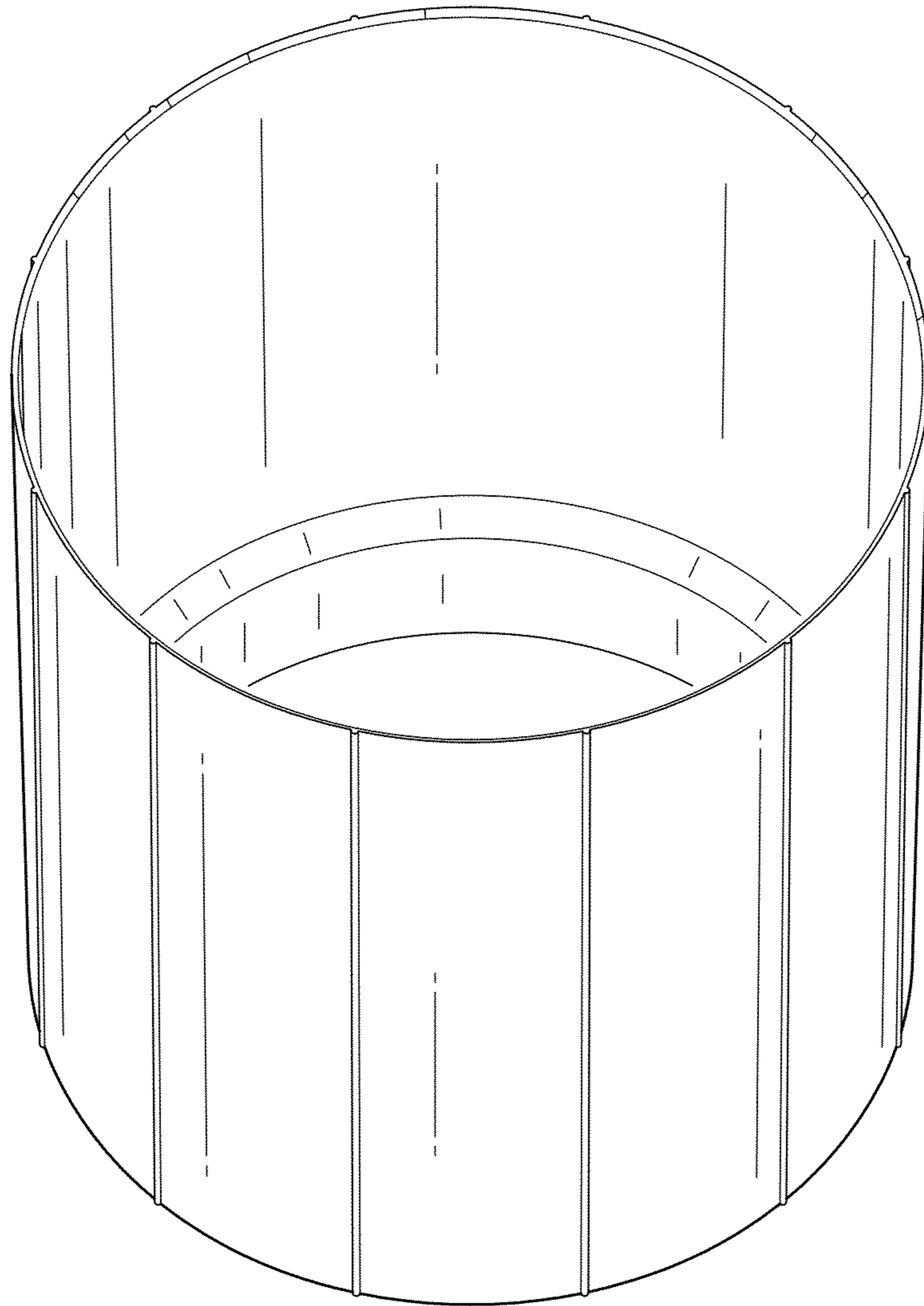


FIG. 9