



US00D697398S

(12) **United States Design Patent**
Guevara-Ludt

(10) **Patent No.:** **US D697,398 S**
(45) **Date of Patent:** **** Jan. 14, 2014**

(54) **BLISTER PACKAGE**

(71) Applicant: **Bumble BE Holdings, LLC**, Los Angeles, CA (US)

(72) Inventor: **Bella Francesca Guevara-Ludt**, Las Vegas, NV (US)

(73) Assignee: **Bumble BE Holdings, LLC**, Los Angeles, CA (US)

(**) Term: **14 Years**

(21) Appl. No.: **29/457,872**

(22) Filed: **Jun. 13, 2013**

(51) **LOC (10) Cl.** **09-03**

(52) **U.S. Cl.**
USPC **D9/415; D9/425**

(58) **Field of Classification Search**
USPC D9/722, 414-432, 457; 206/207-210, 206/461-471, 581, 806, 822, 823
See application file for complete search history.

(56) **References Cited**

U.S. PATENT DOCUMENTS

D278,979 S * 5/1985 Anderson et al. D9/415
D338,401 S * 8/1993 Williams D9/415

D441,646 S * 5/2001 Adkins D9/415
D462,263 S * 9/2002 Tachikawa et al. D9/415
D532,688 S * 11/2006 Manuel et al. D9/425
D565,403 S * 4/2008 Caine et al. D9/415
D609,560 S * 2/2010 Mchatet D9/415
2006/0011505 A1 * 1/2006 Chen 206/461
2007/0289890 A1 * 12/2007 Appelbaum 206/461

* cited by examiner

Primary Examiner — Thomas Johannes

(74) *Attorney, Agent, or Firm* — Risso & Associates

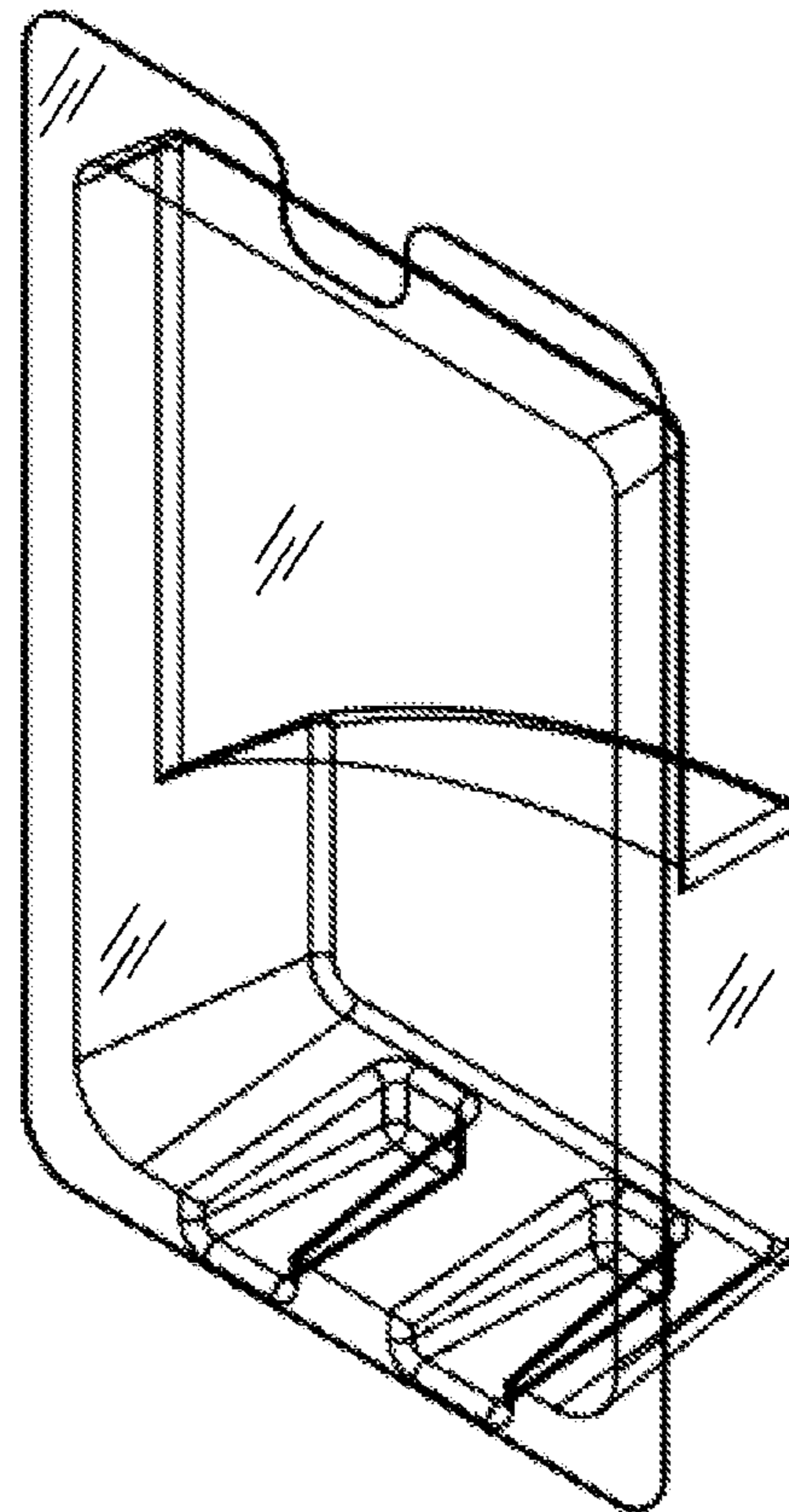
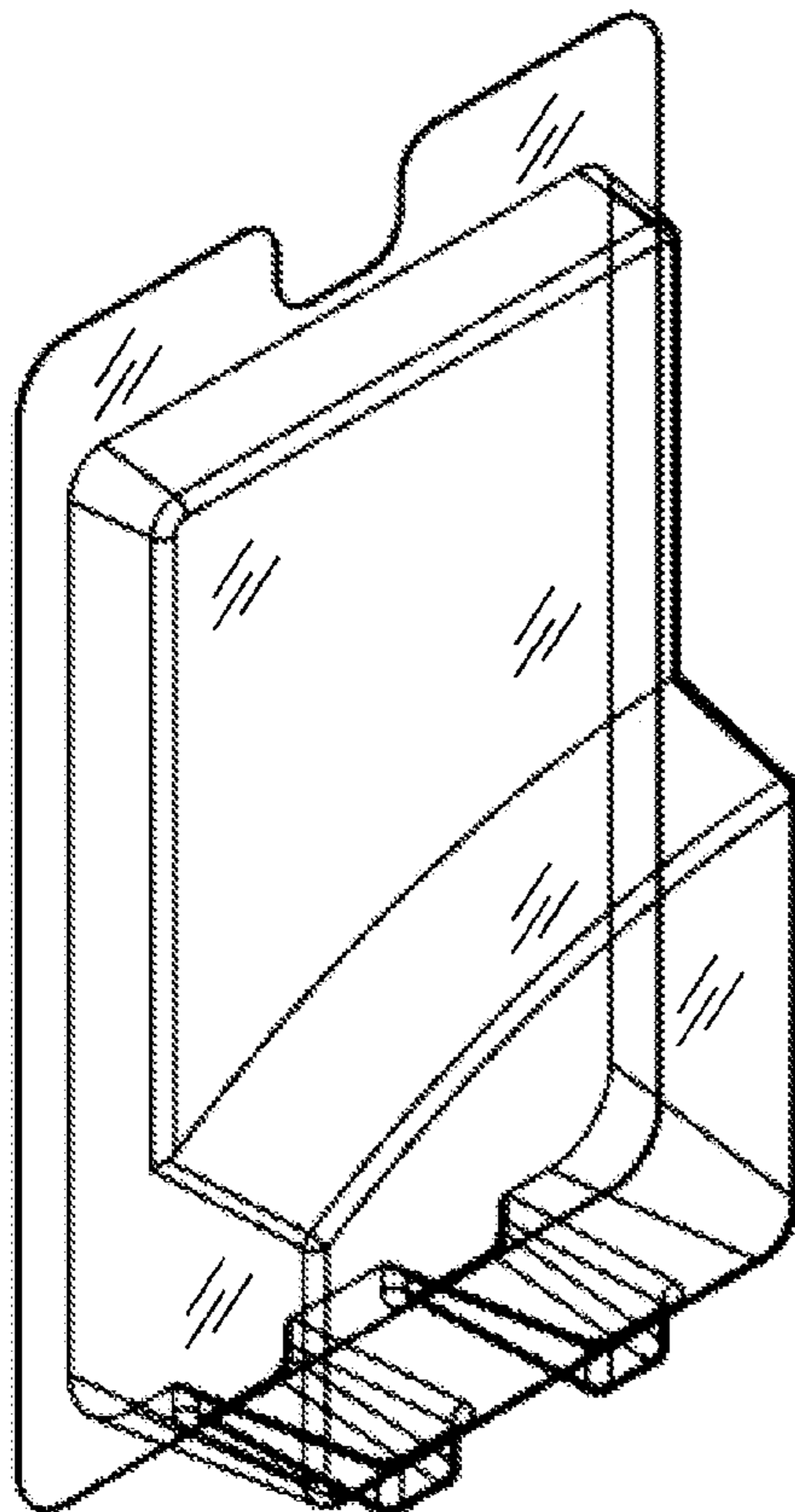
(57) **CLAIM**

The ornamental design for a blister package, as shown and described.

DESCRIPTION

FIG. 1 is a left, front-perspective view of a blister package showing my new design;
FIG. 2 is a left, rear-perspective view thereof;
FIG. 3 is a right, front-perspective view thereof;
FIG. 4 is a right, rear-perspective view thereof;
FIG. 5 is a front view thereof;
FIG. 6 is a rear view thereof;
FIG. 7 is a right, side view thereof;
FIG. 8 is a left, side view thereof;
FIG. 9 is a top view thereof; and,
FIG. 10 is a bottom view thereof.

1 Claim, 4 Drawing Sheets



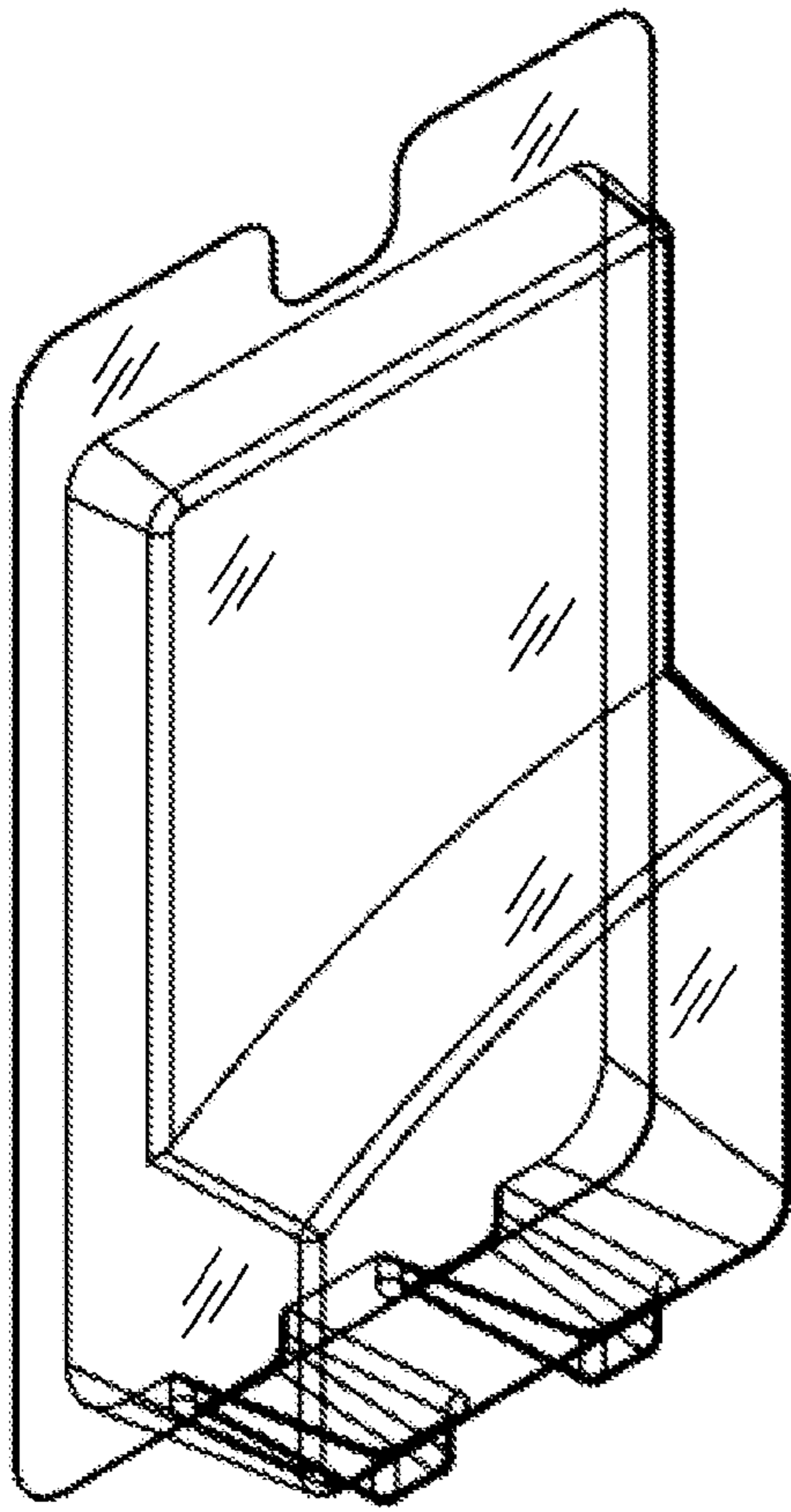


FIG. 1

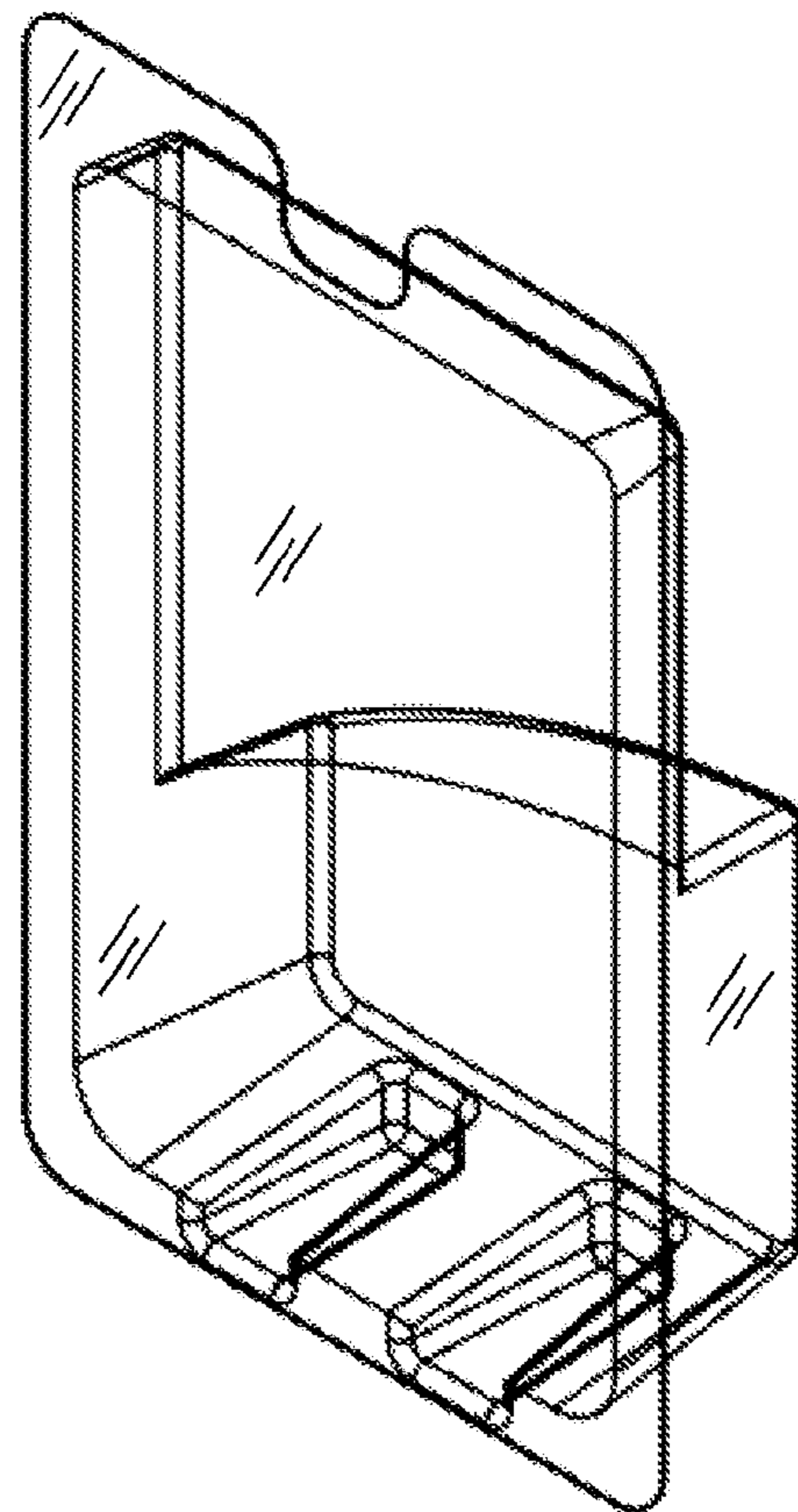


FIG. 2

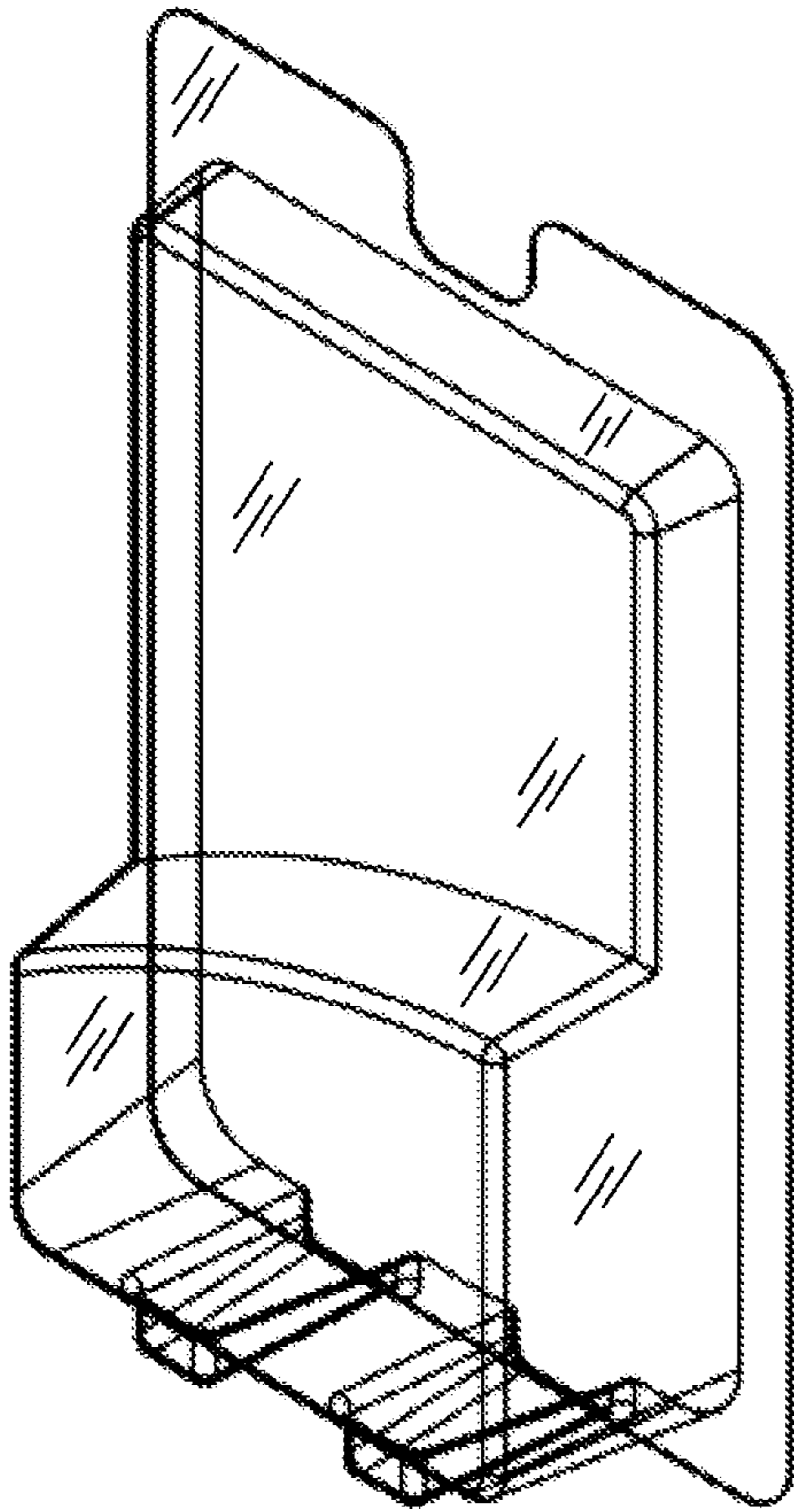


FIG. 3

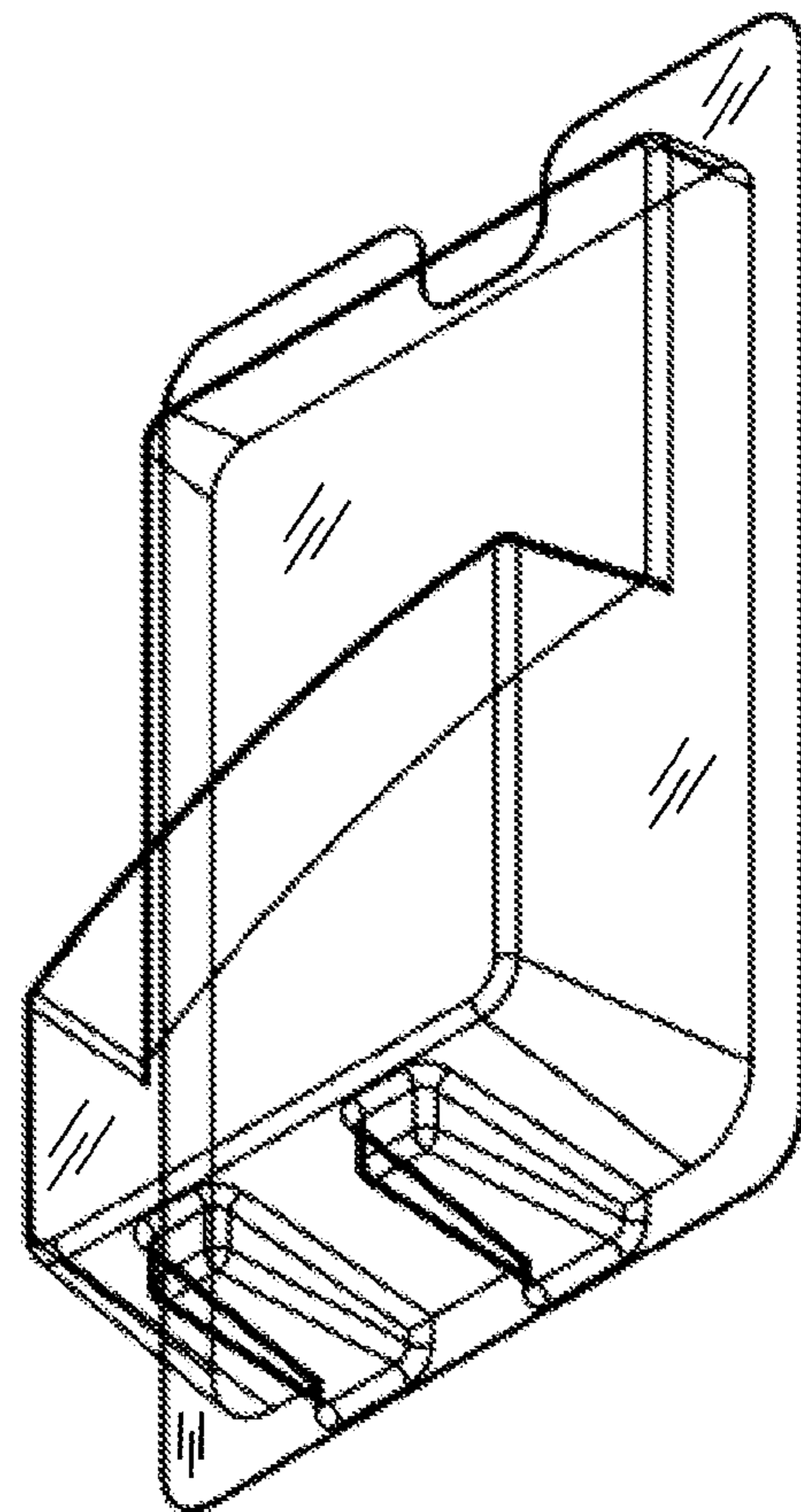


FIG. 4

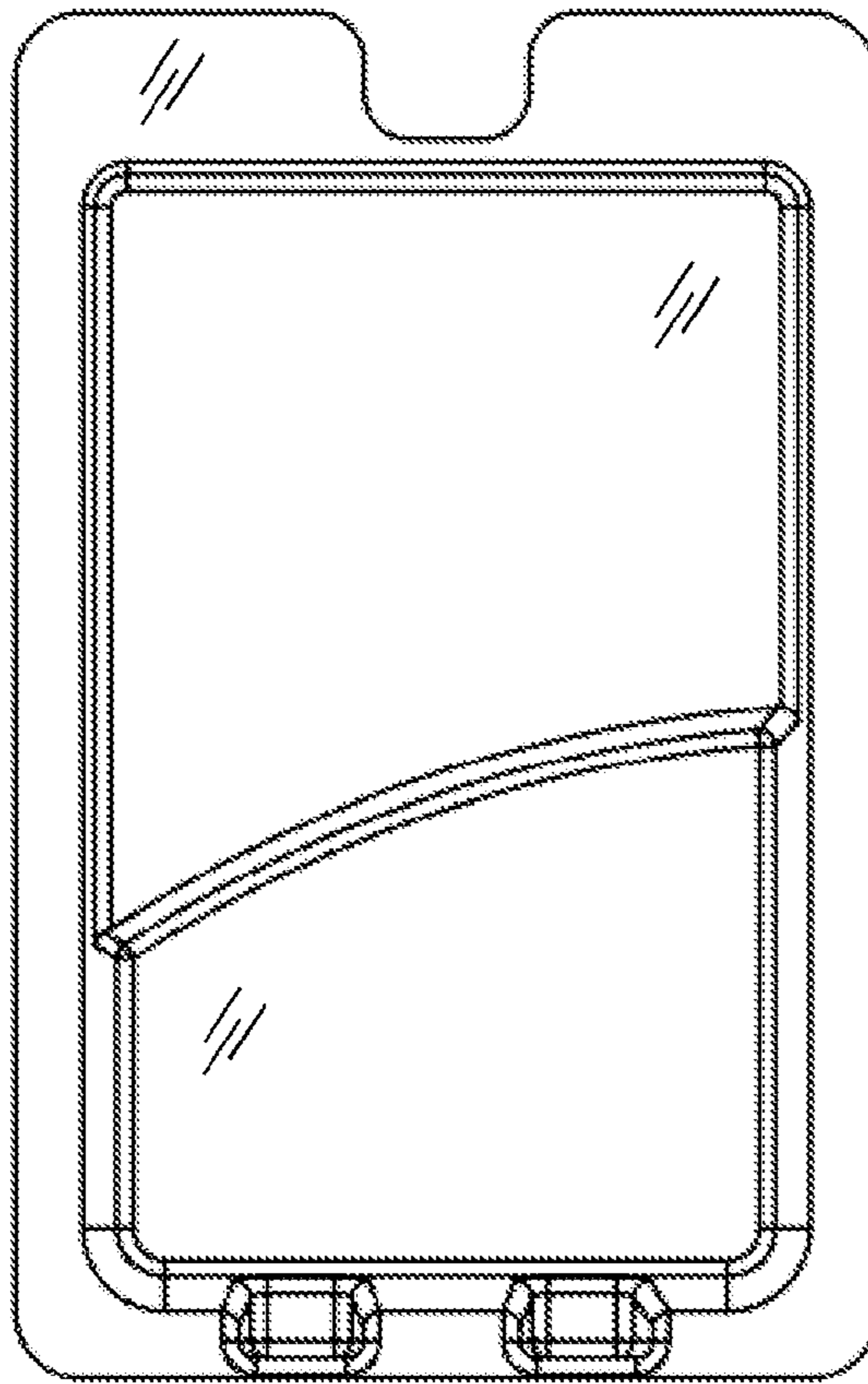


FIG. 5

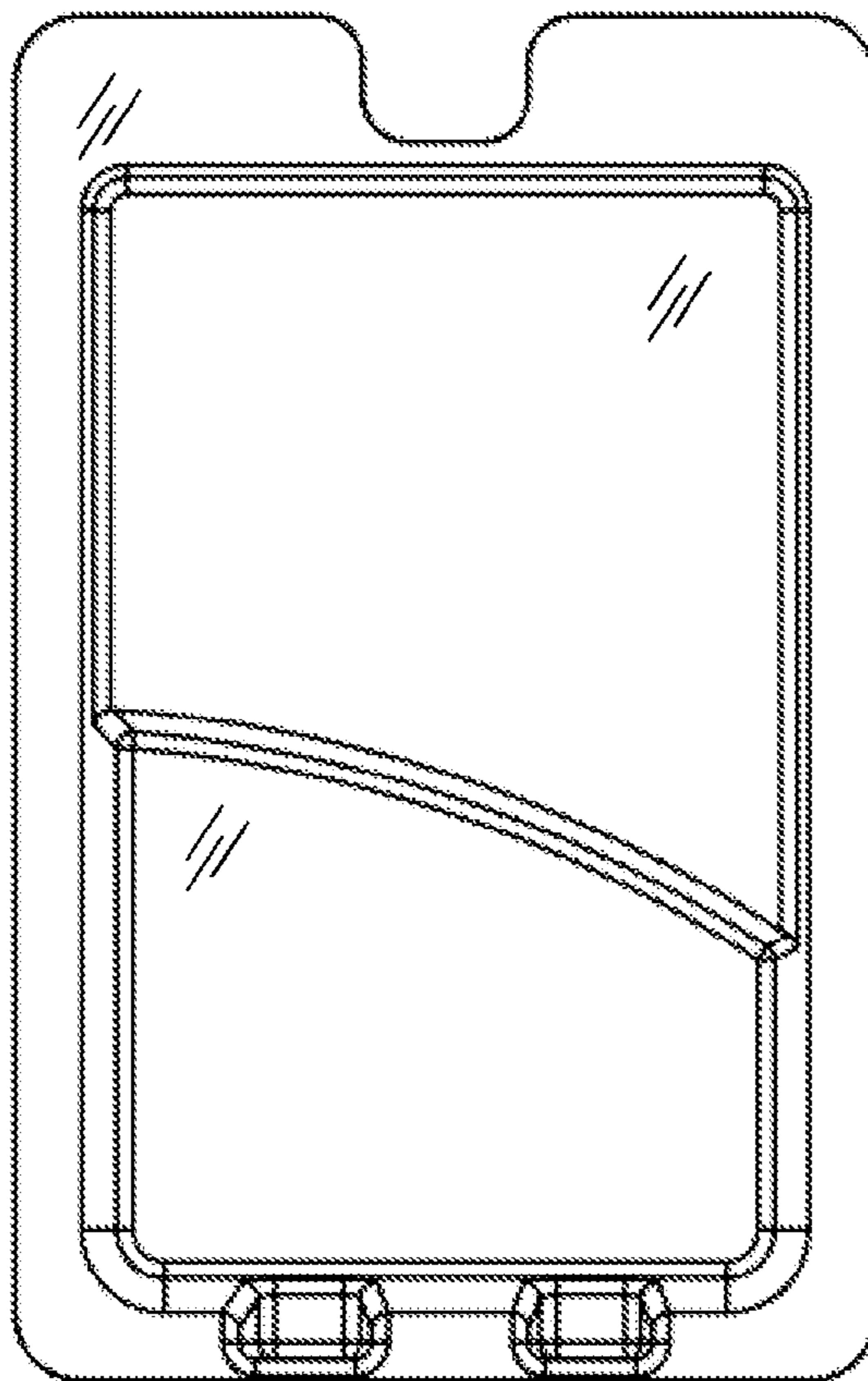


FIG. 6

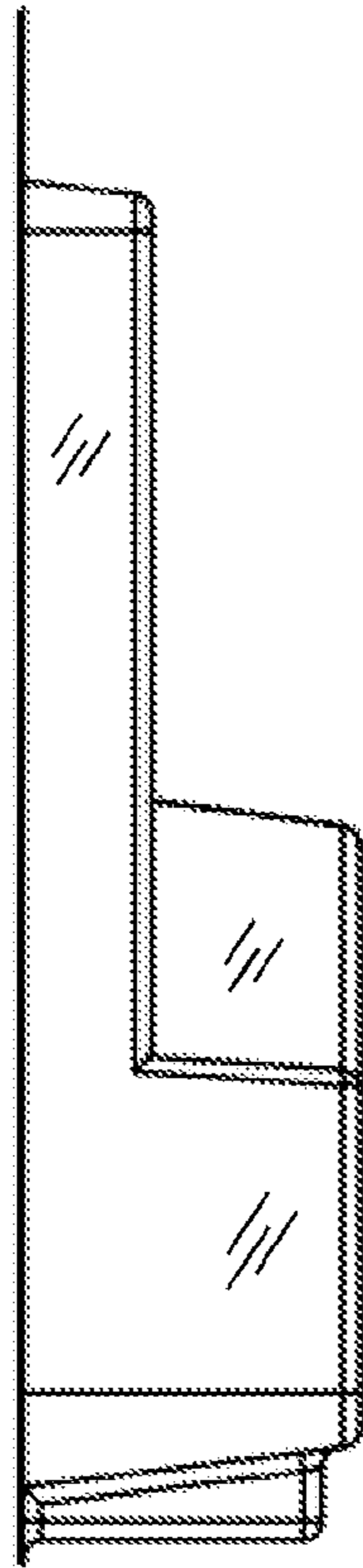


FIG. 7

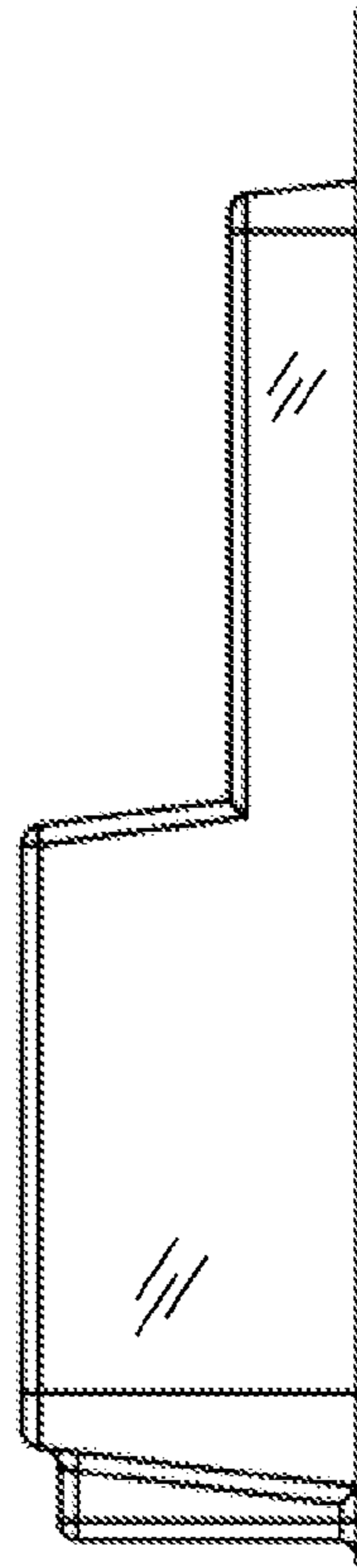


FIG. 8

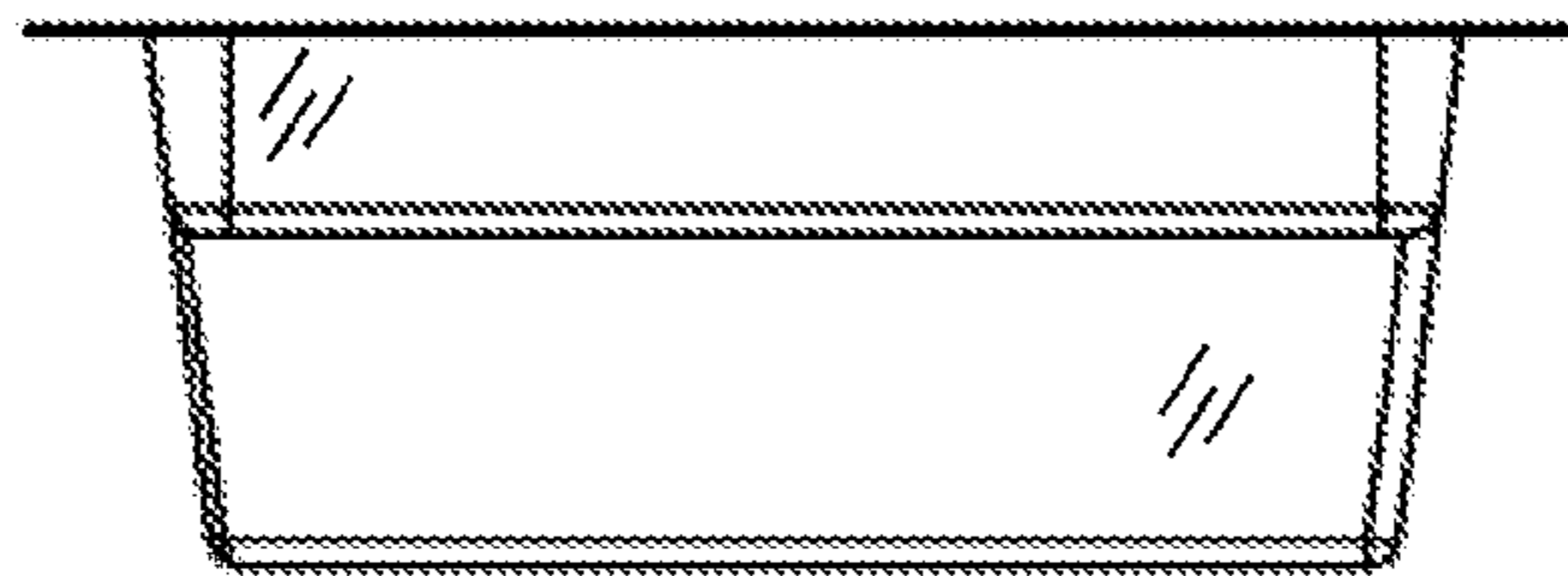


FIG. 9

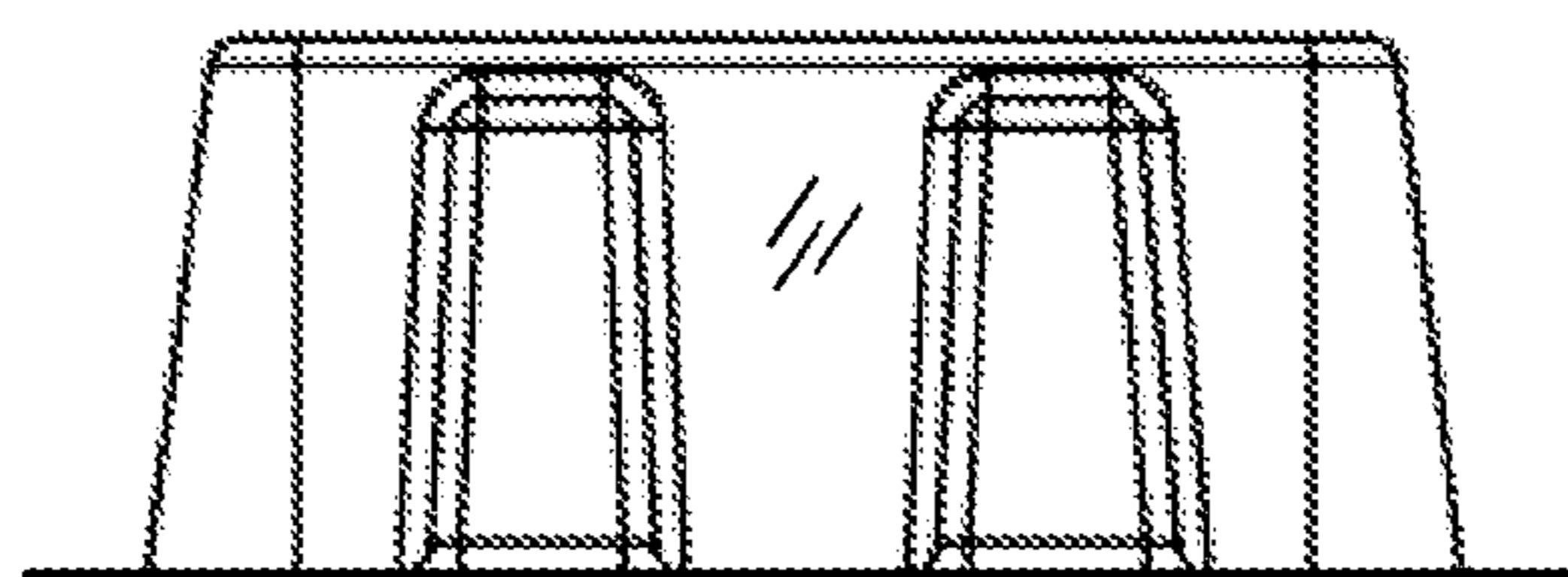


FIG. 10