

US00D697395S

(12) **United States Design Patent**
Adams

(10) **Patent No.:** **US D697,395 S**
(45) **Date of Patent:** **** Jan. 14, 2014**

(54) **ANCHOR FOR BLANKET**
(76) Inventor: **Dawn Adams**, Brooklyn, NY (US)
(**) Term: **14 Years**
(21) Appl. No.: **29/417,459**
(22) Filed: **Apr. 4, 2012**
(51) **LOC (10) Cl.** **08-08**
(52) **U.S. Cl.**
USPC **D8/395; D8/387**
(58) **Field of Classification Search**
USPC D8/394-396, 72, 367, 373, 387;
D19/56, 65, 86; 24/67.3; D32/60-64;
D28/40
See application file for complete search history.

7,159,256 B1 * 1/2007 Licari 5/417
D550,072 S * 9/2007 Ardern D8/387
D552,461 S * 10/2007 Oas D8/395
7,309,198 B1 * 12/2007 Brown 410/101
D564,679 S * 3/2008 Lax D25/134
D593,609 S * 6/2009 Blau D19/65
D599,651 S * 9/2009 Riggsbee D8/395
D630,834 S * 1/2011 Cohen D3/10
D649,030 S * 11/2011 Austin, III D8/387
D658,046 S * 4/2012 Austin, III D8/385
2006/0060749 A1 * 3/2006 Dahlstrom 248/545
2007/0128958 A1 * 6/2007 Richardi 441/6

* cited by examiner

Primary Examiner — John Windmuller
(74) *Attorney, Agent, or Firm* — Edwards Wildman Palmer
LLP; David J. Silvia; Adam P. Daniels

(57) **CLAIM**
The ornamental design for an anchor for blanket, as shown
and described.

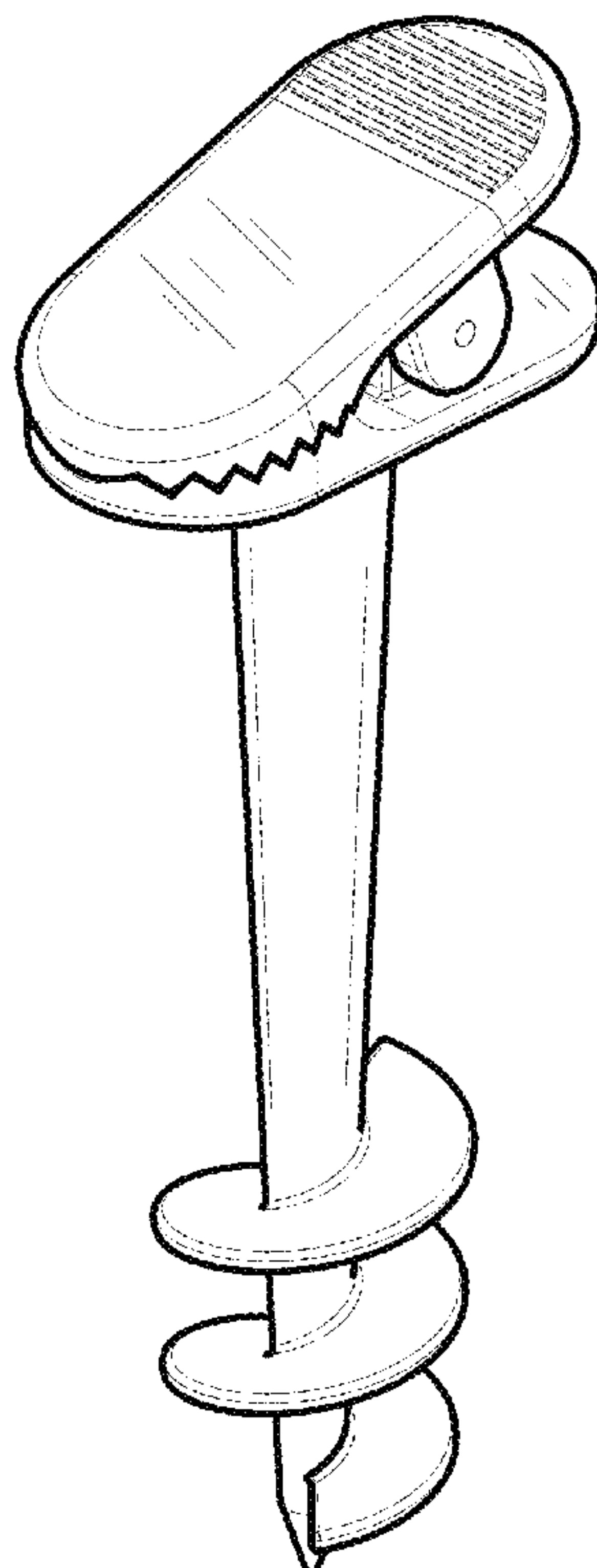
(56) **References Cited**
U.S. PATENT DOCUMENTS

2,939,468 A * 6/1960 Boyce 248/508
D302,568 S * 8/1989 Berger D19/65
D306,876 S * 3/1990 Greenhut et al. D19/65
5,358,209 A * 10/1994 Ward 248/545
5,457,918 A * 10/1995 Plourde 52/165
5,524,309 A * 6/1996 La Barbera 5/658
D378,052 S * 2/1997 Perreault D8/387
5,713,383 A * 2/1998 Ramirez et al. 135/118
D398,363 S * 9/1998 LoBue D21/840
5,832,672 A * 11/1998 Griffiths et al. 52/4
D421,532 S * 3/2000 Koroncai D6/417
6,321,861 B1 * 11/2001 Leichter 175/323
D492,586 S * 7/2004 Rimer, Jr. D8/393

DESCRIPTION

FIG. 1 is a front perspective view of the invention.
FIG. 2 is a rear perspective view thereof.
FIG. 3 is a front view thereof.
FIG. 4 is a left side view thereof.
FIG. 5 is a back view thereof.
FIG. 6 is a right side view thereof.
FIG. 7 is a top view thereof; and,
FIG. 8 is a bottom view thereof.
The broken lines in FIG. 5 depict portions of the anchor that
form no part of the claimed design.

1 Claim, 4 Drawing Sheets



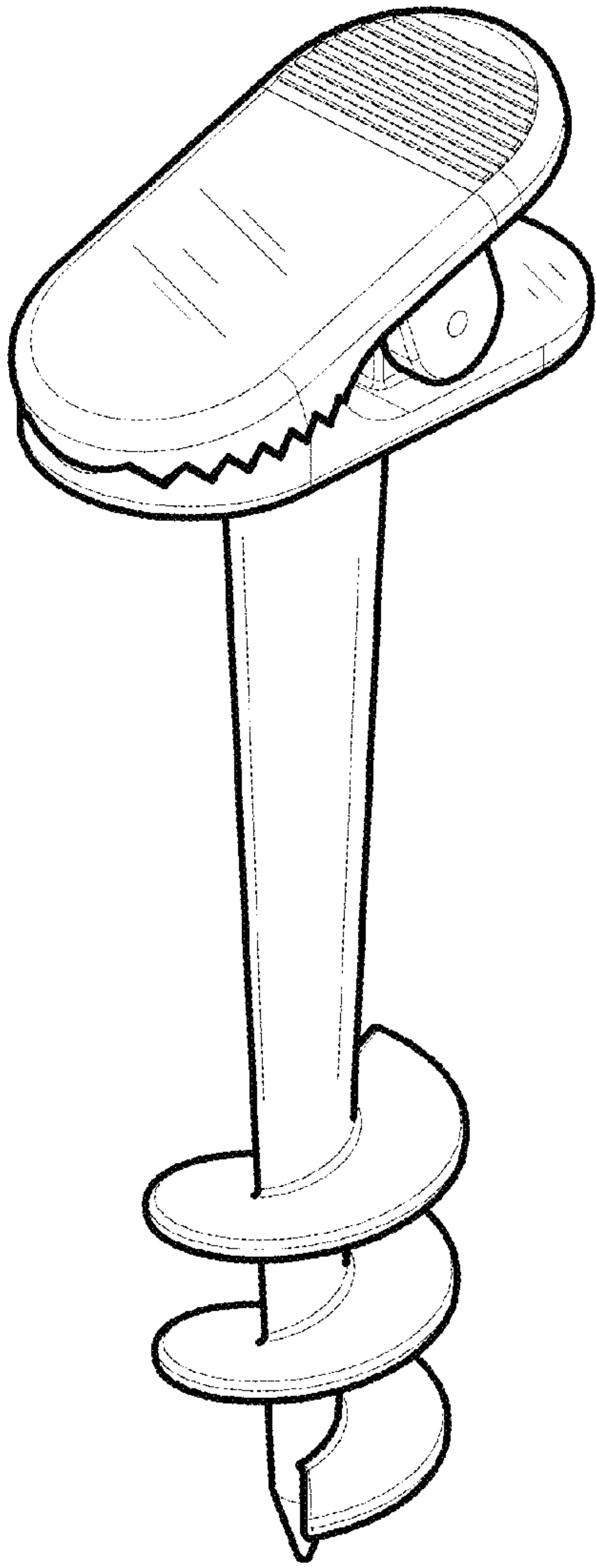


Figure 1

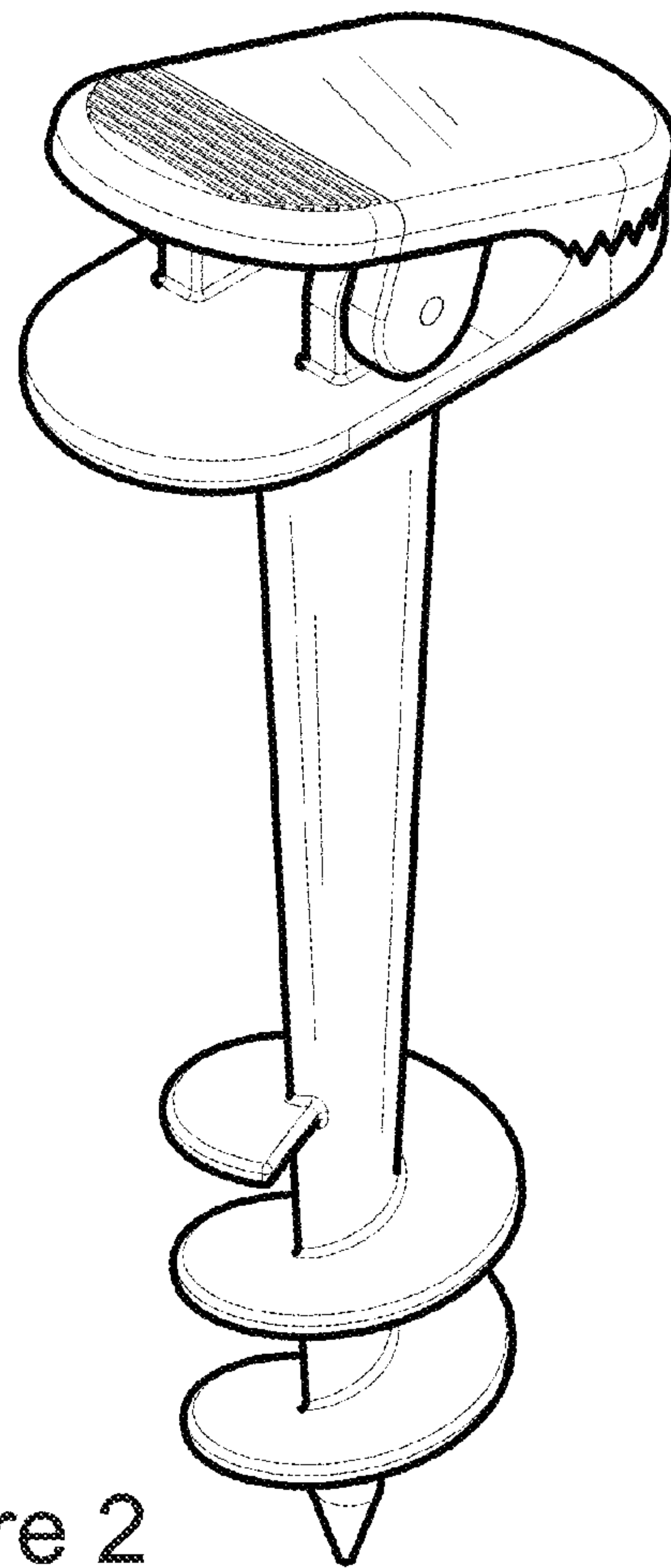


Figure 2

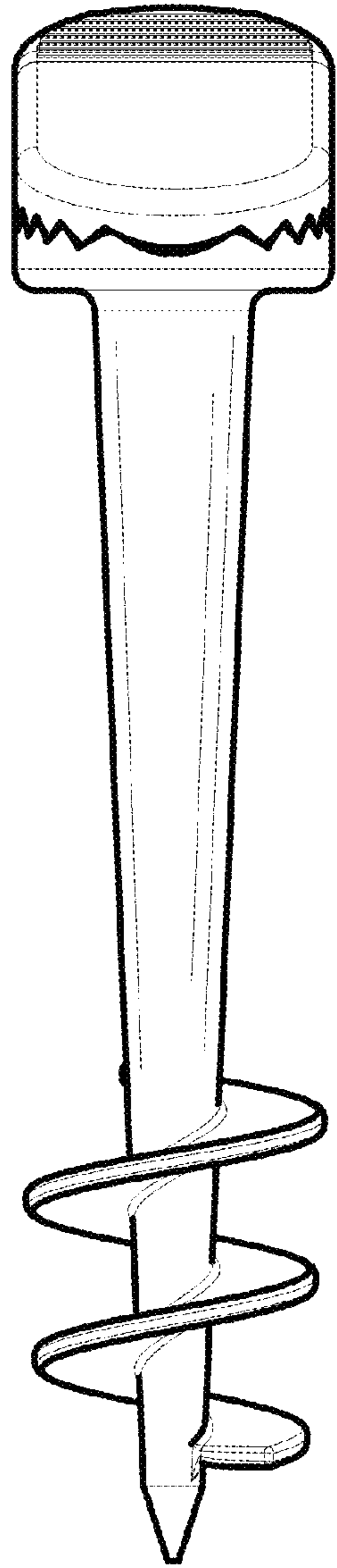


Figure 3

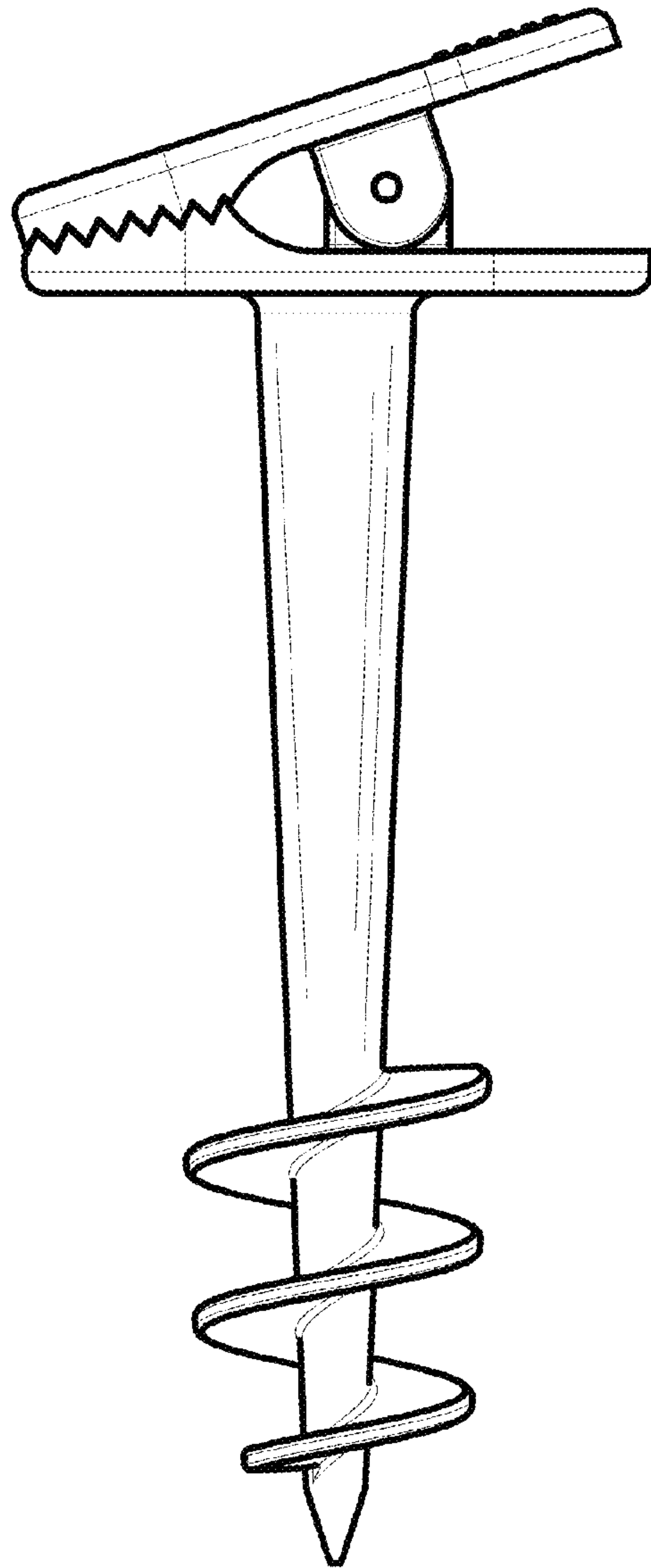


Figure 4

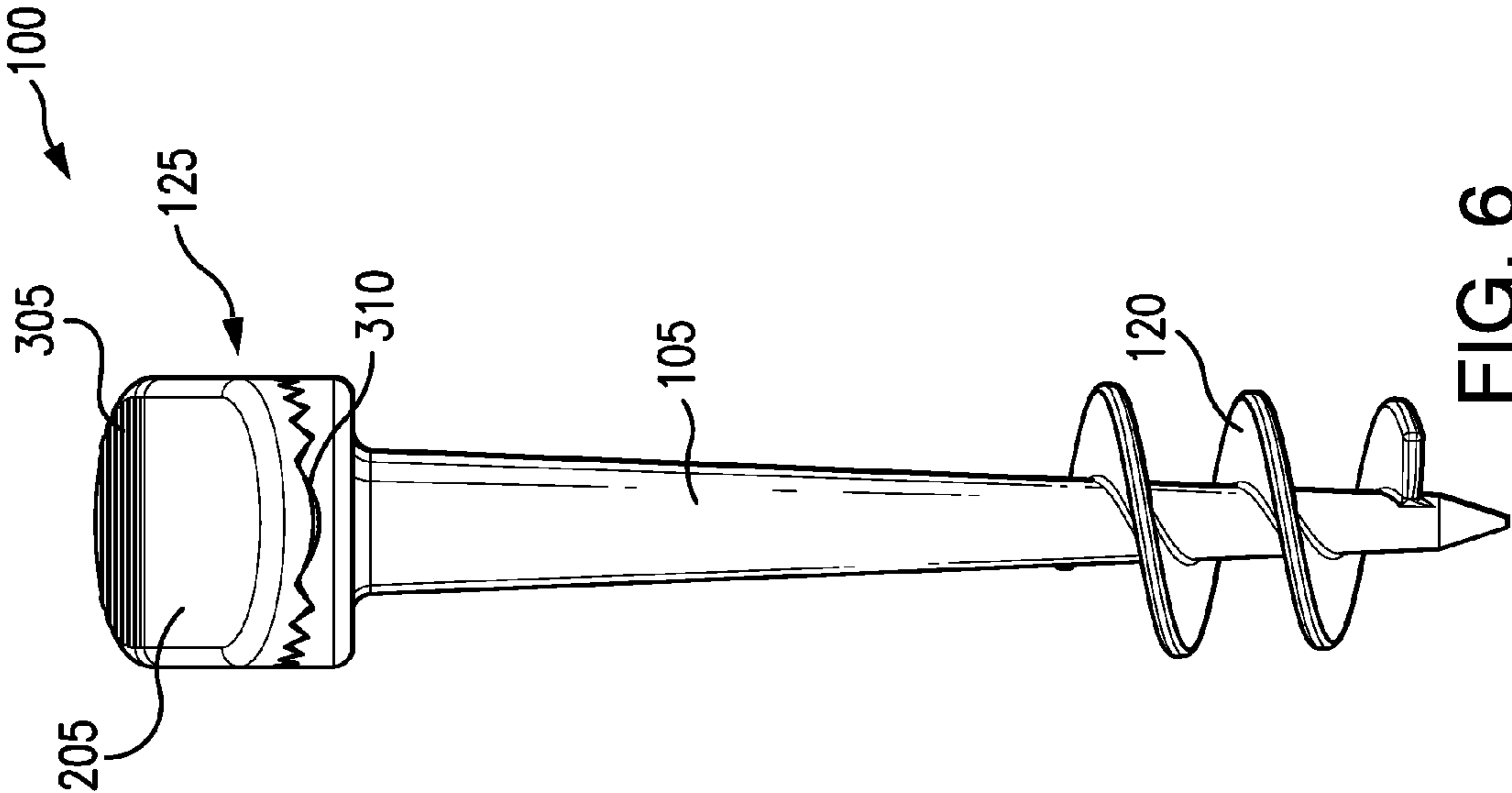


FIG. 6

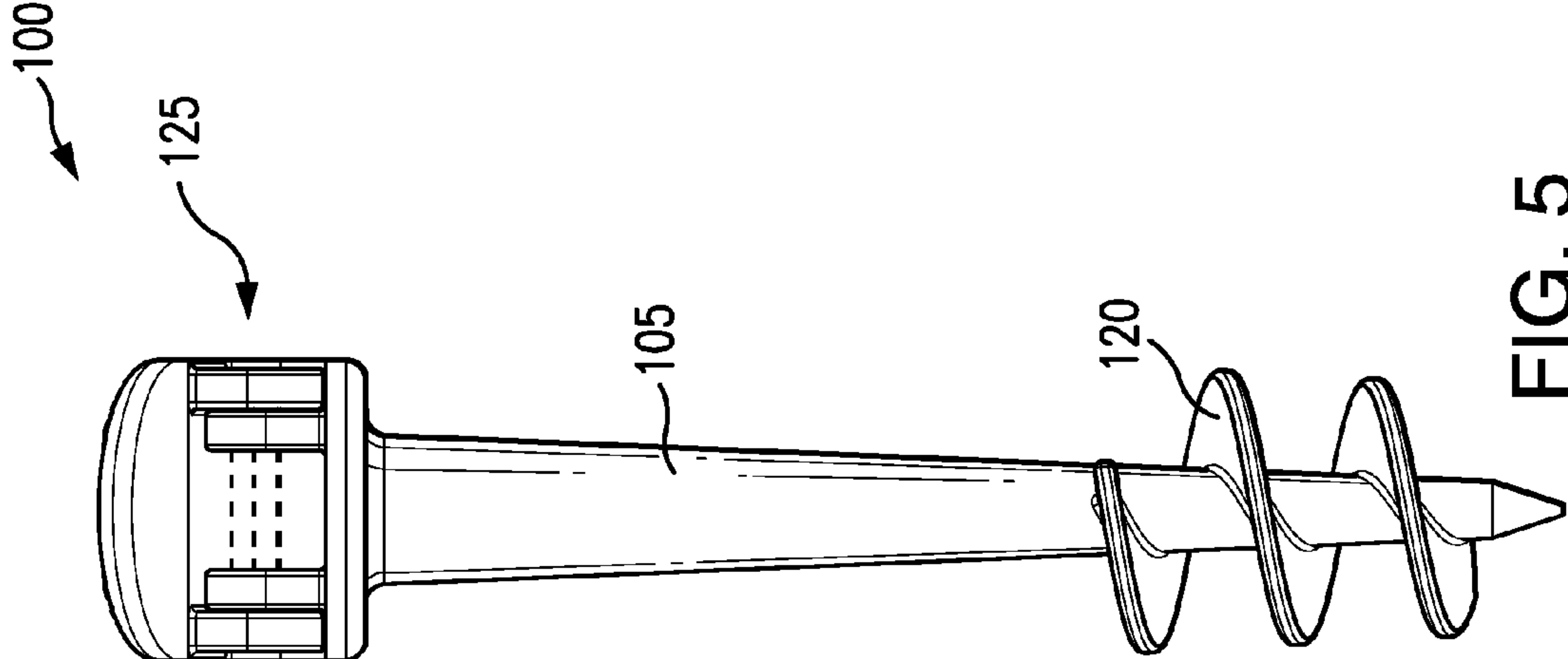


FIG. 5

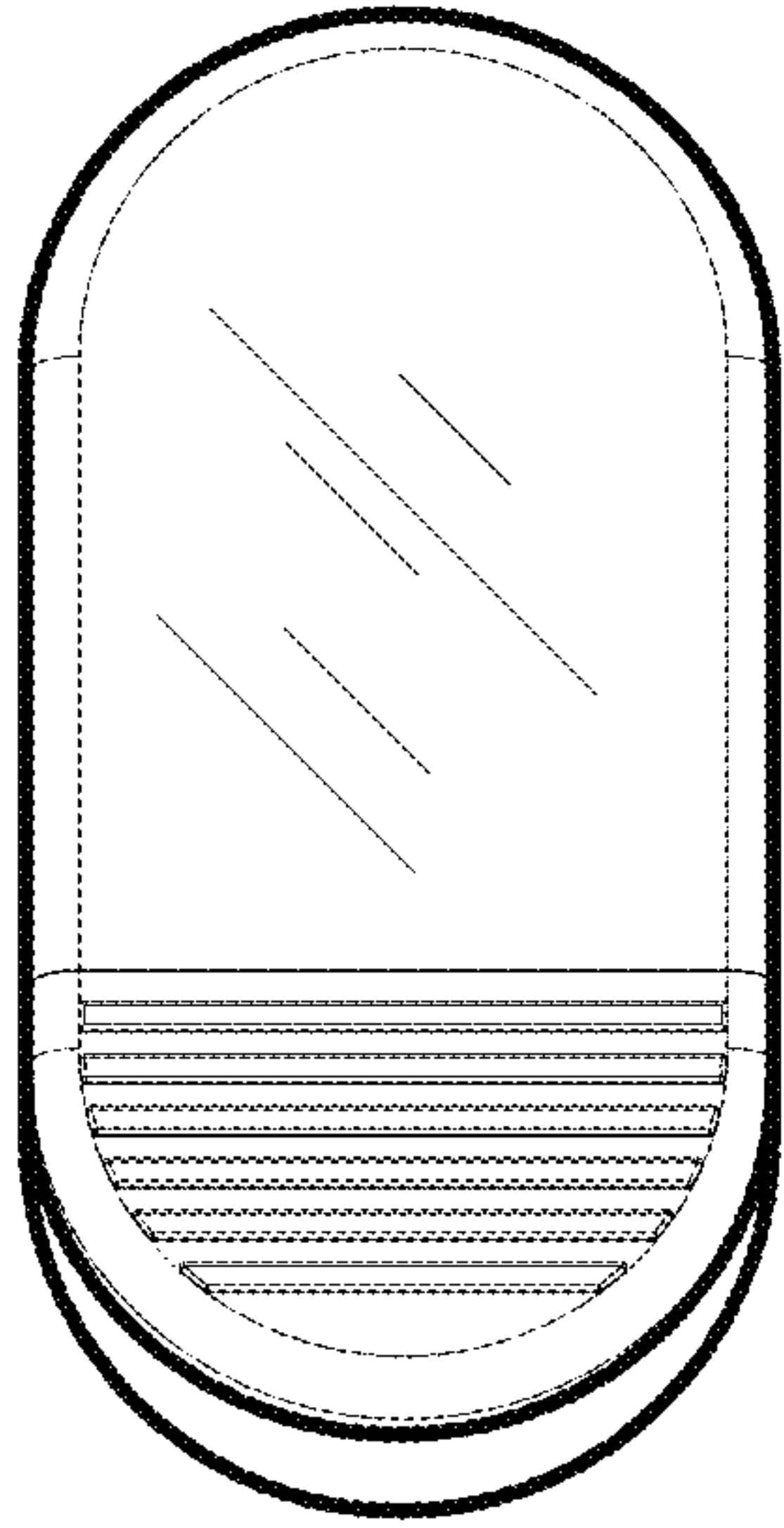


Figure 7

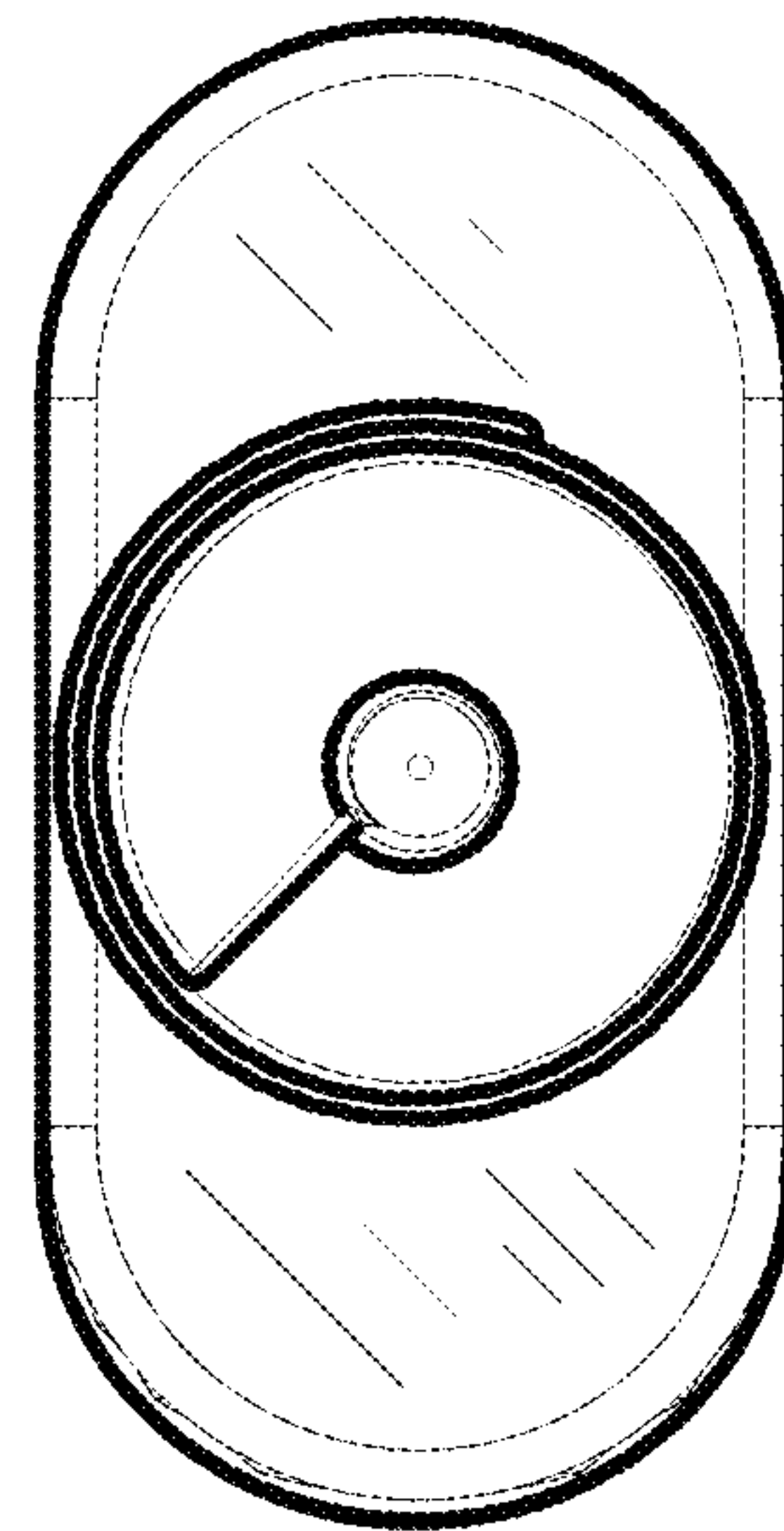


Figure 8