



US00D697391S

(12) **United States Design Patent**
Le

(10) **Patent No.:** **US D697,391 S**
(45) **Date of Patent:** **** Jan. 14, 2014**

(54) **SHELVING CONNECTOR**

(75) Inventor: **Johannes Le**, Huntington Beach, CA
(US)

(73) Assignee: **Cambro Manufacturing Co.**,
Huntington Beach, CA (US)

(**) Term: **14 Years**

(21) Appl. No.: **29/416,775**

(22) Filed: **Mar. 27, 2012**

(51) **LOC (10) Cl.** **08-08**

(52) **U.S. Cl.**
USPC **D8/382; D8/381**

(58) **Field of Classification Search**
USPC D8/382, 385, 386, 349, 354, 356, 381;
248/200, 300, 74.1, 475.1; 24/115 R
See application file for complete search history.

(56) **References Cited**

U.S. PATENT DOCUMENTS

D270,516 S *	9/1983	Achille	D8/354
D402,879 S *	12/1998	Beard, Jr.	D8/354
D469,338 S *	1/2003	Chace	D8/349
D616,735 S *	6/2010	Shaw et al.	D8/382
D624,764 S *	10/2010	Gates et al.	D6/381
D626,823 S *	11/2010	Wood	D8/381

D628,055 S *	11/2010	Mills	D8/382
D630,935 S *	1/2011	Jarvis	D8/381
D648,160 S *	11/2011	Le	D6/511
D651,433 S *	1/2012	Le et al.	D6/511
D653,939 S *	2/2012	Roberts	D8/382
8,376,157 B2 *	2/2013	Jarvis et al.	211/187

* cited by examiner

Primary Examiner — Sheryl Lane

(74) *Attorney, Agent, or Firm* — George F. Bethel

(57) **CLAIM**

I claim the ornamental design for a shelving connector, as shown and described.

DESCRIPTION

FIG. 1 shows a frontal perspective view of the shelving connector.

FIG. 2 shows a front elevation view.

FIG. 3 shows a right side elevation view.

FIG. 4 a shows a top plan view.

FIG. 5 shows a left side elevation view.

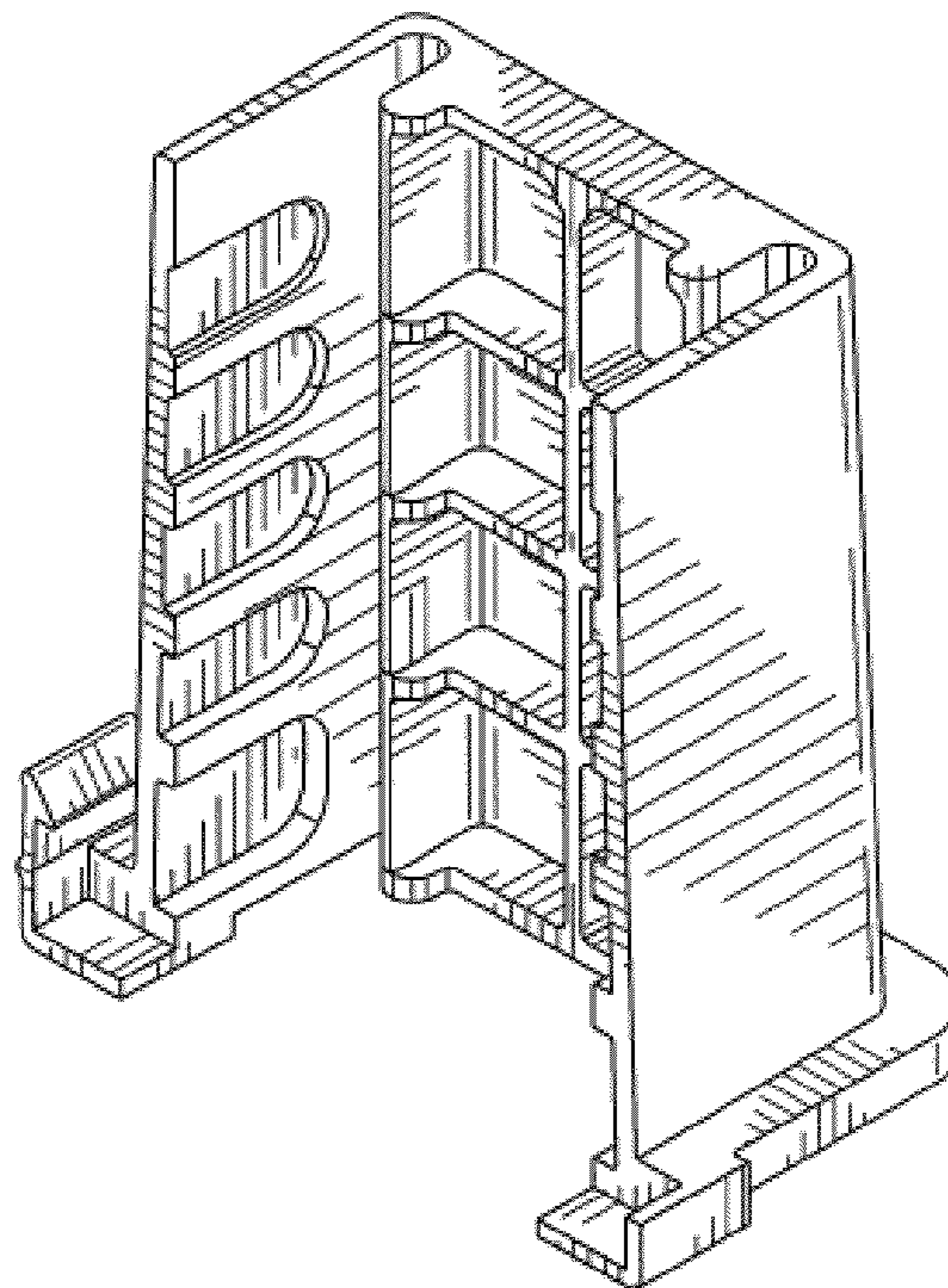
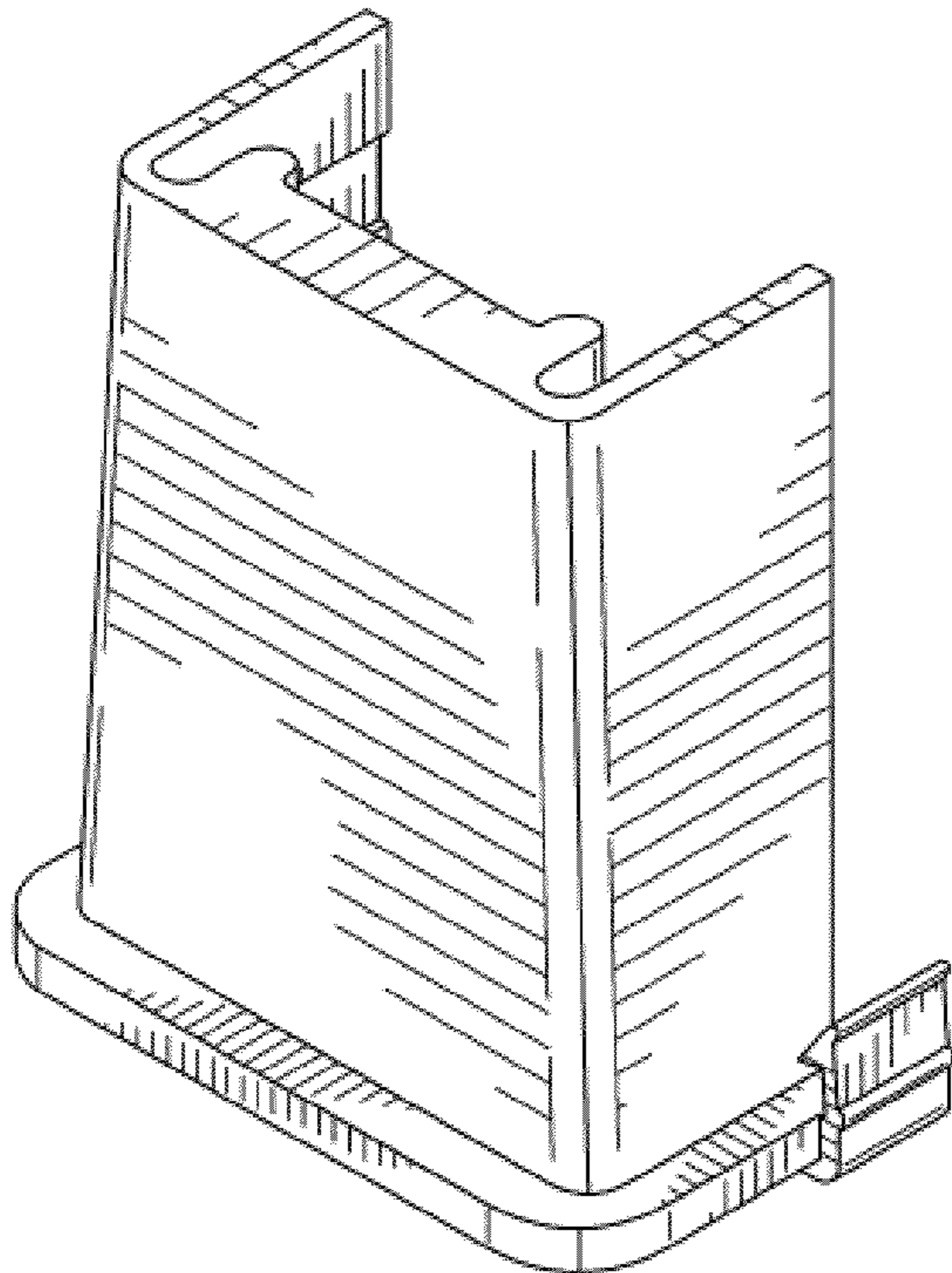
FIG. 6 shows a rear elevation view.

FIG. 7 shows a bottom plan view.

FIG. 8 shows a left hand rear perspective view; and,

FIG. 9 shows the shelving connector in an exploded view of the environment in which used.

1 Claim, 5 Drawing Sheets



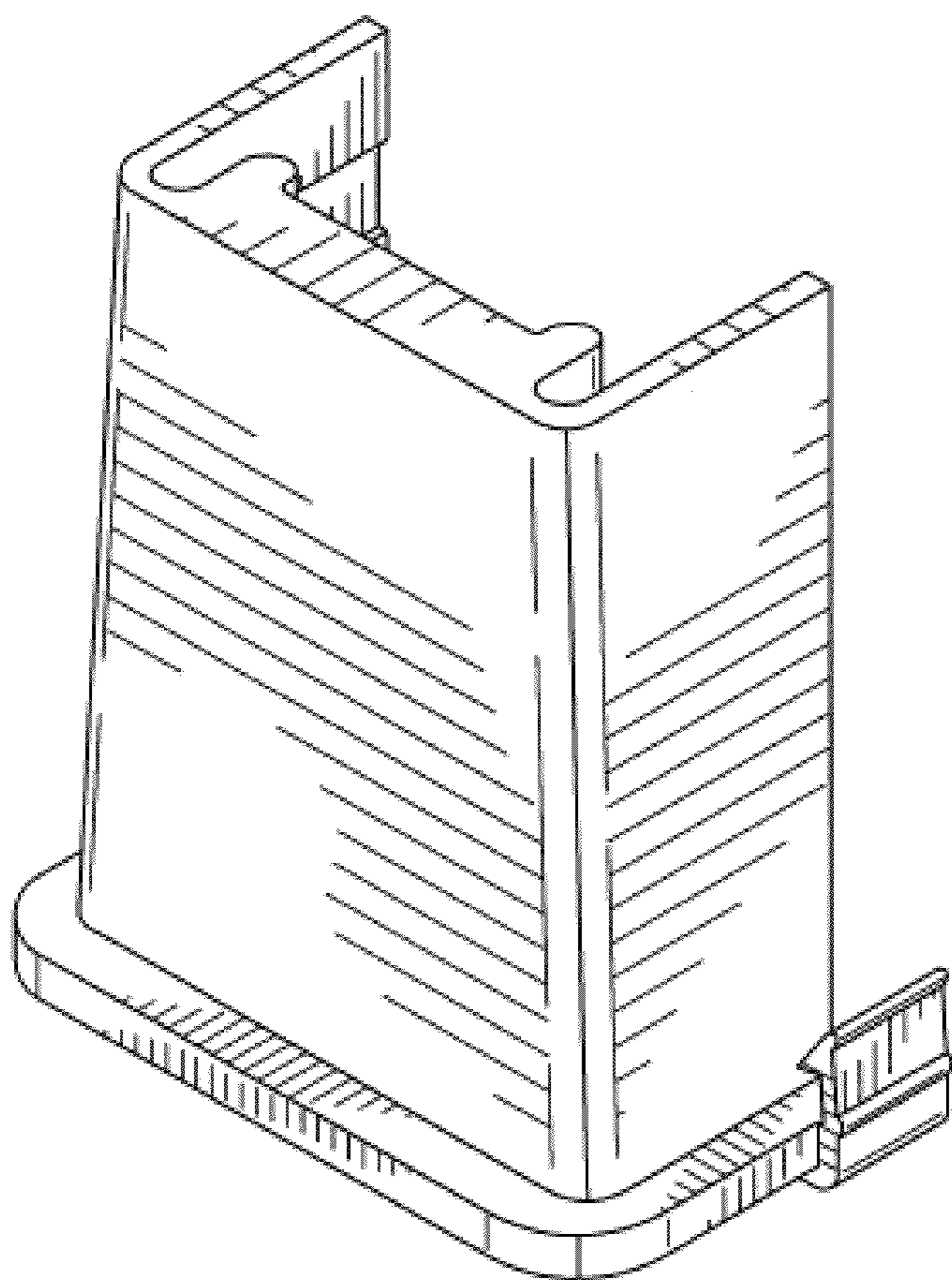


FIG. 1

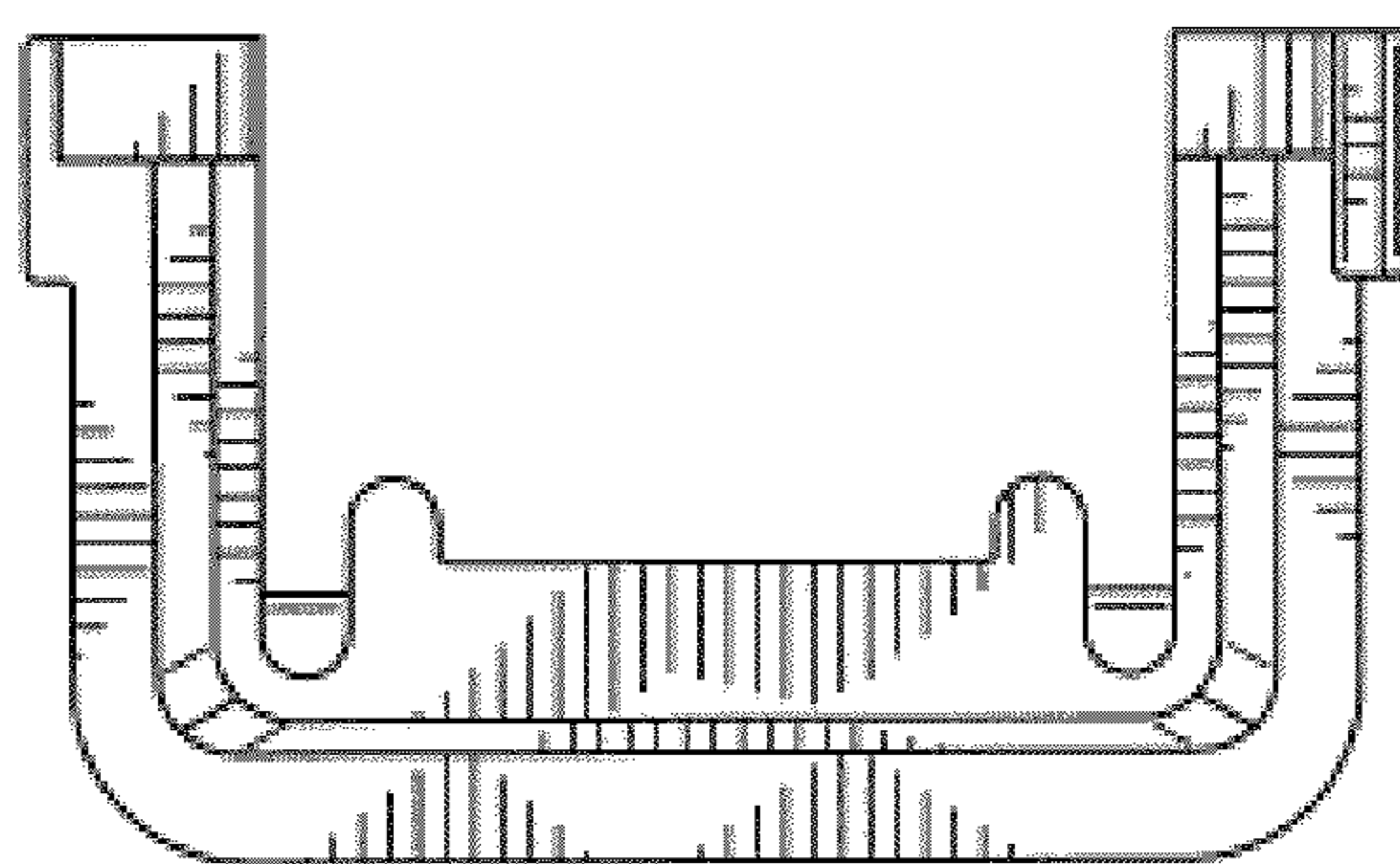


FIG. 4

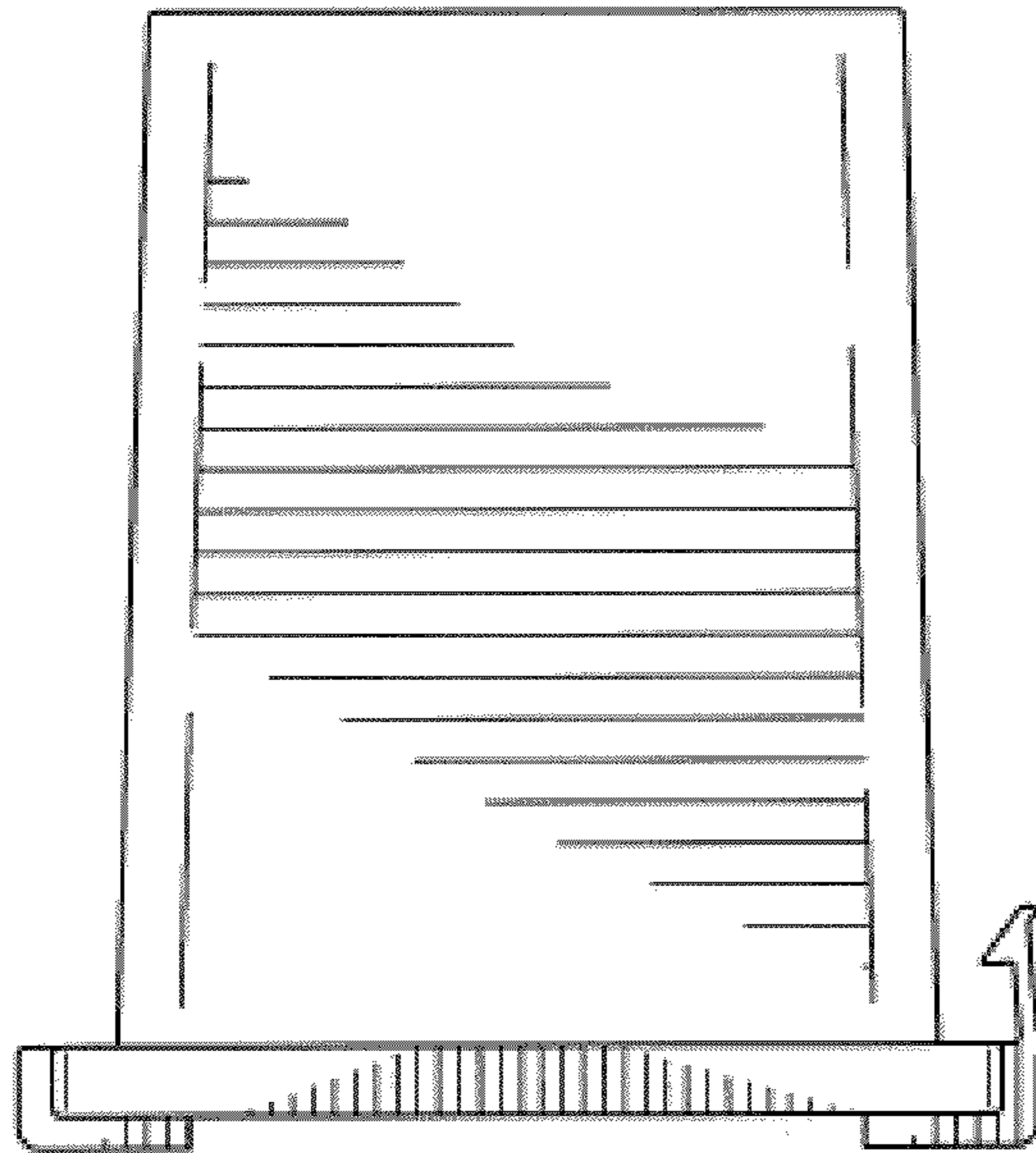


FIG. 2

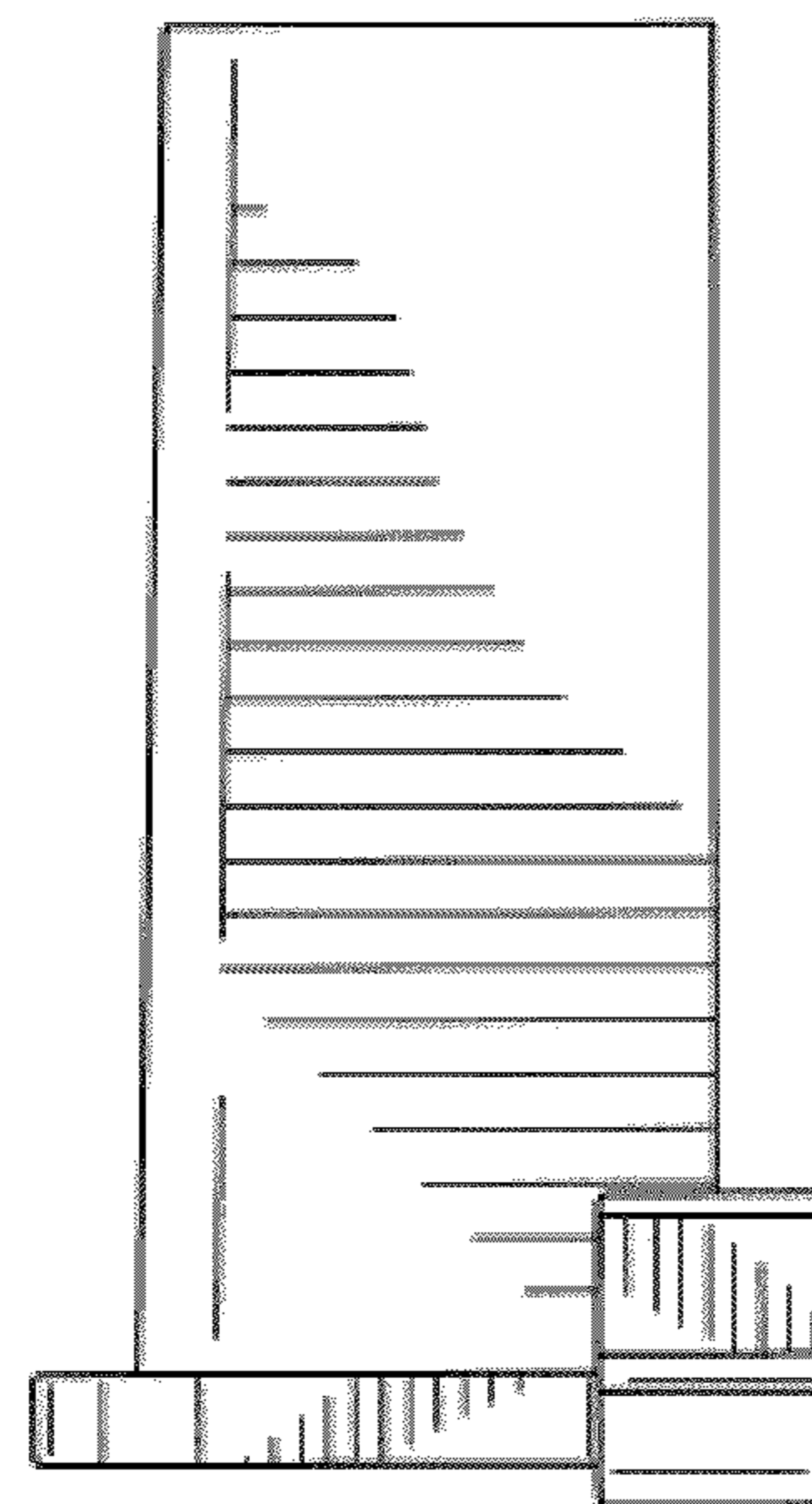


FIG. 3

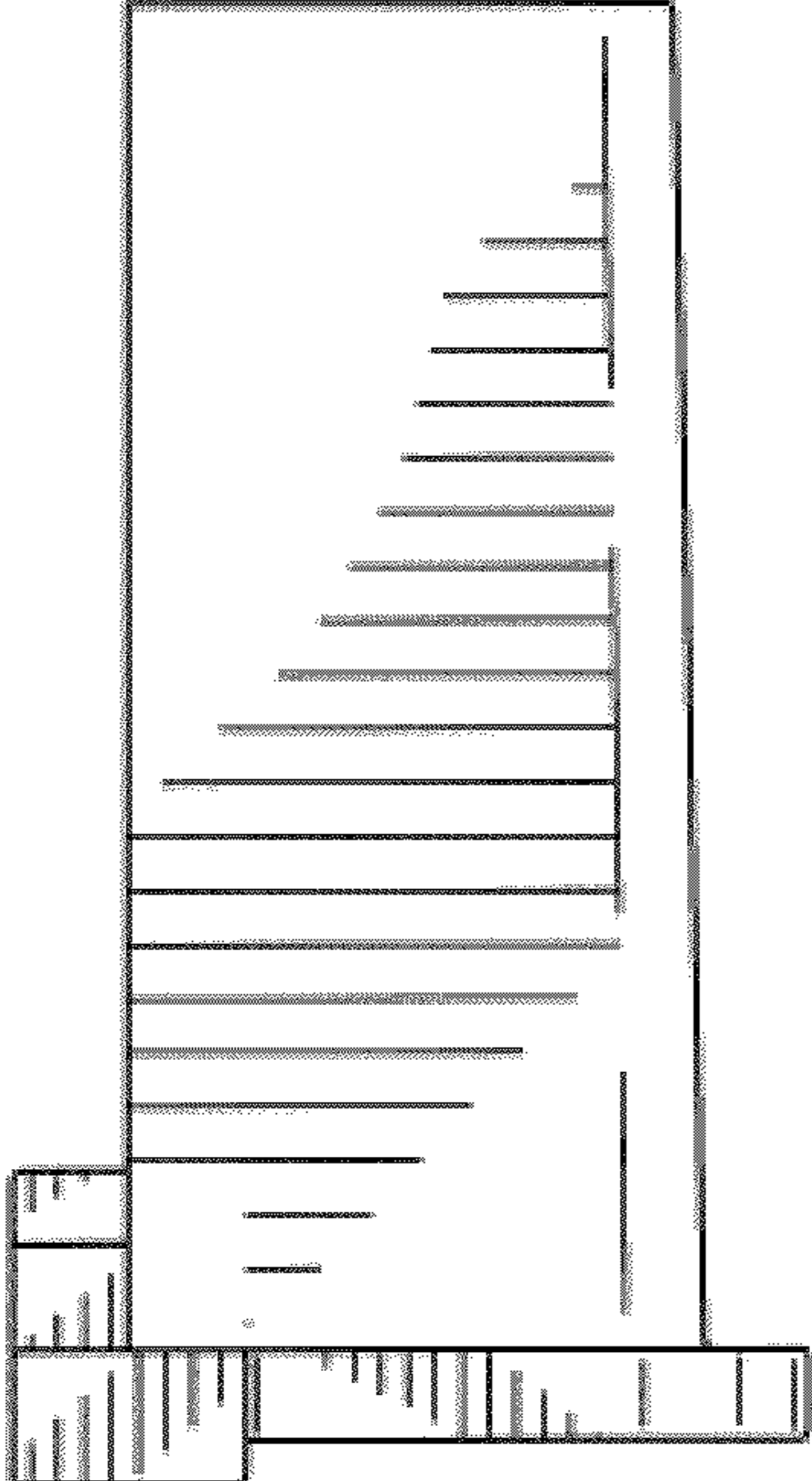


FIG. 5

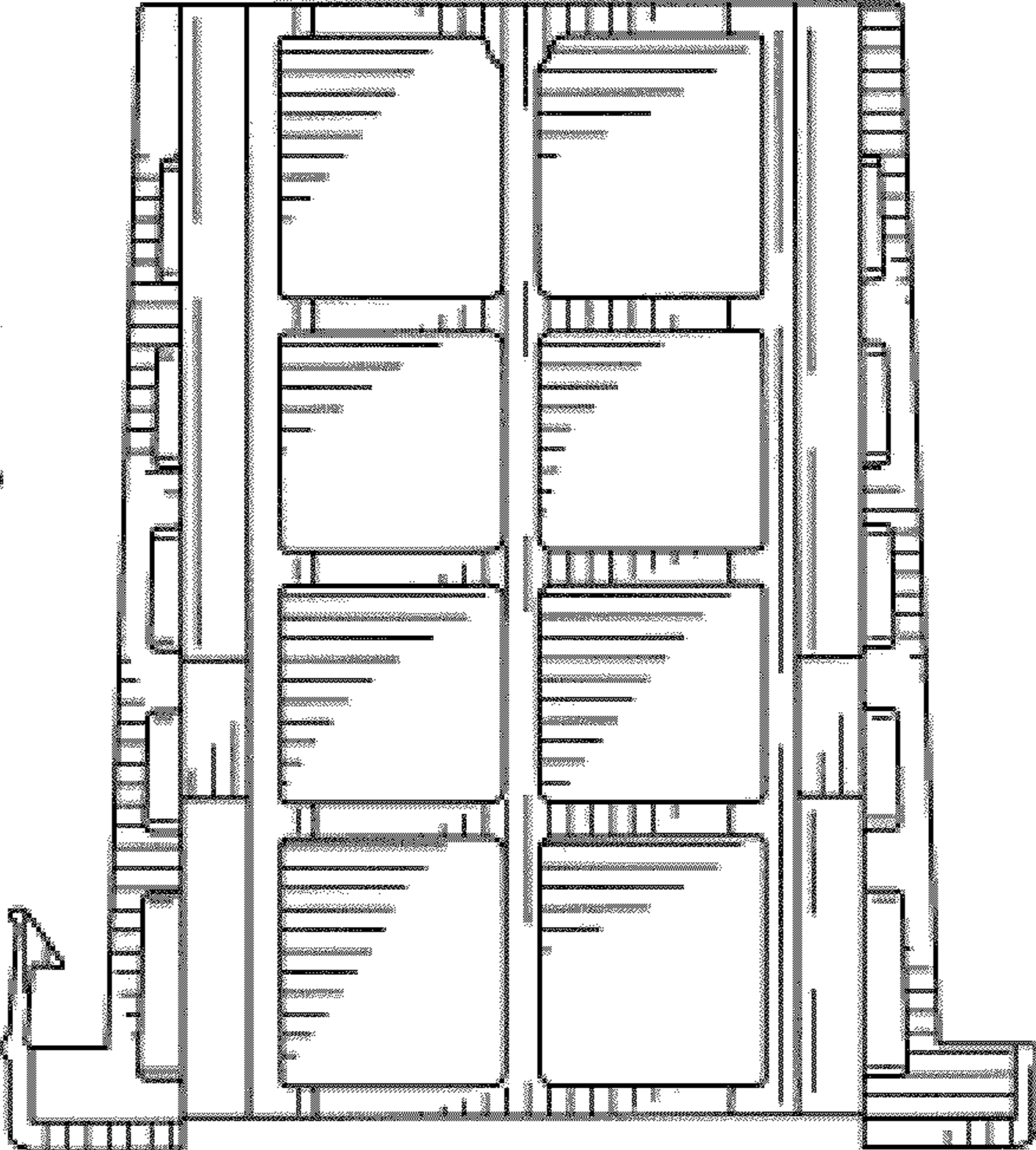


FIG. 6

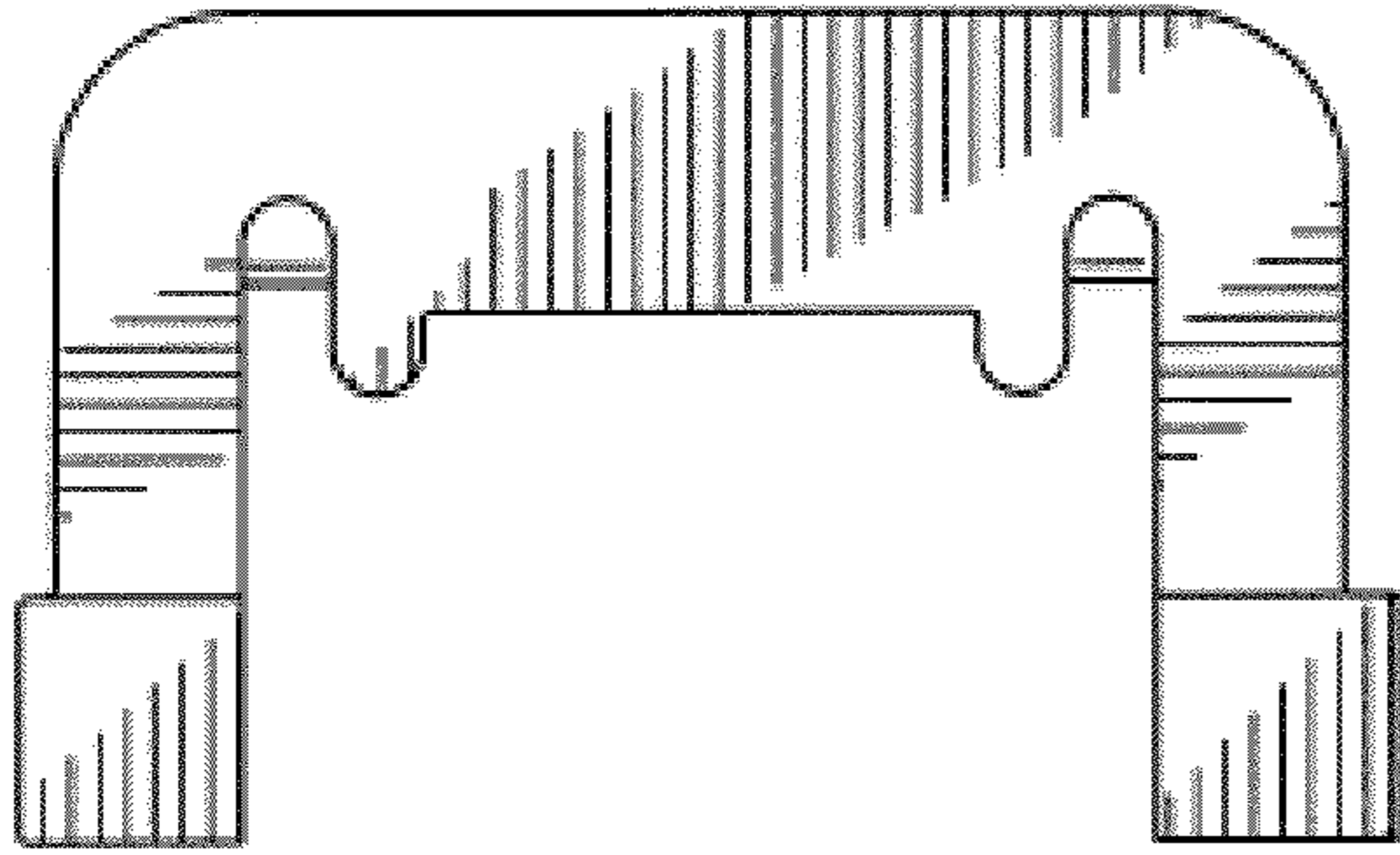
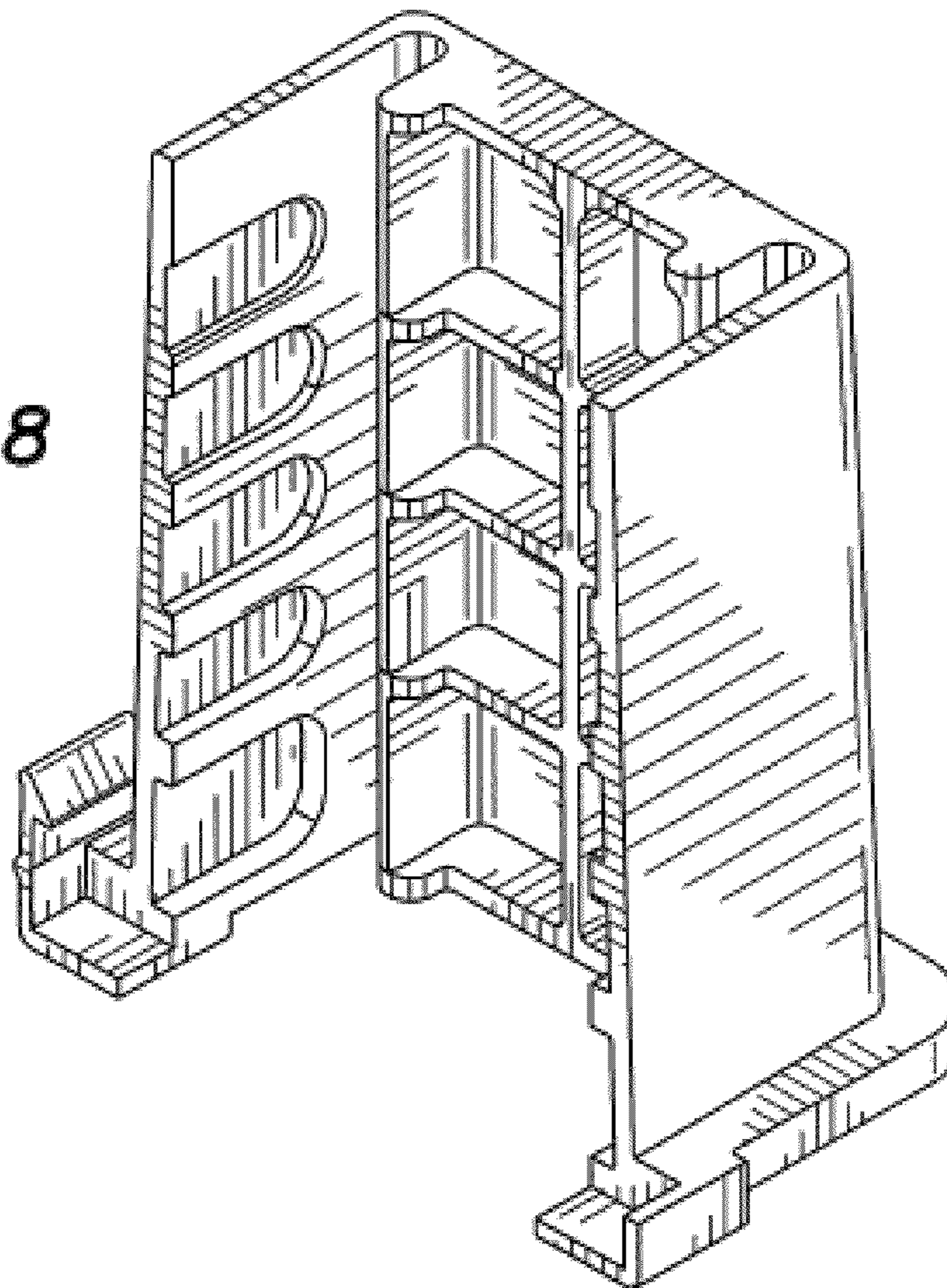


FIG. 7

FIG. 8



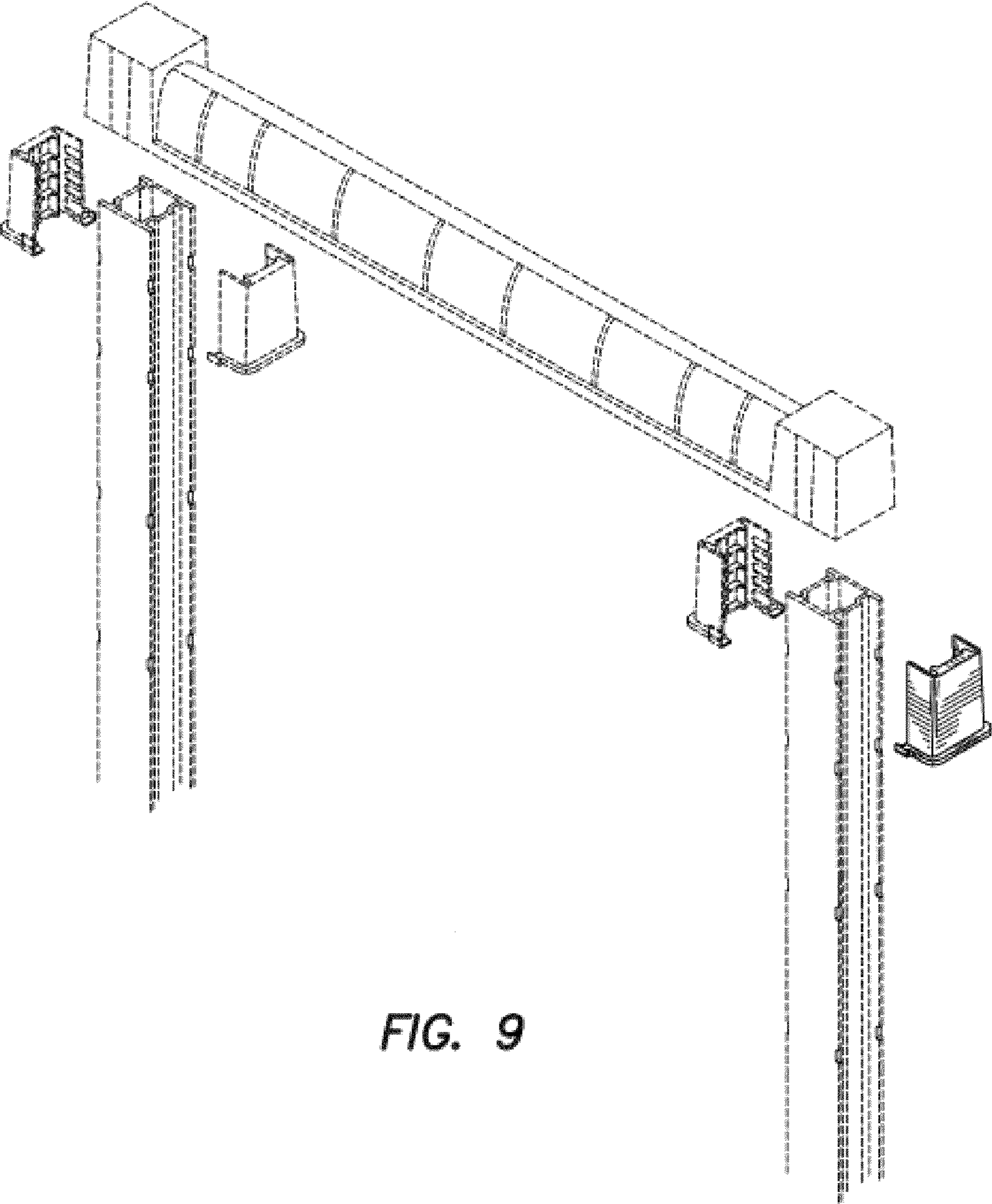


FIG. 9