



US00D697390S

(12) **United States Design Patent**
Petry

(10) **Patent No.:** **US D697,390 S**

(45) **Date of Patent:** **** Jan. 14, 2014**

(54) **SHEET PILE CONNECTOR FOR
CONNECTING SHEET PILES**

(75) **Inventor:** **Martin Petry, Castrop-Rauxel (DE)**

(73) **Assignee:** **PilePro LLC, Austin, TX (US)**

(**) **Term:** **14 Years**

(21) **Appl. No.:** **29/406,734**

(22) **Filed:** **Nov. 18, 2011**

(51) **LOC (10) Cl.** **08-08**

(52) **U.S. Cl.**
USPC **D8/382**

(58) **Field of Classification Search**
USPC D8/382, 349, 394-395; D25/119, 61;
405/279, 278; 24/573.09, 346, 370;
D1/100, 109, 126, 119, 121

See application file for complete search history.

(56) **References Cited**

U.S. PATENT DOCUMENTS

D447,252 S *	8/2001	Gardner	D25/136
D621,246 S *	8/2010	Heindl	D8/382
D640,532 S *	6/2011	Austro	D8/382
D680,595 S *	4/2013	Riley	D21/540

* cited by examiner

Primary Examiner — Sheryl Lane

(74) *Attorney, Agent, or Firm* — Merchant & Gould P.C.

(57) **CLAIM**

The ornamental design for a sheet pile connector for connecting sheet piles, as shown and described.

DESCRIPTION

FIG. 1 is a perspective view of the sheet pile connector for connecting sheet piles, according to my design.

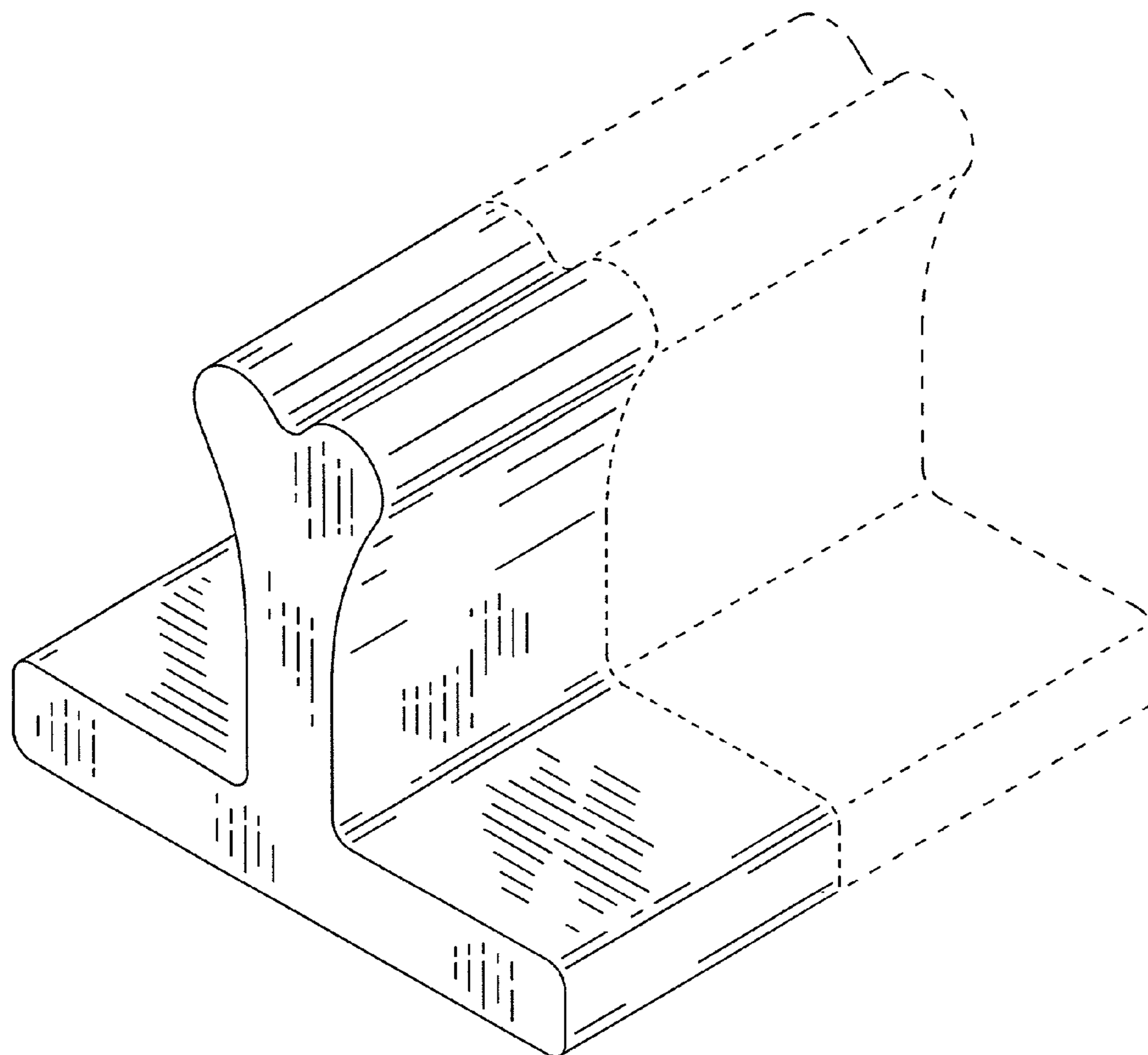
FIG. 2 is an end view of the sheet pile connector of FIG. 1.

FIG. 3 is a side view of the sheet pile connector of FIG. 1.

FIG. 4 is a top view of the sheet pile connector of FIG. 1; and,

FIG. 5 is a bottom view of the sheet pile connector of FIG. 1.

1 Claim, 5 Drawing Sheets



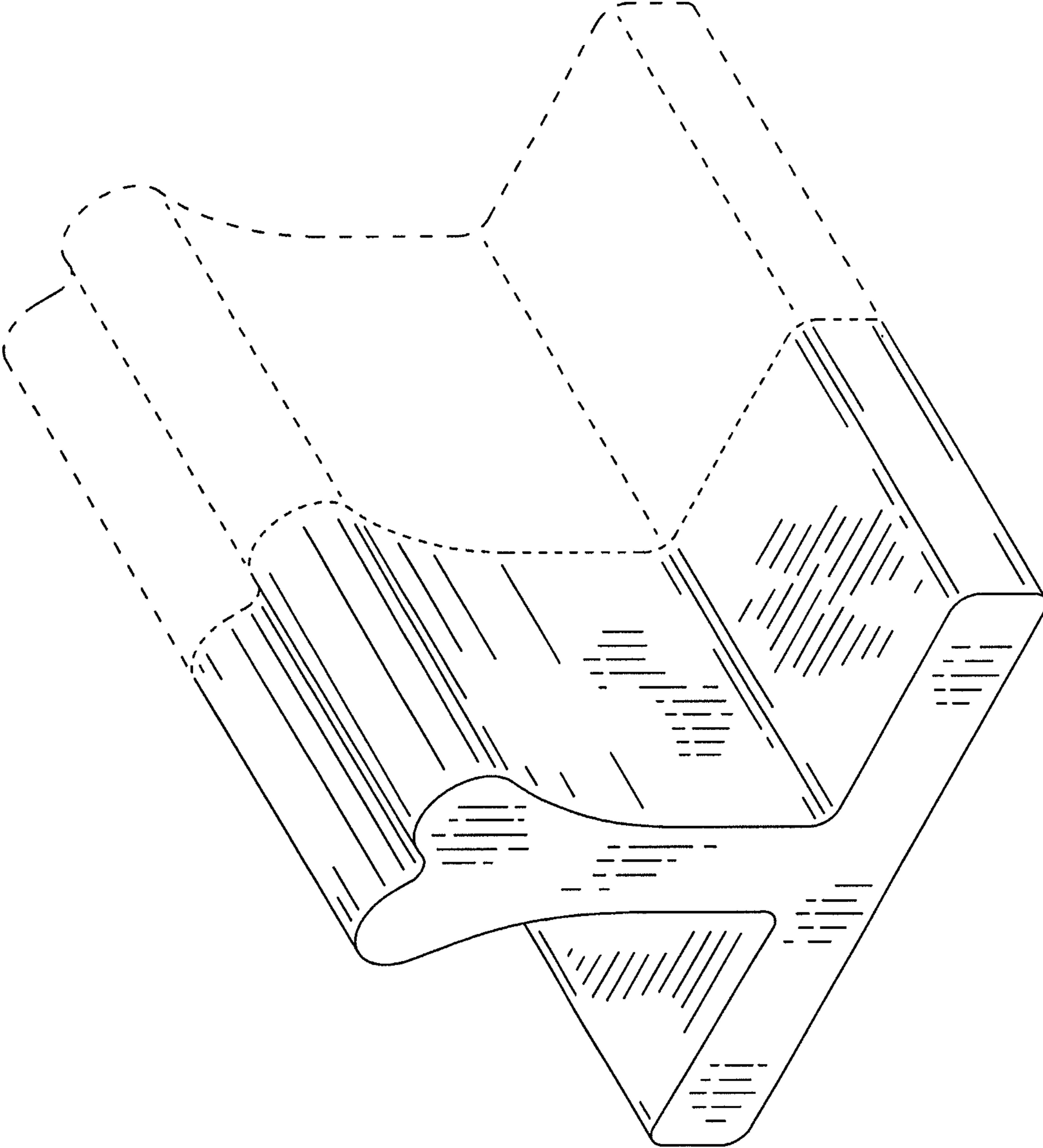


FIG. 1

FIG. 2

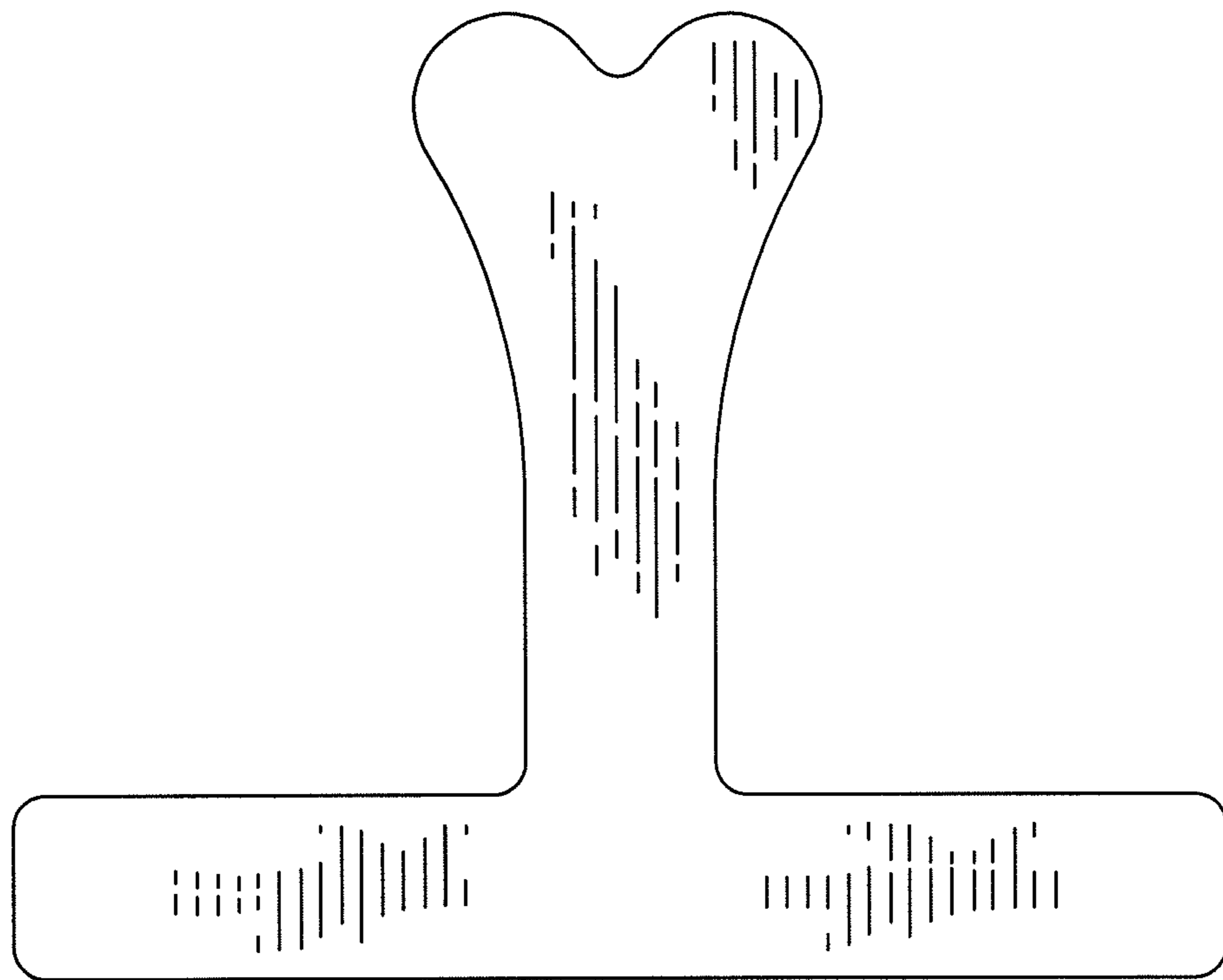


FIG. 3

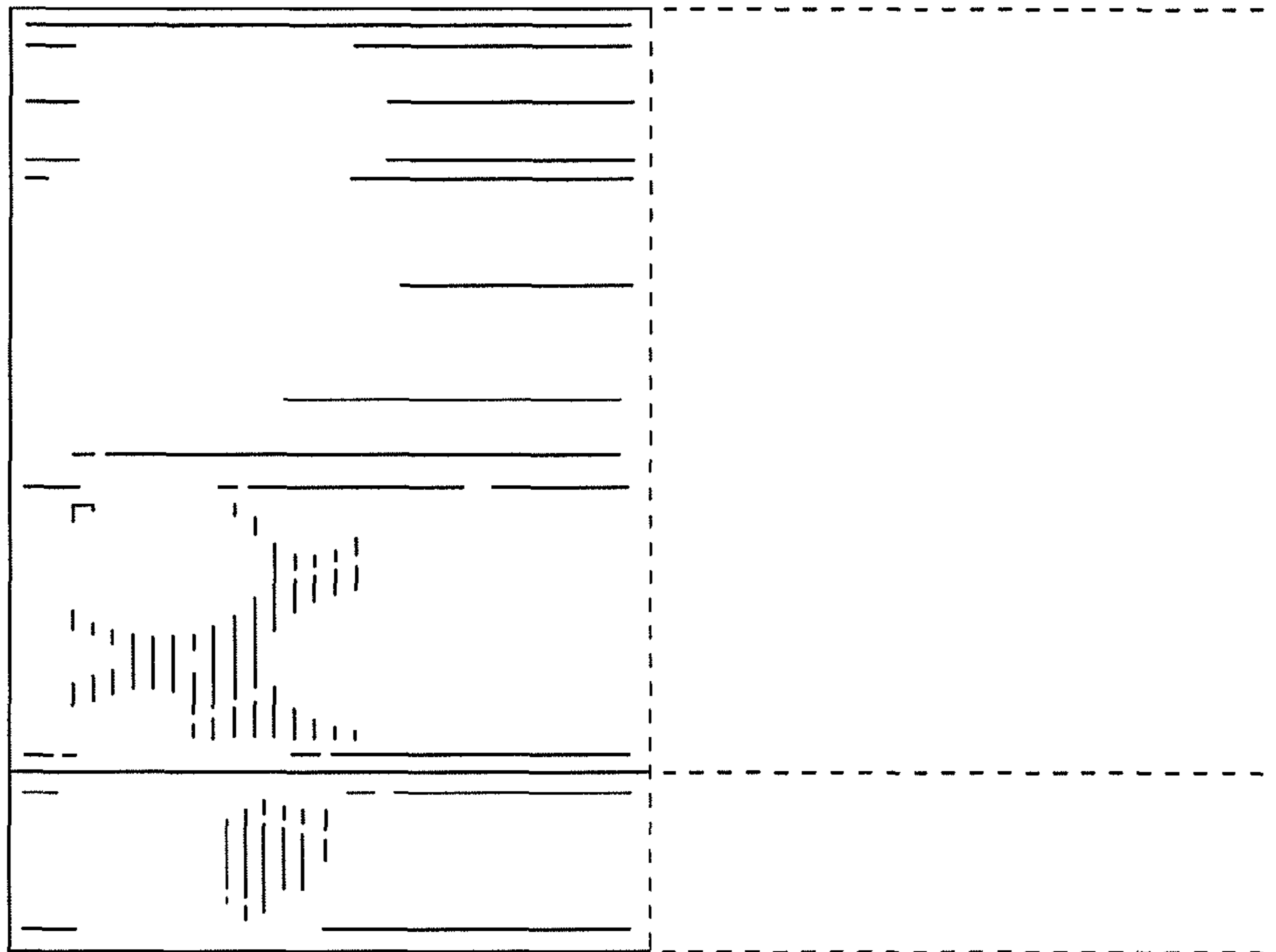


FIG. 4

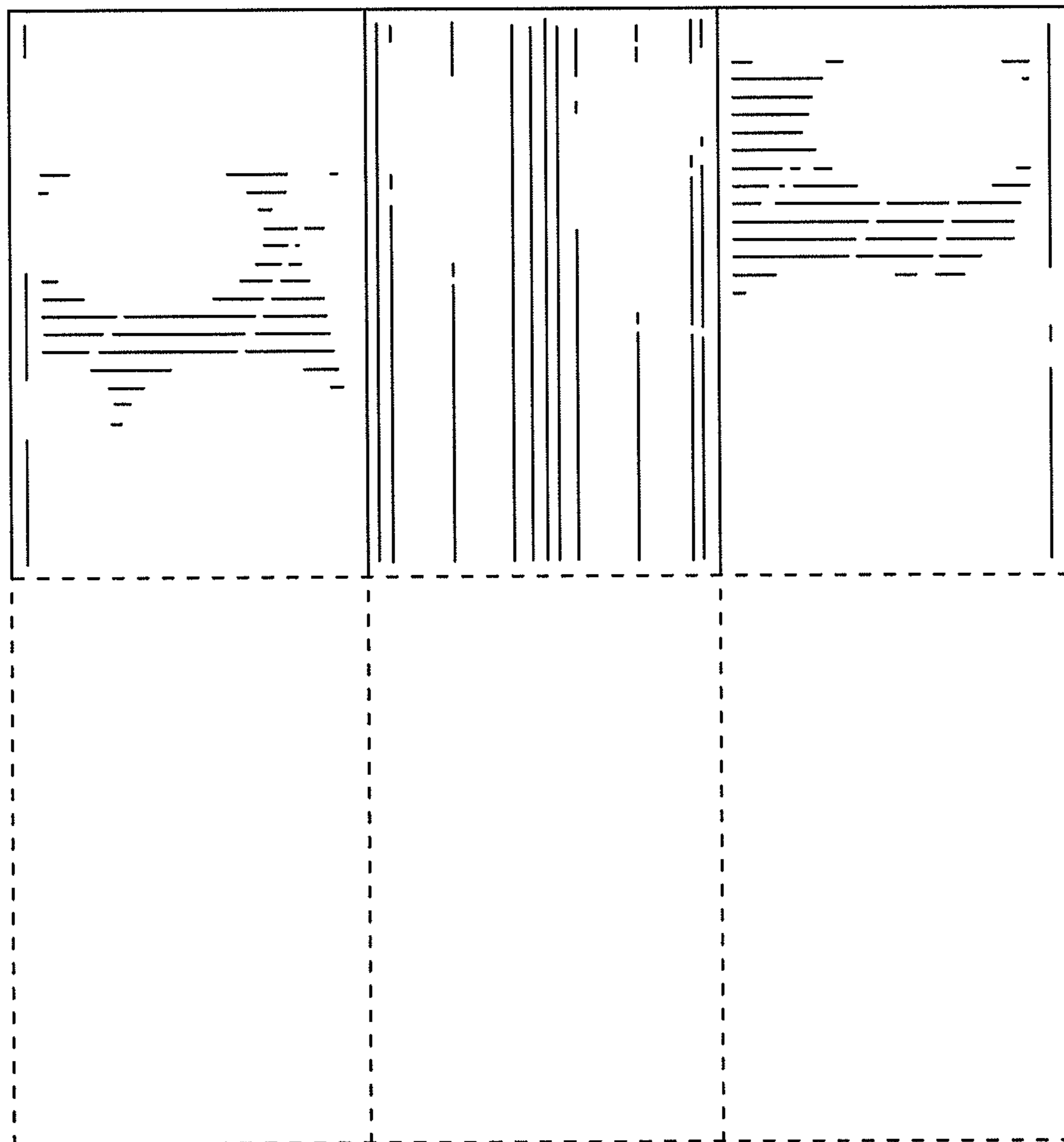


FIG. 5

