

US00D697387S

(12) **United States Design Patent**
Starck

(10) **Patent No.:** **US D697,387 S**
(45) **Date of Patent:** **** Jan. 14, 2014**

(54) **HOOK**

(75) Inventor: **Philippe Starck**, Paris (FR)

(73) Assignee: **Hansgrohe SE**, Schiltach (DE)

(**) Term: **14 Years**

(21) Appl. No.: **29/431,614**

(22) Filed: **Sep. 10, 2012**

(30) **Foreign Application Priority Data**

Mar. 16, 2012 (EM) 001318273-0019

(51) **LOC (10) Cl.** **08-05**

(52) **U.S. Cl.**
USPC **D8/367**

(58) **Field of Classification Search**
USPC D8/367, 354, 349, 373; D6/323;
248/301-304, 339, 205.3
See application file for complete search history.

(56) **References Cited**

U.S. PATENT DOCUMENTS

D150,771	S *	8/1948	Iskyan	D8/367
2,679,998	A *	6/1954	Keller	248/205.3
2,765,998	A *	10/1956	Engert	248/467
3,016,224	A *	1/1962	Hall	248/205.3
3,637,181	A *	1/1972	Janssen	248/205.3
D241,206	S *	8/1976	Halsted	D6/323
D289,139	S *	4/1987	Chasen	D8/367
D289,255	S *	4/1987	Chasen	D8/367
D312,384	S *	11/1990	Hamann	D8/367
D321,794	S *	11/1991	Chap et al.	D6/323
D345,497	S *	3/1994	Miller	D8/367
D346,950	S *	5/1994	Dunn et al.	D8/367
D359,441	S *	6/1995	Miller	D8/367
D364,045	S *	11/1995	Starck	D8/367
D371,064	S *	6/1996	Miller	D8/367
D374,602	S *	10/1996	Protz, Jr.	D8/367

D393,412	S *	4/1998	Bries et al.	D8/367
D397,256	S *	8/1998	Moore et al.	D6/323
D417,606	S *	12/1999	Bries et al.	D8/367
D448,654	S *	10/2001	Snell	D8/367
D455,948	S *	4/2002	Zetsche	D8/367
D458,535	S *	6/2002	Henderson	D8/367
D460,306	S *	7/2002	Lin	D6/524
D482,600	S *	11/2003	Dretzka	D8/367
D490,694	S *	6/2004	Levine-Umans	D8/367
D539,113	S *	3/2007	Fulkerson	D8/307
D548,983	S *	8/2007	Krumpe	D6/323
D554,482	S *	11/2007	Hager et al.	D8/367
D566,532	S *	4/2008	Wolff	D8/367
D567,517	S	4/2008	Massaud		
7,407,142	B1 *	8/2008	Lopez	248/304
D623,868	S *	9/2010	Schiestl	D6/323
7,833,620	B2 *	11/2010	Enserink et al.	428/321.1
D630,446	S *	1/2011	Dammers	D6/328

(Continued)

OTHER PUBLICATIONS

Brochure—VitrA® istanbul Collection by Ross Lovegrove 1-175, 4 pgs., VitrA Sanitaryware, Istanbul, Turkey, at least as early as Aug. 29, 2006.

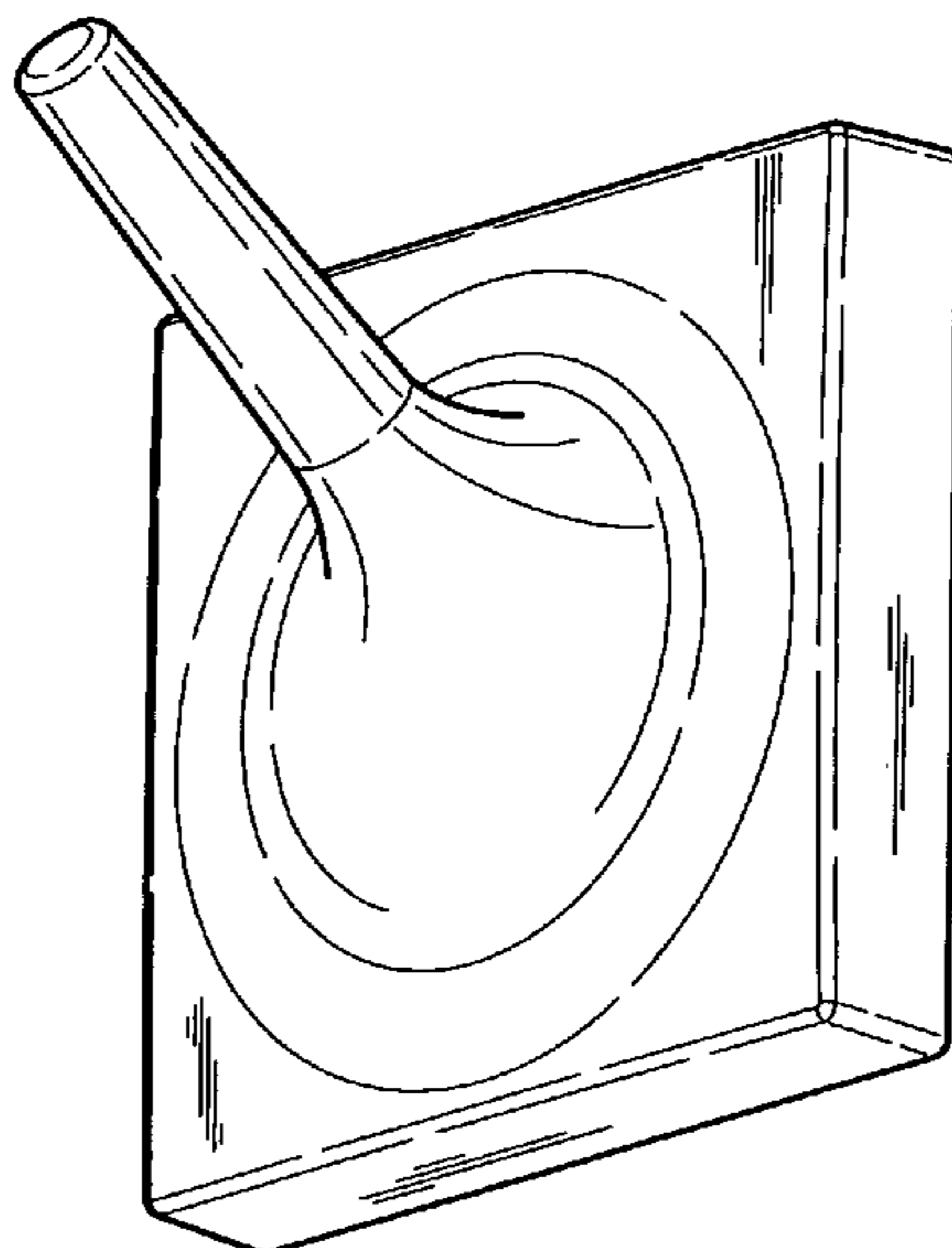
Primary Examiner — Cynthia Underwood
(74) *Attorney, Agent, or Firm* — Lora J. Graentzdoerffer

(57) **CLAIM**
The ornamental design for a hook, as shown and described.

DESCRIPTION

FIG. 1 is a perspective view of a hook showing my design;
FIG. 2 is a front elevational view thereof;
FIG. 3 is a rear elevational view thereof;
FIG. 4 is a left side elevational view thereof;
FIG. 5 is a right side elevational view thereof;
FIG. 6 is a top plan view thereof; and,
FIG. 7 is a bottom plan view thereof.
FIG. 8 is a back perspective view thereof.

1 Claim, 8 Drawing Sheets



US D697,387 S

Page 2

(56)

References Cited

U.S. PATENT DOCUMENTS

D632,951 S * 2/2011 McGreevy et al. D8/367
D641,228 S * 7/2011 Qiblawi et al. D8/367
D644,502 S * 9/2011 Portz D8/372

D658,029 S * 4/2012 Fulkerson et al. D8/307
8,376,297 B2 * 2/2013 Portz 248/215
D682,663 S * 5/2013 Evon D8/367

* cited by examiner

FIG. 1

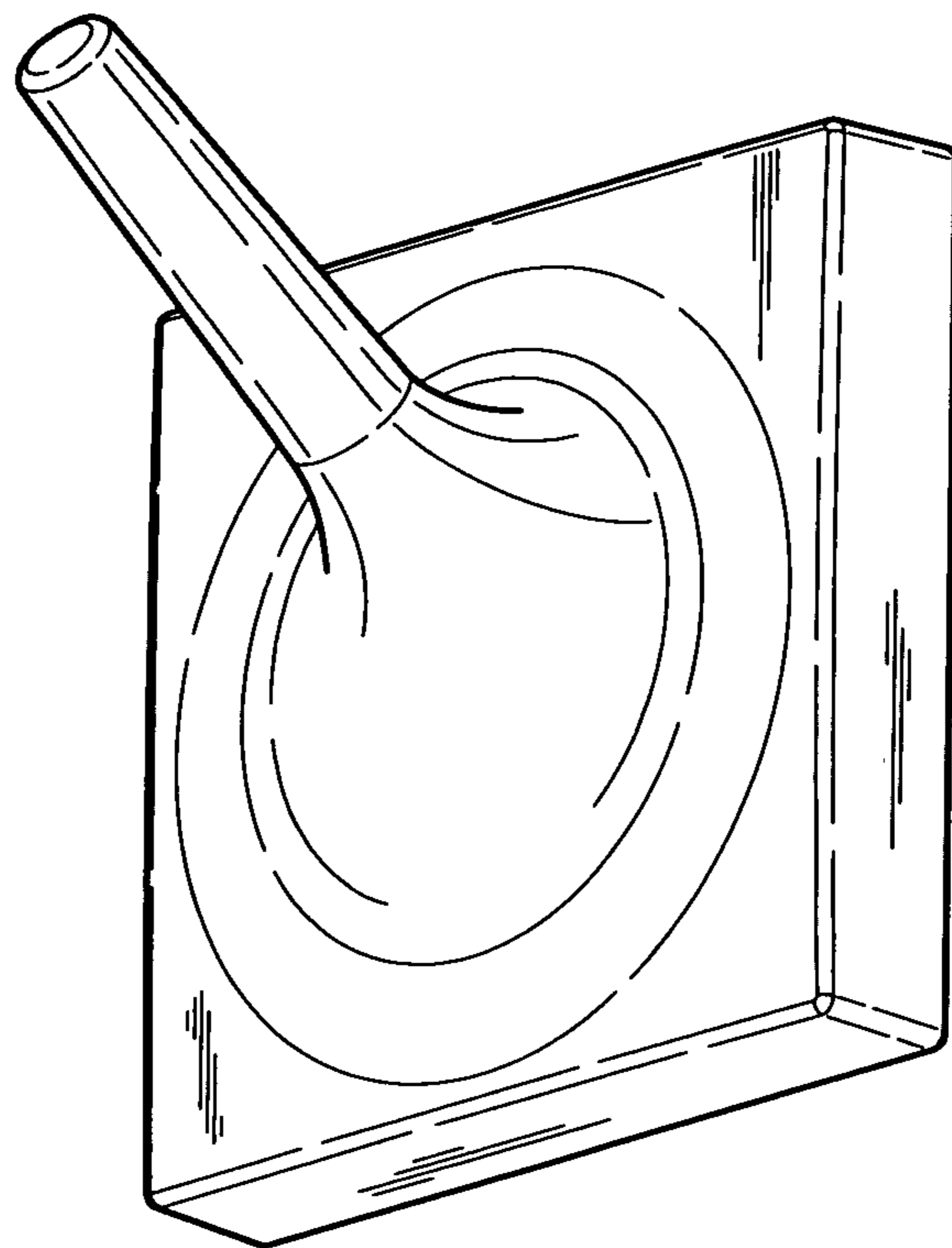


FIG. 2

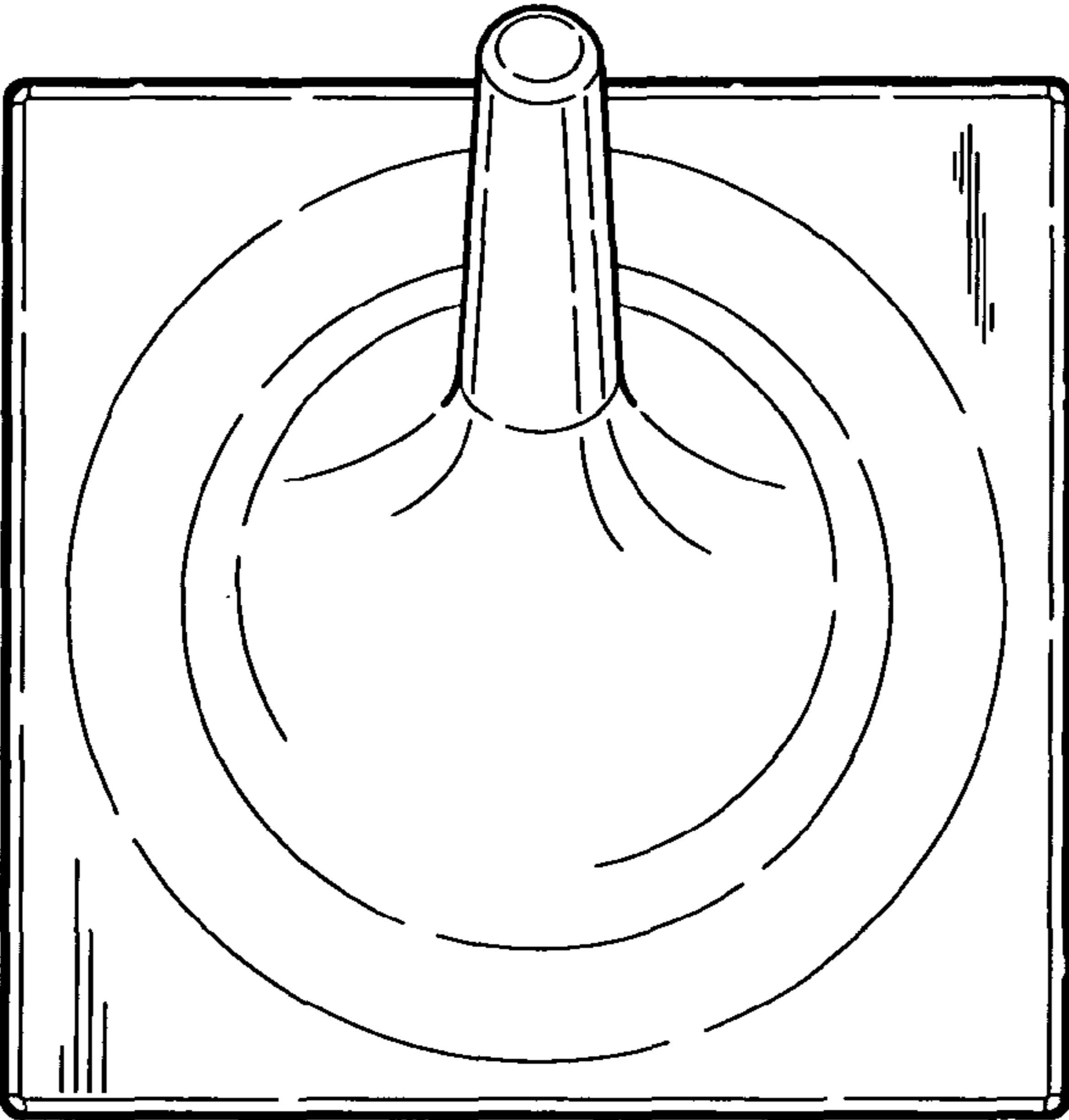


FIG. 3

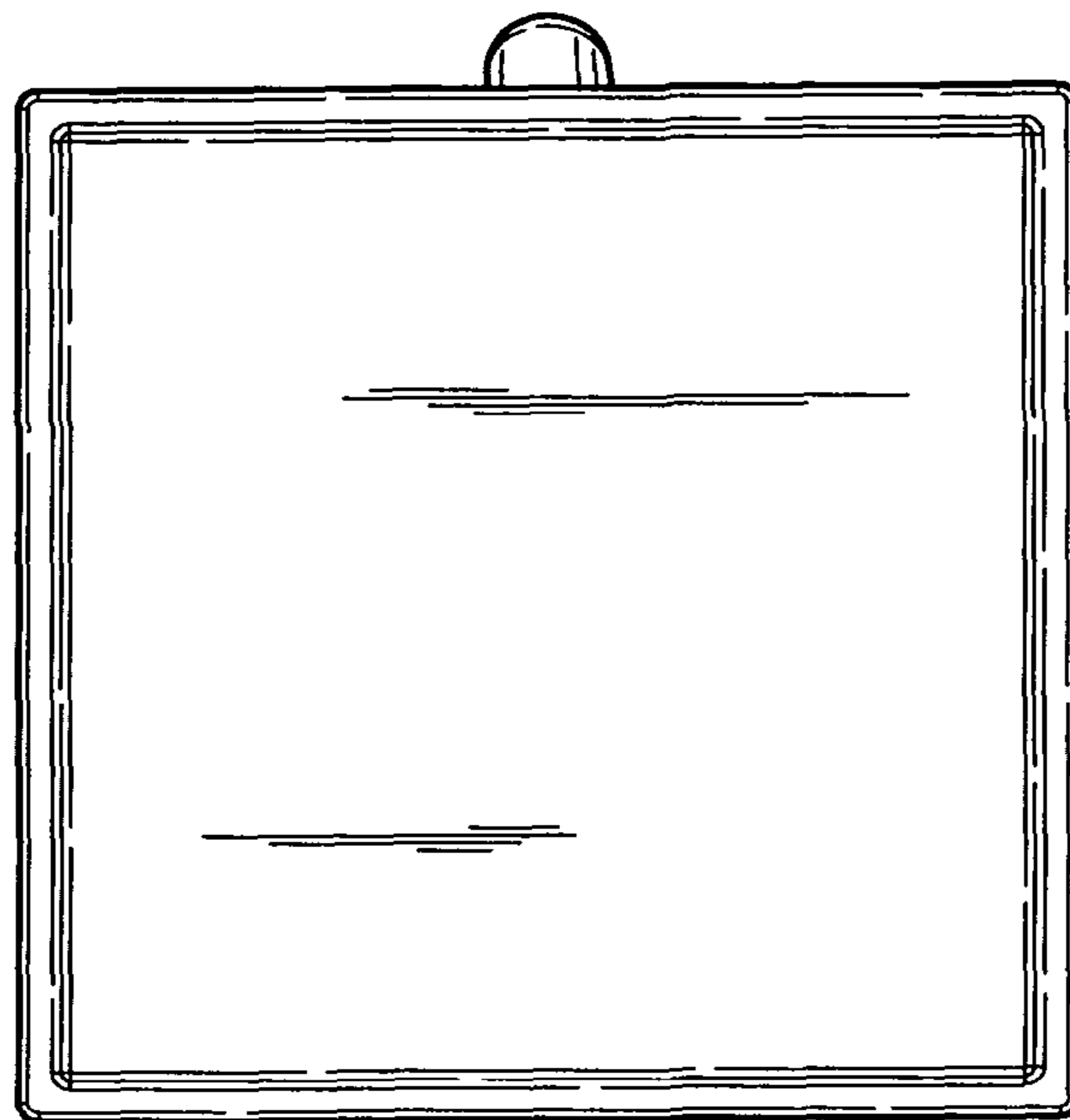


FIG. 4

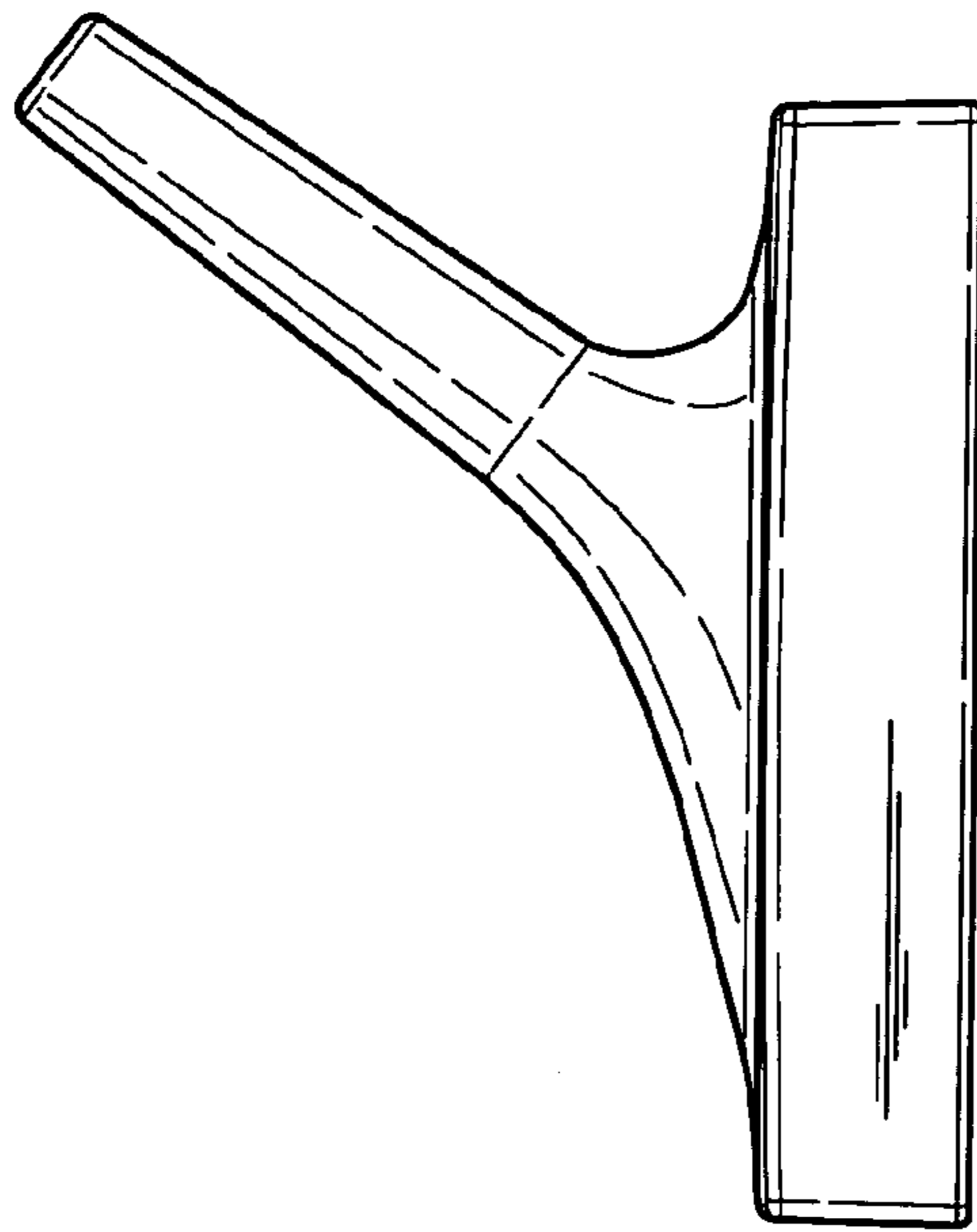


FIG. 5

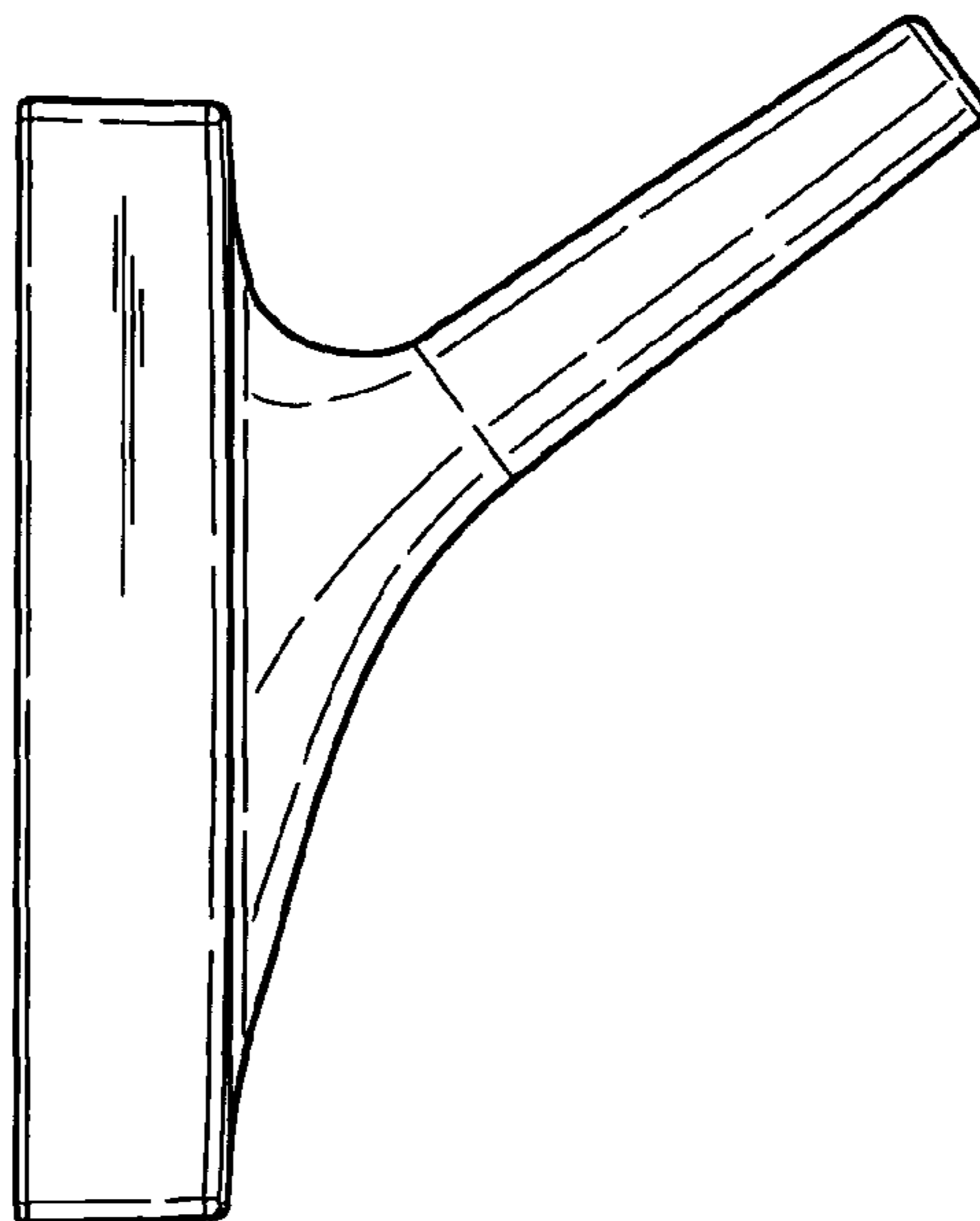


FIG. 6

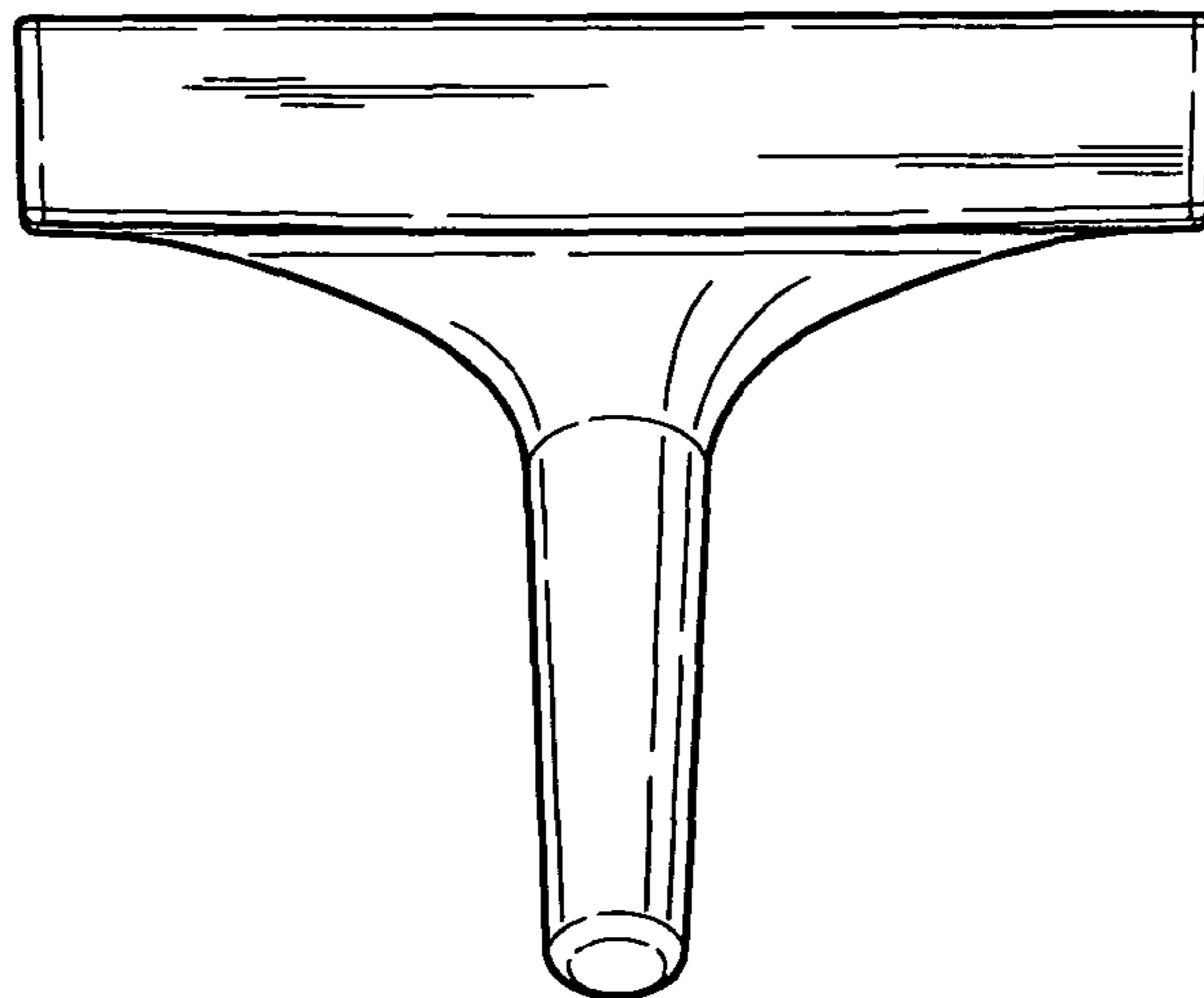


FIG. 7

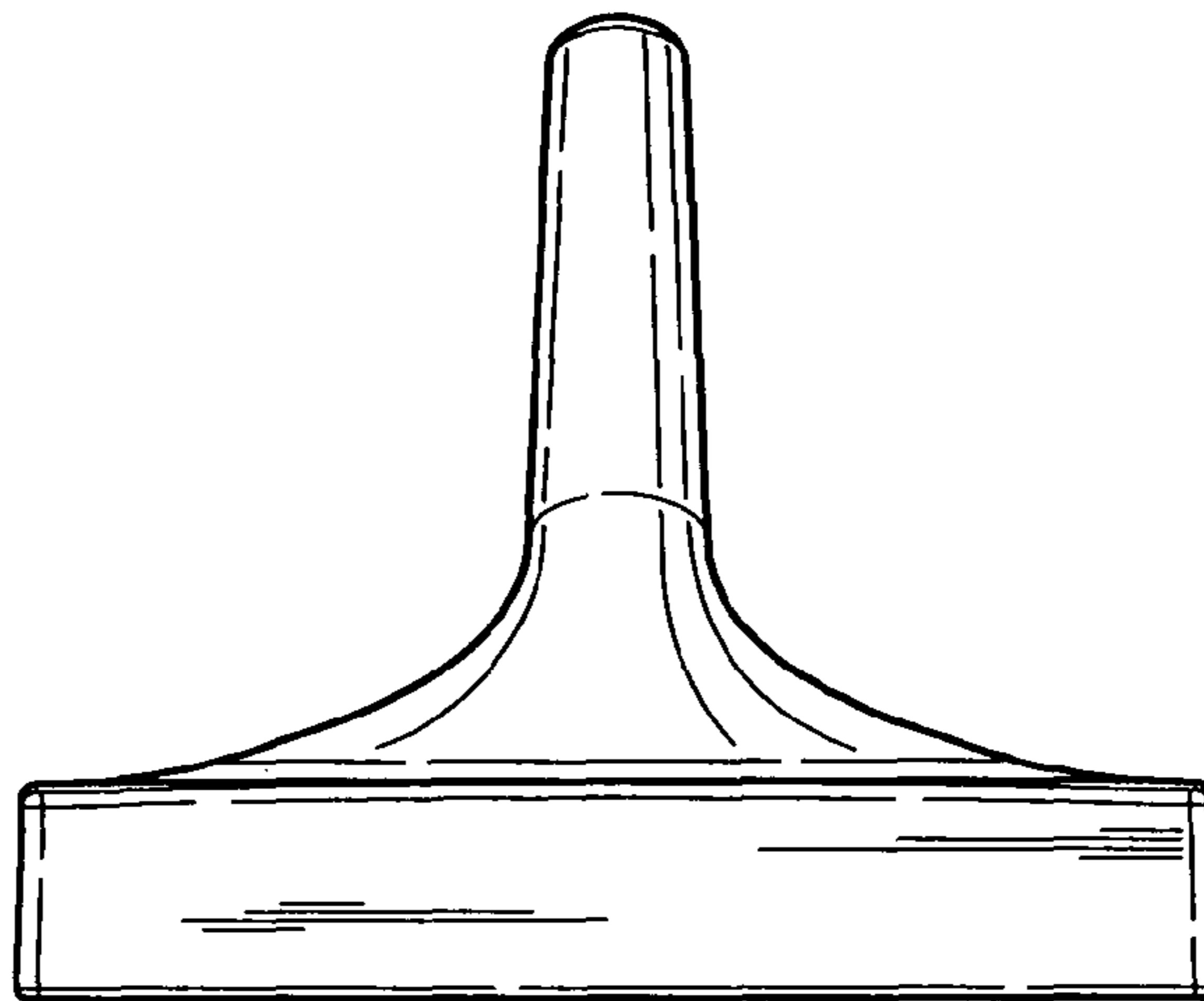


FIG. 8

