

US00D697386S

(12) **United States Design Patent**
Dooley

(10) **Patent No.:** **US D697,386 S**
(45) **Date of Patent:** **** Jan. 14, 2014**

(54) **SECURITY BRACKET FOR AN ENTRY DOOR**

(71) Applicant: **Bryan Dooley**, Portageview, MO (US)

(72) Inventor: **Bryan Dooley**, Portageview, MO (US)

(**) Term: **14 Years**

(21) Appl. No.: **29/436,338**

(22) Filed: **Nov. 5, 2012**

(51) **LOC (10) Cl.** **08-07**

(52) **U.S. Cl.**
USPC **D8/343**

(58) **Field of Classification Search**
USPC D8/330, 331, 339, 343, 344, 345, 300,
D8/302; 70/14, 51-56, 141, 224, 431, 455,
70/466, 450; 292/177-181, 282, 279, 280,
292/269, 273, 275, 277, 298, 302, 359, 337,
292/340, 336.3

See application file for complete search history.

(56) **References Cited**

U.S. PATENT DOCUMENTS

2,631,881	A	3/1953	Trachsler	
D189,963	S *	3/1961	Clinton	D8/400
2,996,326	A *	8/1961	Schlage	292/337
3,154,343	A	10/1964	Devine	
3,651,673	A *	3/1972	Sendrowski et al.	70/450
4,186,954	A *	2/1980	Detlefs	292/340
D261,478	S	10/1981	Gauntt	
D273,937	S	5/1984	Ruff	

4,635,399	A *	1/1987	Gehrke et al.	49/460
D302,937	S *	8/1989	Briggs	D8/344
4,854,621	A *	8/1989	Baldwin	292/340
5,088,780	A	2/1992	Doherty	
5,127,690	A *	7/1992	Kim et al.	292/340
D351,781	S *	10/1994	DeWitt	D8/344
5,456,507	A	10/1995	Jones	
5,829,801	A *	11/1998	Tindall	292/336.3
7,396,055	B2	7/2008	Arneson et al.	
D646,146	S *	10/2011	Stuckey	D8/331

* cited by examiner

Primary Examiner — Prabhakar Deshmukh

(74) *Attorney, Agent, or Firm* — Montgomery Patent & Design; Robert C. Montgomery

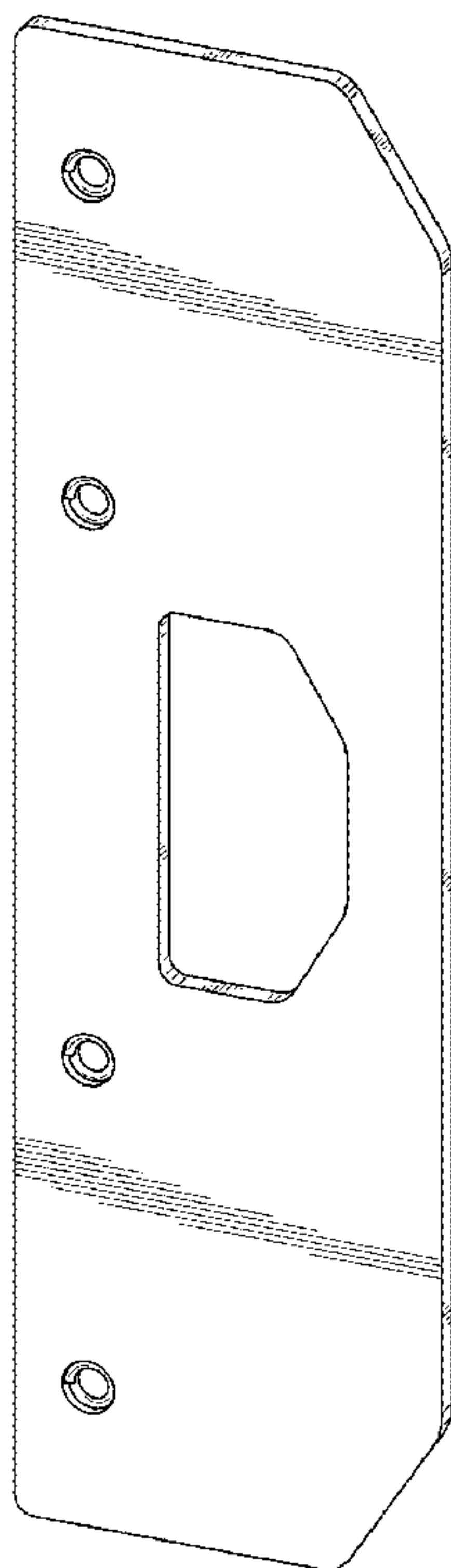
(57) **CLAIM**

The ornamental design for a security bracket for an entry door, as shown and described.

DESCRIPTION

FIG. 1 is a perspective front view of a security door bracket, showing my new design;
FIG. 2 is a front view thereof, with a rear view being a mirror image;
FIG. 3 is a left view thereof;
FIG. 4 is a right view thereof; and,
FIG. 5 is a top view thereof, with a bottom view being a mirror image.

1 Claim, 5 Drawing Sheets



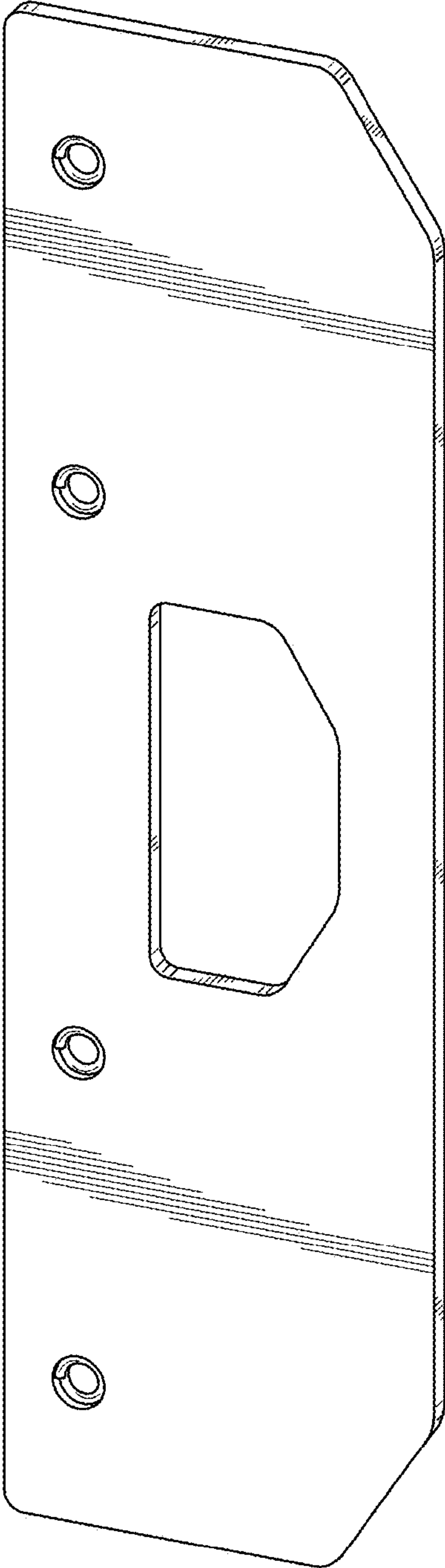


Fig. 1

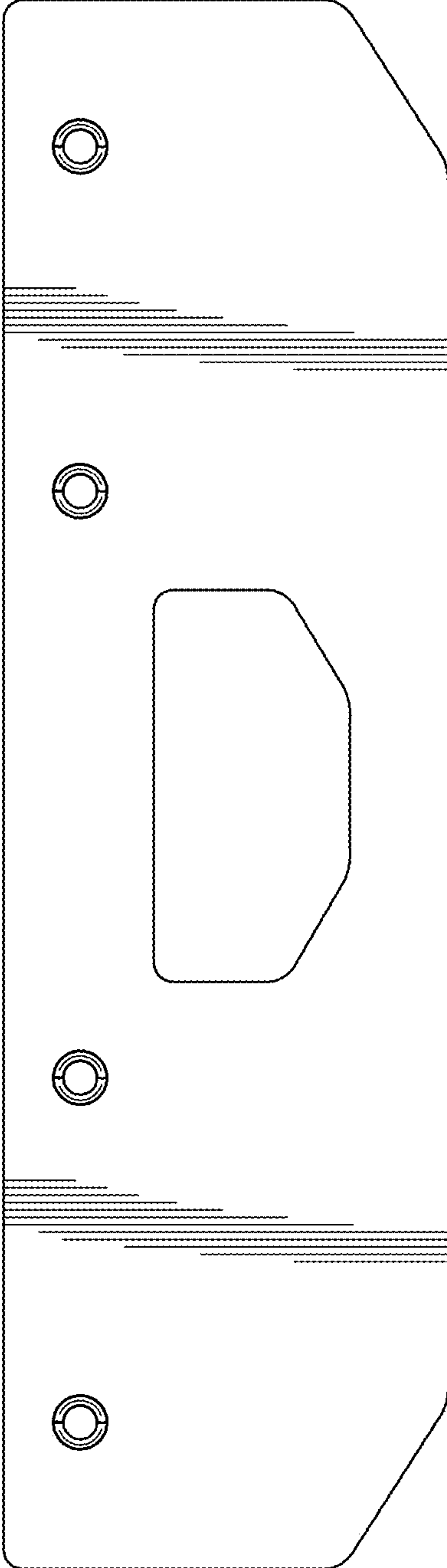


Fig. 2



Fig. 3



Fig. 4

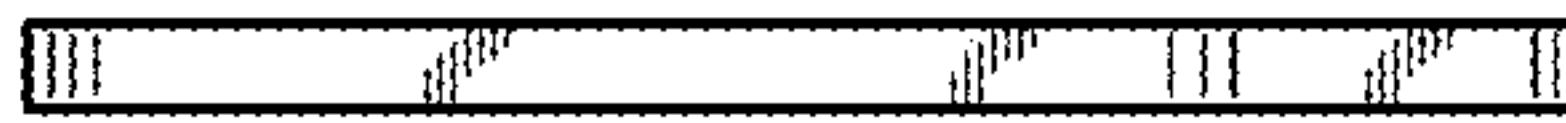


Fig. 5