



US00D697385S

(12) **United States Design Patent**  
**Roberts, III**

(10) **Patent No.:** **US D697,385 S**  
(45) **Date of Patent:** **\*\* Jan. 14, 2014**

(54) **MODERN HANDLESET**

(71) Applicant: **Schlage Lock Company LLC**,  
Indianapolis, IN (US)

(72) Inventor: **Rockwood Theodore Roberts, III**,  
Carmel, IN (US)

(73) Assignee: **Schlage Lock Company LLC**,  
Indianapolis, IN (US)

(\*\*) Term: **14 Years**

(21) Appl. No.: **29/437,664**

(22) Filed: **Nov. 20, 2012**

(51) **LOC (10) Cl.** ..... **08-06**

(52) **U.S. Cl.**  
USPC ..... **D8/301**

(58) **Field of Classification Search**  
USPC ..... D8/301, 300, 302, 350, 353, DIG. 1;  
16/110.1, 402, 412; 292/336.3, 347,  
292/357; 70/207, 450, 452  
See application file for complete search history.

(56) **References Cited**

**U.S. PATENT DOCUMENTS**

D140,760 S *	4/1945	Borchers	.....	D8/320
D178,660 S *	9/1956	Hillgren	.....	D8/302
3,287,054 A *	11/1966	Russell et al.	.....	292/336.3
D246,501 S *	11/1977	Clayton	.....	D8/320
D300,113 S *	3/1989	Halsted et al.	.....	D8/302
D300,115 S *	3/1989	Halsted et al.	.....	D8/302
D300,202 S *	3/1989	Halsted et al.	.....	D8/302
D300,203 S *	3/1989	Halsted et al.	.....	D8/302
D300,204 S *	3/1989	Halsted et al.	.....	D8/302

D303,566 S *	9/1989	Kohler et al.	.....	D23/249
D347,564 S *	6/1994	Carsello	.....	D8/302
D361,706 S *	8/1995	Carsello	.....	D8/302
5,593,193 A *	1/1997	Heim	.....	292/336.3
D391,829 S *	3/1998	Carsello	.....	D8/321
D425,392 S *	5/2000	Lin	.....	D8/302
D471,423 S *	3/2003	Ellis et al.	.....	D8/301
D471,424 S *	3/2003	Ellis et al.	.....	D8/301
D471,786 S *	3/2003	Ellis et al.	.....	D8/350
D495,229 S *	8/2004	Ellis et al.	.....	D8/301
D495,576 S *	9/2004	Ellis et al.	.....	D8/301
D499,630 S *	12/2004	Roberts, III	.....	D8/301
D510,695 S *	10/2005	Roberts, III	.....	D8/301
D571,183 S *	6/2008	Roberts, III	.....	D8/302
D579,302 S *	10/2008	Roberts, III	.....	D8/302
D579,760 S *	11/2008	Roberts, III	.....	D8/353
D642,044 S *	7/2011	Roberts, III	.....	D8/350

\* cited by examiner

*Primary Examiner* — Paula Greene

(74) *Attorney, Agent, or Firm* — Krieg DeVault LLP;  
Clifford W. Browning

(57) **CLAIM**

The ornamental design for a modern handleset, as shown and described.

**DESCRIPTION**

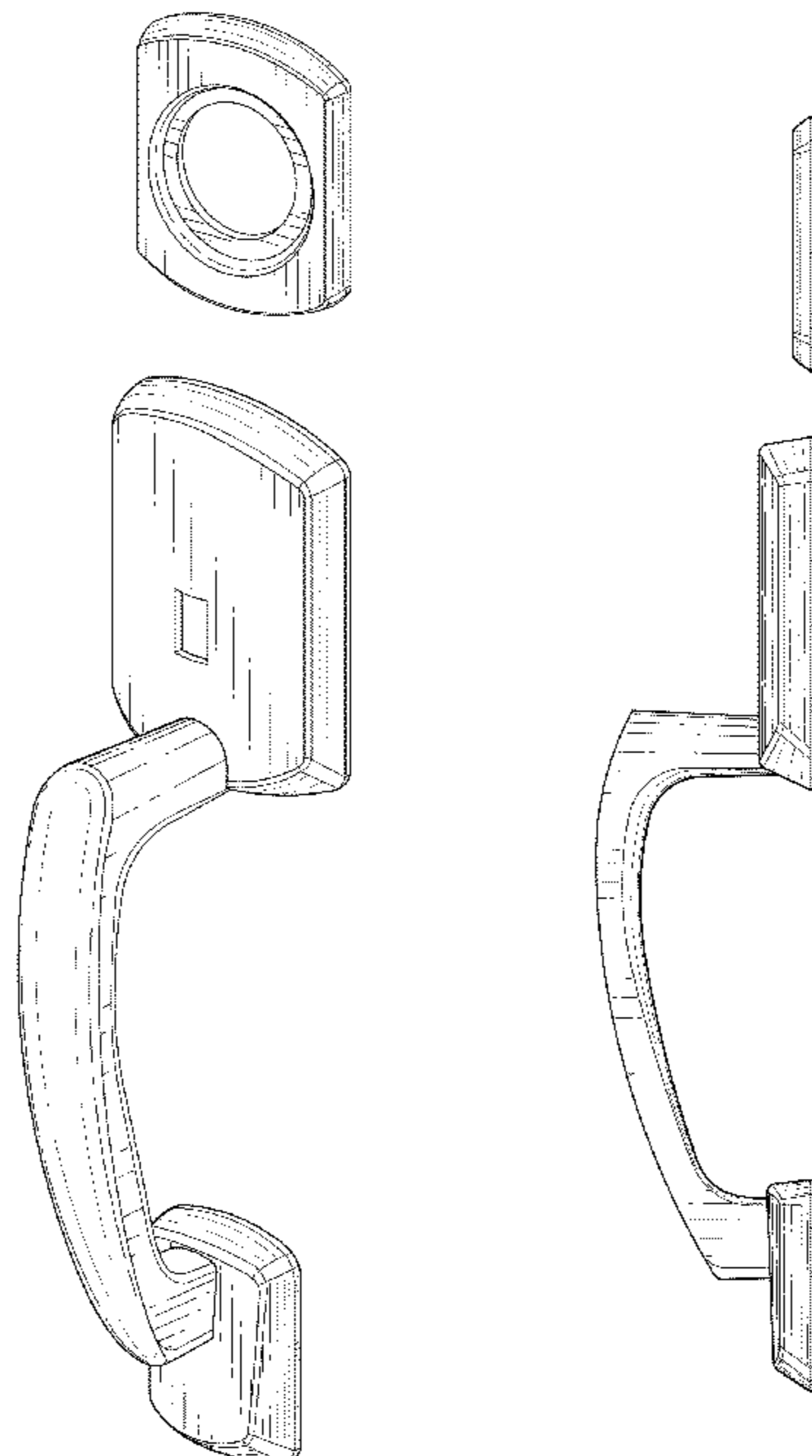
FIG. 1 is a top, right side perspective view of the modern handleset of the present invention.

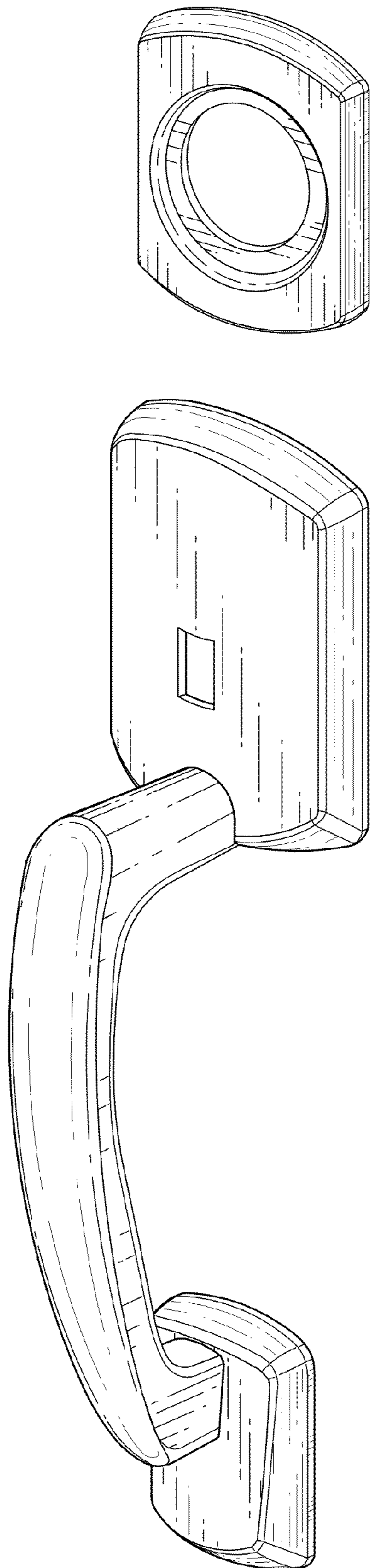
FIG. 2 is a front view of the modern handleset of FIG. 1.

FIG. 3 is a right side view of the modern handleset of FIG. 1, the left side view being a mirror image thereof.

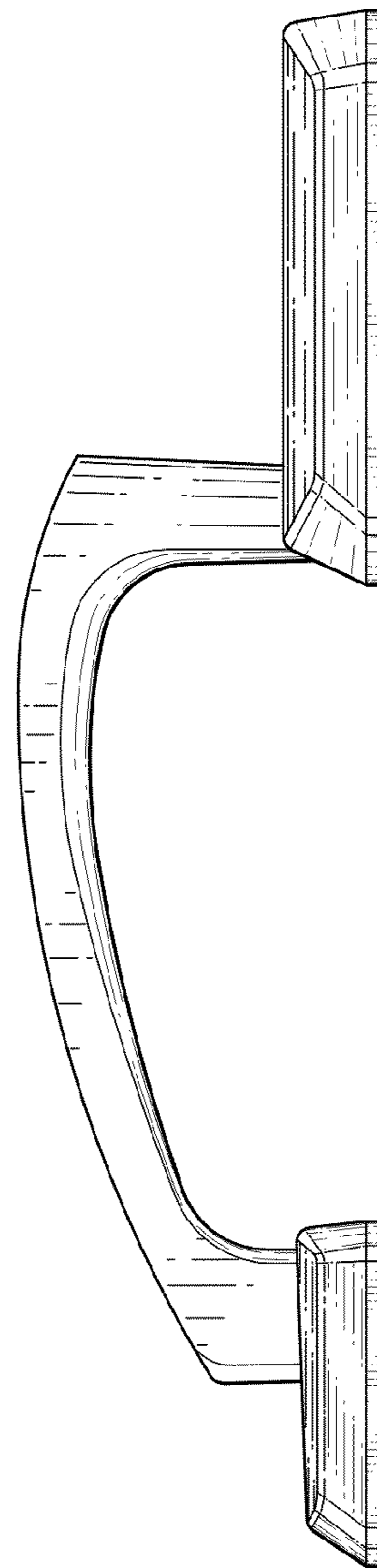
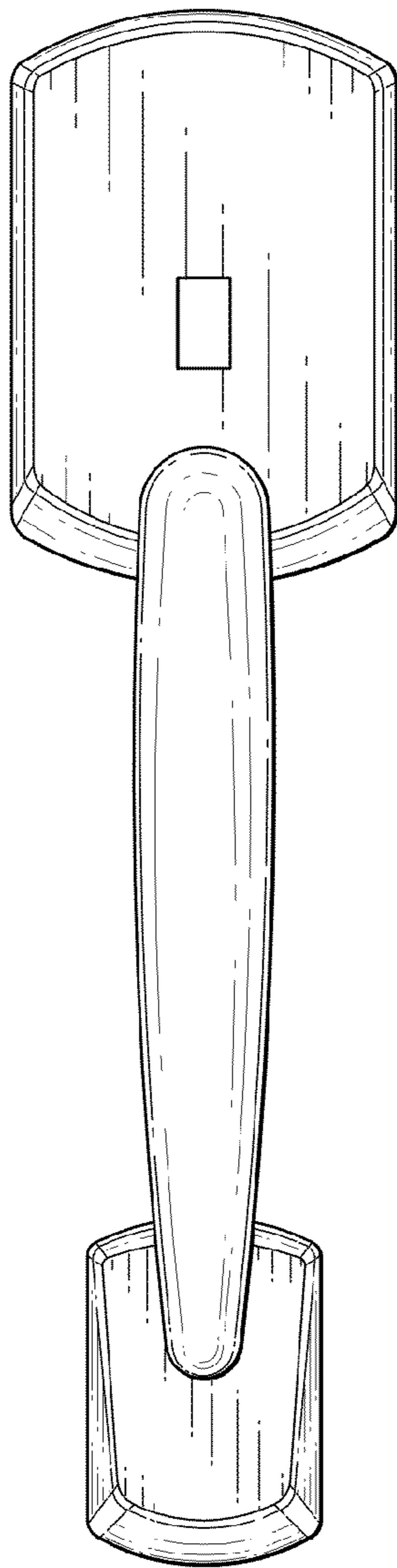
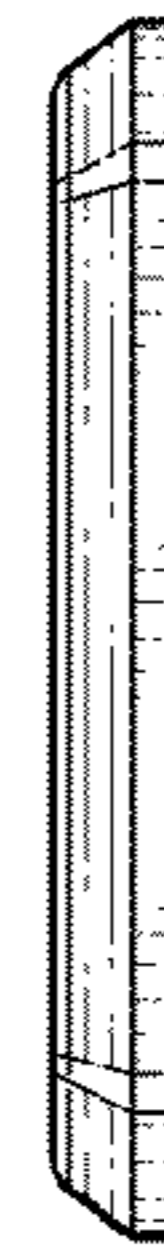
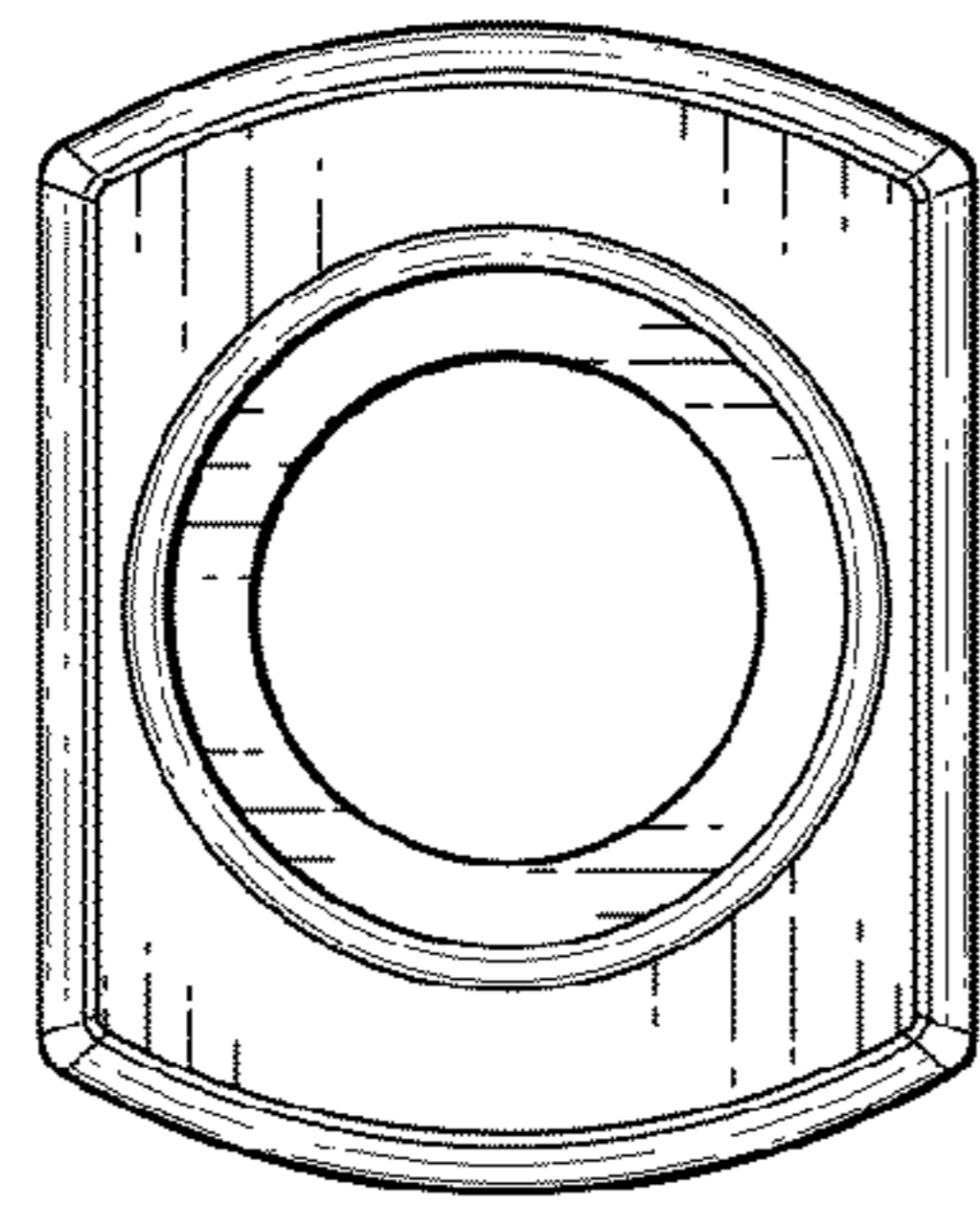
FIG. 4 is a top view of the modern handleset of FIG. 1; and, FIG. 5 is a bottom view of the modern handleset of FIG. 1.

**1 Claim, 3 Drawing Sheets**



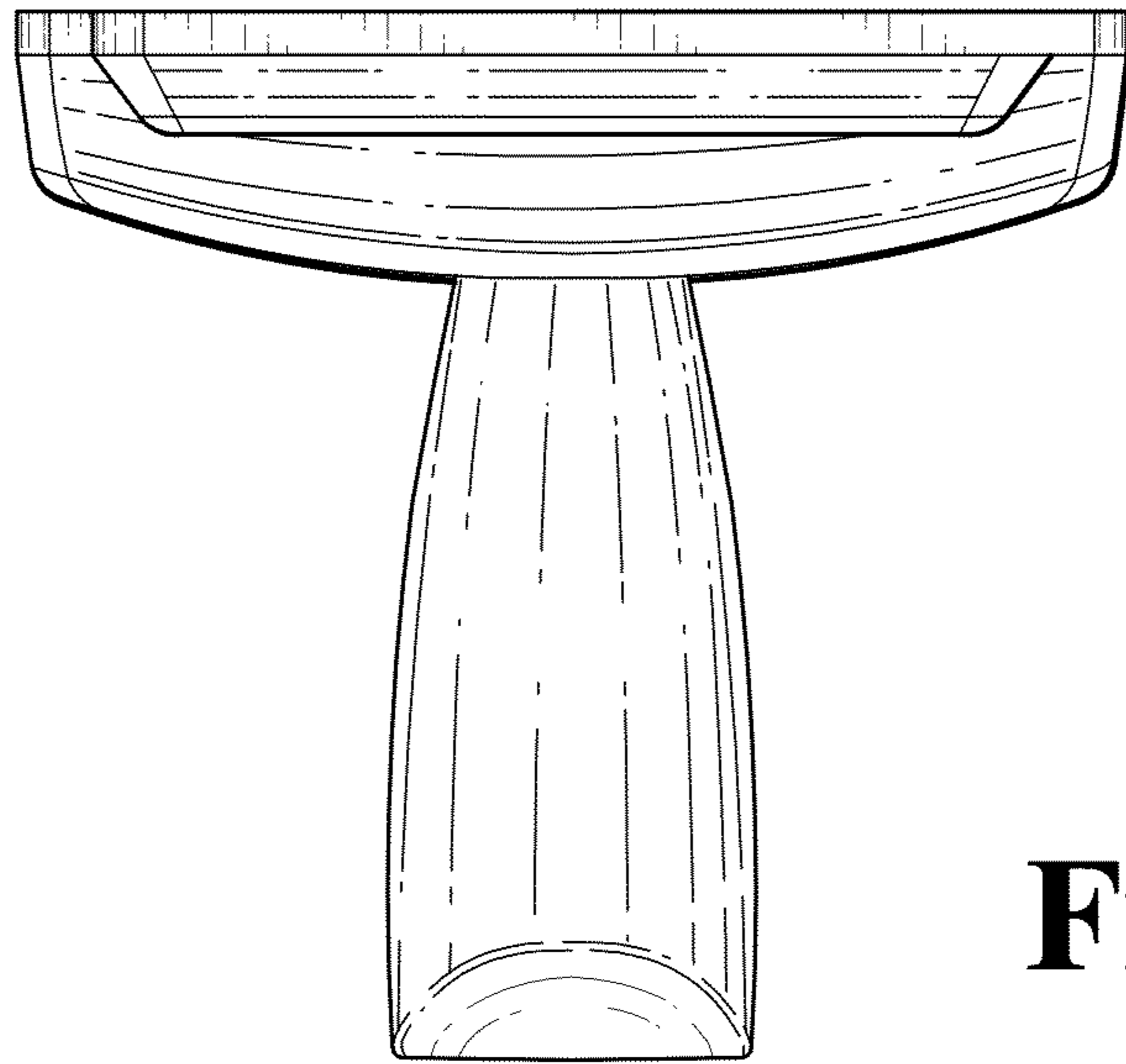


**Fig. 1**

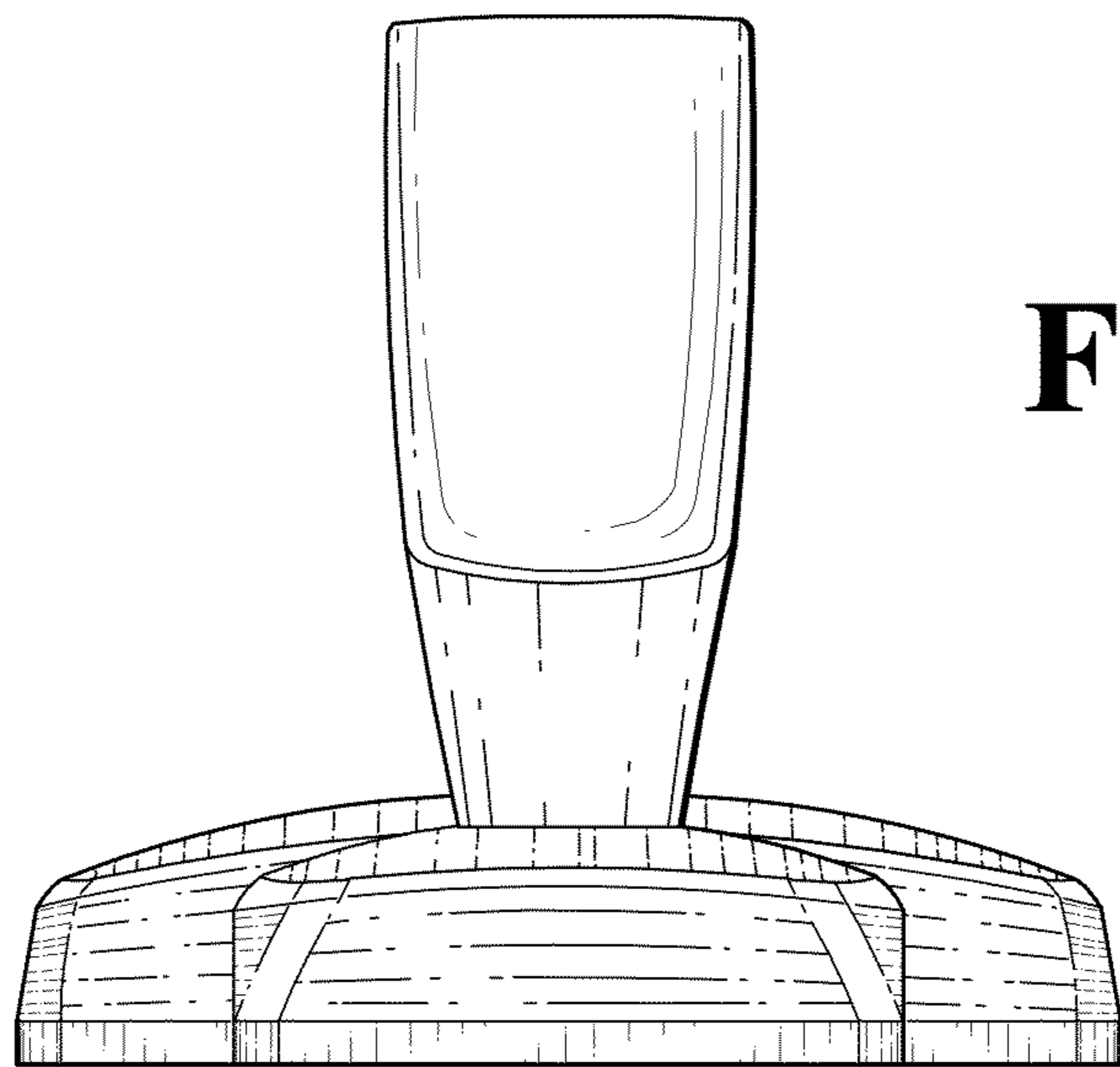


**Fig. 2**

**Fig. 3**



**Fig. 4**



**Fig. 5**