



US00D697384S

(12) **United States Design Patent**
Wackwitz

(10) **Patent No.:** **US D697,384 S**
(45) **Date of Patent:** **** Jan. 14, 2014**

(54) **TOOL INTERFACE FOR AN ACCESSORY**

FOREIGN PATENT DOCUMENTS

(71) Applicant: **Milwaukee Electric Tool Corporation**,
Brookfield, WI (US)

DE 10061559 A1 6/2002
DE 20309329 U1 8/2003

(Continued)

(72) Inventor: **Jeffrey M. Wackwitz**, Waukesha, WI
(US)

OTHER PUBLICATIONS

(73) Assignee: **Milwaukee Electric Tool Corporation**,
Brookfield, WI (US)

Milwaukee Electric Tool Corporation, Bosch tool, photo, 2010.

(Continued)

(**) Term: **14 Years**

Primary Examiner — Antoine D Davis

(21) Appl. No.: **29/434,866**

(74) *Attorney, Agent, or Firm* — Michael Best & Friedrich
LLP

(22) Filed: **Oct. 17, 2012**

Related U.S. Application Data

(57) **CLAIM**

I claim the ornamental design for a tool interface for an
accessory, as shown and described.

(60) Division of application No. 29/388,254, filed on Mar.
25, 2011, now Pat. No. Des. 669,754, which is a
continuation-in-part of application No. 29/375,918,
filed on Sep. 29, 2010, now Pat. No. Des. 651,062.

DESCRIPTION

(51) **LOC (10) Cl.** **08-03**

FIG. 1 is a perspective view of an accessory, such as a plunge
cut blade, having a tool interface.

(52) **U.S. Cl.**

FIG. 2 is a top view of the accessory shown in FIG. 1.

USPC **D8/70; D15/140**

FIG. 3 is a bottom view of the accessory shown in FIG. 1.

(58) **Field of Classification Search**

USPC D8/70; D15/140; 30/166.3, 169, 272.1,
30/277.4, 294, 339, 347, 389, 392;
83/665, 666, 676, 835, 886; 125/15,
125/25, 13.01; 403/3, 316, 359.3, 163;
451/8, 28, 57, 163, 294, 342, 344, 349,
451/353, 356, 357, 359, 360, 41, 490, 494,
451/508, 509, 510, 511, 548, 559

FIG. 4 is a left side view of the accessory shown in FIG. 1.

FIG. 5 is a right side view of the accessory shown in FIG. 1.

FIG. 6 is a rear view of the accessory shown in FIG. 1.

FIG. 7 is a front view of the accessory shown in FIG. 1.

FIG. 8 is a perspective view of another accessory, such as a
scraper blade, having a tool interface.

FIG. 9 is a top view of the accessory shown in FIG. 8.

FIG. 10 is a bottom view of the accessory shown in FIG. 8.

FIG. 11 is a left side view of the accessory shown in FIG. 8.

FIG. 12 is a right side view of the accessory shown in FIG. 8.

FIG. 13 is a rear view of the accessory shown in FIG. 8; and,

FIG. 14 is a front view of the accessory shown in FIG. 8.

Any broken line showing of the environment is for illustrative
purposes only and forms no part of the claimed design.

See application file for complete search history.

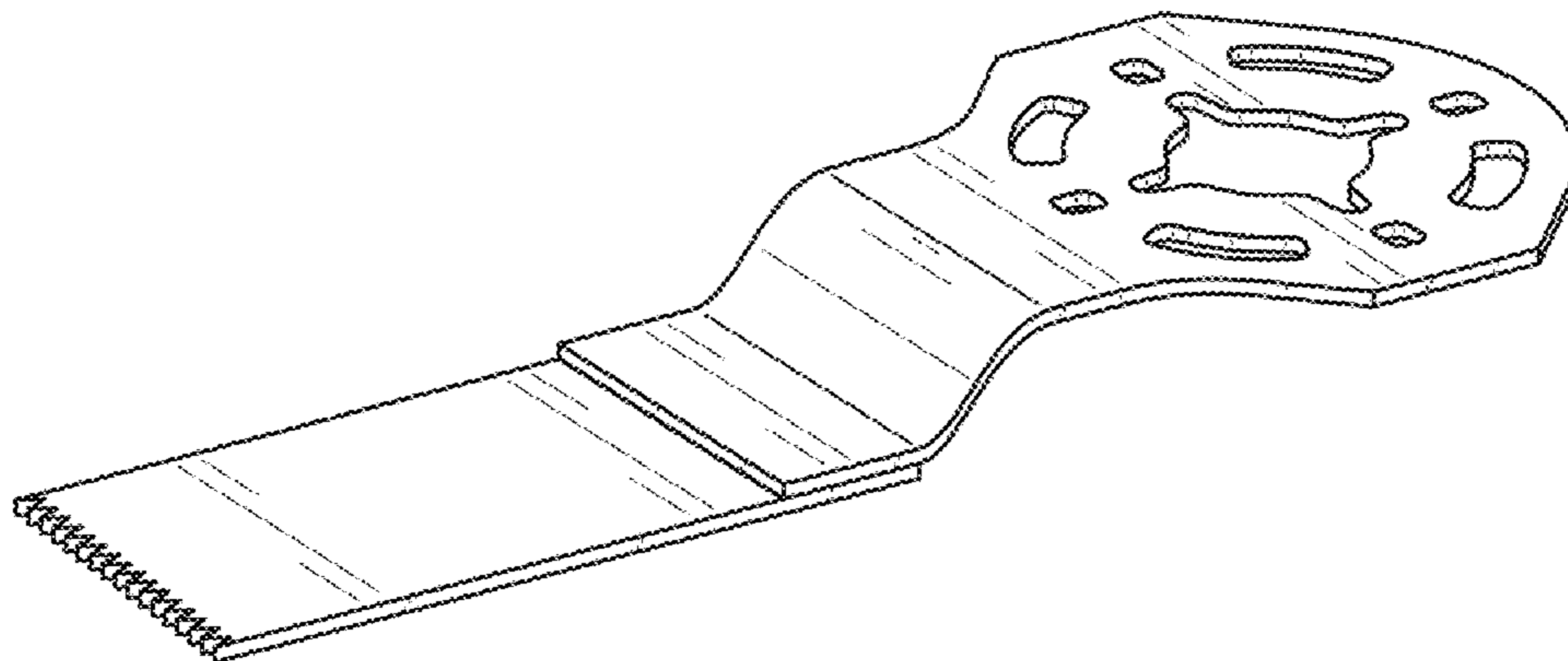
(56) **References Cited**

U.S. PATENT DOCUMENTS

81,661 A 9/1868 McDonald
197,650 A 11/1877 Milligan

(Continued)

1 Claim, 6 Drawing Sheets



(56)

References Cited

U.S. PATENT DOCUMENTS

223,103 A 12/1879 Berstler
241,178 A 5/1881 Amazeen
390,134 A 9/1888 Miller
519,892 A 5/1894 Newton
742,000 A 10/1903 Brooks
1,947,662 A 2/1934 Robinson
2,132,917 A 10/1938 Albertson
2,550,768 A 5/1951 Burleigh
2,649,868 A 8/1953 Gommel
2,822,648 A 2/1958 Metzger et al.
2,846,826 A 8/1958 Miller
2,854,042 A 9/1958 Robinson
2,912,021 A 11/1959 Gommel
2,997,819 A 8/1961 Schacht
3,041,797 A 7/1962 Moffly
3,308,703 A 3/1967 Sauer
3,440,915 A 4/1969 Weyant
3,623,281 A 11/1971 Moffat
3,667,169 A 6/1972 MacKay, Jr.
3,908,499 A 9/1975 Reed
3,943,934 A 3/1976 Bent
4,015,371 A 4/1977 Grayston
4,343,214 A 8/1982 Schadlich
4,361,956 A * 12/1982 Kirk 30/166.3
4,393,626 A 7/1983 Schroer
4,432,264 A 2/1984 Scott
4,436,006 A 3/1984 Nakamura et al.
4,436,009 A 3/1984 Ask
4,461,195 A 7/1984 Barnick
D276,310 S 11/1984 Frieberg
4,497,141 A 2/1985 Jarby
4,637,170 A 1/1987 Block
4,637,391 A * 1/1987 Schlein 30/166.3
4,637,397 A 1/1987 Jones et al.
4,657,428 A 4/1987 Wiley
4,683,683 A 8/1987 Block
4,700,478 A 10/1987 Mezger et al.
4,706,386 A 11/1987 Wiley
4,730,952 A 3/1988 Wiley
4,787,147 A 11/1988 Wiley
4,852,261 A 8/1989 Wittek
4,905,420 A 3/1990 Flachenecker et al.
D308,011 S 5/1990 Norris
4,989,320 A 2/1991 Borkott et al.
D315,667 S 3/1991 Johnson
5,038,478 A 8/1991 Mezger et al.
D327,111 S 6/1992 Hemming
5,263,283 A 11/1993 Rudolf et al.
5,265,340 A 11/1993 Nitz et al.
5,292,352 A 3/1994 Rudolf et al.
5,303,688 A 4/1994 Chiuminatta et al.
5,309,805 A 5/1994 Mezger et al.
5,319,886 A 6/1994 Steere, Jr.
5,366,312 A 11/1994 Raines
5,373,834 A 12/1994 Chiuminatta et al.
5,382,249 A 1/1995 Fletcher
D362,065 S 9/1995 Goris
5,468,247 A 11/1995 Matthai et al.
5,477,845 A 12/1995 Zuzelo
5,482,499 A 1/1996 Satoh
5,491,896 A 2/1996 Stolzer et al.
5,496,316 A 3/1996 Goris
5,554,066 A 9/1996 Bosten et al.
5,555,788 A 9/1996 Gakhar et al.
5,597,347 A 1/1997 Bosten et al.
5,601,483 A 2/1997 Rudolf et al.
5,626,510 A 5/1997 Bergner et al.
5,637,034 A 6/1997 Everts et al.
5,681,213 A 10/1997 Hashii
5,694,693 A 12/1997 Hutchins et al.
5,702,415 A 12/1997 Matthai et al.
5,709,595 A 1/1998 Bergner et al.
5,729,904 A 3/1998 Trott
5,743,791 A 4/1998 Bosten et al.
5,749,770 A 5/1998 Uzumcu et al.
5,759,094 A 6/1998 Bosten et al.
5,842,278 A 12/1998 Gmeilbauer
5,846,244 A 12/1998 Cripe
5,901,629 A 5/1999 Stroud
5,911,620 A 6/1999 Spangenberg et al.
5,967,886 A 10/1999 Wuensch et al.
D417,598 S * 12/1999 Dibbern et al. D8/70
6,004,194 A 12/1999 Hild et al.
6,022,353 A 2/2000 Fletcher et al.
D421,566 S * 3/2000 Achterberg D8/70
6,042,460 A 3/2000 Bosten et al.
D424,076 S * 5/2000 Dibbern et al. D8/70
D427,042 S * 6/2000 Dibbern et al. D8/70
6,099,311 A 8/2000 Wagner et al.
6,099,397 A 8/2000 Wurst
6,110,028 A 8/2000 Chung
6,129,618 A 10/2000 Frech
6,142,858 A 11/2000 Luedeke
D435,571 S * 12/2000 Dibbern et al. D15/140
6,155,916 A 12/2000 Rudolf et al.
6,159,084 A 12/2000 Tiede
6,257,969 B1 7/2001 Bosten et al.
6,277,012 B1 8/2001 Halliley
6,293,859 B1 9/2001 Fink et al.
6,299,078 B1 10/2001 Fugere
6,306,024 B1 10/2001 Kai et al.
6,332,836 B1 12/2001 Tseng
6,340,022 B1 1/2002 Schroer
6,349,446 B1 2/2002 Krause et al.
6,361,424 B1 3/2002 Manor et al.
6,371,837 B1 4/2002 Luedeke
6,379,236 B1 4/2002 Takizawa et al.
6,401,342 B1 6/2002 Kloss et al.
D466,597 S 12/2002 Carr
D467,845 S 12/2002 Pfeiffer et al.
6,503,253 B1 1/2003 Fletcher et al.
6,520,055 B1 2/2003 Reusch et al.
6,523,214 B1 2/2003 Kaiser
6,533,650 B2 3/2003 Yoshida et al.
6,569,001 B2 5/2003 Rudolf et al.
6,629,484 B2 10/2003 Soyama et al.
6,640,377 B2 11/2003 Krause et al.
D486,839 S 2/2004 Sunagawa et al.
6,699,112 B2 3/2004 Bergner et al.
6,723,101 B2 4/2004 Fletcher et al.
6,749,493 B2 6/2004 Wuensch
D493,683 S 8/2004 Hortenbury et al.
6,780,093 B2 8/2004 Krondorfer et al.
6,786,811 B2 9/2004 Krondorfer et al.
6,796,888 B2 9/2004 Jasch
6,802,127 B2 10/2004 Thomaschewski
6,802,764 B2 10/2004 Besch
6,814,655 B2 11/2004 Hofmann et al.
6,814,657 B2 11/2004 Spangenberg et al.
6,827,074 B2 12/2004 Gardner
6,860,792 B2 3/2005 Krondorfer et al.
6,869,346 B2 3/2005 Wendt et al.
6,902,471 B2 6/2005 Krondorfer et al.
6,942,558 B2 9/2005 Wuensch
6,942,560 B2 9/2005 Hofmann et al.
6,945,862 B2 9/2005 Jasch et al.
7,000,606 B2 2/2006 Gardner
7,077,734 B2 7/2006 Tiede et al.
7,077,735 B2 7/2006 Krondorfer et al.
7,097,548 B2 8/2006 Krondorfer et al.
D528,407 S 9/2006 Schwab
7,108,077 B2 9/2006 Zaiser
7,115,027 B2 10/2006 Thomaschewski
7,115,028 B1 10/2006 Chen
7,137,329 B1 11/2006 Moser
7,143,760 B2 12/2006 Gardner
7,169,025 B2 1/2007 Schumacher
7,201,644 B2 4/2007 Gardner
7,207,873 B2 4/2007 Hesse et al.
7,217,177 B2 5/2007 Frech et al.
7,273,412 B1 9/2007 Sun et al.
7,313,838 B2 1/2008 Long et al.
D563,186 S 3/2008 Ahn
7,402,095 B2 7/2008 Gardner

(56)

References Cited

U.S. PATENT DOCUMENTS

7,438,629	B2	10/2008	Bosten et al.	
7,506,877	B1	3/2009	Henderson et al.	
7,510,464	B2	3/2009	Stierle et al.	
7,527,628	B2	5/2009	Fletcher et al.	
7,588,484	B2	9/2009	Momosaki	
D609,545	S	2/2010	Ueno et al.	
D619,152	S	7/2010	Evatt et al.	
D621,427	S	8/2010	Dow et al.	
D623,034	S	9/2010	Evatt et al.	
D626,977	S	11/2010	Popov	
D626,978	S	11/2010	Huh	
D628,218	S	* 11/2010	Tommasini D15/138
D633,769	S	3/2011	Evatt et al.	
2002/0016143	A1	2/2002	Bosten et al.	
2002/0022444	A1	2/2002	Littlefield	
2002/0066351	A1	6/2002	Sumida et al.	
2003/0000716	A1	1/2003	Hofmann et al.	
2003/0153254	A1	8/2003	Bosten et al.	
2004/0192180	A1	9/2004	Bosten et al.	
2004/0243136	A1	12/2004	Gupta et al.	
2005/0153640	A1	7/2005	Stein et al.	
2006/0150428	A1	7/2006	Baculy	
2006/0272468	A1	12/2006	Gupta et al.	
2007/0079489	A1	4/2007	Cirino	
2007/0094877	A1	5/2007	Bohne et al.	
2007/0295156	A1	12/2007	Ziegler et al.	
2008/0003929	A1	1/2008	Degen	
2008/0017007	A1	1/2008	Weber et al.	
2008/0029134	A1	2/2008	Long et al.	
2008/0057846	A1	3/2008	Schumacher	
2008/0160886	A1	7/2008	Palushaj	
2008/0190259	A1	8/2008	Bohne	
2008/0210212	A1	9/2008	Baratta	
2009/0013540	A1	1/2009	Bohne	
2009/0023371	A1	1/2009	Blickle et al.	
2009/0083916	A1	4/2009	Lampka et al.	
2009/0191799	A1	7/2009	Rivard	
2009/0209186	A1	8/2009	Krauss et al.	
2009/0293696	A1	12/2009	Rauscher et al.	
2009/0318065	A1	12/2009	Zaiser et al.	
2010/0009613	A1	1/2010	Frueh et al.	
2010/0052269	A1	3/2010	Zaiser et al.	
2010/0056029	A1	3/2010	Grunikiewicz	

FOREIGN PATENT DOCUMENTS

DE	102004050798	A1	4/2006	
DE	202006013890	U1	11/2006	

DE	102006021969	A1	11/2007	
DE	102007039367	A1	3/2008	
DE	102007018467	A1	10/2008	
DE	102007036786	A1	10/2008	
DE	102007035045	A1	1/2009	
DE	202007018679	U1	1/2009	
DE	102008027671	A1	12/2009	
EP	1213107	A1	6/2002	
EP	1302286	A1	4/2003	
EP	1852218	A1	11/2007	
EP	2017036	A1	1/2009	
EP	2143531	A1	1/2010	
EP	2159000	A1	3/2010	
WO	2008128813	A1	10/2008	
WO	2008128862	A1	10/2008	

OTHER PUBLICATIONS

Milwaukee Electric Tool Corporation, Bosch tool and accessories, photo, 2010.

Milwaukee Electric Tool Corporation, Bosch tool and adapter, photo, 2010.

Milwaukee Electric Tool Corporation, Rockwell tool, photo, 2010.

Milwaukee Electric Tool Corporation, Rockwell tool and accessories, photo, 2010.

Milwaukee Electric Tool Corporation, Craftsman tool, photo, 2010.

Milwaukee Electric Tool Corporation, Craftsman tool and accessories, photo, 2010.

Milwaukee Electric Tool Corporation, Dremel tool, photo, 2010.

Milwaukee Electric Tool Corporation, Dremel tool and accessories, photo, 2010.

Milwaukee Electric Tool Corporation, Fein tool, photo, 2010.

Milwaukee Electric Tool Corporation, Fein tool and accessories, photo, 2010.

EP Designs 000535174-0001 and 000535174-0002 for cutting discs, show at <http://oami.europa.eu/RCDOnline/RequestManager>.

Bosch, Plunge cut blade, photo.

Bosch, Scraper blade, photo.

Bosch, Flush cut blade, photo.

Bosch, Grout blade, photo.

Notice of Allowance from the United States Patent Office for U.S. Appl. No. 29/375,916 dated Sep. 22, 2011 (8 pages).

Office Action from the United States Patent Office for U.S. Appl. No. 29/388,254 dated May 3, 2012 (7 pages).

* cited by examiner

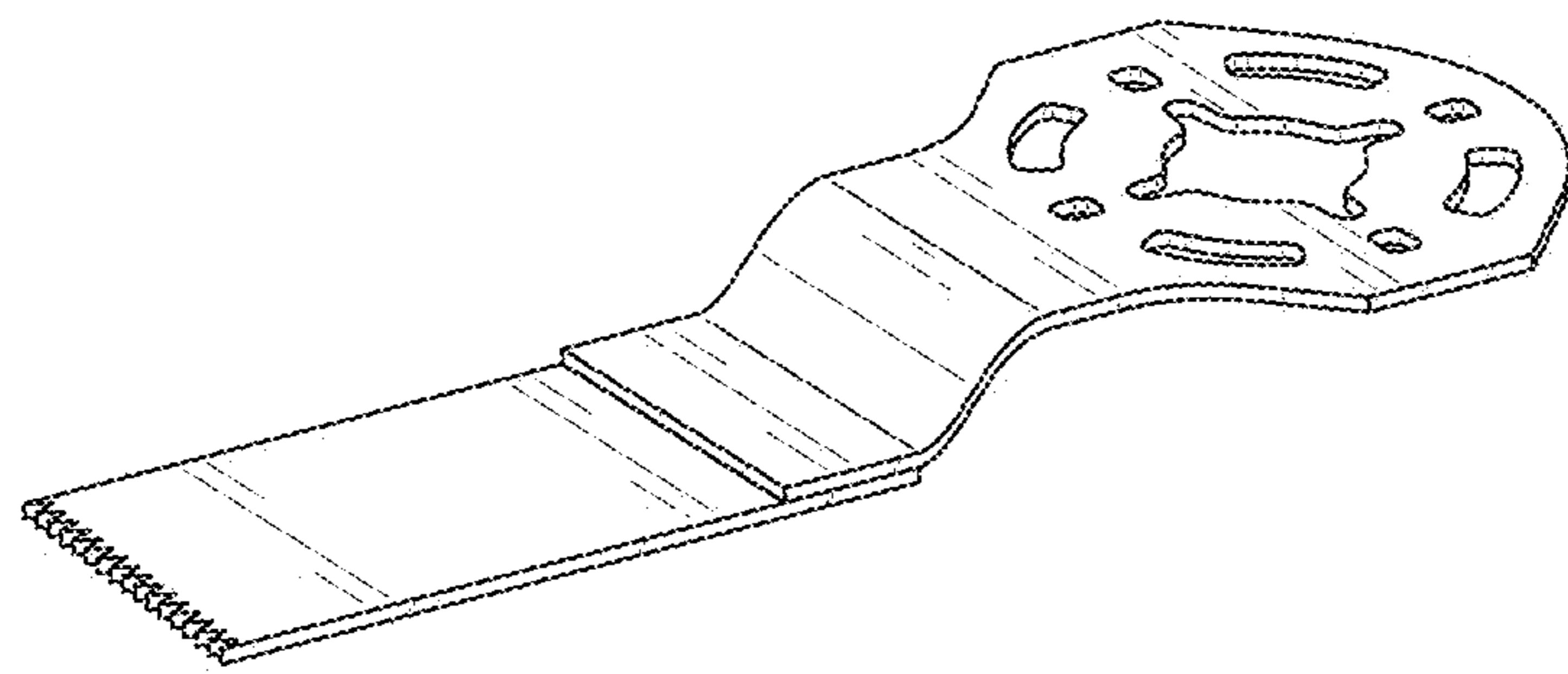


FIG. 1

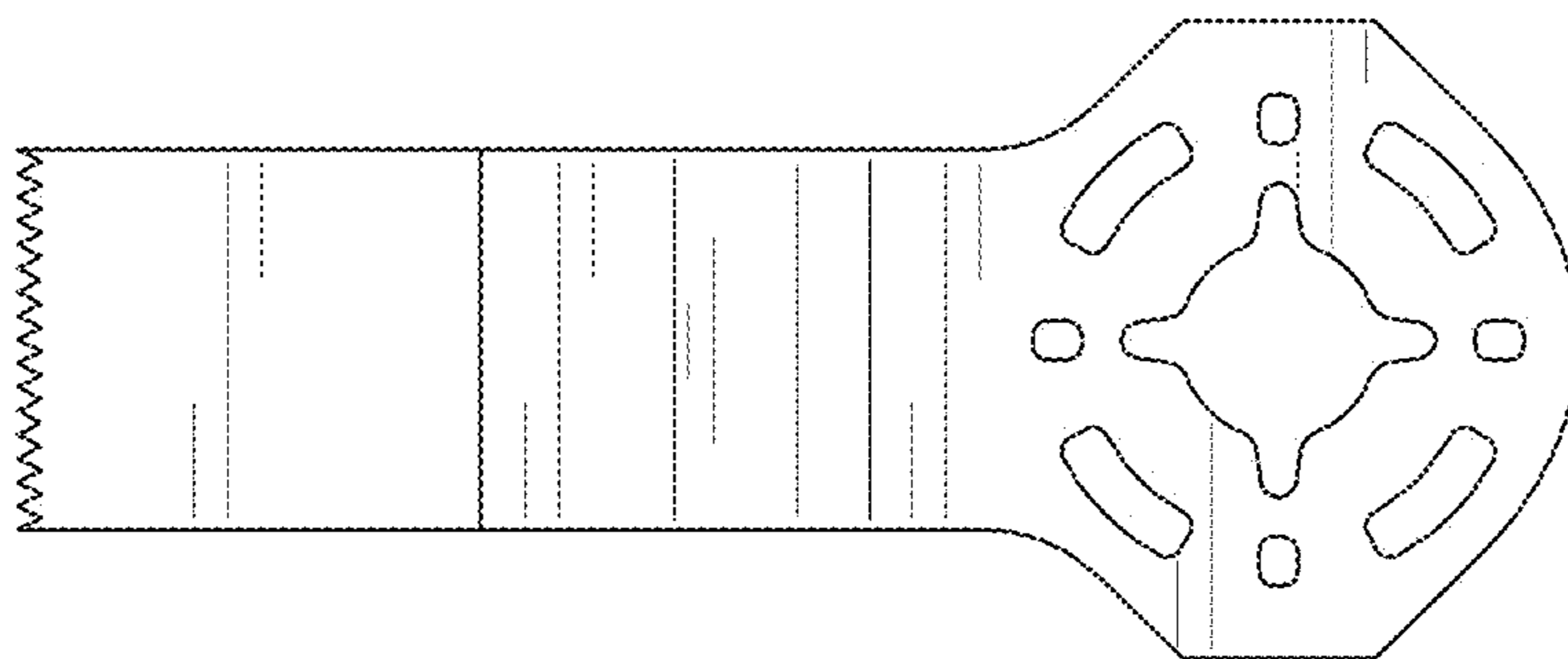


FIG. 2

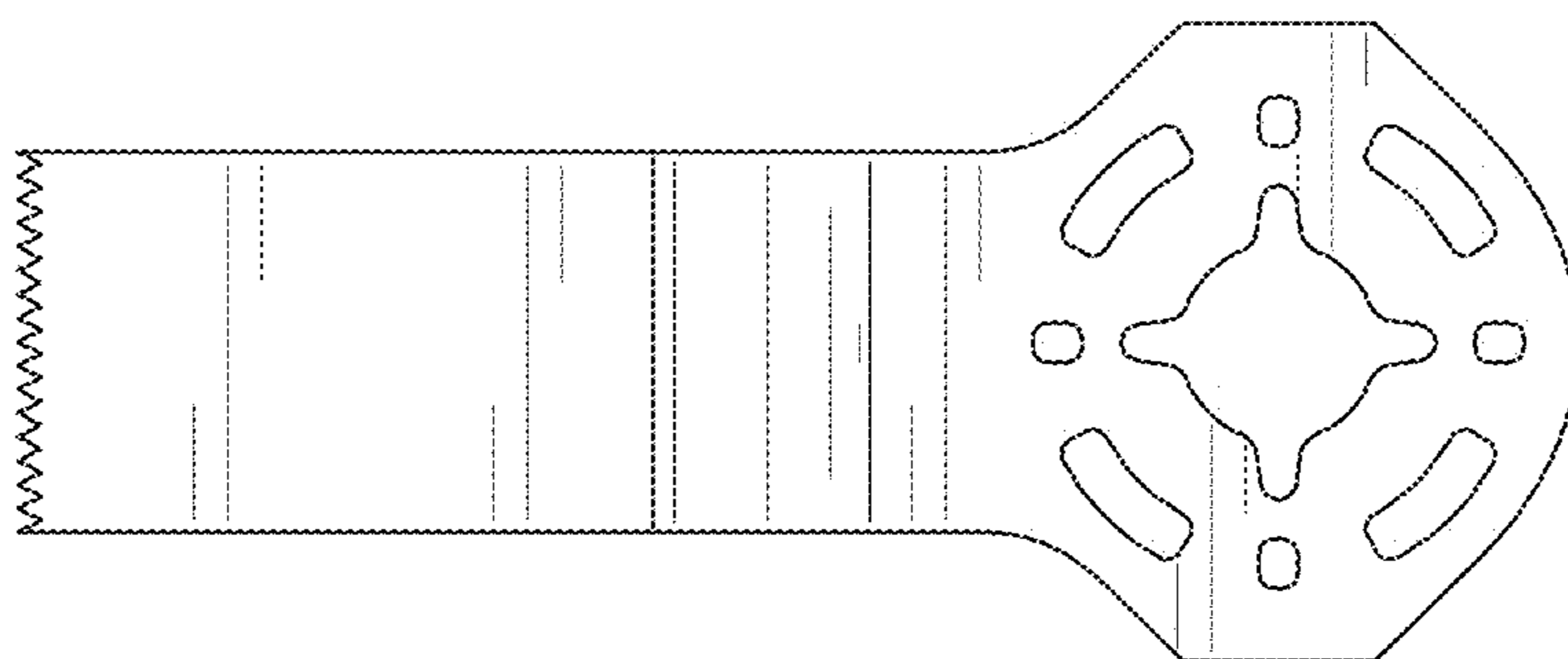


FIG. 3

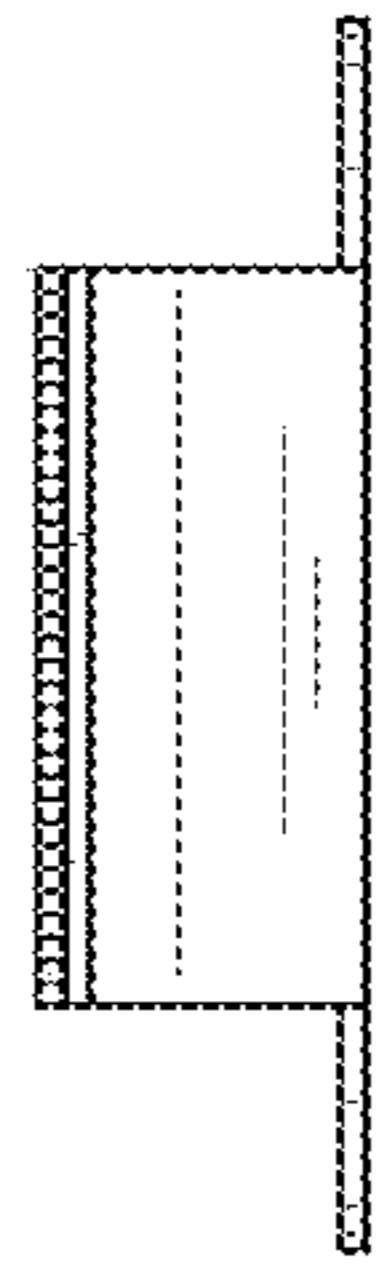


FIG. 4

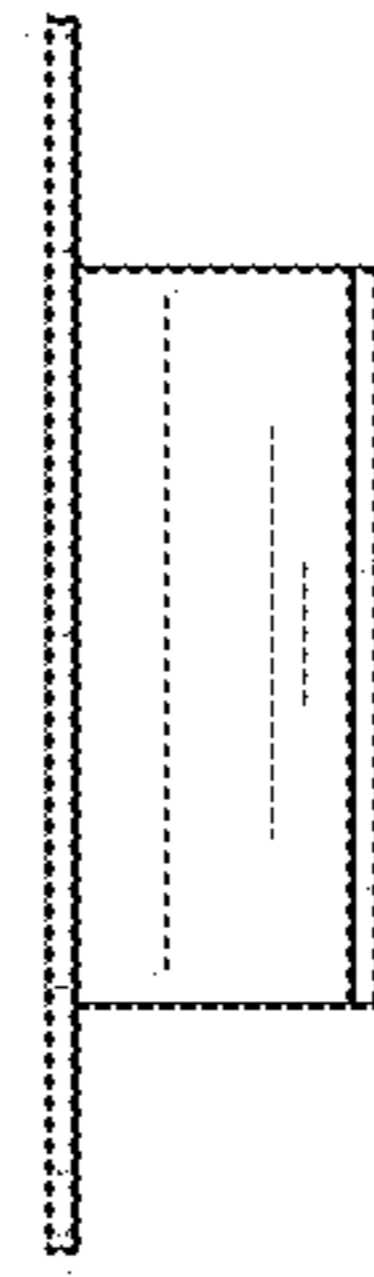


FIG. 5



FIG. 6



FIG. 7

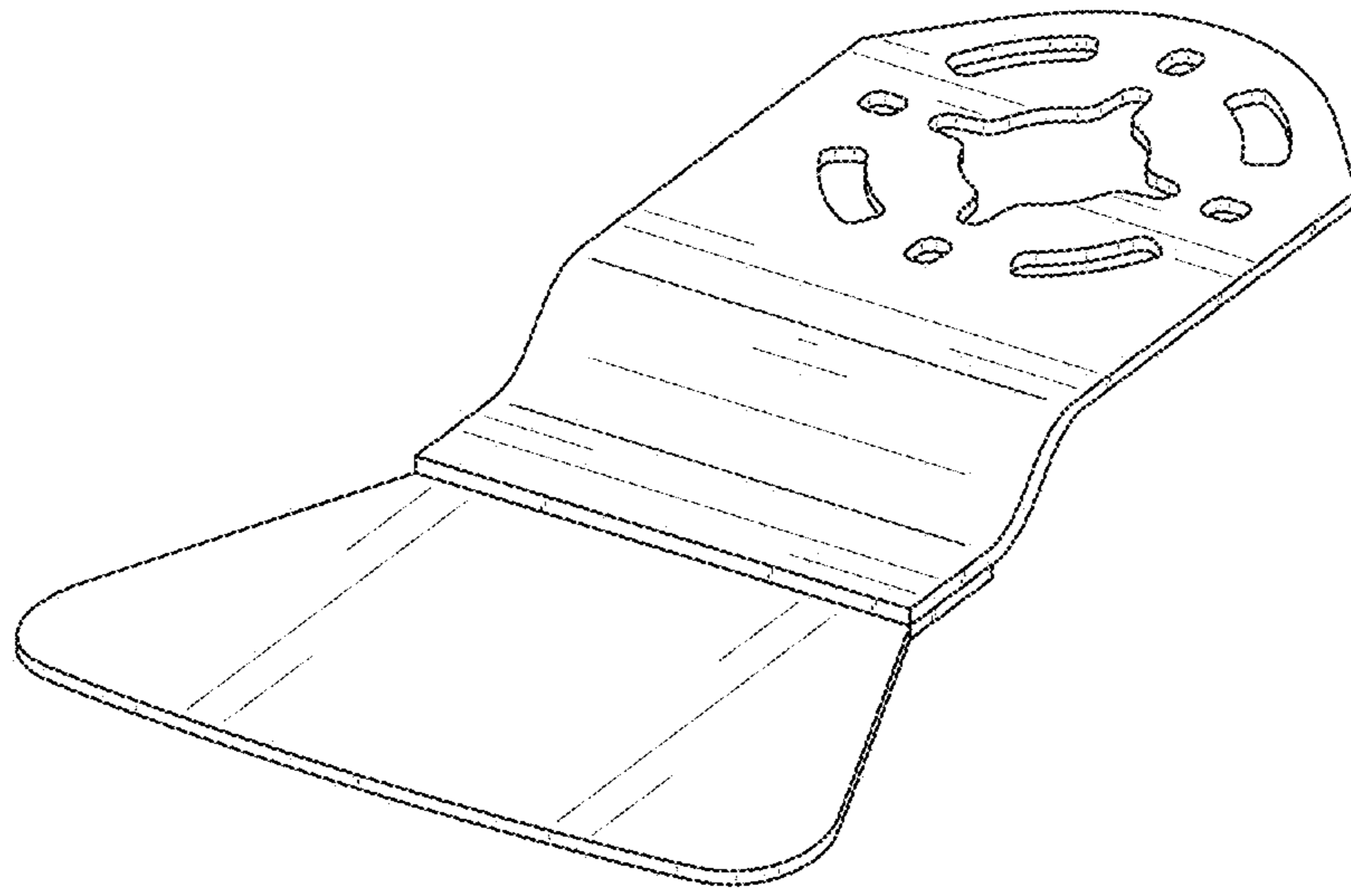


FIG. 8

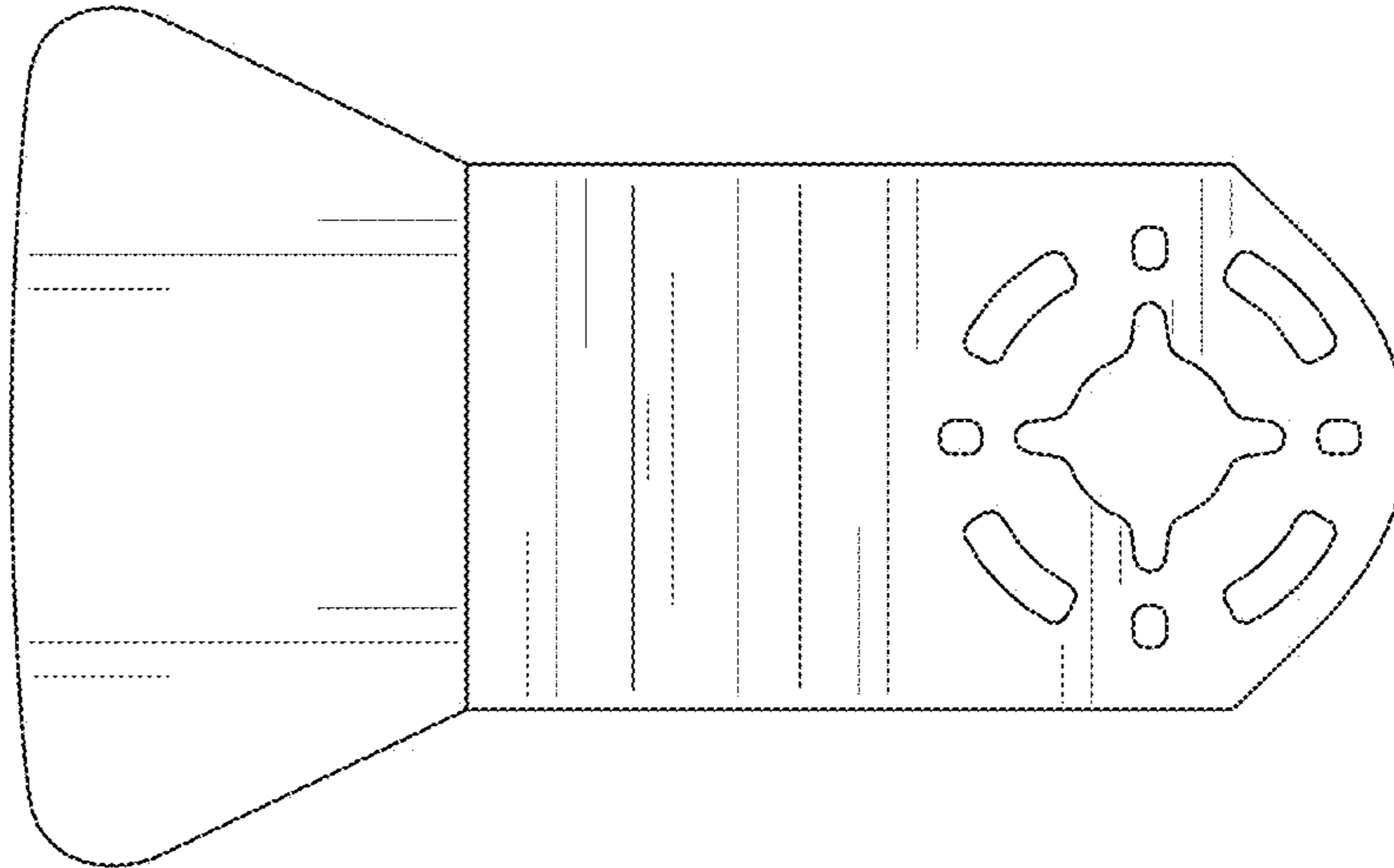


FIG. 9

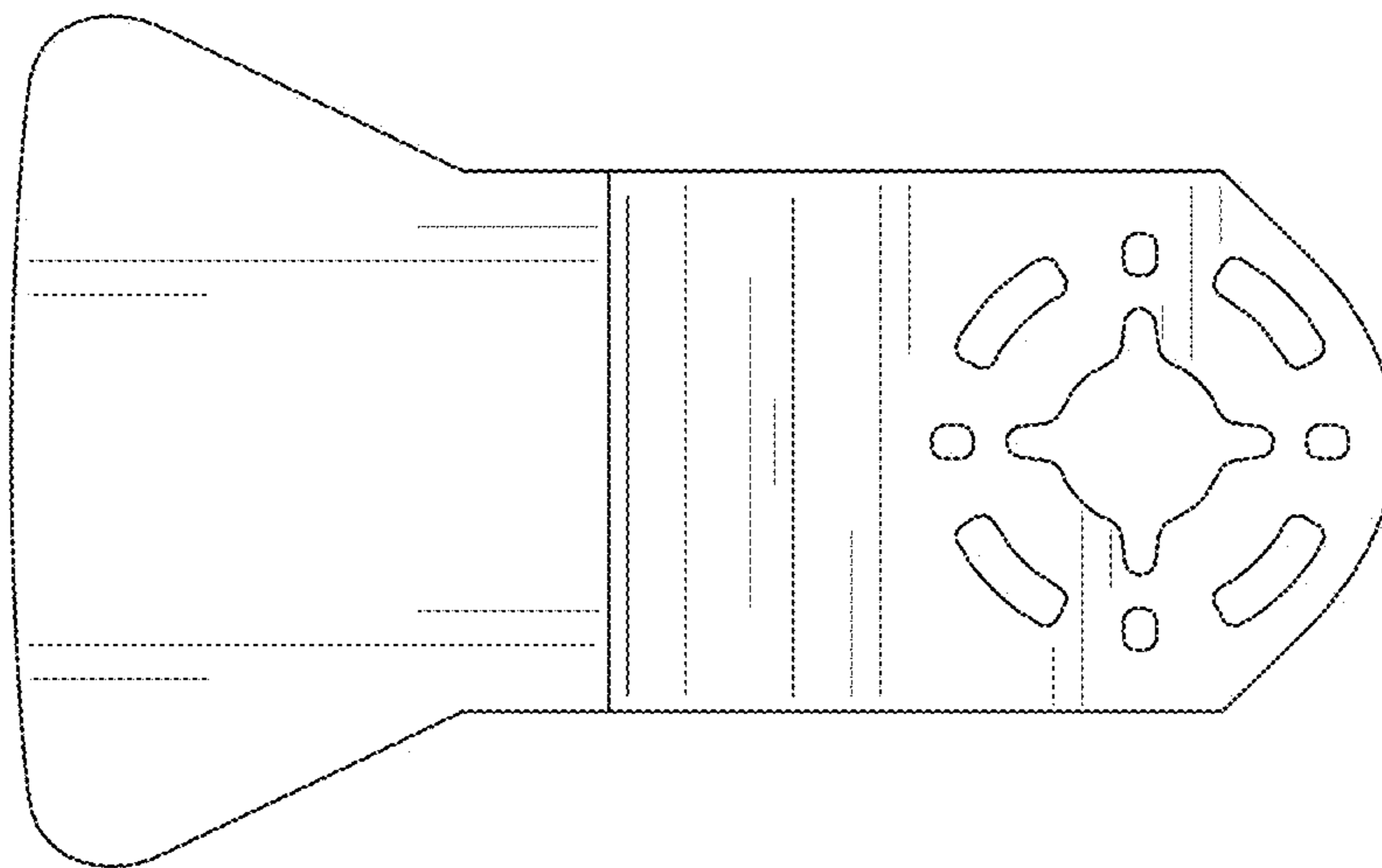


FIG. 10

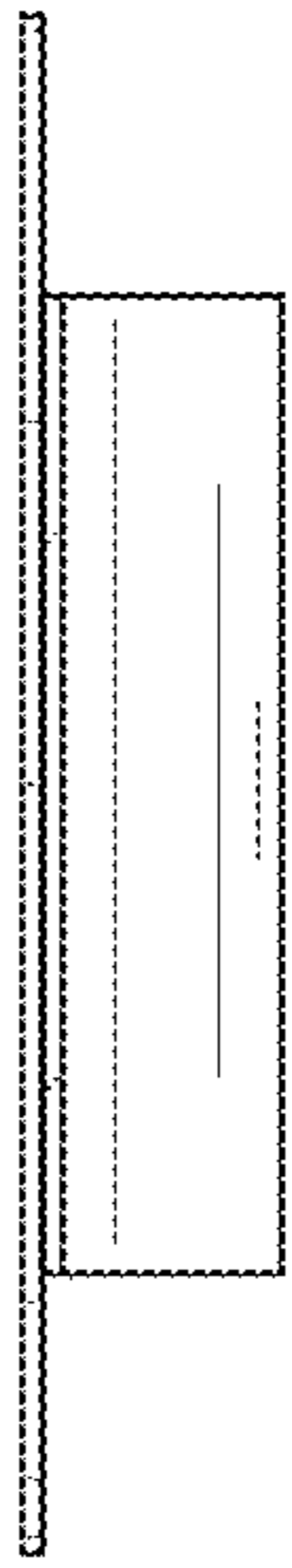


FIG. 11

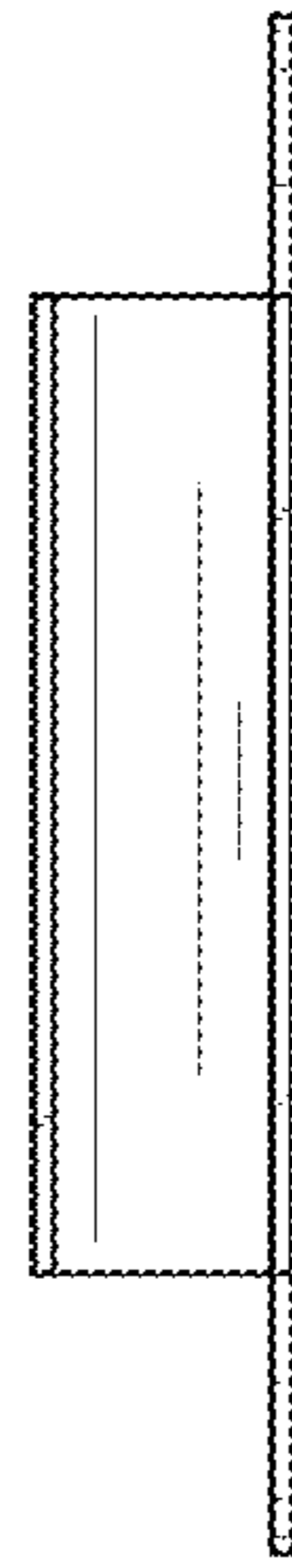


FIG. 12



FIG. 13



FIG. 14