

US00D697383S

(12) **United States Design Patent**
Glogower

(10) **Patent No.:** **US D697,383 S**
(45) **Date of Patent:** **** Jan. 14, 2014**

(54) **WHALE STAPLER**

(71) Applicant: **Ariel David Glogower**, Brooklyn, NY
(US)

(72) Inventor: **Ariel David Glogower**, Brooklyn, NY
(US)

(**) Term: **14 Years**

(21) Appl. No.: **29/445,327**

(22) Filed: **Feb. 11, 2013**

(51) **LOC (10) Cl.** **19-02**

(52) **U.S. Cl.**
USPC **D8/50**

(58) **Field of Classification Search**
USPC D8/48, 49, 50, 61, 68, 69, 70; D19/72,
D19/73, 65, 69; D21/532; D24/145; 7/158,
7/160; 227/4, 5, 6, 7, 8, 120, 127, 128,
227/131, 132, 134, 144, 156, 175.1;
606/139, 143, 153, 219

See application file for complete search history.

(56) **References Cited**

U.S. PATENT DOCUMENTS

D478,799 S *	8/2003	Chi Kuo	D8/50
D482,584 S *	11/2003	Racamier	D8/50
D505,606 S *	5/2005	Sinisi	D8/50
D514,905 S *	2/2006	Bhavnani	D8/50
D538,120 S *	3/2007	Arns	D8/50
D587,976 S *	3/2009	Cunningham et al.	D8/50
D589,314 S *	3/2009	Irago	D8/50
D638,272 S *	5/2011	Chen	D8/50
D647,769 S *	11/2011	Chen et al.	D8/50

* cited by examiner

Primary Examiner — Austin Murphy

(74) *Attorney, Agent, or Firm* — Ernesto Garcia

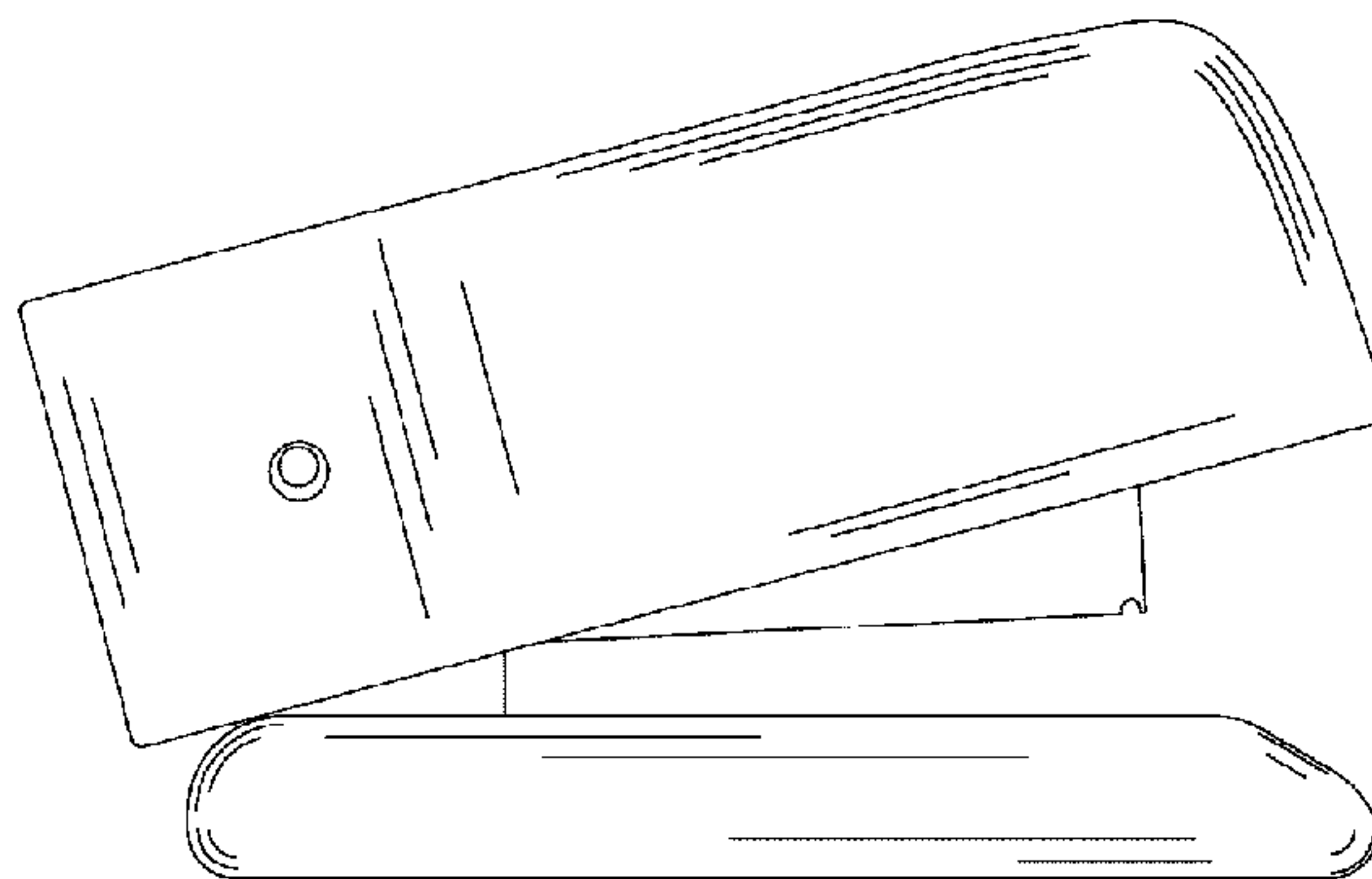
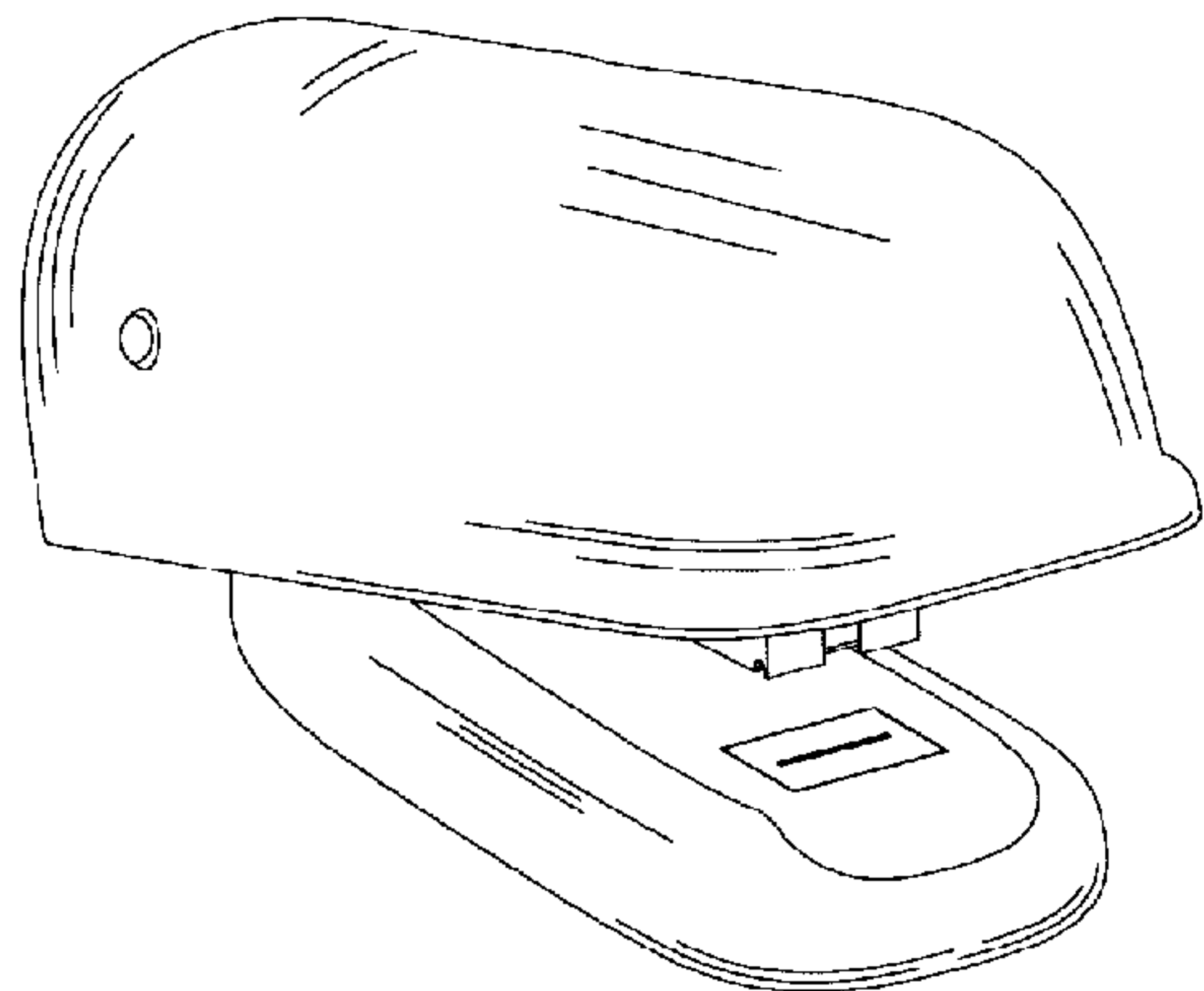
(57) **CLAIM**

The ornamental design for a whale stapler, as shown.

DESCRIPTION

FIG. 1 is a perspective view from one side of a whale stapler, showing my new design.
FIG. 2 is a left side plan view thereof;
FIG. 3 is a top plan view thereof;
FIG. 4 is front plan view thereof; and,
FIG. 5 is back plan view thereof.

1 Claim, 2 Drawing Sheets



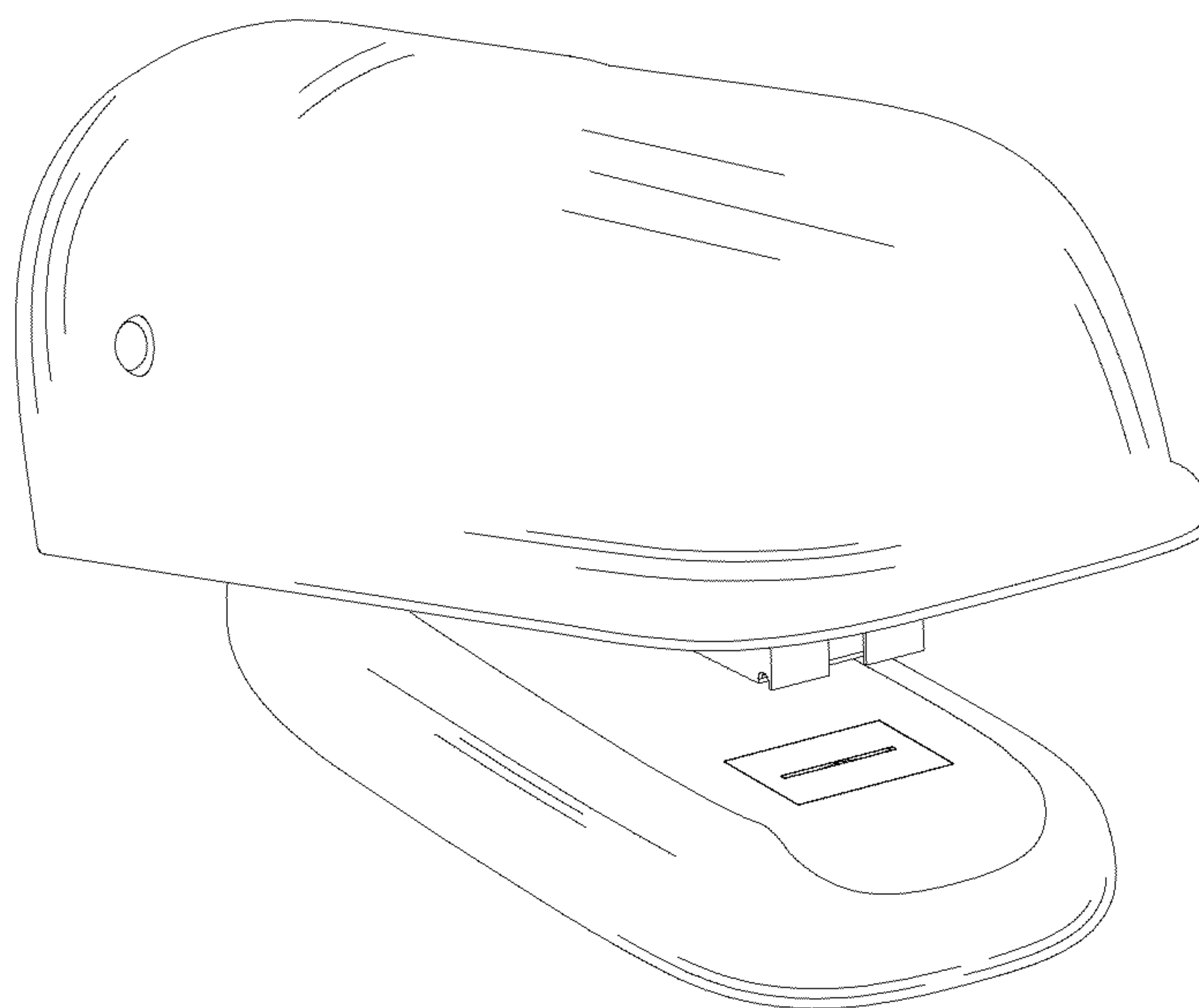


Figure 1

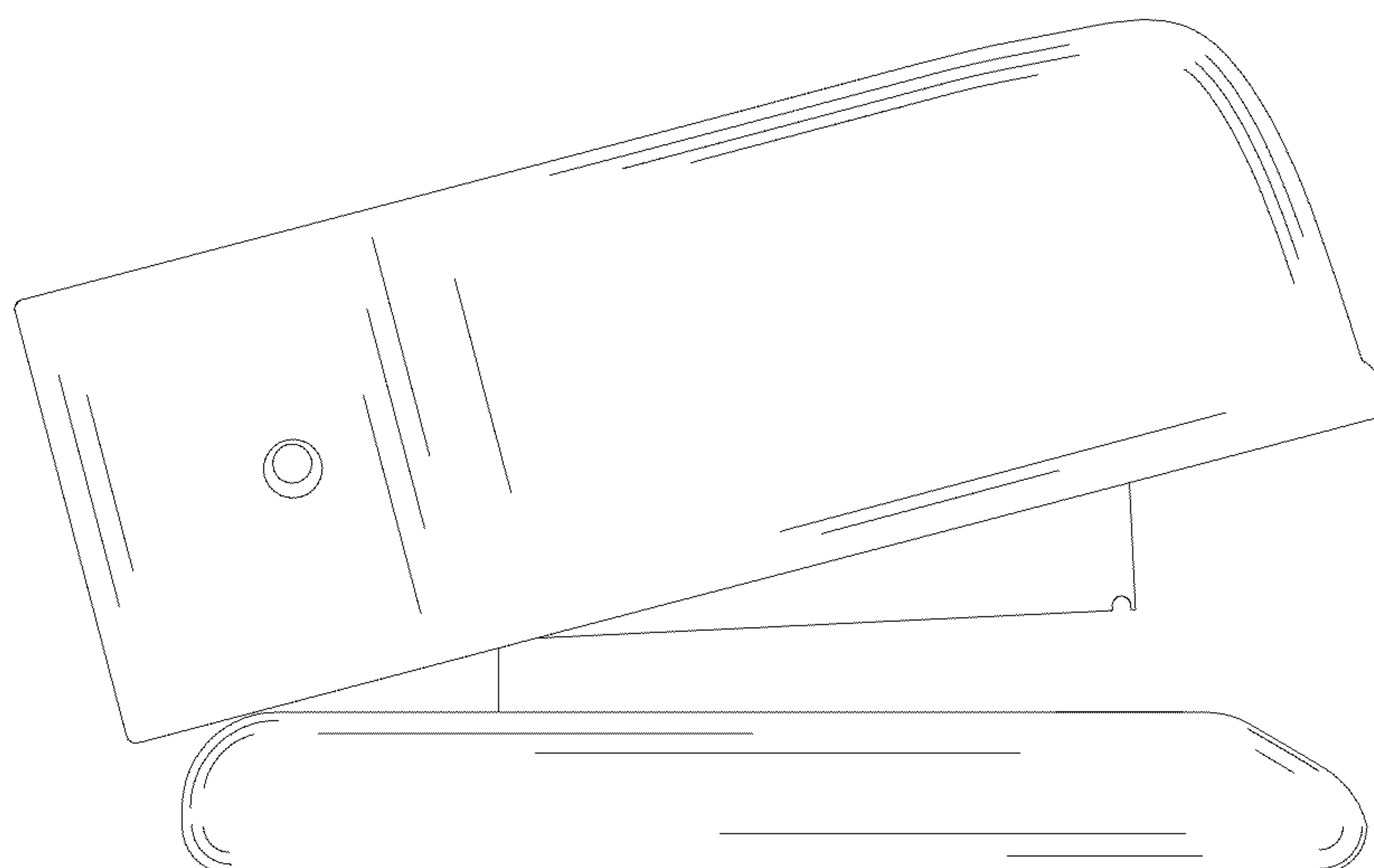


Figure 2

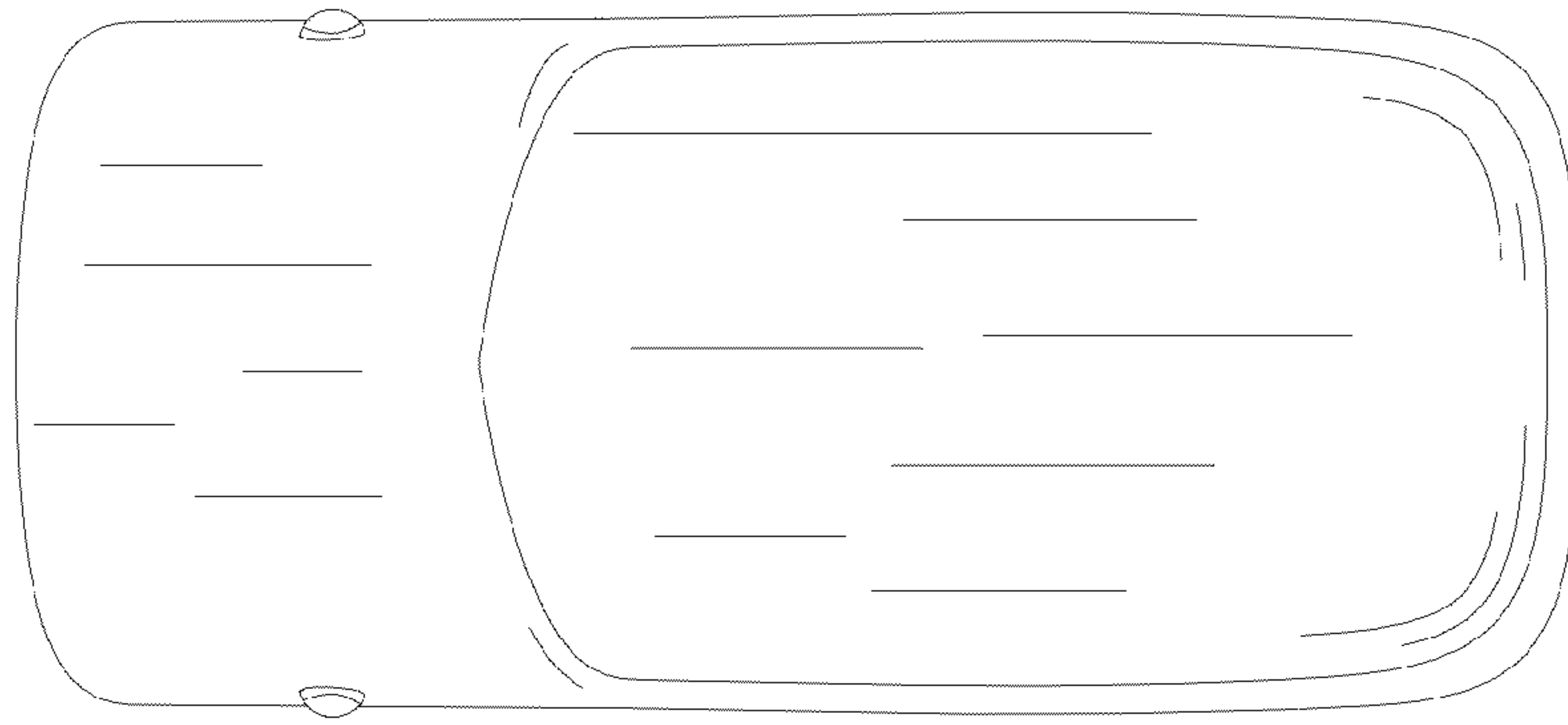


Figure 3

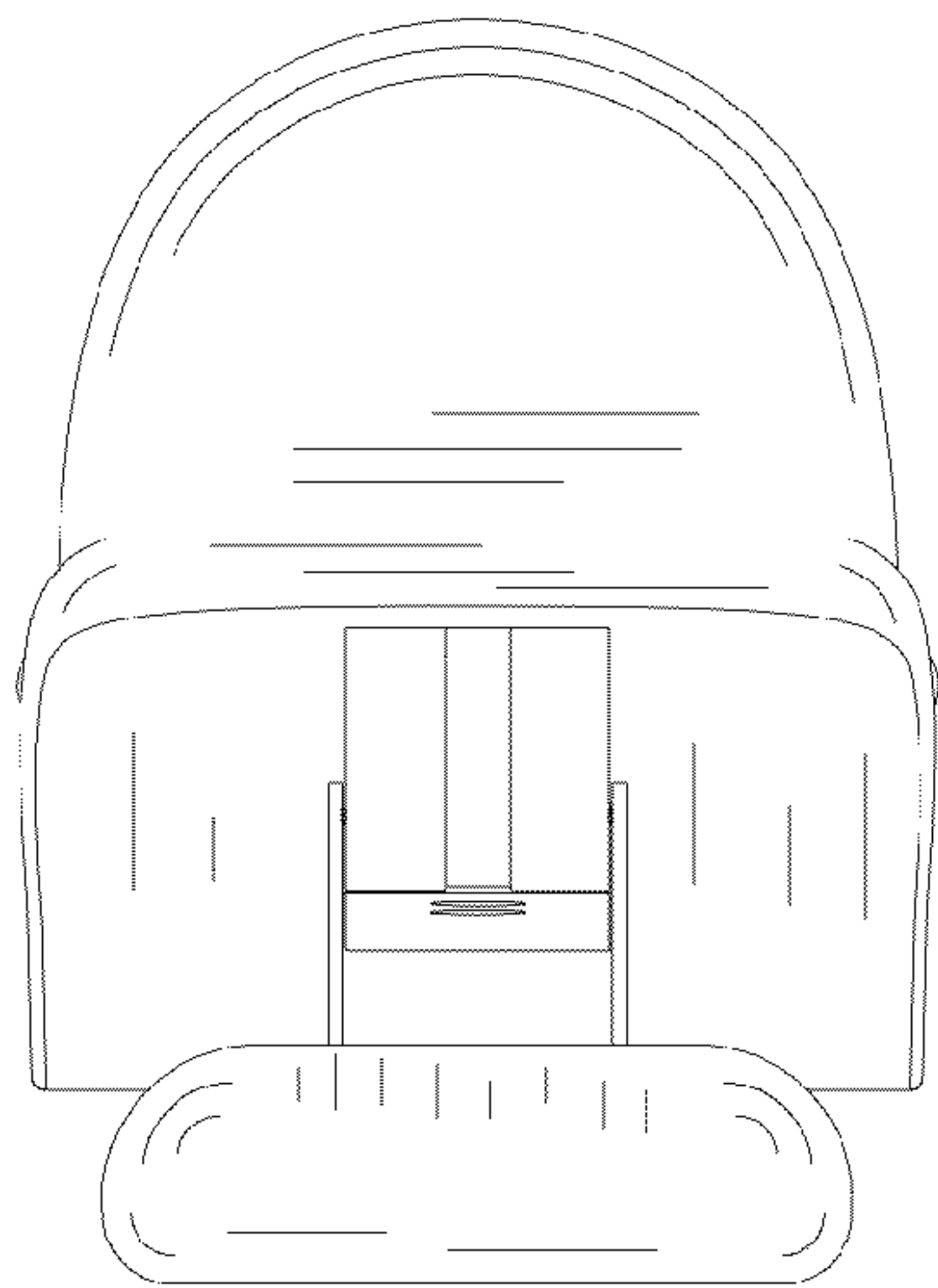


Figure 4

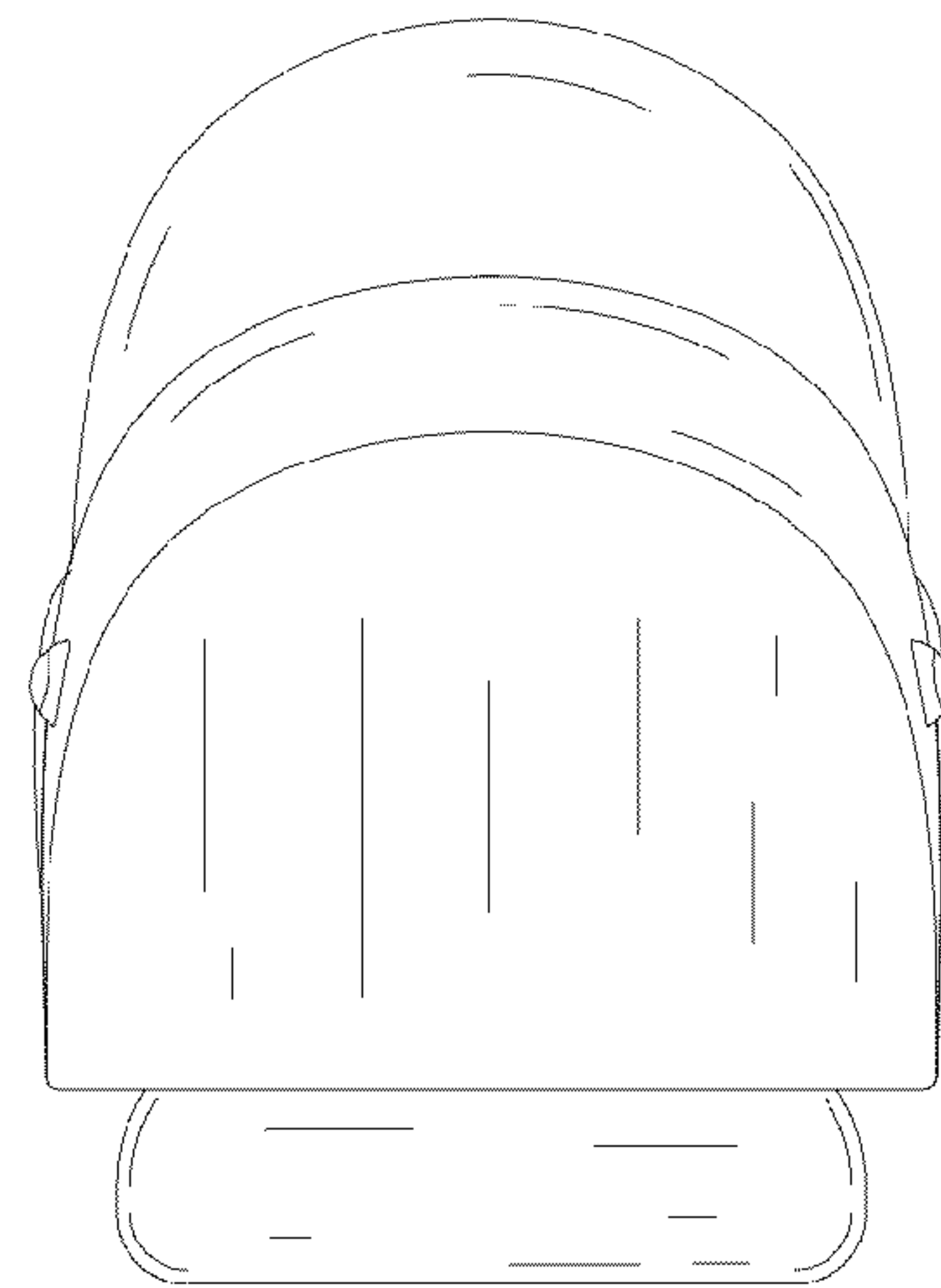


Figure 5