



US00D697382S

(12) **United States Design Patent**
Stephens

(10) **Patent No.:** **US D697,382 S**
(45) **Date of Patent:** **** Jan. 14, 2014**

(54) **SPADE AND SHOVEL COMBINATION TOOL**

(71) Applicant: **Gary J. Stephens**, Montauk, NY (US)

(72) Inventor: **Gary J. Stephens**, Montauk, NY (US)

(**) Term: **14 Years**

(21) Appl. No.: **29/441,045**

(22) Filed: **Dec. 31, 2012**

(51) **LOC (10) Cl.** **08-01**

(52) **U.S. Cl.**
USPC **D8/10**

(58) **Field of Classification Search**
USPC D8/7, 10; 294/49, 53.5, 54.5, 57, 55.5,
294/51, 56, 58; 56/400.01, 400.14;
172/371-372

See application file for complete search history.

(56) **References Cited**

U.S. PATENT DOCUMENTS

1,046,616	A	12/1912	Loftsgaarden	
D190,870	S *	7/1961	Blankenship	D8/10
D283,196	S *	4/1986	Hasse	D8/10
4,916,984	A	4/1990	Albert	
D332,555	S	1/1993	Hagerman	
D339,038	S *	9/1993	Pohlmann	D8/10

D353,308	S *	12/1994	Spengler et al.	D8/10
5,669,649	A	9/1997	Metcalf et al.	
6,138,769	A *	10/2000	Breyer	172/380
D437,532	S *	2/2001	Petruzzelli	D8/10
D588,882	S	3/2009	Baker, II	
8,533,896	B2 *	9/2013	Lemke	15/236.02
2008/0309106	A1	12/2008	Baker, II	

* cited by examiner

Primary Examiner — Sheryl Lane

(74) *Attorney, Agent, or Firm* — Montgomery Patent & Design; Robert C. Montgomery

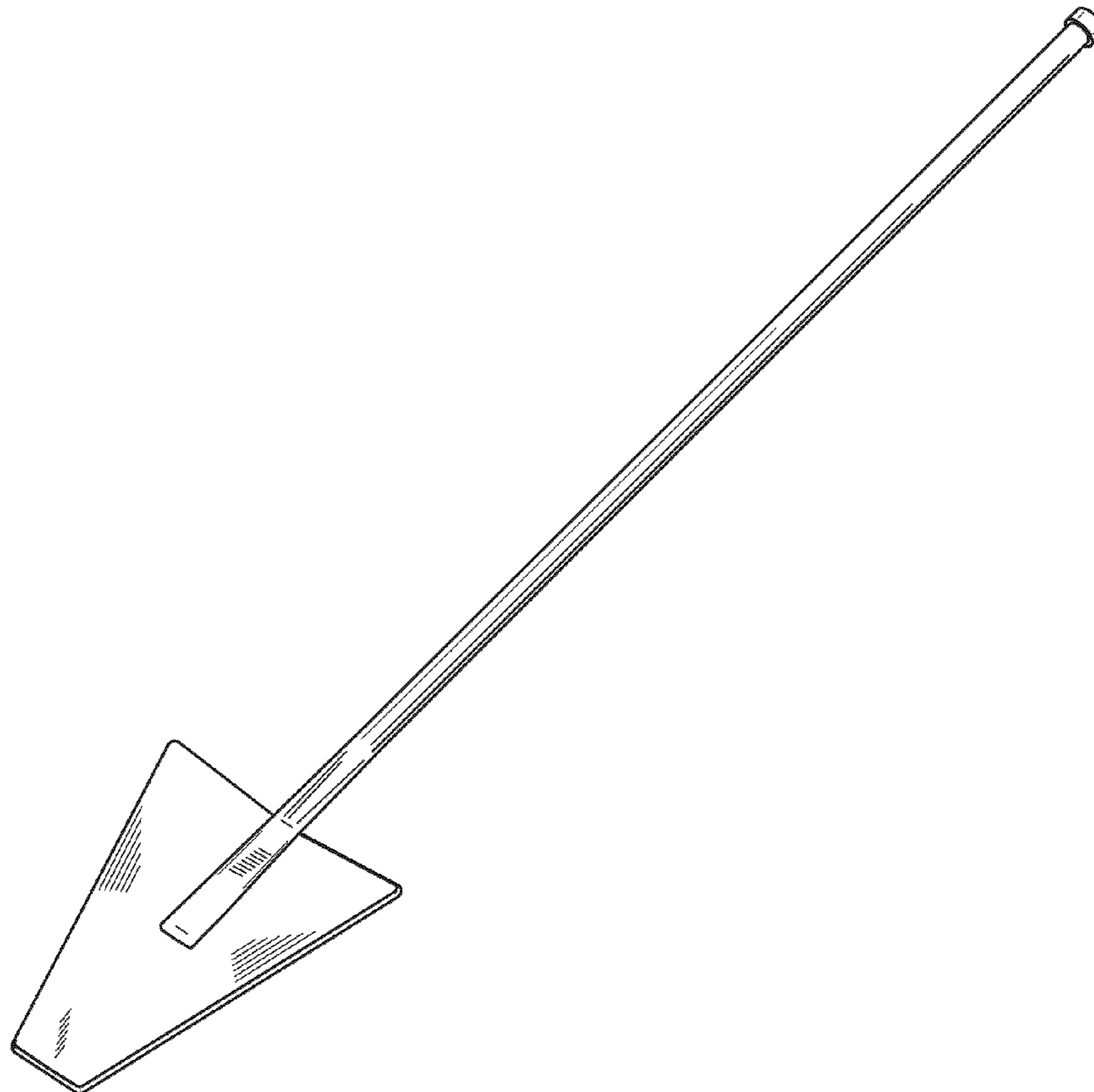
(57) **CLAIM**

The ornamental design for a spade and shovel combination tool, as shown and described.

DESCRIPTION

FIG. 1 is a perspective view of a spade and shovel combination tool, showing my new design;
FIG. 2 is a front view thereof;
FIG. 3 is a rear view thereof;
FIG. 4 is a left hand view thereof;
FIG. 5 is a right hand view thereof;
FIG. 6 is a top view thereof; and,
FIG. 7 is a bottom view thereof.

1 Claim, 6 Drawing Sheets



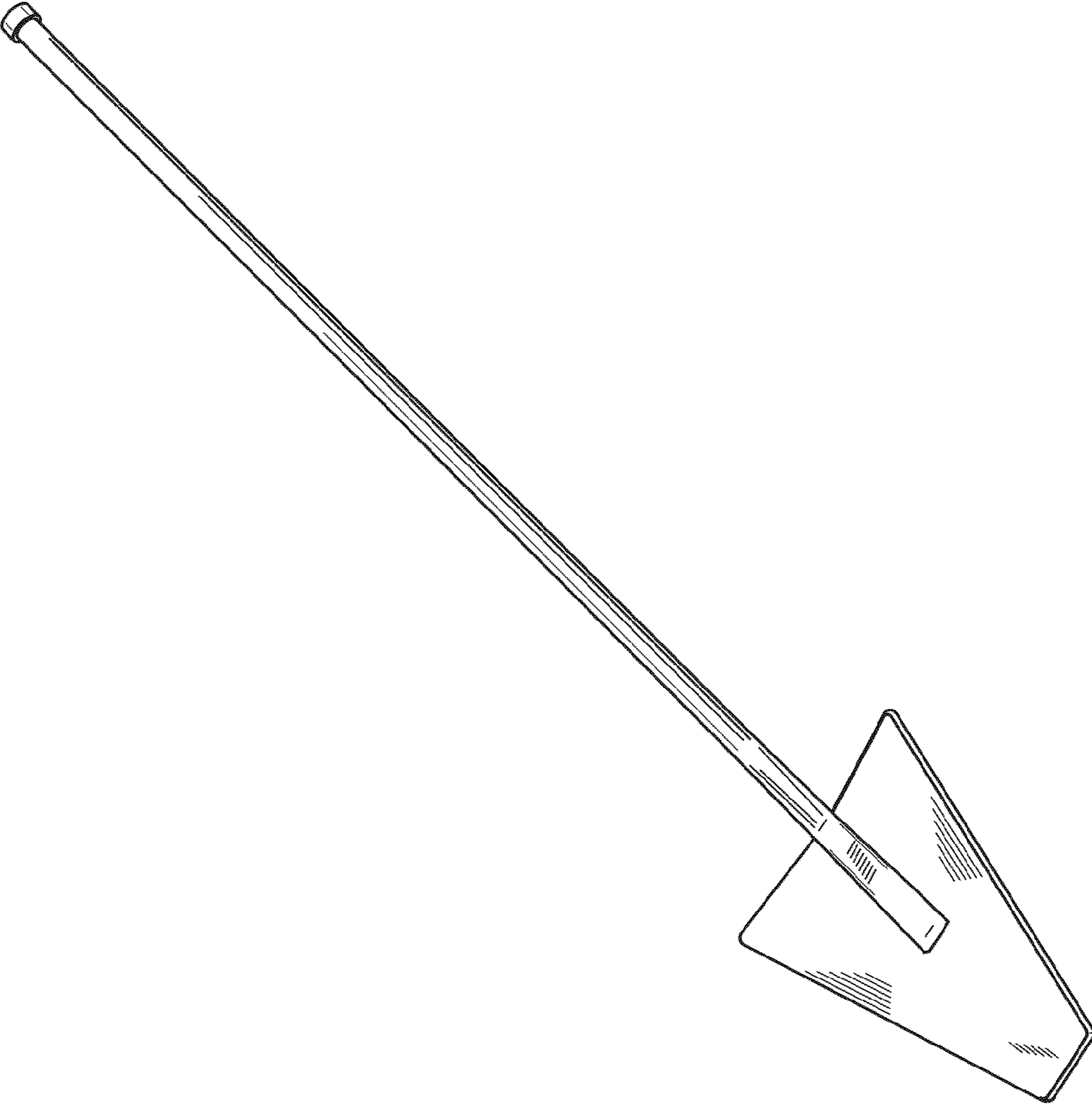


Fig. 1



Fig. 3

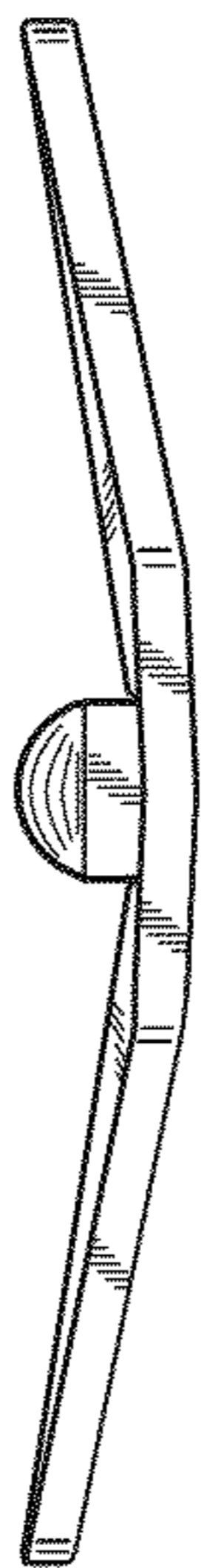


Fig. 2



Fig. 4



Fig. 5

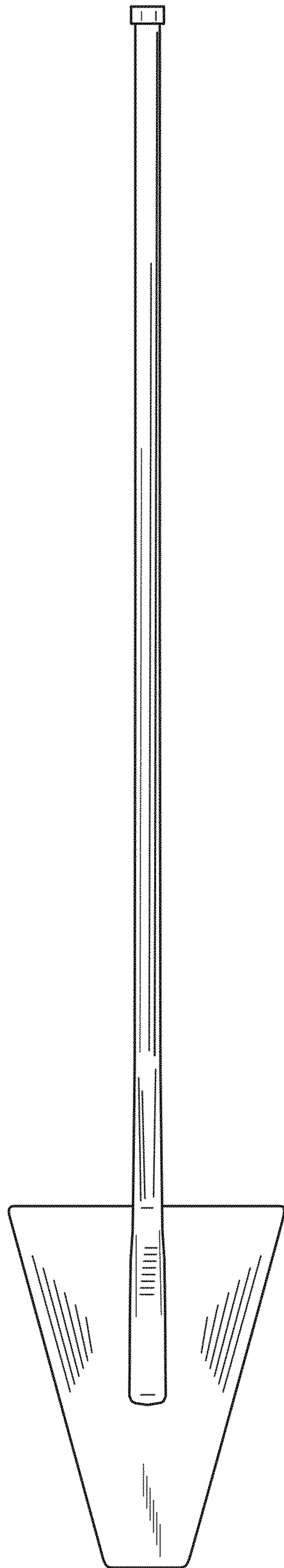


Fig. 6

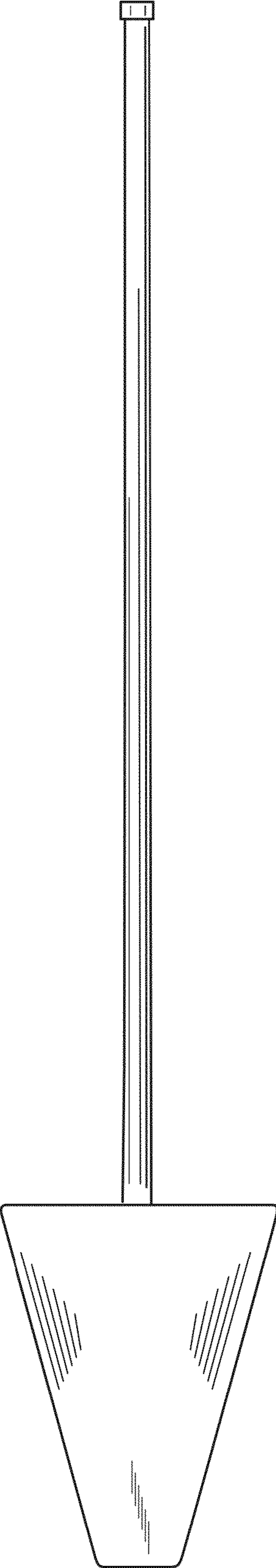


Fig. 7