

US00D697381S

(12) **United States Design Patent**  
**Ghafoorzai**

(10) **Patent No.:** **US D697,381 S**

(45) **Date of Patent:** **\*\* Jan. 14, 2014**

(54) **PLANT STEM HOLDER WITH WATER SUPPLY**

D630,707 S \* 1/2011 Strabo et al. .... D23/214

\* cited by examiner

(76) Inventor: **Serkai Ghafoorzai**, Fremont, CA (US)

*Primary Examiner* — Sheryl Lane

(\*\*) Term: **14 Years**

(57) **CLAIM**

(21) Appl. No.: **29/430,450**

The ornamental design for a plant stem holder with water supply, as shown and described.

(22) Filed: **Aug. 24, 2012**

**DESCRIPTION**

(51) **LOC (10) Cl.** ..... **08-01**

(52) **U.S. Cl.**

USPC ..... **D8/1**

(58) **Field of Classification Search**

USPC ..... D8/1; D23/214; 47/44, 39, 79

See application file for complete search history.

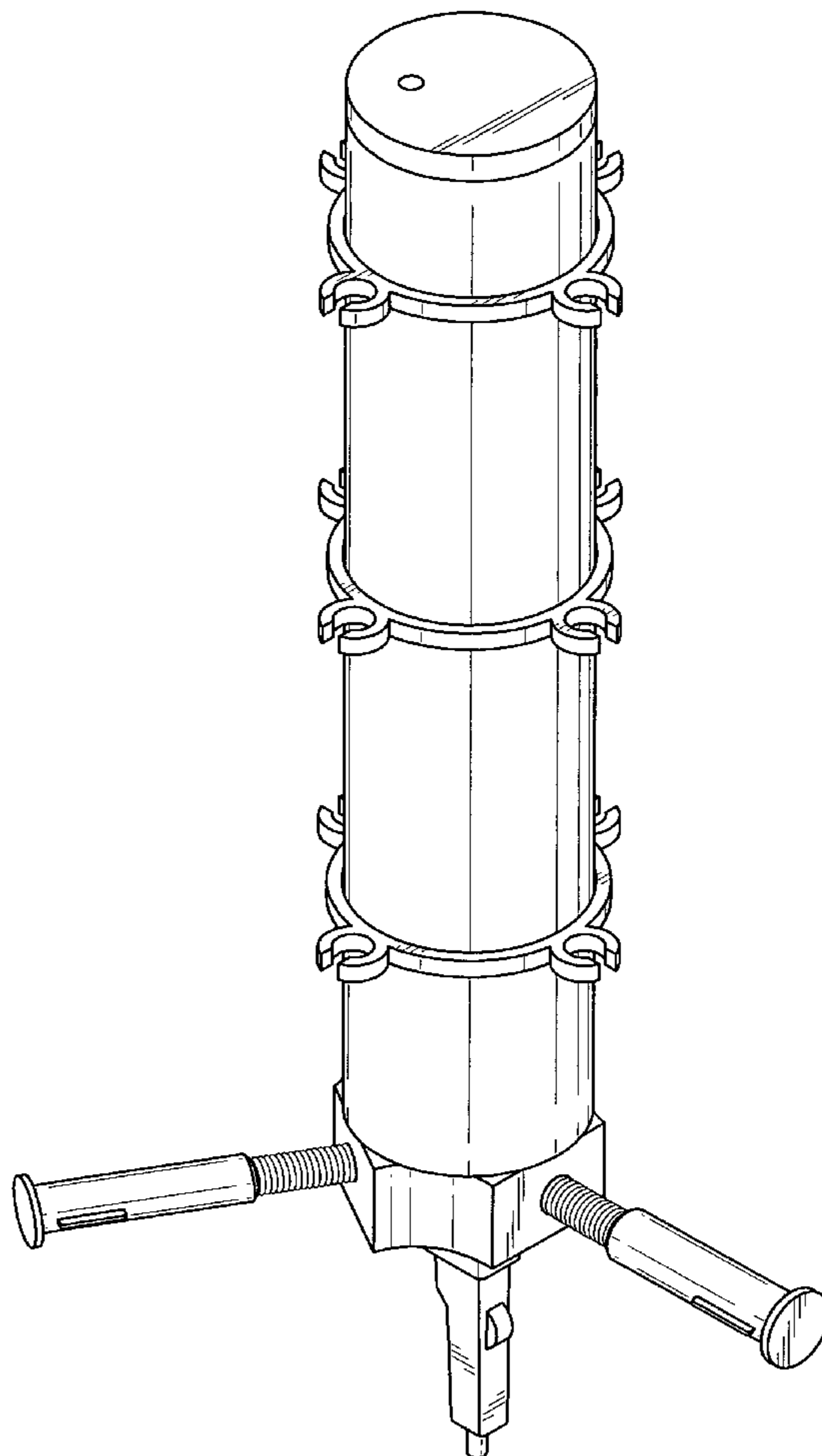
(56) **References Cited**

**U.S. PATENT DOCUMENTS**

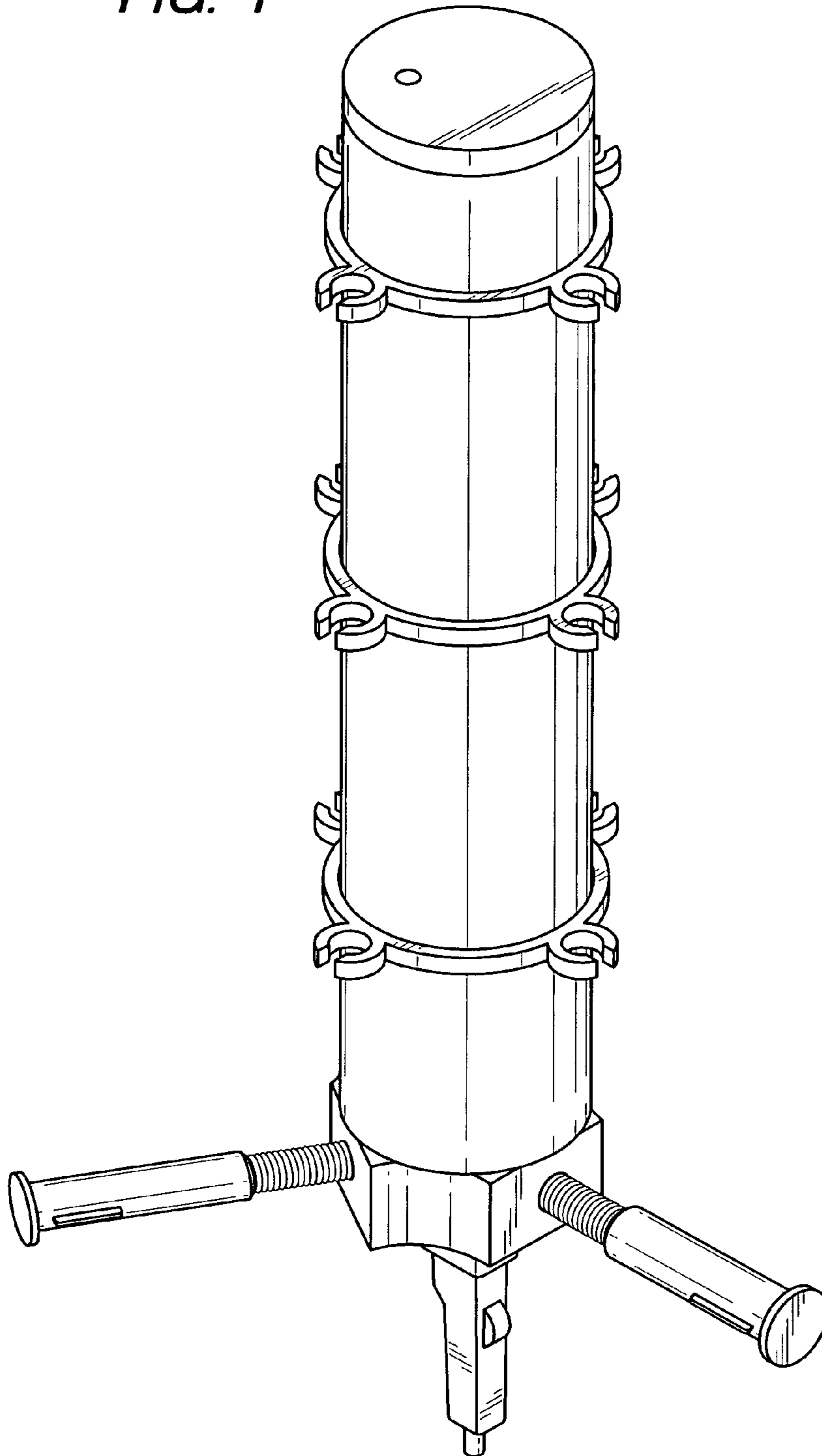
D305,716 S *	1/1990	Ghafoorzai	.....	D8/1
H824 H *	10/1990	Ghafoorzai	.....	47/44
5,557,885 A *	9/1996	Sledge	.....	47/66.6
6,612,070 B1 *	9/2003	Effa	.....	47/39
D541,606 S *	5/2007	Griffin et al.	.....	D8/1

FIG. 1 is a perspective view of the plant stem holder with water supply showing my new design;  
 FIG. 2 is a front elevational view of the plant stem holder with water supply showing my new design;  
 FIG. 3 is a side elevational view of the plant stem holder with water supply showing my new design;  
 FIG. 4 is a back elevational view of the plant stem holder with water supply showing my new design;  
 FIG. 5 is a top plan view of the plant stem holder with water supply showing my new design; and,  
 FIG. 6 is a bottom plan view of the plant stem holder with water supply showing my new design.

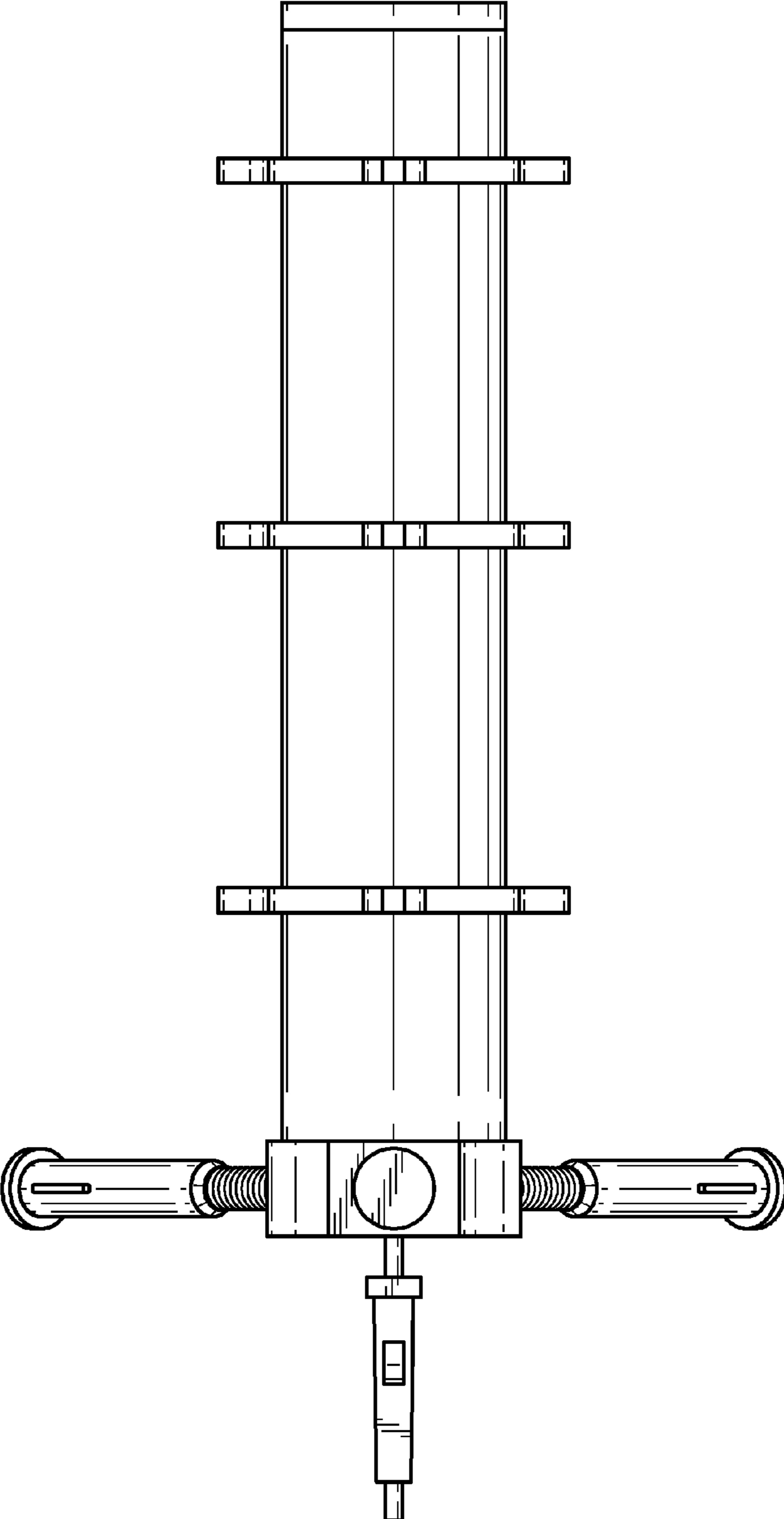
**1 Claim, 5 Drawing Sheets**



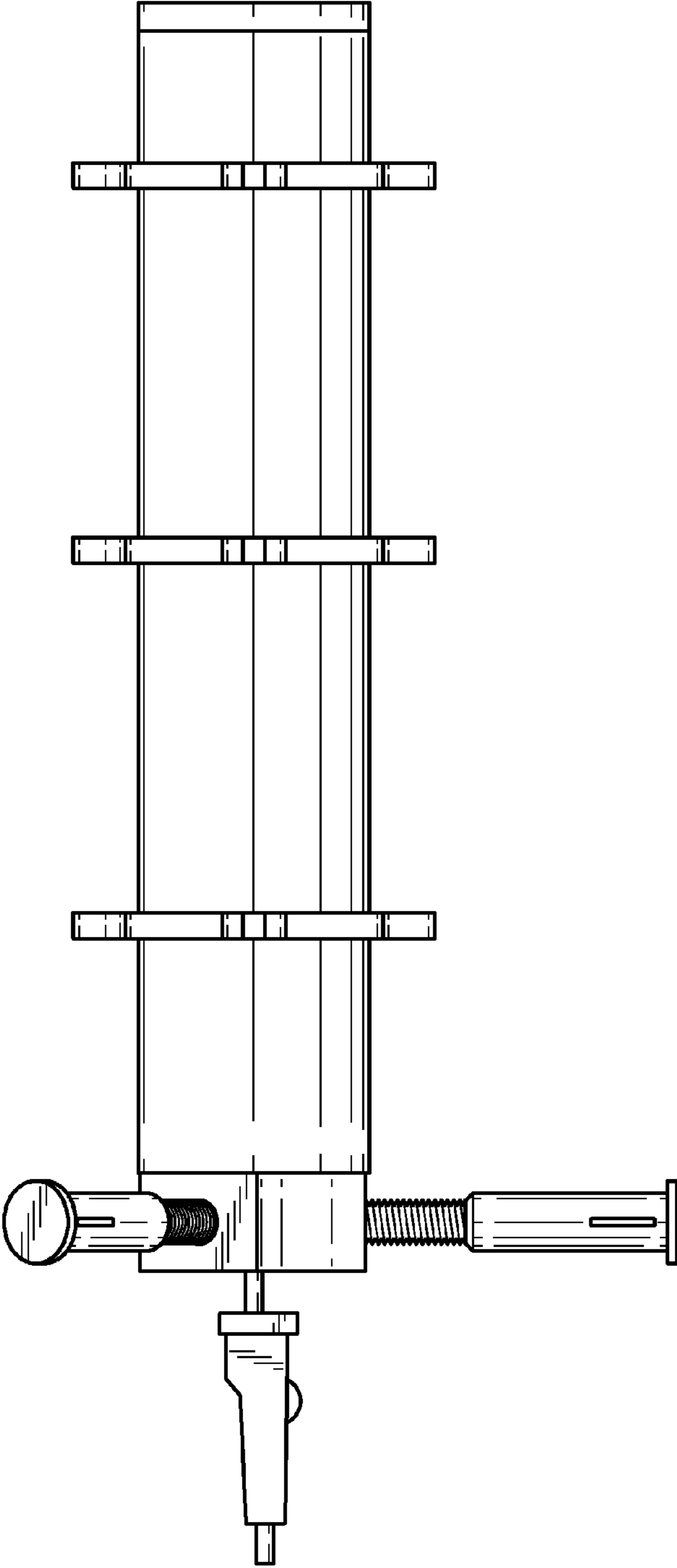
*FIG. 1*



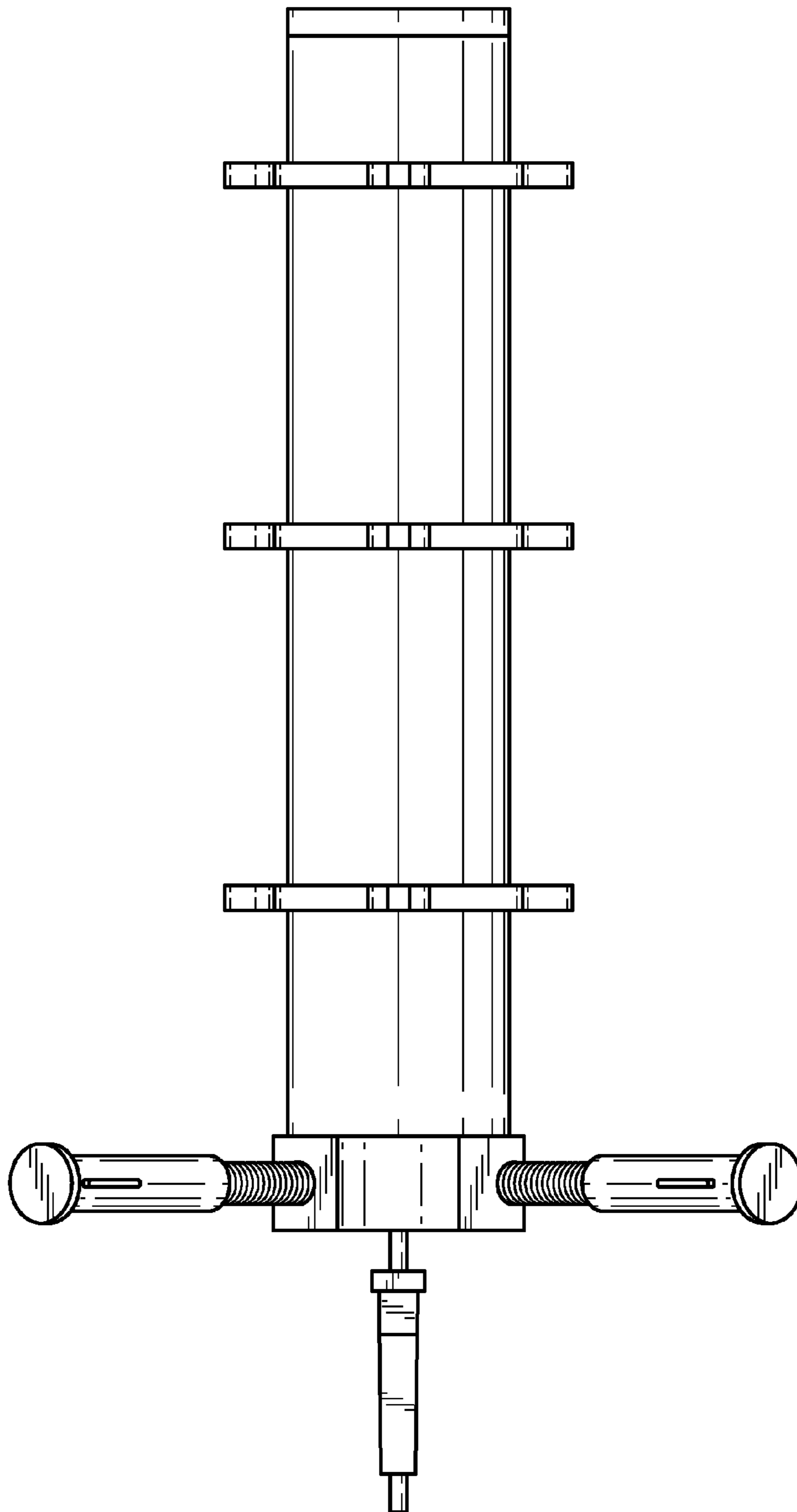
**FIG. 2**



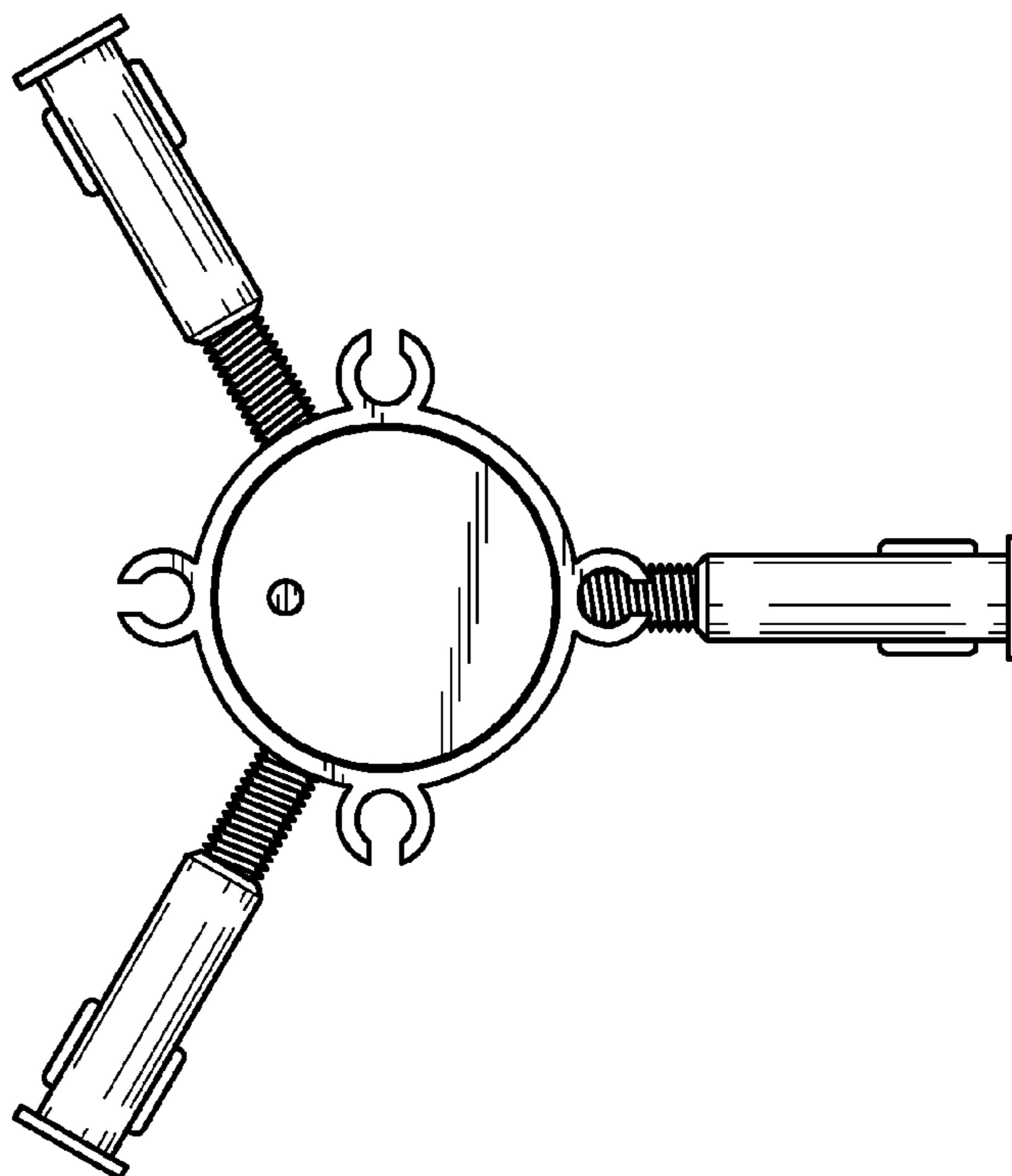
**FIG. 3**



**FIG. 4**



**FIG. 5**



**FIG. 6**

