



US00D697379S

(12) **United States Design Patent**
Puruganan

(10) **Patent No.:** **US D697,379 S**
(45) **Date of Patent:** **** Jan. 14, 2014**

(54) **KITCHENWARE ORGANIZER**

(71) Applicant: **Andre Puruganan**, Hayward, CA (US)
(72) Inventor: **Andre Puruganan**, Hayward, CA (US)
(**) Term: **14 Years**

(21) Appl. No.: **29/457,773**

(22) Filed: **Jun. 13, 2013**

(51) **LOC (10) Cl.** **07-06**

(52) **U.S. Cl.**
USPC **D7/673**

(58) **Field of Classification Search**

USPC D7/631-634, 704, 600.1-600.4;
D19/90, 86, 75; D6/673, 675.2, 675.5,
D6/676.5, 677.5, 678.4, 680.3; 211/181.1,
211/85.31, 13.1, 41.1-41.4, 11, 126.9,
211/133.5; D32/55

See application file for complete search history.

(56) **References Cited**

U.S. PATENT DOCUMENTS

D314,098 S *	1/1991	Kee	D6/462
D421,062 S *	2/2000	Goodman et al.	D19/90
D439,716 S	3/2001	Wright		
D599,068 S *	8/2009	Yang et al.	D32/55
D628,858 S *	12/2010	Guindi	D7/637
D661,929 S *	6/2012	Purcell et al.	D6/525

OTHER PUBLICATIONS

http://www.bizrice.com/upload/20111223/Kitchen_Shelf_Wire_Rack_Household_Accessories_A108.jpg.
<http://i00.i.aliimg.com/wsphoto/v1/421094350/high-quality-Stainless-Steel-Dish-Rack-Cutlery-Holder-Dish-Drainer-Holder-Kitchen-Rack-N-W-2KG.jpg>.

* cited by examiner

Primary Examiner — Terry Wallace

(74) *Attorney, Agent, or Firm* — Raj Abhyanker, P.C.

(57) **CLAIM**

The ornamental design for a kitchenware organizer, as shown and described.

DESCRIPTION

FIG. 1 is a perspective view of a kitchenware organizer, showing my new design.

FIG. 2 is a front view of the kitchenware organizer of FIG. 1;

FIG. 3 is a back view of the kitchenware organizer of FIG. 1;

FIG. 4 is a left side view of the kitchenware organizer of FIG. 1;

FIG. 5 is a right side view of the kitchenware organizer of FIG. 1;

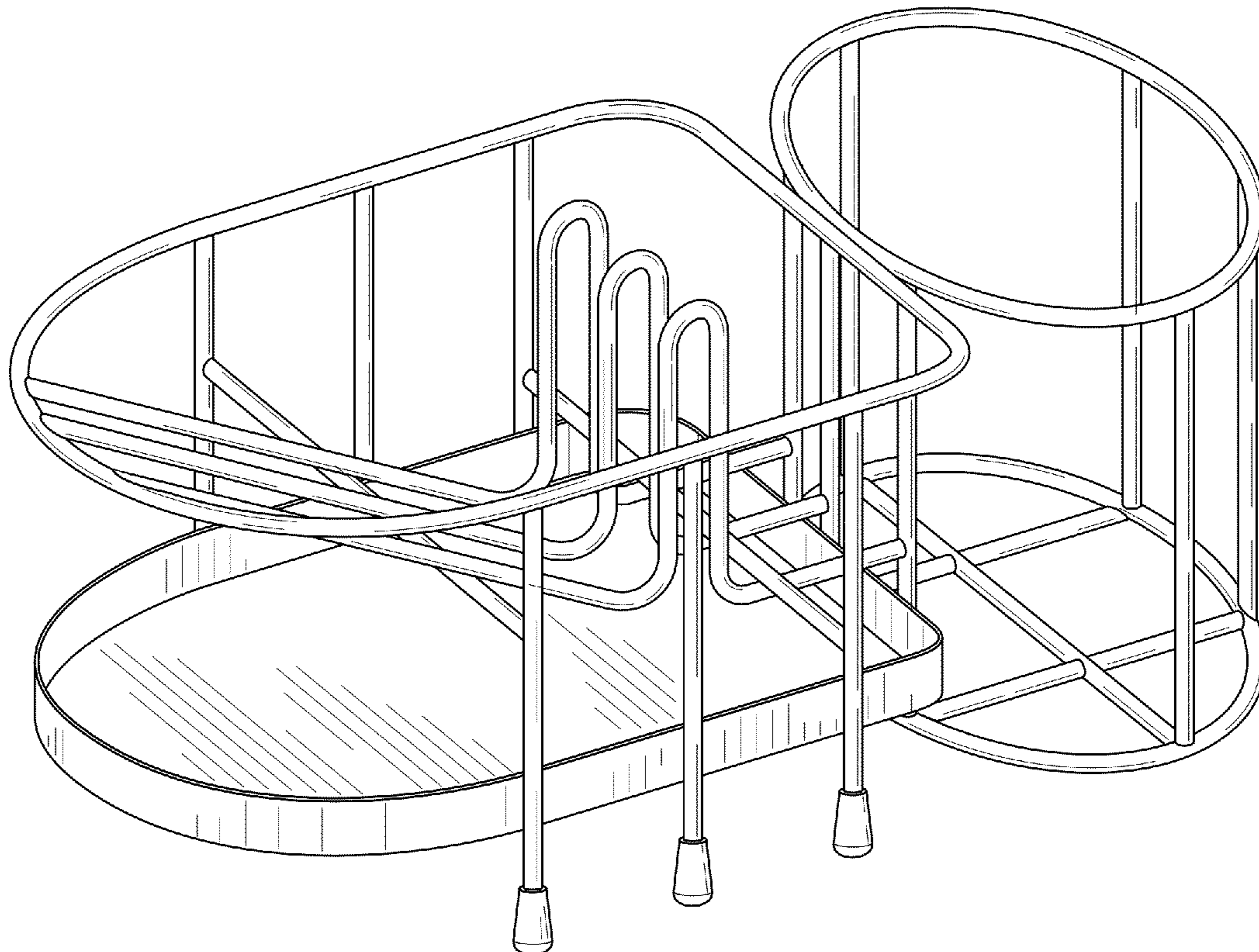
FIG. 6 is a top view of the kitchenware organizer of FIG. 1;

and,

FIG. 7 is a bottom view of the kitchenware organizer of FIG. 1.

1.

1 Claim, 4 Drawing Sheets



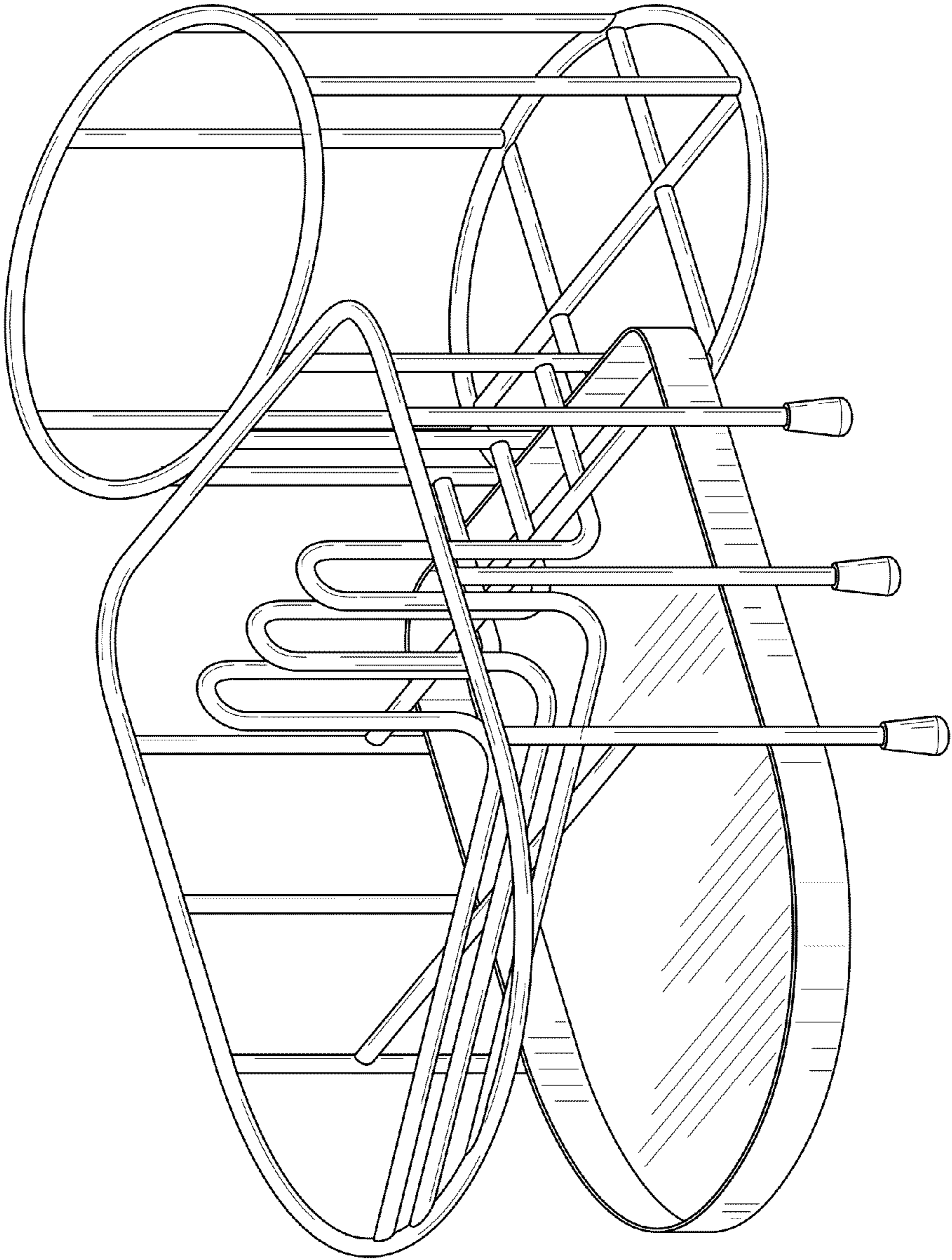


FIG. 1



FIG. 2

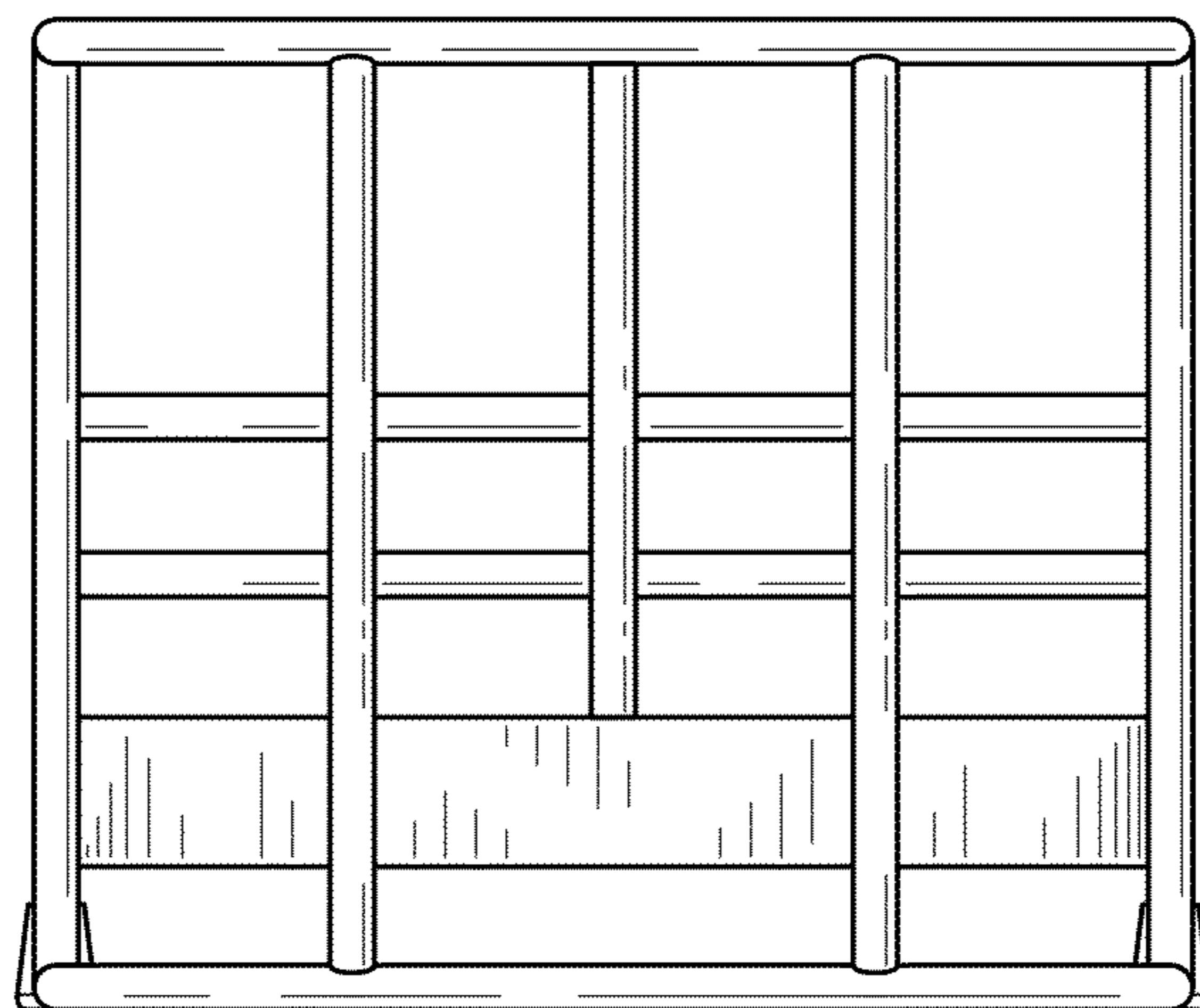


FIG. 3

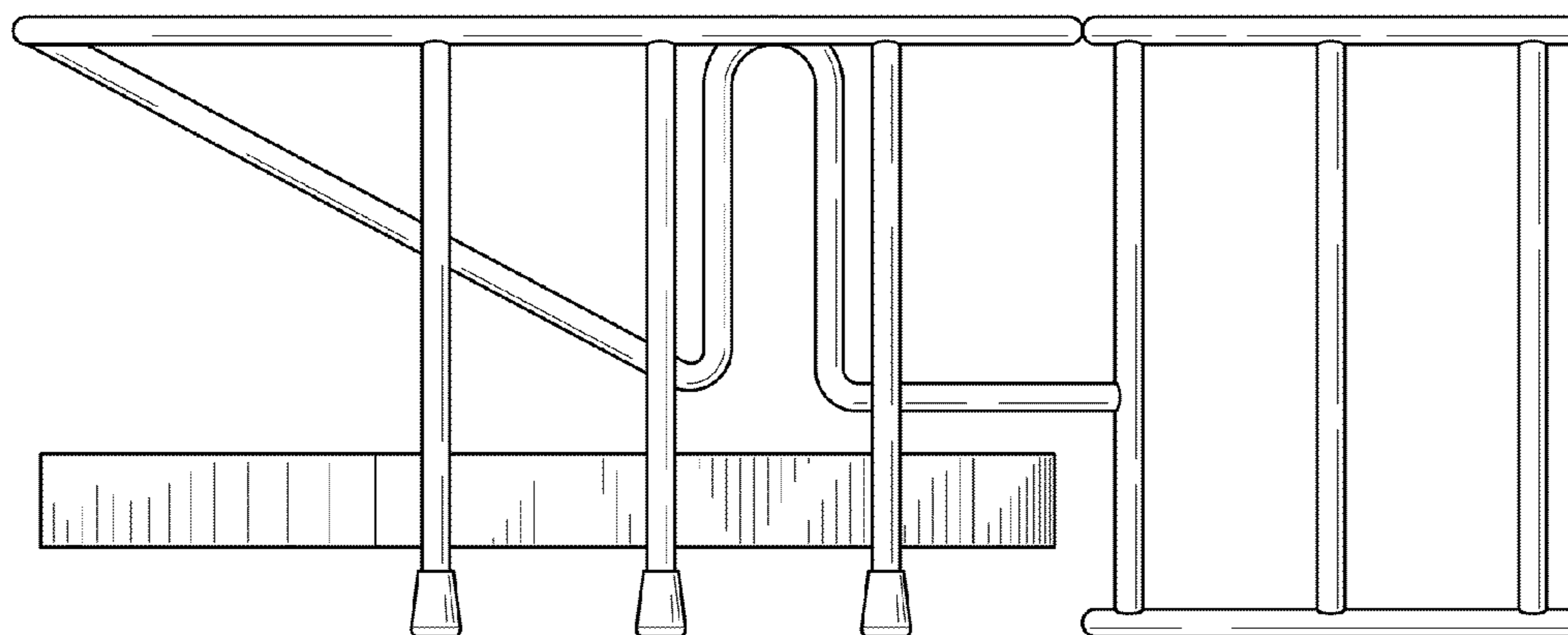


FIG. 4

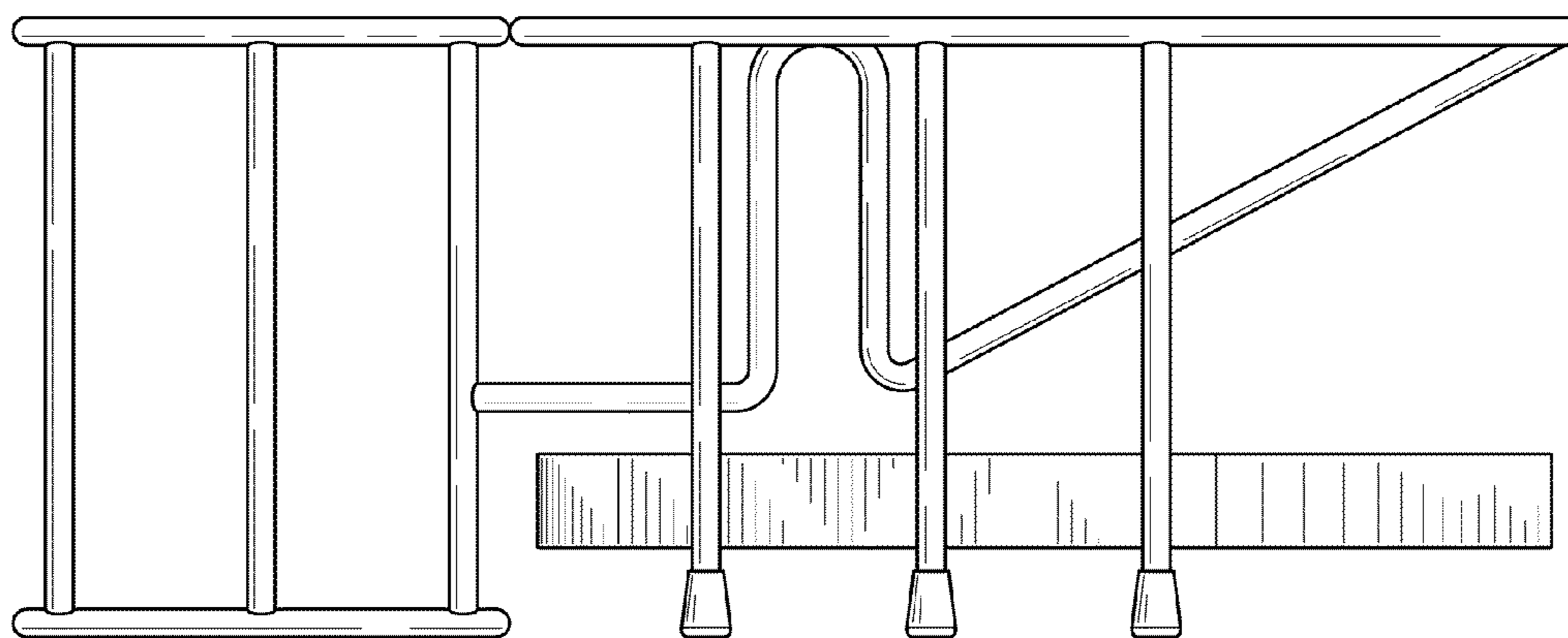


FIG. 5

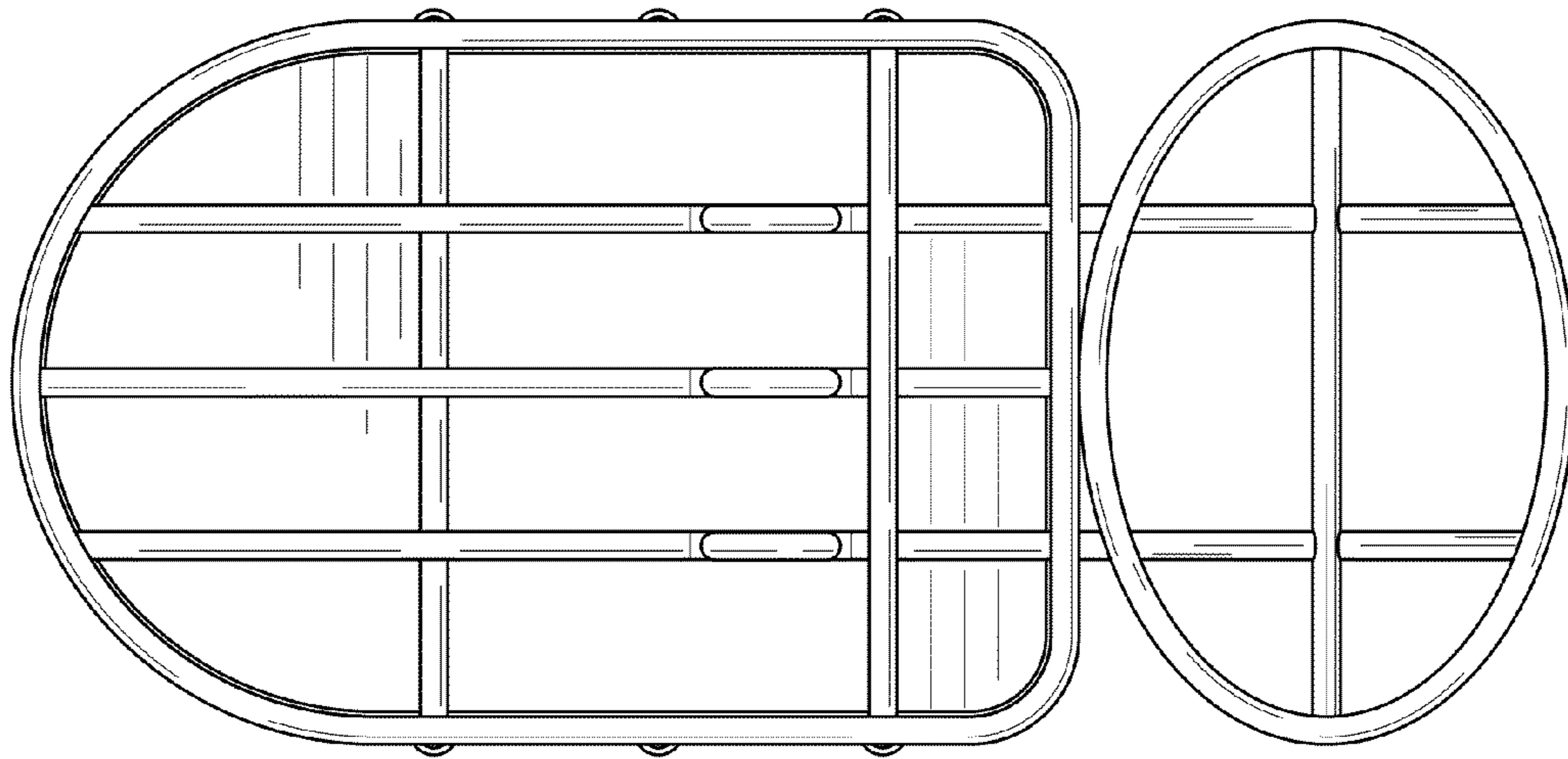


FIG. 6

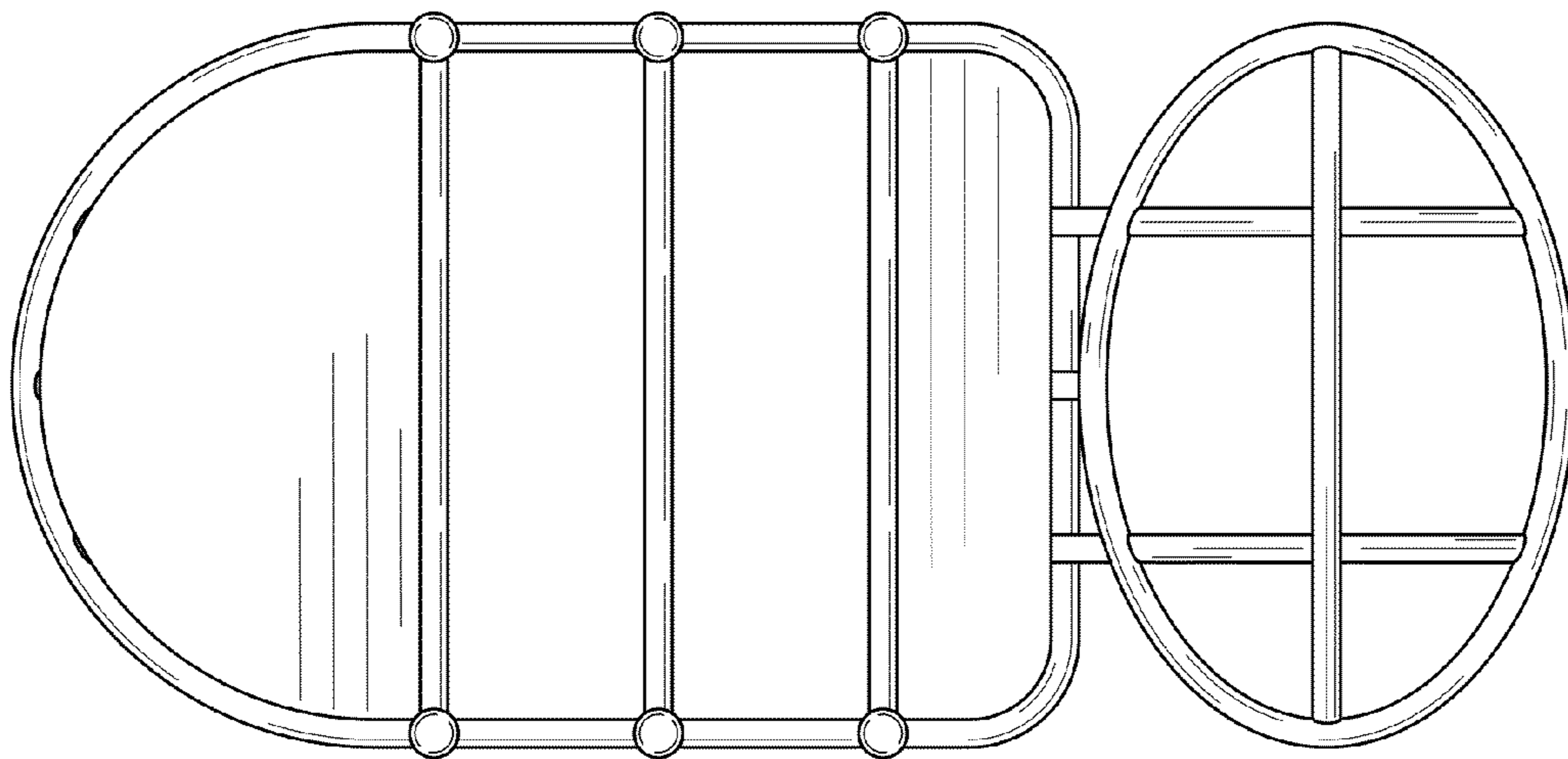


FIG. 7