



US00D697378S

(12) **United States Design Patent**
Eilmus et al.

(10) **Patent No.:** **US D697,378 S**
(45) **Date of Patent:** **** Jan. 14, 2014**

(54) **COLANDER**

(71) Applicant: **Kohler Co.**, Kohler, WI (US)
(72) Inventors: **Niels J. Eilmus**, Sheboygan, WI (US);
Peter Tabeling, Lakewood, OH (US)
(73) Assignee: **Kohler Co.**, Kohler, WI (US)

(**) Term: **14 Years**
(21) Appl. No.: **29/436,027**
(22) Filed: **Oct. 31, 2012**

Related U.S. Application Data

(62) Division of application No. 29/402,877, filed on Sep. 28, 2011.
(51) **LOC (10) Cl.** **07-04**
(52) **U.S. Cl.**
USPC **D7/667**
(58) **Field of Classification Search**
USPC D7/667, 668, 400, 629, 602, 538-542,
D7/543-549, 586-587, 354, 361; D32/55;
99/495, 490, 505-510; 210/464,
210/470-478, 497.1, 498, 499; 100/113,
100/116, 213, 248, 110, 127; D9/414,
D9/430-432, 737-762

See application file for complete search history.

(56) **References Cited**

U.S. PATENT DOCUMENTS

D346,725 S *	5/1994	Kolada	D7/667
D408,693 S *	4/1999	Wong	D7/667
6,547,080 B1 *	4/2003	Guard	210/464
D503,313 S *	3/2005	Shamoon	D7/667
D514,764 S *	2/2006	Kumagai	D32/55
D558,535 S *	1/2008	Curtin	D7/667

* cited by examiner

Primary Examiner — Terry Wallace

(74) *Attorney, Agent, or Firm* — Foley & Lardner LLP

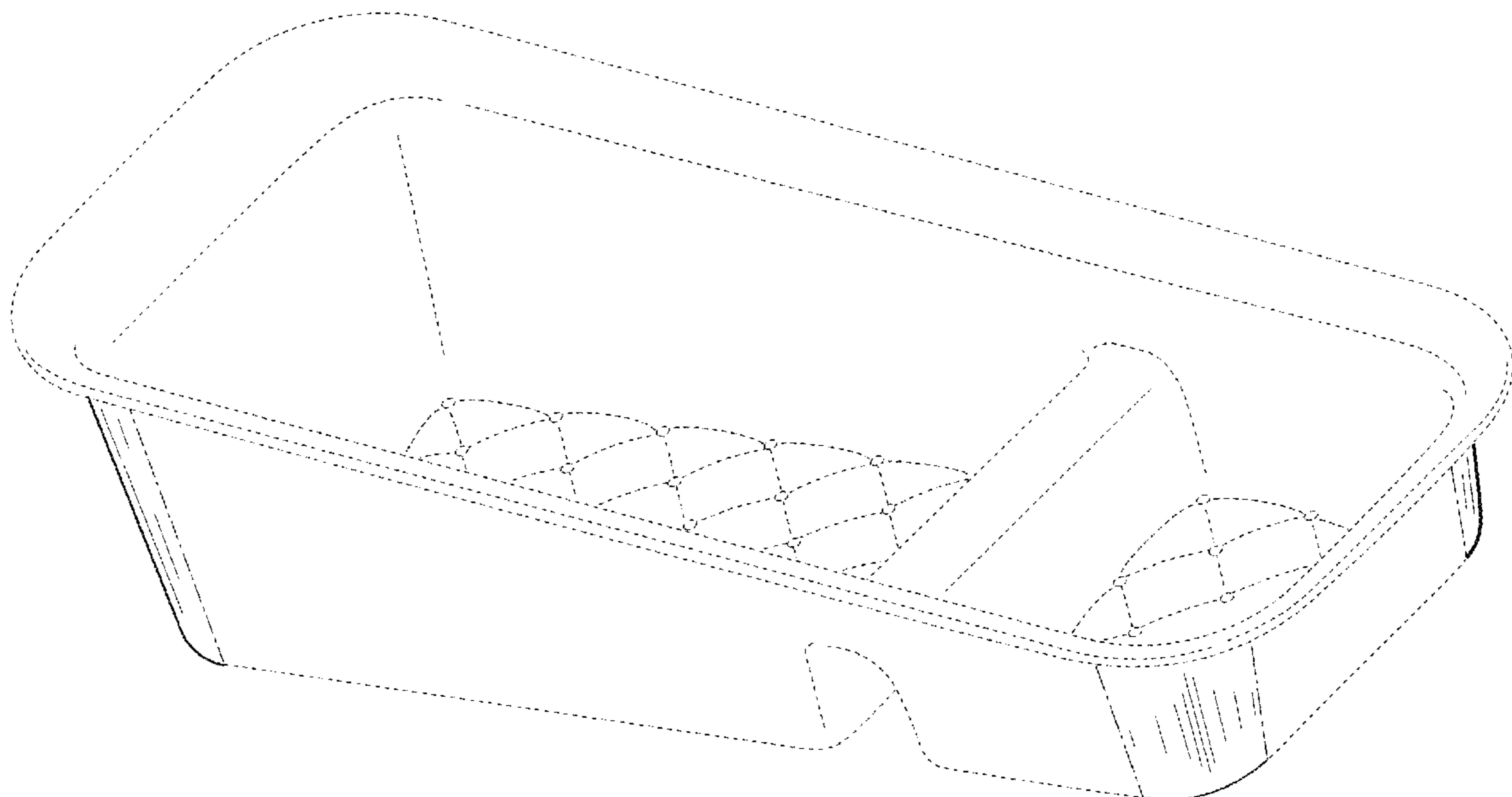
(57) **CLAIM**

We claim the ornamental design for a colander, as shown and described.

DESCRIPTION

FIG. 1 is a top perspective view of a colander showing our new design;
FIG. 2 is a side elevation plan view of the claimed design of FIG. 1;
FIG. 3 is another side elevation plan view of the claimed design of FIG. 1;
FIG. 4 is a front elevation view of the claimed design of FIG. 1;
FIG. 5 is a rear elevation view of the claimed design of FIG. 1;
FIG. 6 is a top plan view of the claimed design of FIG. 1; and,
FIG. 7 is a bottom plan view of the claimed design of FIG. 1.
The ornamental design which is claimed is shown in solid lines in the drawings. The broken lines in the drawings are for illustrative purposes only and form no part of the claimed design.

1 Claim, 6 Drawing Sheets



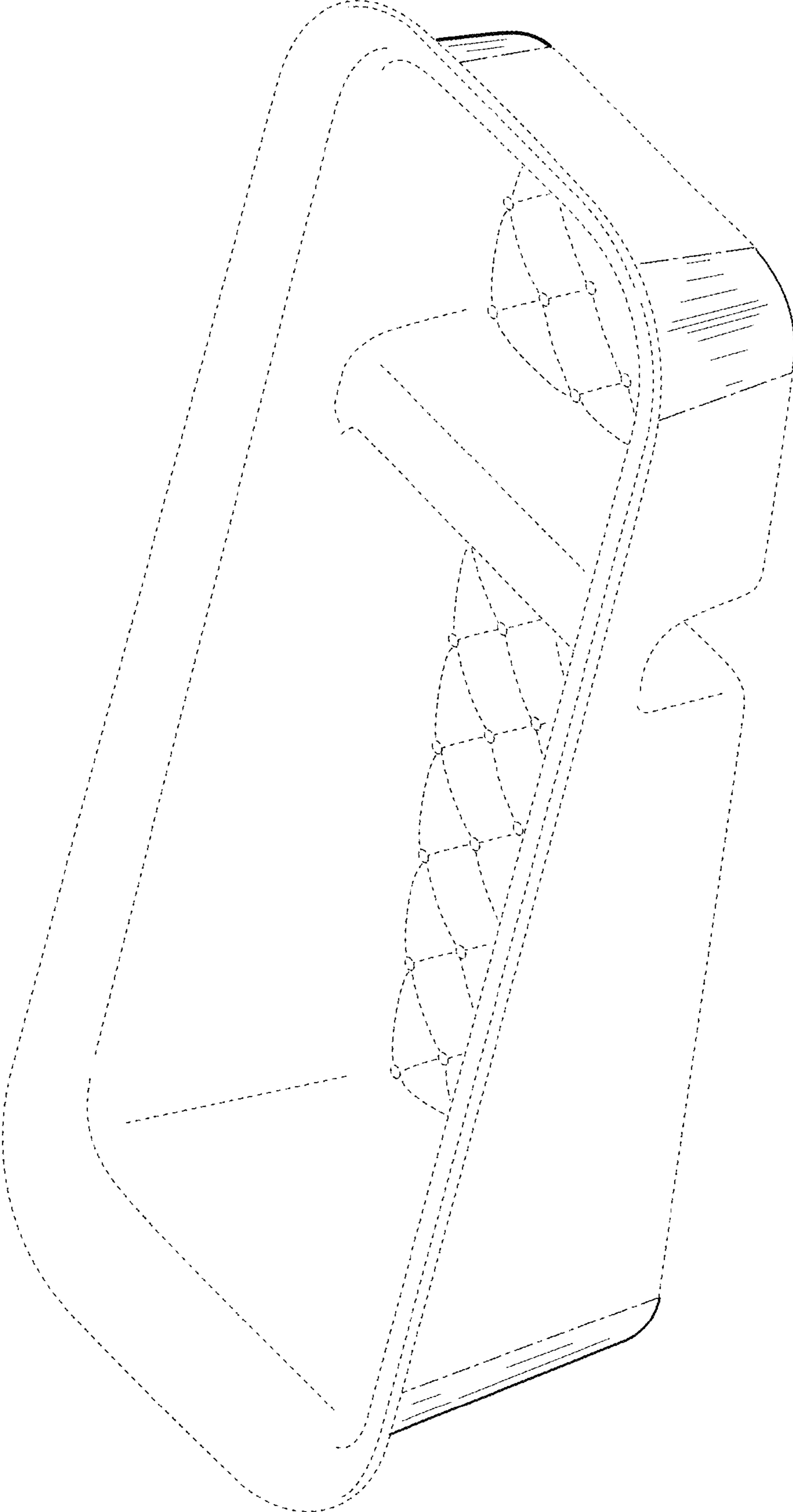


FIG. 1

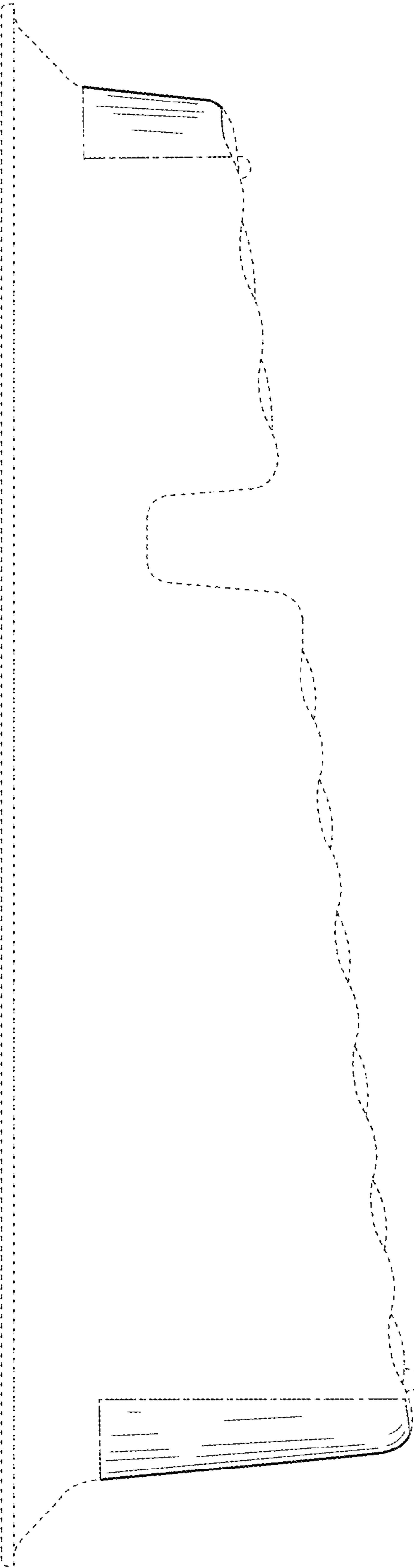


FIG. 2

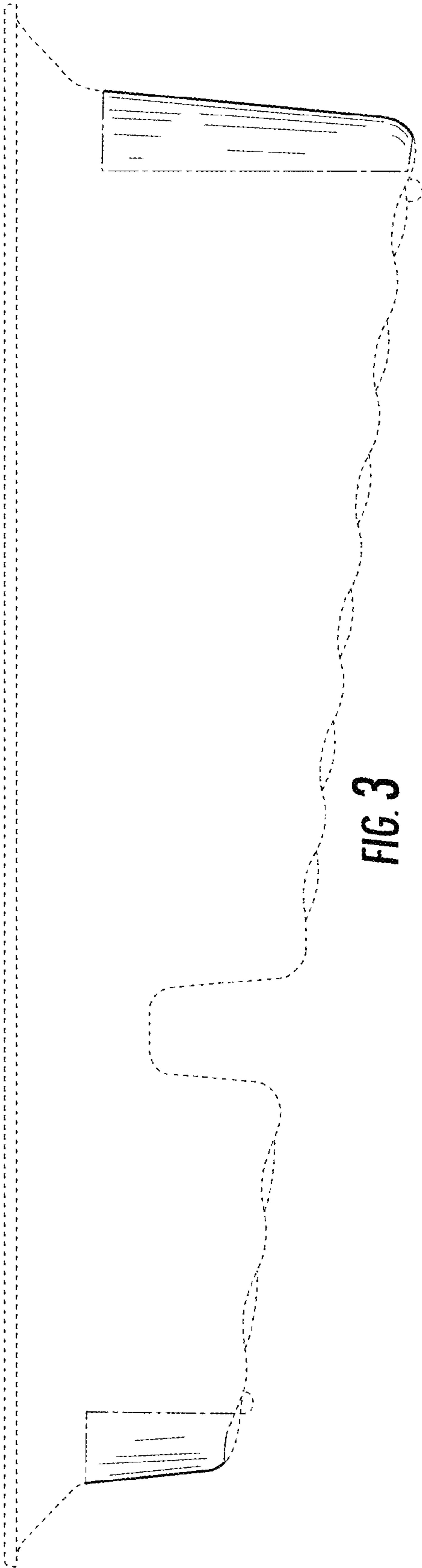


FIG. 3

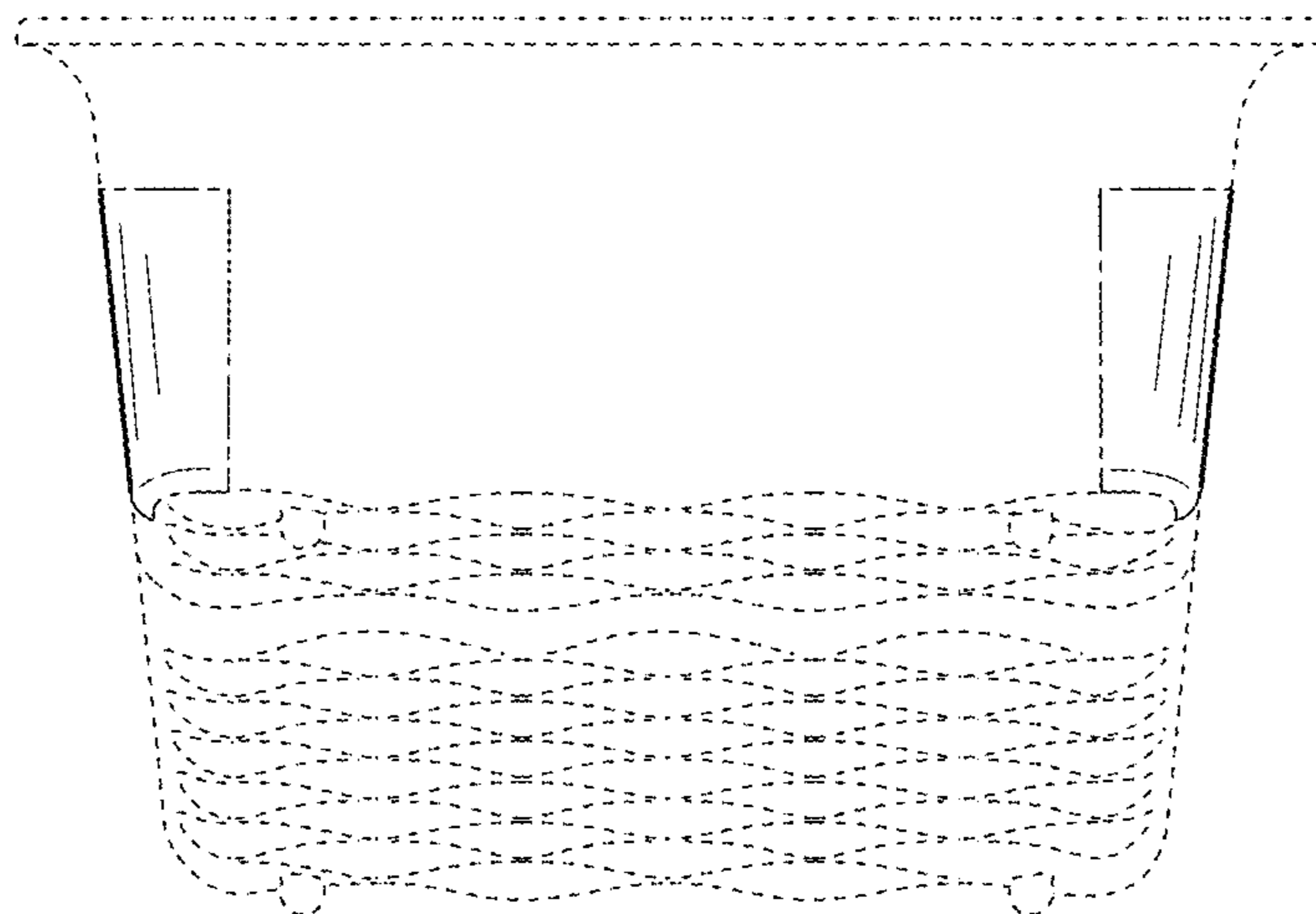


FIG. 4

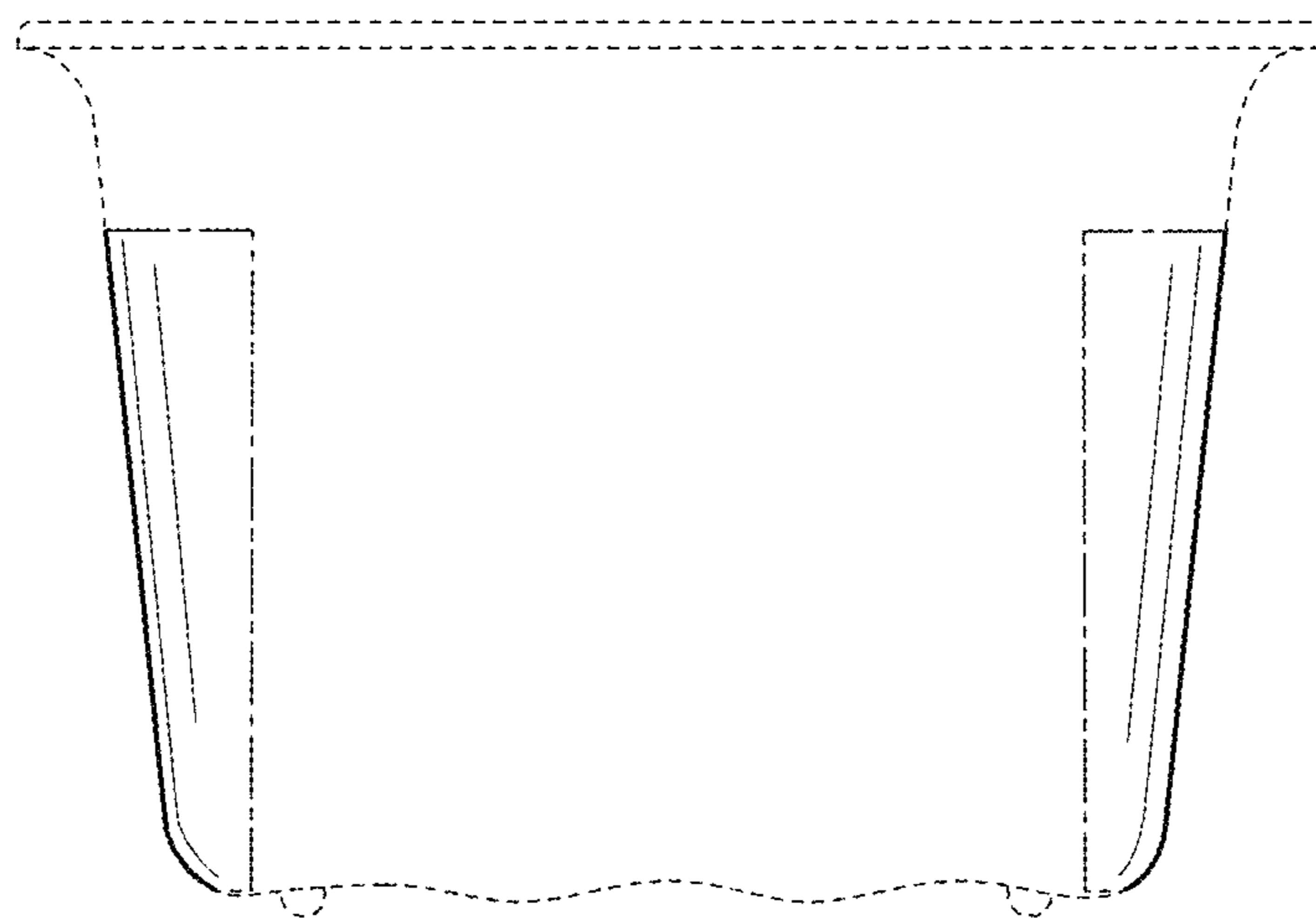


FIG. 5

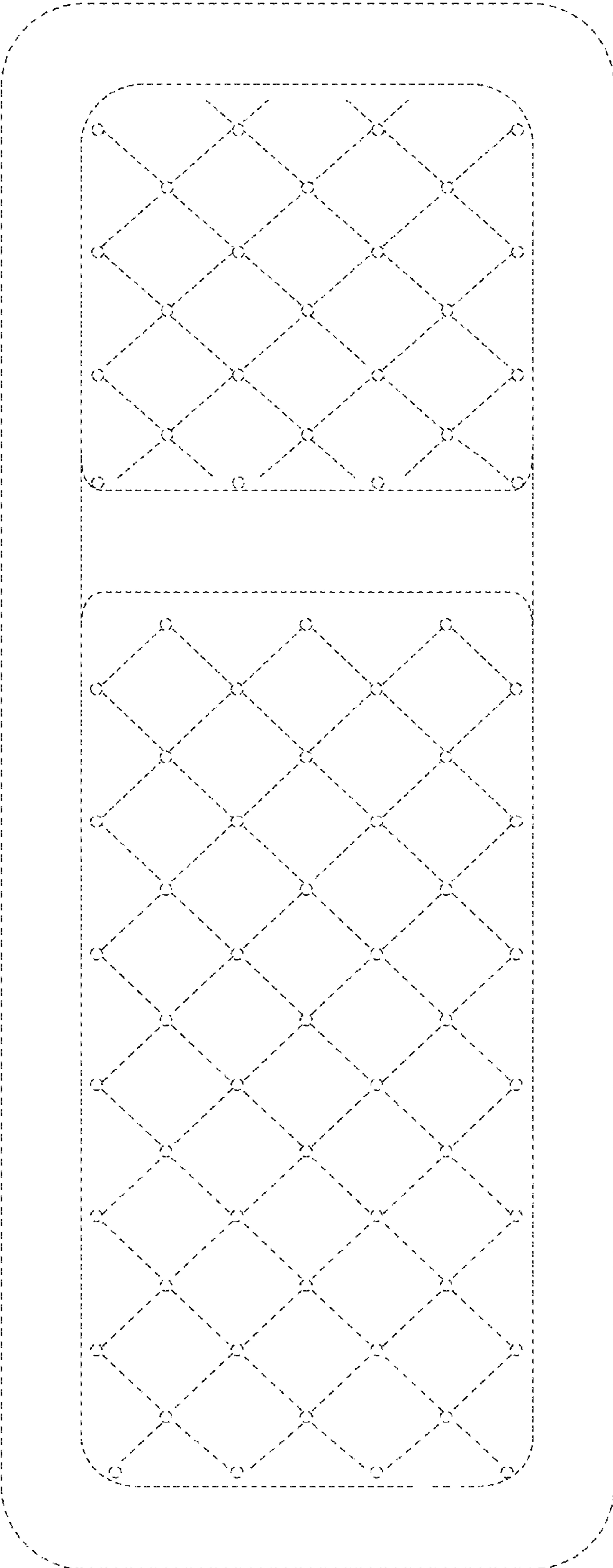


FIG. 6

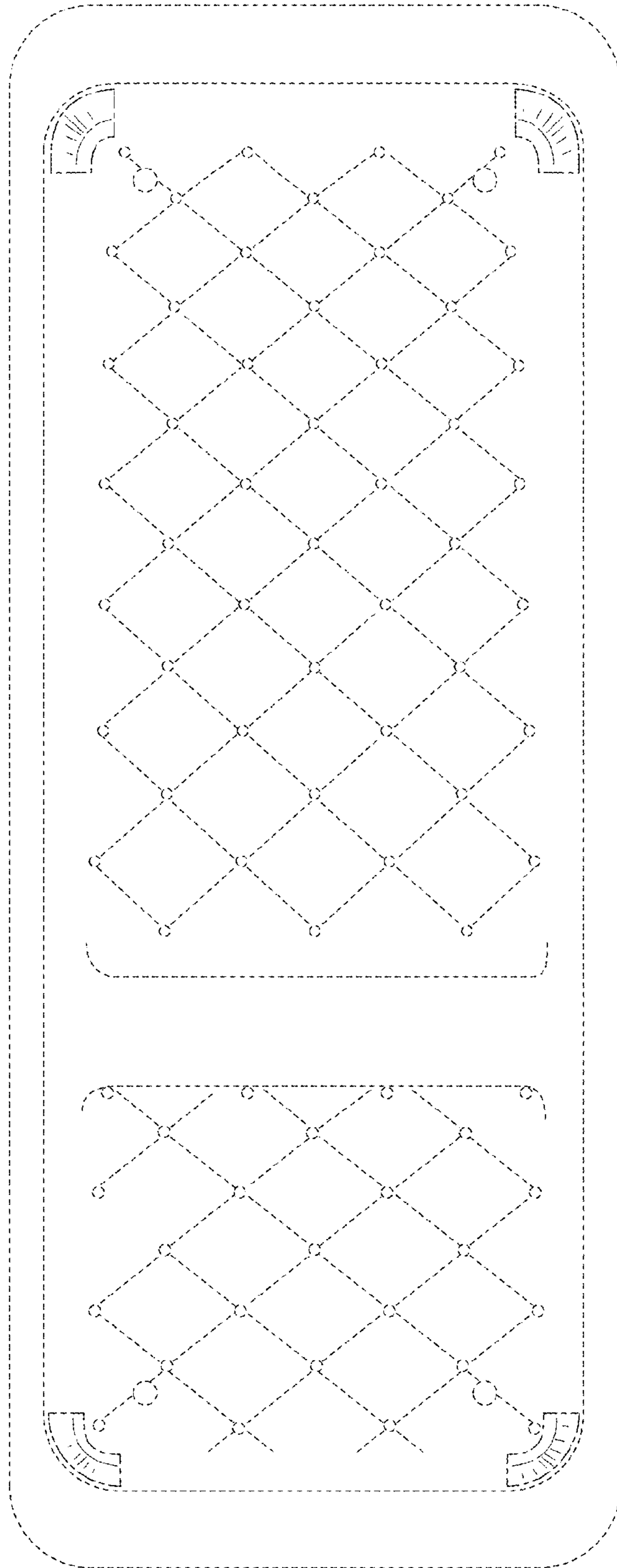


FIG. 7