



US00D697374S

(12) **United States Design Patent**
Goodman et al.

(10) **Patent No.:** **US D697,374 S**
(45) **Date of Patent:** **** Jan. 14, 2014**

(54) **FRUIT TREE**

(71) Applicant: **Spectrum Diversified Designs, Inc.**,
Streetsboro, OH (US)

(72) Inventors: **Sheldon H. Goodman**, Solon, OH (US);
Phaysouk Xayoiphonh, Akron, OH
(US)

(73) Assignee: **Spectrum Diversified Designs, Inc.**,
Streetsboro, OH (US)

(**) Term: **14 Years**

(21) Appl. No.: **29/446,977**

(22) Filed: **Feb. 28, 2013**

(51) **LOC (10) Cl.** **07-06**

(52) **U.S. Cl.**
USPC **D7/601**

(58) **Field of Classification Search**
USPC D7/601, 600.1–600.4, 704, 409,
D7/584–587, 500; D3/304, 306; D19/76;
211/13.1, 41.3, 41.4, 86.1, 88.01;
D6/676.5, 677.5, 678, 678.4, 680.3
See application file for complete search history.

(56) **References Cited**

U.S. PATENT DOCUMENTS

D274,880 S *	7/1984	Bentson	D7/409
D339,266 S *	9/1993	Lockett	D7/409
D405,289 S *	2/1999	Rosenberg	D6/403
D446,688 S *	8/2001	Vanello	D7/601

D567,030 S *	4/2008	Goodman et al.	D7/601
D569,691 S *	5/2008	Goodman et al.	D7/601
D578,762 S *	10/2008	Smith et al.	D6/566
D589,755 S *	4/2009	Goodman et al.	D7/601
D608,598 S *	1/2010	Goodman et al.	D7/601
D613,559 S *	4/2010	Goodman et al.	D7/601
D616,253 S *	5/2010	Goodman et al.	D7/601
D616,254 S *	5/2010	Goodman et al.	D7/601
D620,711 S *	8/2010	Hertaus	D3/306
D646,933 S *	10/2011	Goodman et al.	D7/601
D648,184 S	11/2011	Goodman		
D670,971 S *	11/2012	Goodman et al.	D7/601
D670,972 S	11/2012	Goodman		

* cited by examiner

Primary Examiner — Terry Wallace

(74) *Attorney, Agent, or Firm* — Renner, Otto, Boisselle &
Sklar, LLP

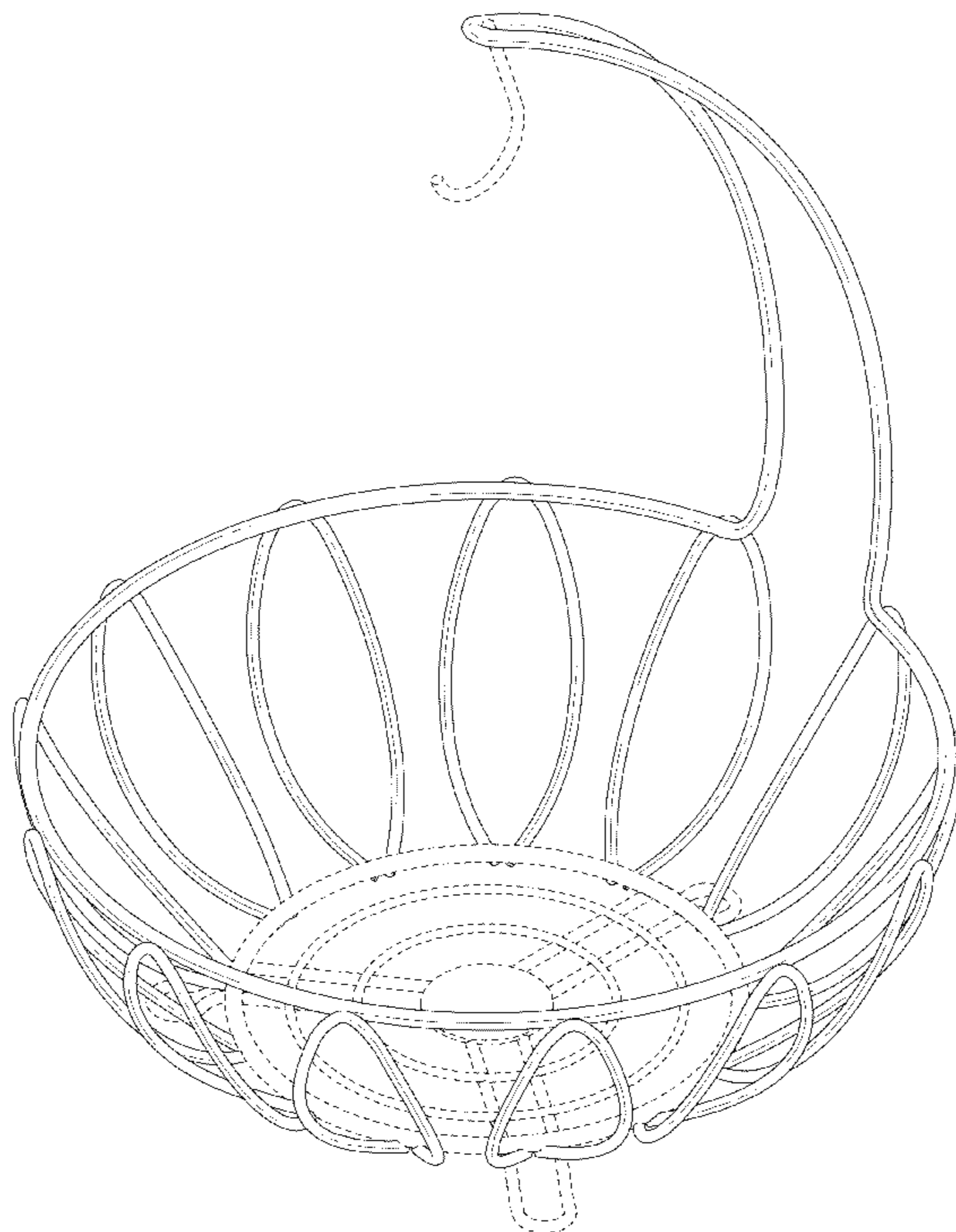
(57) **CLAIM**

The ornamental design for a fruit tree, as shown and described.

DESCRIPTION

FIG. 1 is a perspective view of a fruit tree showing my new design;
FIG. 2 is a front view of the fruit tree;
FIG. 3 is a rear view of the fruit tree;
FIG. 4 is a top view of the fruit tree;
FIG. 5 is a side view of the fruit tree, the opposite side view being a mirror image thereof; and,
FIG. 6 is a bottom view of the fruit tree.
The broken lines in the drawing illustrate environmental matter and form no part of the claimed design.

1 Claim, 3 Drawing Sheets



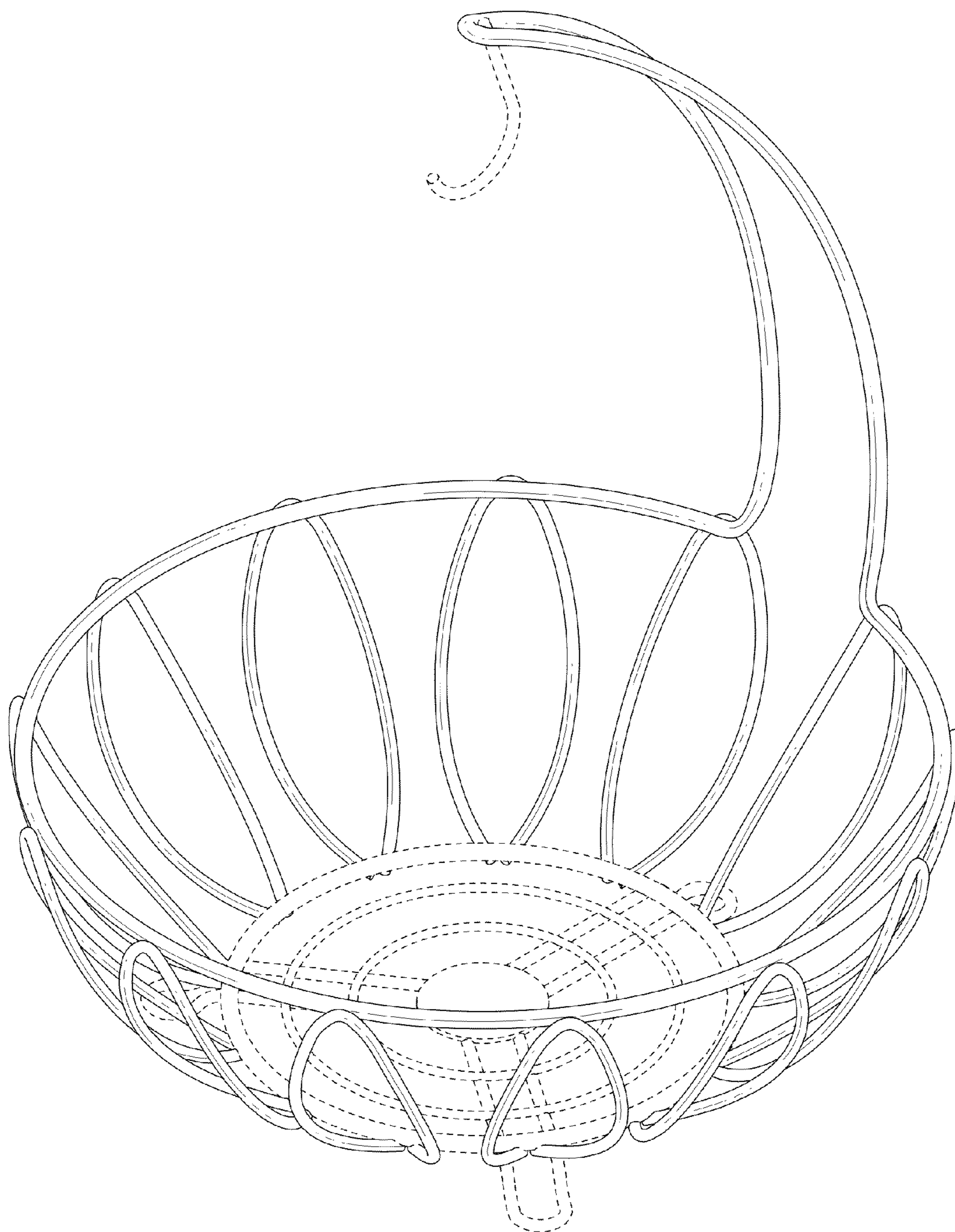


FIG 1

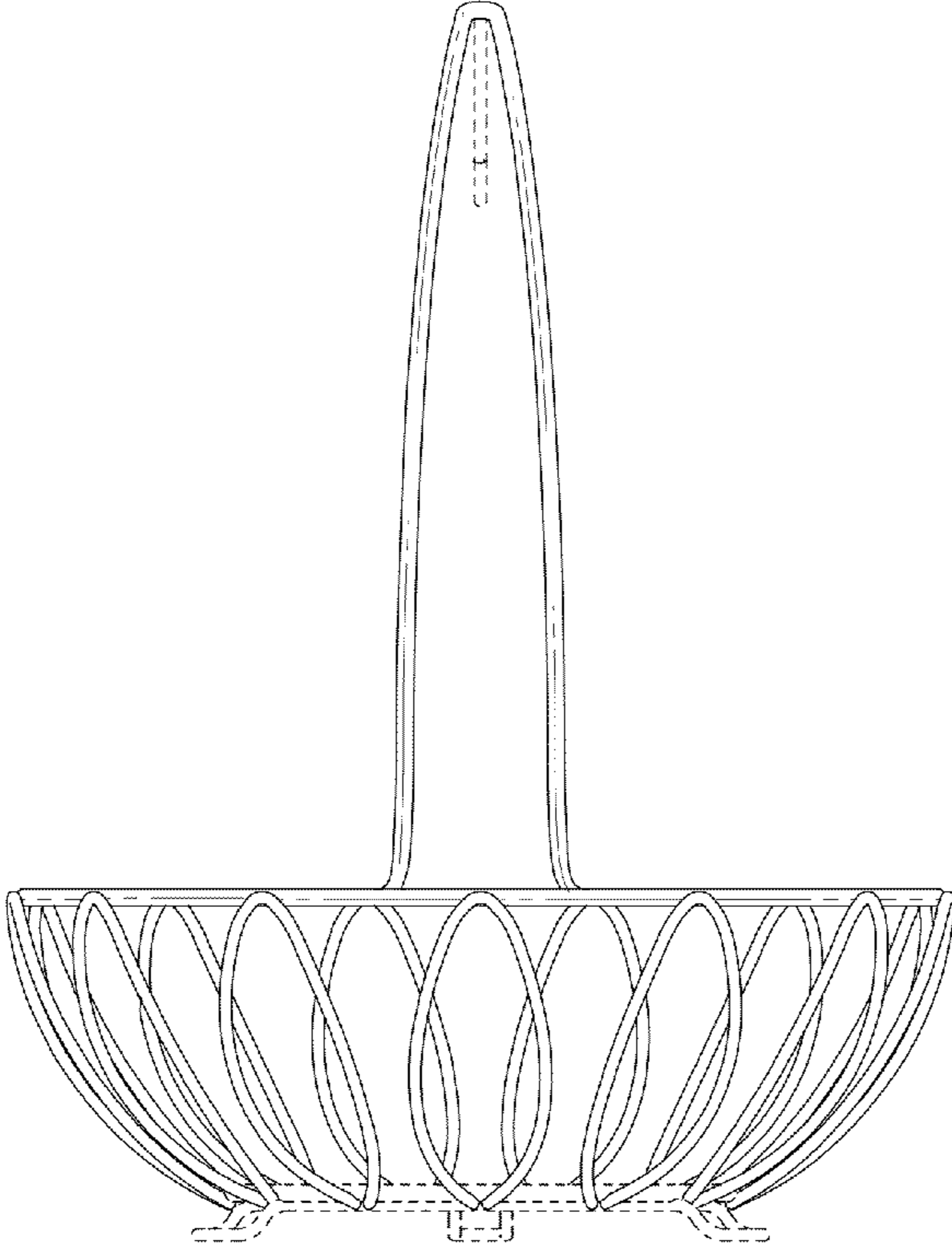


FIG 2

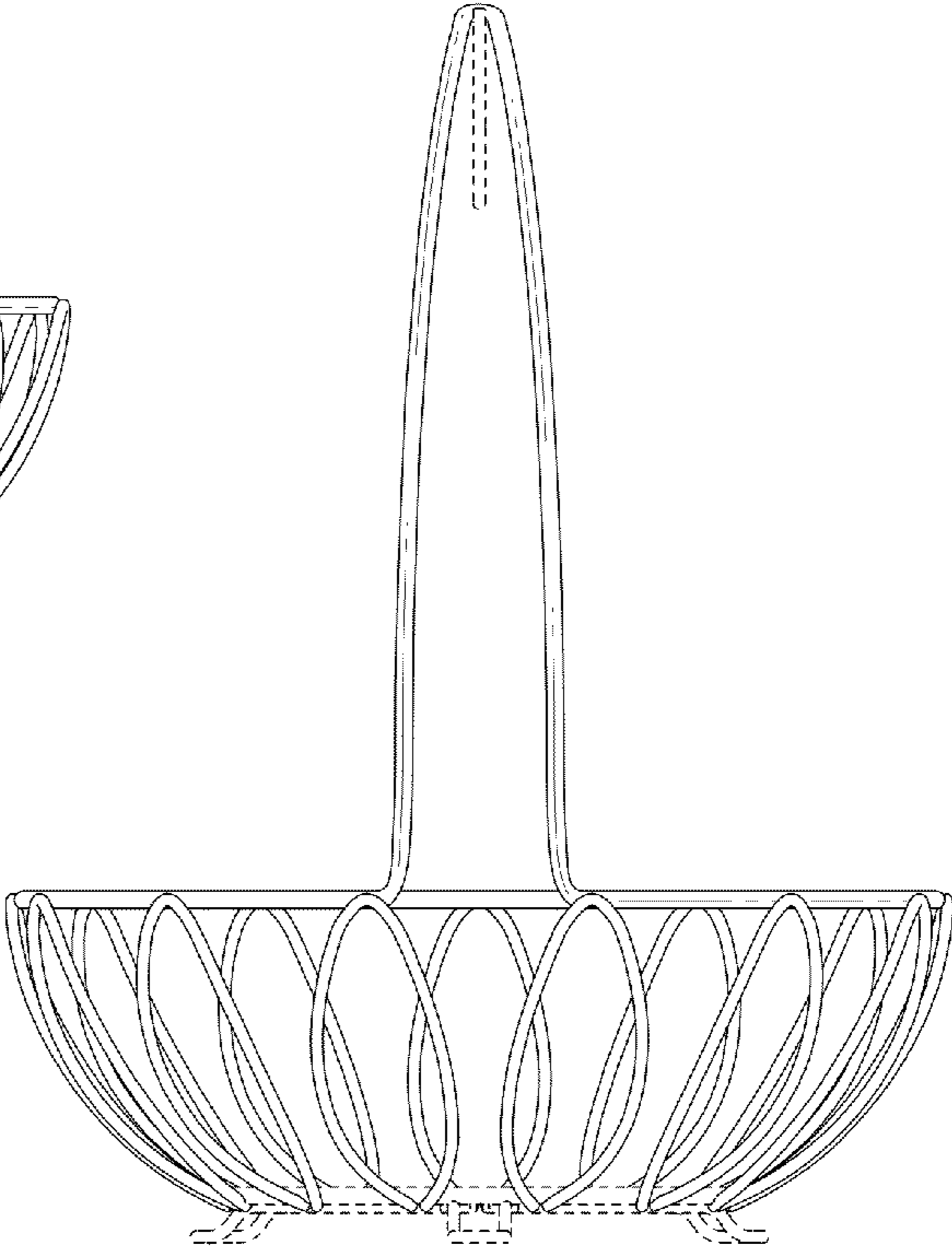


FIG 3

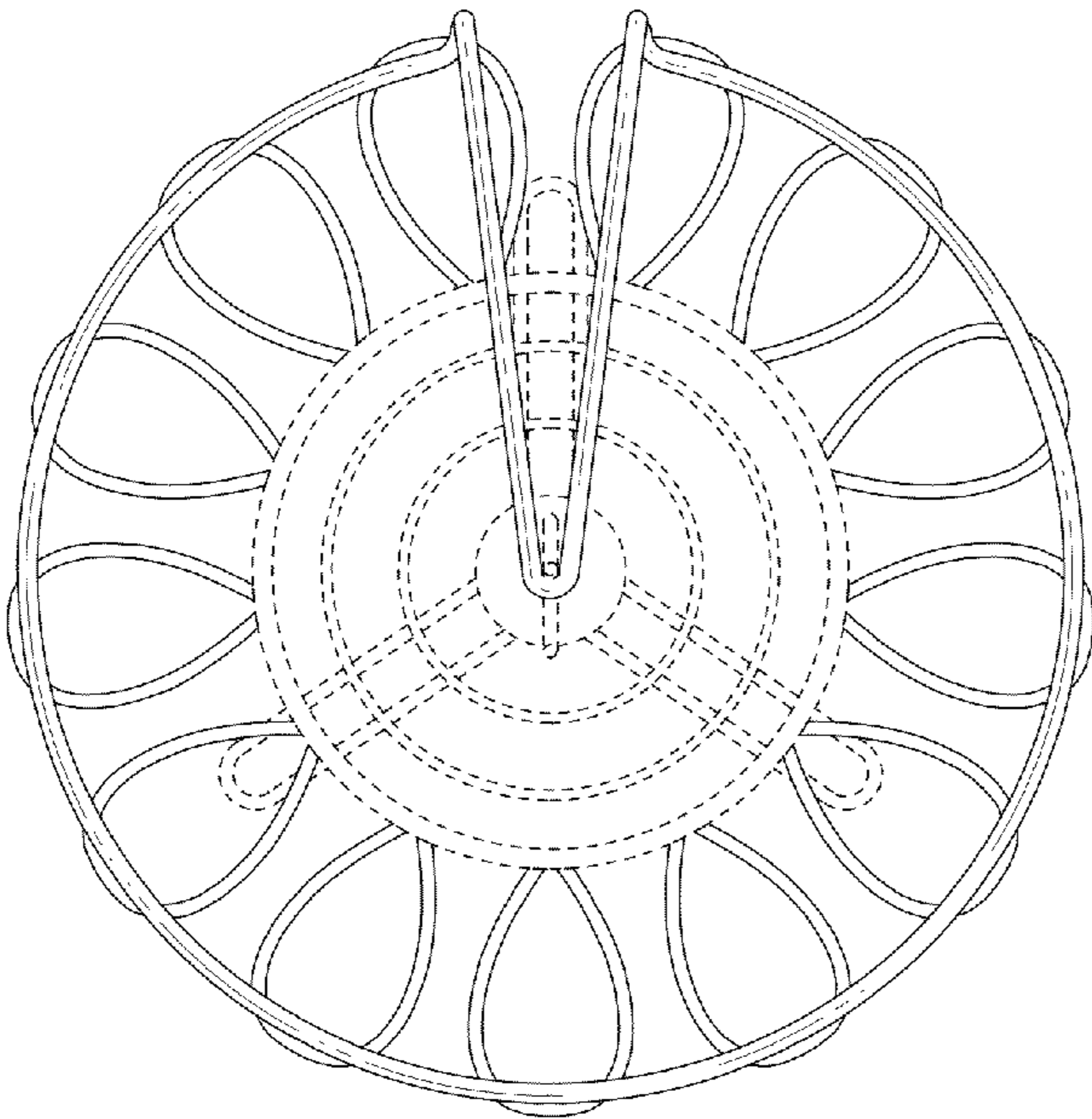


FIG 4

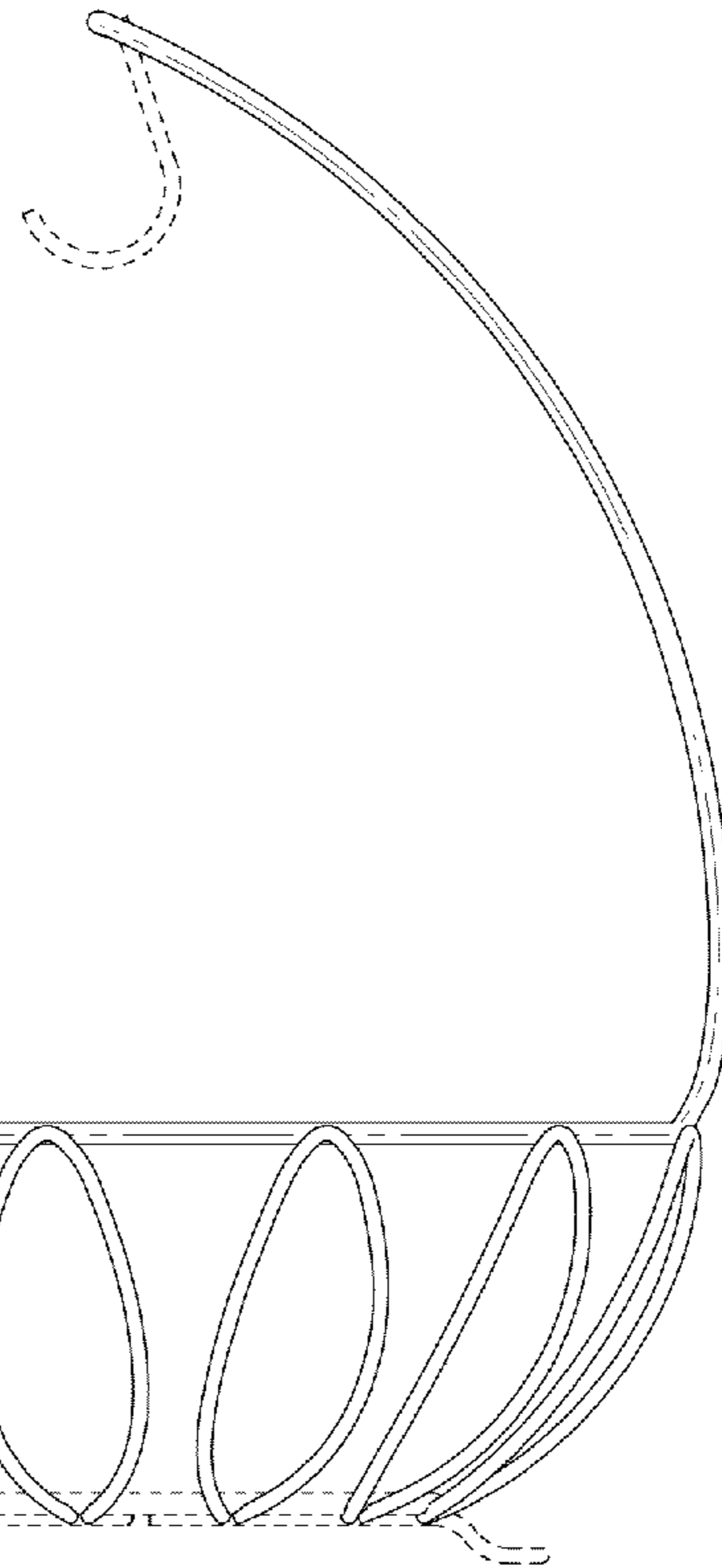


FIG 5

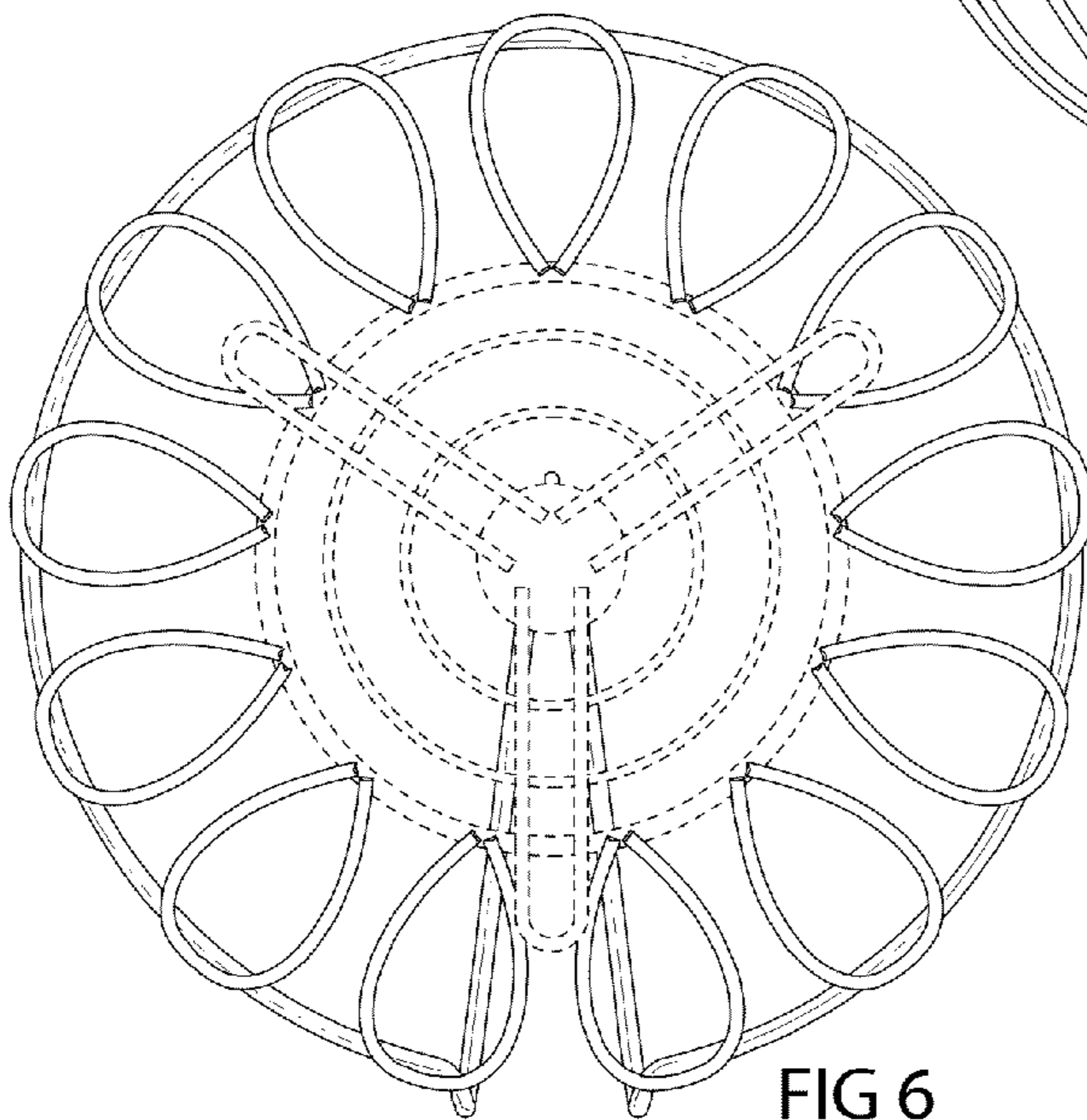


FIG 6