



US00D697372S

(12) **United States Design Patent**  
**Everingham et al.**

(10) **Patent No.:** **US D697,372 S**  
(45) **Date of Patent:** **\*\* Jan. 14, 2014**

(54) **BOWL**

(71) Applicant: **Design Nuts Innovations, LLC**,  
Waterford, MI (US)

(72) Inventors: **Barry Everingham**, Waterford, MI  
(US); **Daniel Preusser**, Union, MO (US)

(73) Assignee: **Design Nuts Innovations, LLC**,  
Waterford, MI (US)

(\*\*) Term: **14 Years**

(21) Appl. No.: **29/454,264**

(22) Filed: **May 8, 2013**

(51) **LOC (10) Cl.** ..... **07-01**

(52) **U.S. Cl.**  
USPC ..... **D7/587; D7/601**

(58) **Field of Classification Search**  
USPC ..... D7/562, 586, 545, 561, 560, 500, 543,  
D7/360, 361, 552.1, 354, 555, 566, 504,  
D7/587, 565, 601, 602, 558; D1/122;  
D30/130; 220/751, 23.4, 574; D9/643,  
D9/424, 759, 432; 215/382, 400  
See application file for complete search history.

(56) **References Cited**

**U.S. PATENT DOCUMENTS**

2,767,755	A *	10/1956	Hill	.....	206/518
D229,824	S *	1/1974	Erickson	.....	D9/434
D255,244	S *	6/1980	Lampen	.....	D15/138
D279,252	S *	6/1985	Daenen et al.	.....	D7/602
D308,942	S *	7/1990	Thundercliffe	.....	D9/425
D390,109	S	2/1998	Tucker et al.		
D411,741	S	6/1999	Wilson et al.		
5,916,614	A *	6/1999	Gorlich	.....	426/129
D419,829	S	2/2000	Wilson et al.		

D424,879	S	5/2000	Biber		
D428,310	S	7/2000	Zettle et al.		
D428,777	S	8/2000	Hayes et al.		
D429,965	S	8/2000	Hayes et al.		
D440,470	S	4/2001	Tucker et al.		
D440,830	S	4/2001	Tucker et al.		
D441,597	S	5/2001	Wyche		
D443,184	S	6/2001	Maxwell et al.		
D443,798	S	6/2001	Tucker et al.		
D445,649	S	7/2001	Maxwell et al.		
D446,077	S	8/2001	Tucker et al.		
D449,495	S	10/2001	Tucker et al.		
D450,983	S	11/2001	Tucker et al.		
D462,880	S	9/2002	Maxwell et al.		
D466,299	S	12/2002	Zimmerman		
D484,365	S *	12/2003	Wyche	.....	D7/587
D488,352	S	4/2004	Tisdale et al.		
D501,365	S	2/2005	Kellermann et al.		
D505,835	S	6/2005	Schultz et al.		
D505,839	S	6/2005	Stanos et al.		
D505,840	S	6/2005	Schultz et al.		
D512,278	S	12/2005	Schultz et al.		
D515,438	S	2/2006	Baranowski et al.		
D524,096	S	7/2006	Babkes		

(Continued)

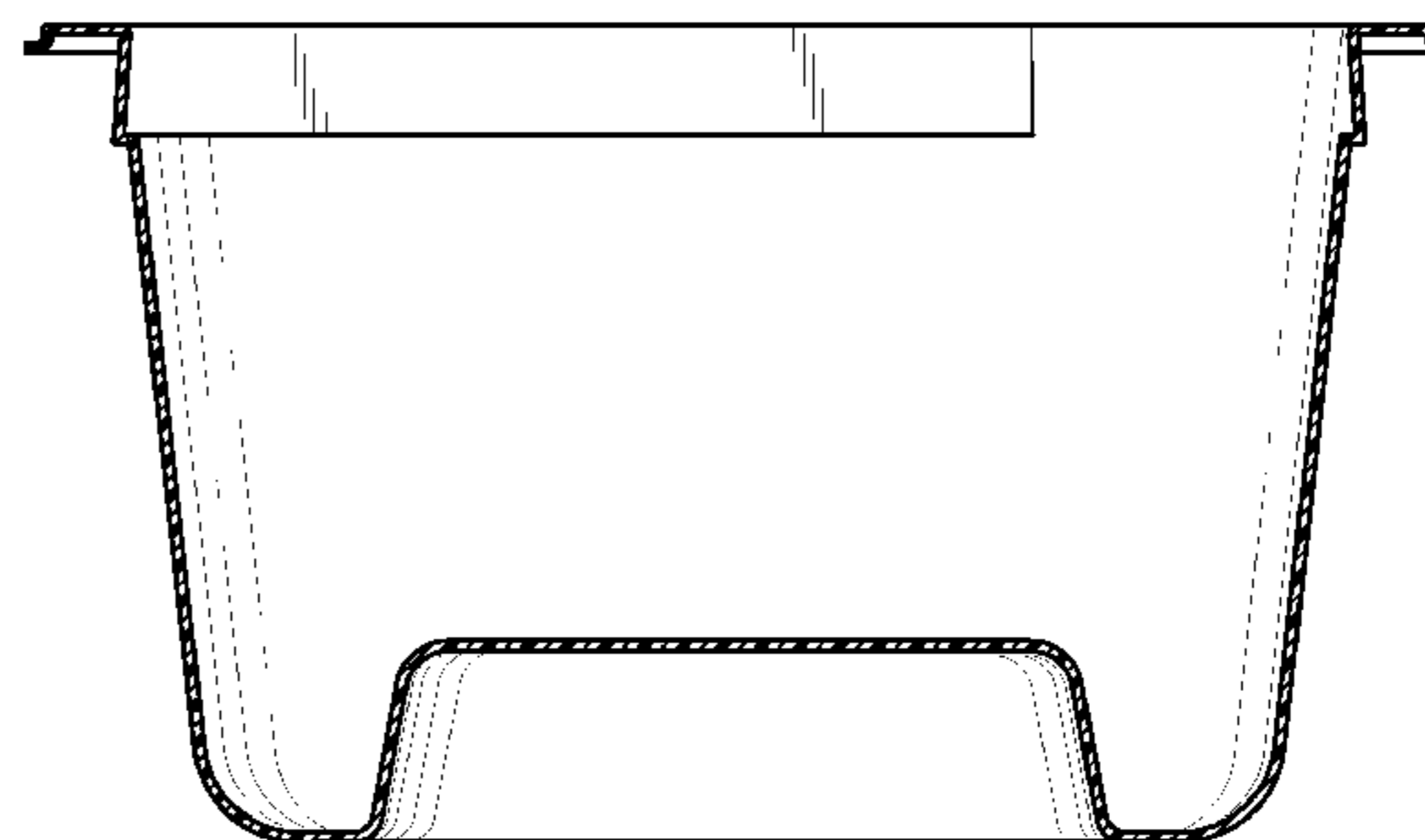
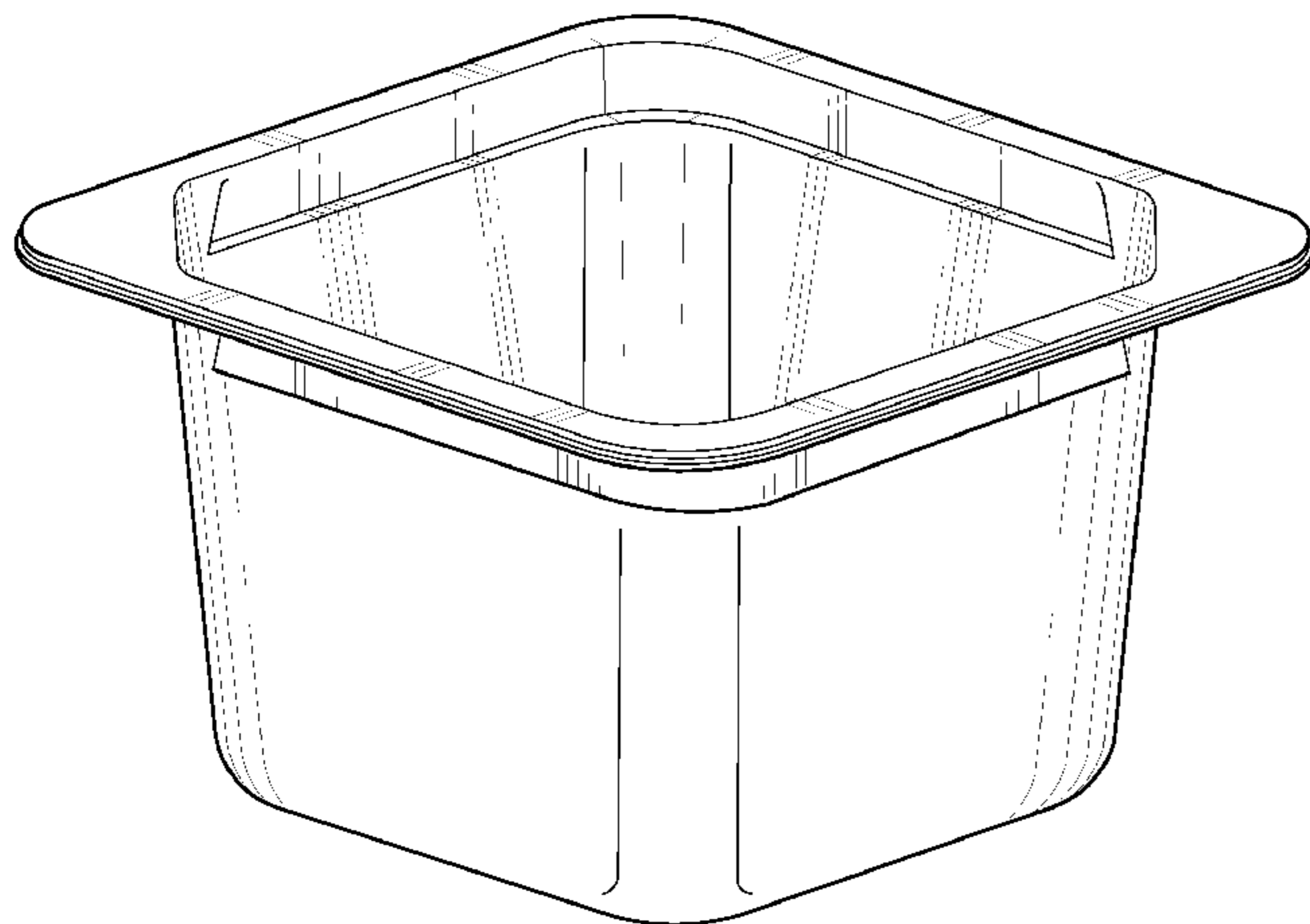
*Primary Examiner* — Cynthia Underwood  
(74) *Attorney, Agent, or Firm* — Gifford, Krass, Sprinkle,  
Anderson & Citkowski, P.C.

(57) **CLAIM**  
The ornamental design for a bowl, as shown and described.

**DESCRIPTION**

FIG. 1 is a top perspective view of the bowl;  
FIG. 2 is a top view of the bowl of FIG. 1;  
FIG. 3 is a cross-sectional view taken along line 3-3 of FIG. 2;  
FIG. 4 is a bottom view of the bowl of FIG. 1;  
FIG. 5 is a side view of the bowl of FIG. 1; and,  
FIG. 6 is the other side view of the bowl of FIG. 1.

**1 Claim, 6 Drawing Sheets**



(56)

**References Cited**

U.S. PATENT DOCUMENTS

D527,956 S 9/2006 Doliwa  
D540,122 S 4/2007 Wasserman et al.  
D542,098 S 5/2007 Wasserman et al.  
D547,177 S \* 7/2007 Sherman et al. .... D9/425  
D567,029 S \* 4/2008 Valderrama et al. .... D7/545  
D570,681 S 6/2008 Hussain et al.  
D572,979 S 7/2008 Delbaere  
D575,095 S 8/2008 Schreiber-Pethan et al.  
D588,417 S 3/2009 Doliwa  
D589,759 S 4/2009 Ozery et al.  
D600,111 S 9/2009 Gerulski et al.

D628,479 S 12/2010 Snedden et al.  
D630,091 S 1/2011 Schick  
D632,170 S 2/2011 Lawrence et al.  
D635,848 S 4/2011 Lawrence et al.  
D636,258 S 4/2011 Freeman et al.  
D637,482 S 5/2011 Snedden et al.  
D640,506 S 6/2011 Garg et al.  
D640,550 S 6/2011 Snedden et al.  
D640,899 S 7/2011 Shing  
D642,904 S 8/2011 Turvey  
D653,913 S 2/2012 Stamper et al.  
D654,432 S 2/2012 Brookshire et al.  
D672,615 S \* 12/2012 Stamper et al. .... D7/602  
D673,009 S \* 12/2012 Stamper et al. .... D7/602

\* cited by examiner

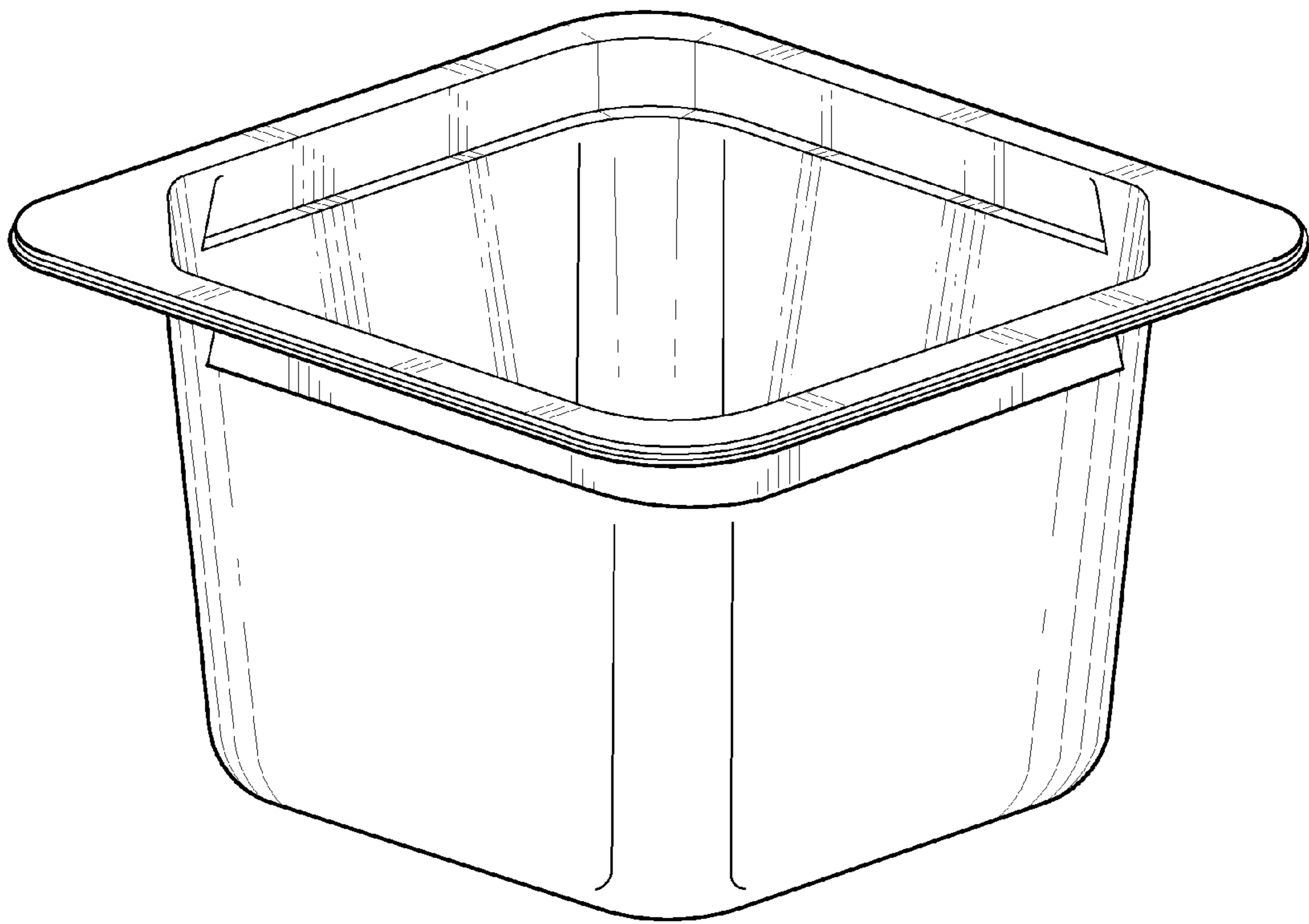


Fig-1

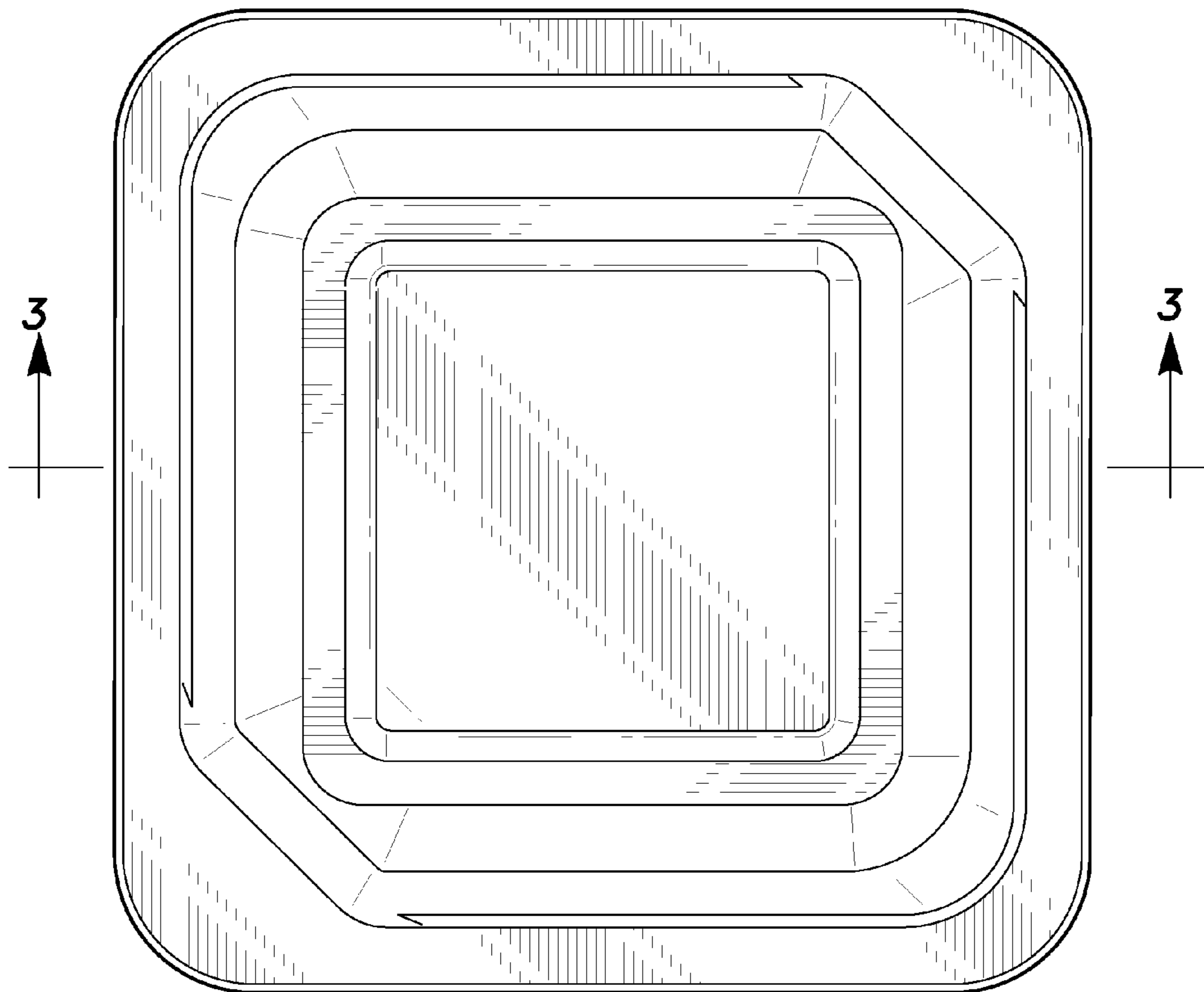


Fig-2

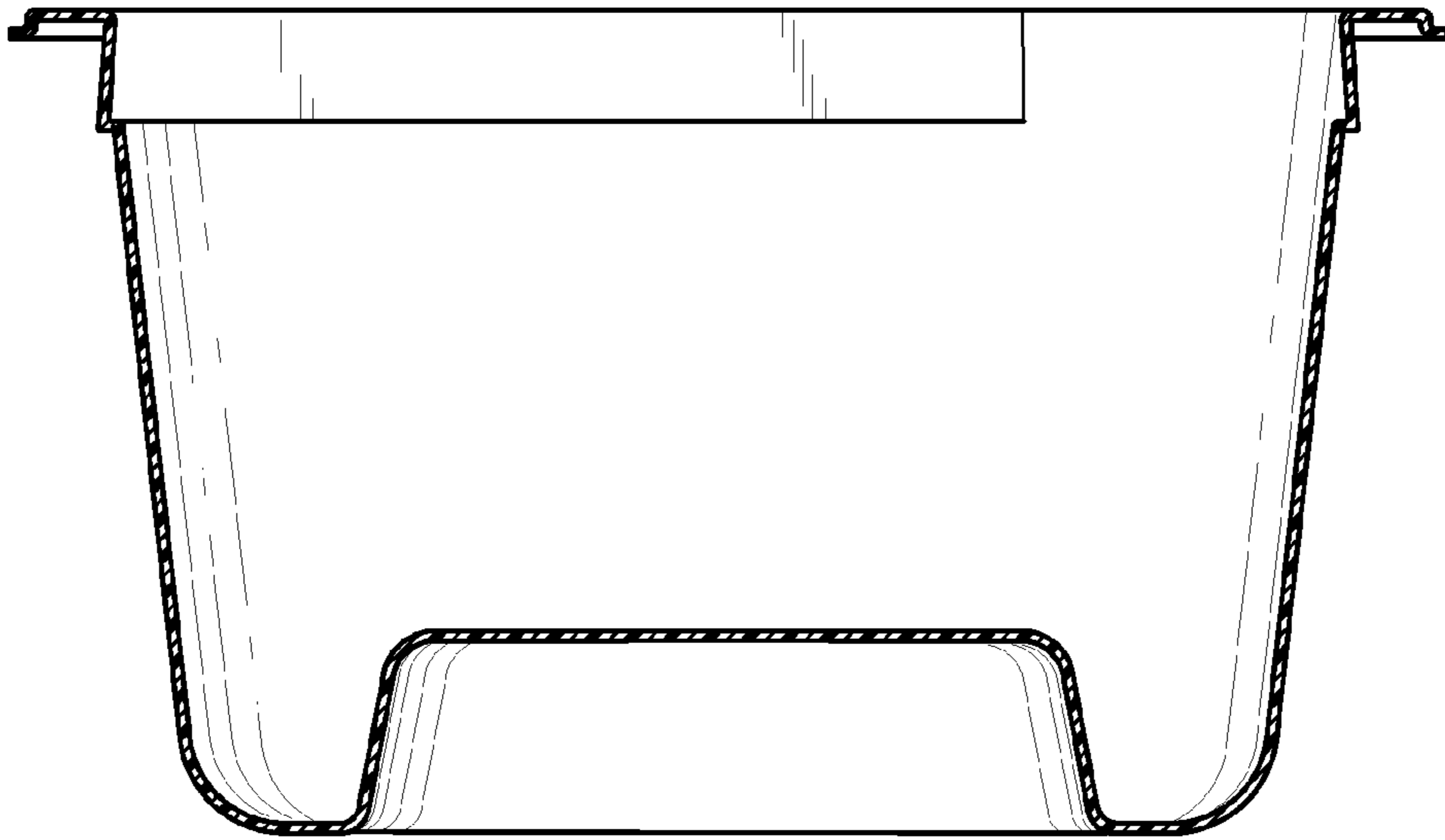


Fig-3

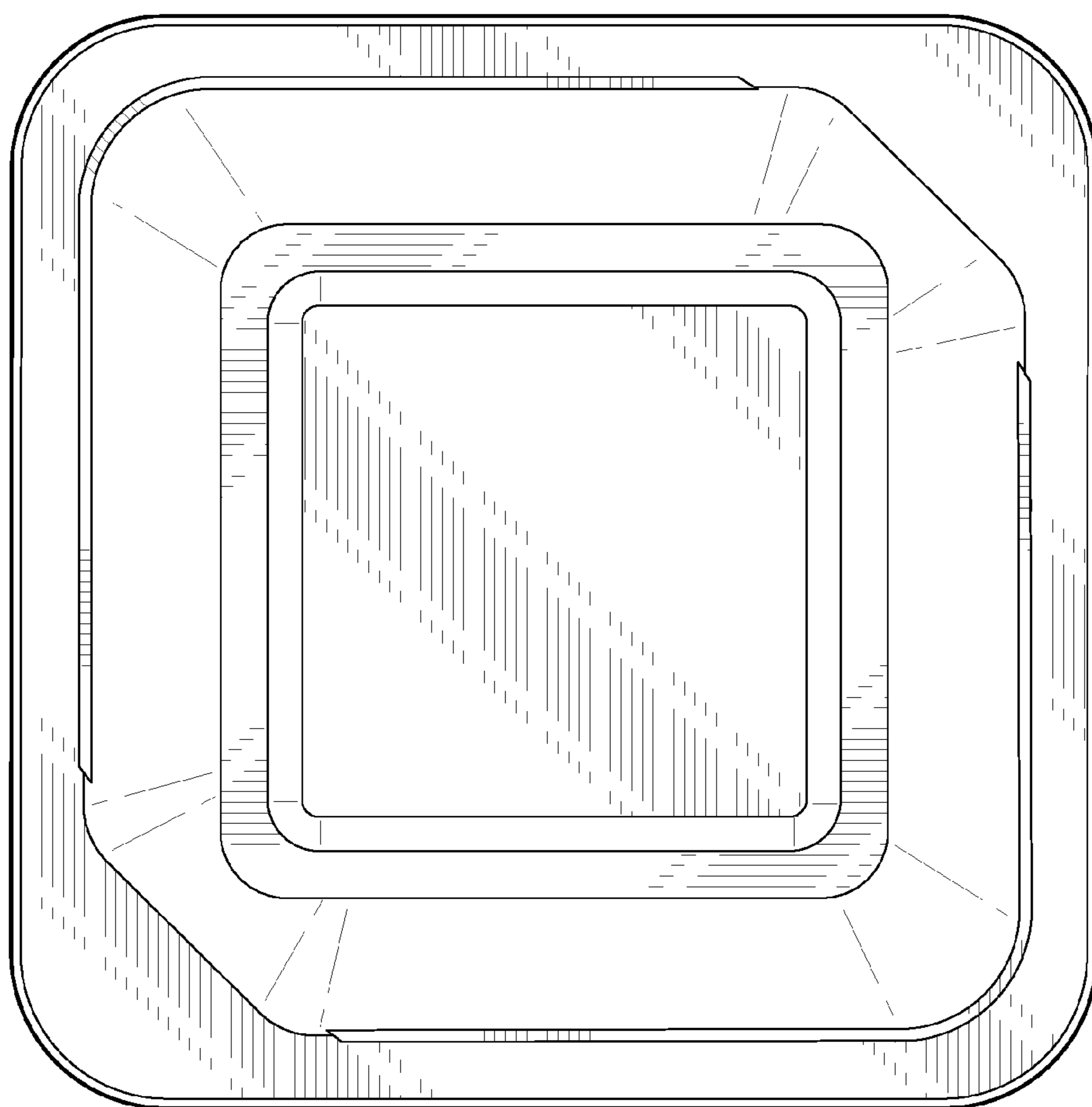


Fig-4

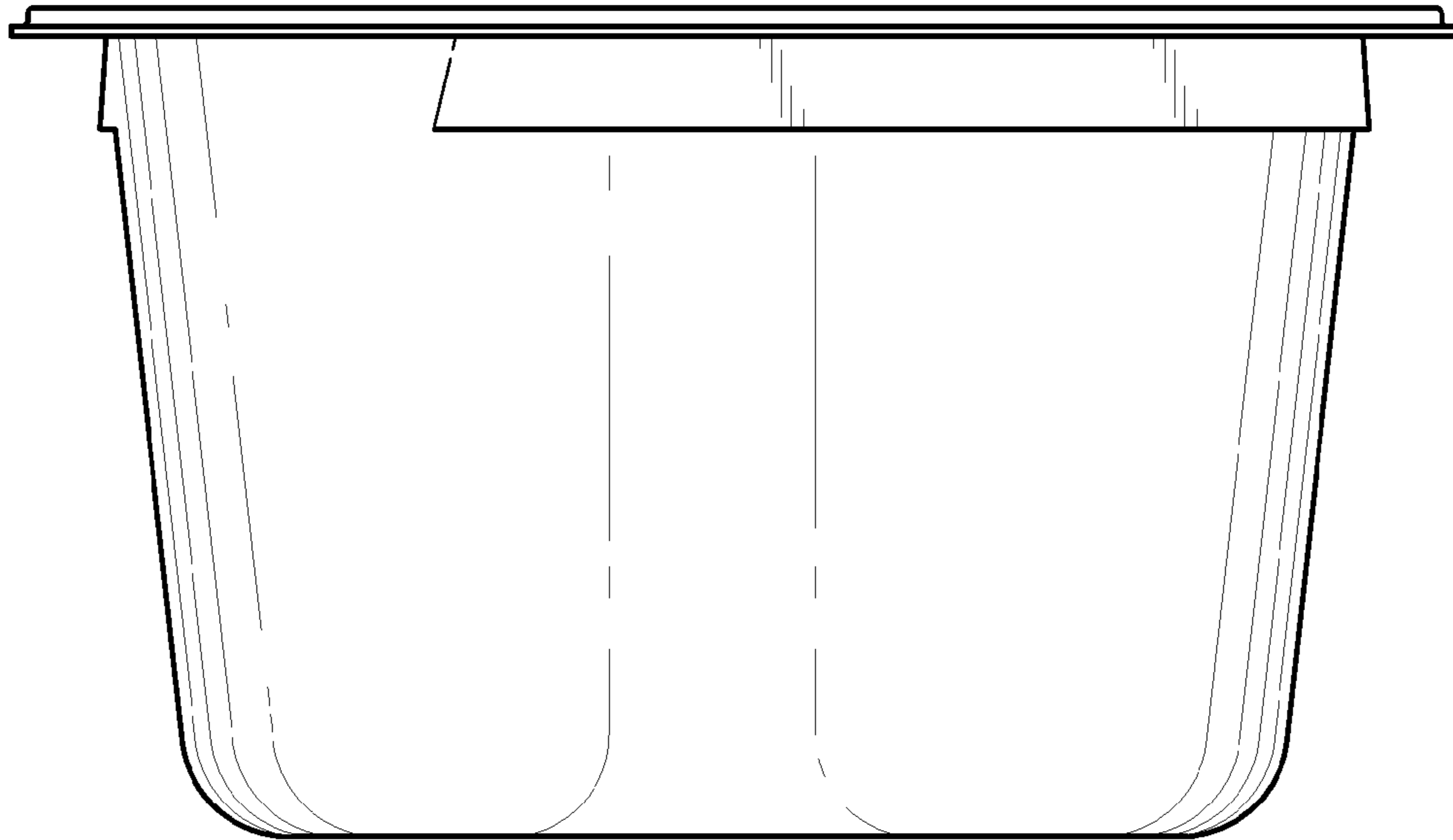


Fig-5

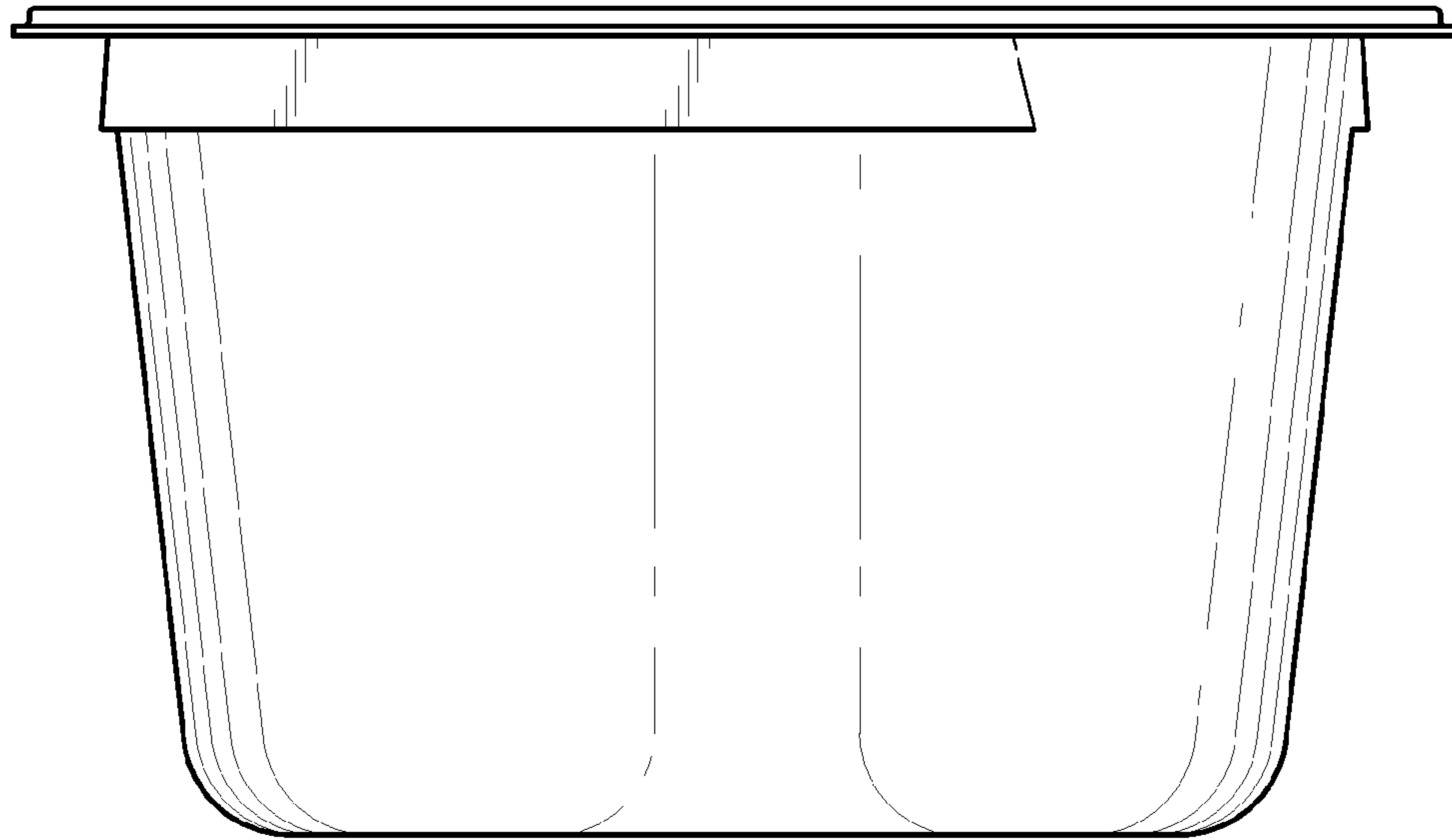


Fig-6