



US00D697371S

(12) **United States Design Patent**
Goodman et al.

(10) **Patent No.:** **US D697,371 S**
(45) **Date of Patent:** **** Jan. 14, 2014**

- (54) **BREAD BASKET**
 - (71) Applicant: **Spectrum Diversified Designs, Inc.**,
Streetsboro, OH (US)
 - (72) Inventors: **Sheldon H. Goodman**, Solon, OH (US);
Phaysouk Xayoiphonh, Akron, OH
(US); **Alexander Corin Mutch**, Bay
Village, OH (US)
 - (73) Assignee: **Spectrum Diversified Designs, Inc.**,
Streetsboro, OH (US)
 - (**) Term: **14 Years**
 - (21) Appl. No.: **29/446,976**
 - (22) Filed: **Feb. 28, 2013**
 - (51) **LOC (10) Cl.** **07-01**
 - (52) **U.S. Cl.**
USPC **D7/587**; D7/601; D3/306
 - (58) **Field of Classification Search**
USPC D7/562, 586, 545, 561, 560, 500, 543,
D7/360, 361, 552.1, 354, 555, 566, 504,
D7/587, 601, 602, 704; D1/122; D30/130;
220/751, 23.4, 574, 575; D9/643;
D3/304, 306; D19/76; D6/525, 566,
D6/567, 572, 574, 511, 537, 540, 403, 513,
D6/556; 211/181.1, 13.1, 41.3, 41.4,
211/860.1, 88.01, 85.4; 48/116, 121, 125.1,
48/175, 176.1
- See application file for complete search history.

- D576,073 S * 9/2008 Paniccia D11/152
- D608,598 S * 1/2010 Goodman et al. D7/601
- D608,599 S * 1/2010 Goodman et al. D7/601
- D613,559 S * 4/2010 Goodman et al. D7/601
- D616,254 S * 5/2010 Goodman et al. D7/601
- D622,107 S * 8/2010 Goodman et al. D7/601
- D631,301 S * 1/2011 Goodman et al. D7/602
- D634,121 S * 3/2011 Goodman et al. D3/306
- D634,122 S * 3/2011 Goodman et al. D3/306
- D636,999 S * 5/2011 Goodman et al. D3/306
- D637,000 S * 5/2011 Goodman et al. D3/306
- D641,979 S * 7/2011 Goodman et al. D3/306
- D646,933 S * 10/2011 Goodman et al. D7/601
- D648,131 S * 11/2011 Goodman et al. D3/306
- D648,184 S 11/2011 Goodman
- D670,913 S * 11/2012 Lee D3/304
- D670,971 S 11/2012 Goodman
- D670,972 S 11/2012 Goodman
- D672,203 S * 12/2012 Goodman et al. D7/601

* cited by examiner

Primary Examiner — Cynthia Underwood

(74) *Attorney, Agent, or Firm* — Renner, Otto, Boisselle & Sklar, LLP

(57) **CLAIM**

The ornamental design for a bread basket, as shown and described.

DESCRIPTION

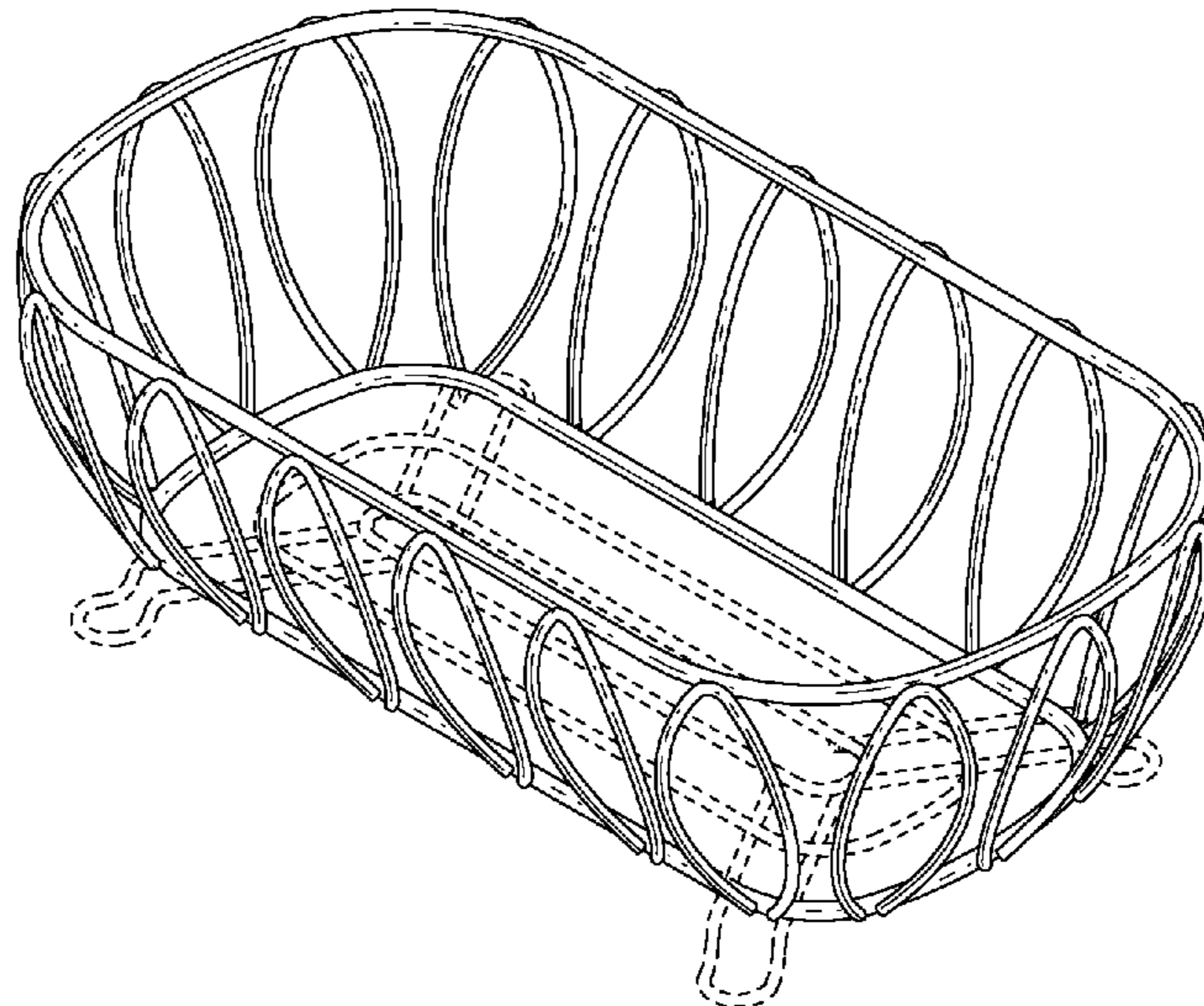
FIG. 1 is a perspective view of a bread basket showing my new design;
 FIG. 2 is a bottom view of the bread basket;
 FIG. 3 is a front view of the bread basket, the rear view being a mirror image thereof;
 FIG. 4 is an end view of the bread basket, the opposite end view being a mirror image thereof; and,
 FIG. 5 is a top view of the bread basket.
 The broken lines in the drawing illustrate environmental matter and form no part of the claimed design.

1 Claim, 2 Drawing Sheets

(56) **References Cited**

U.S. PATENT DOCUMENTS

- 4,258,663 A * 3/1981 Schoessow 119/58
- D371,228 S * 6/1996 Monin D7/601
- D448,320 S * 9/2001 Jones et al. D11/148
- D507,108 S * 7/2005 Suero, Jr. D3/304



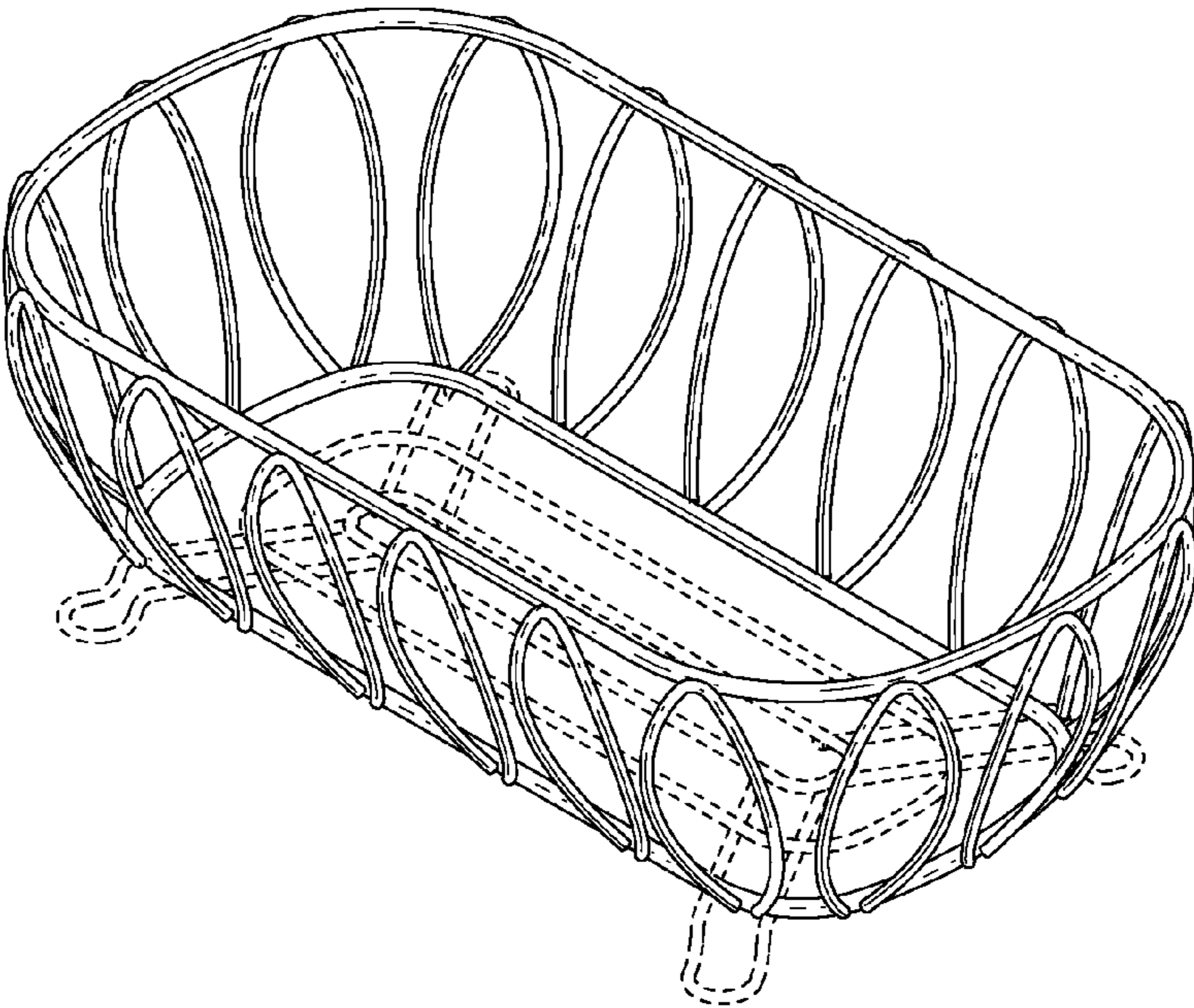


FIG 1

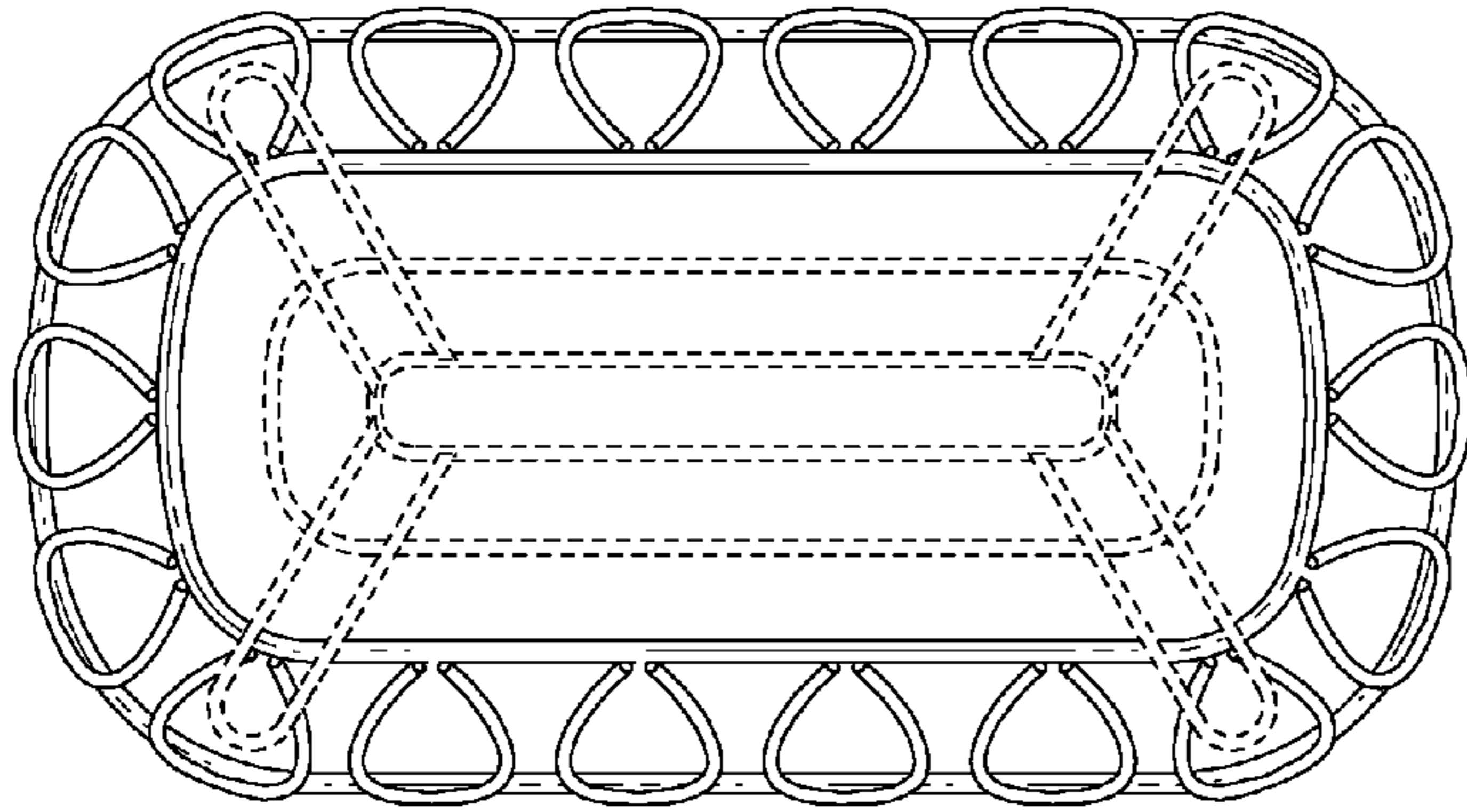


FIG 2

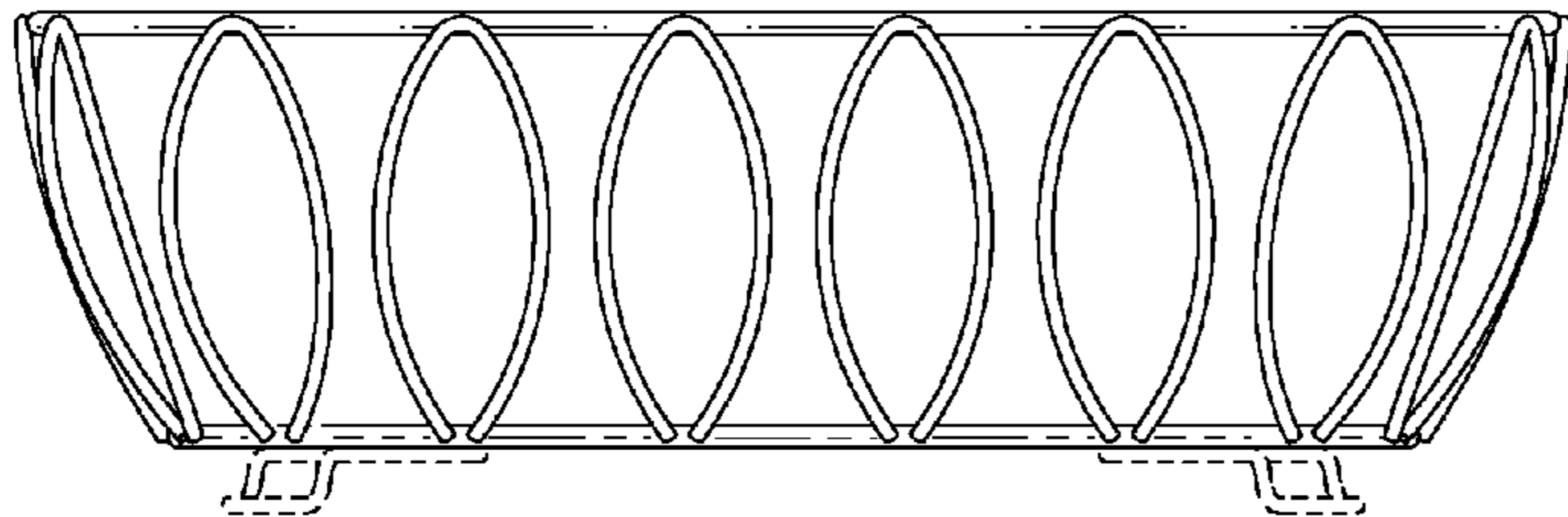


FIG 3

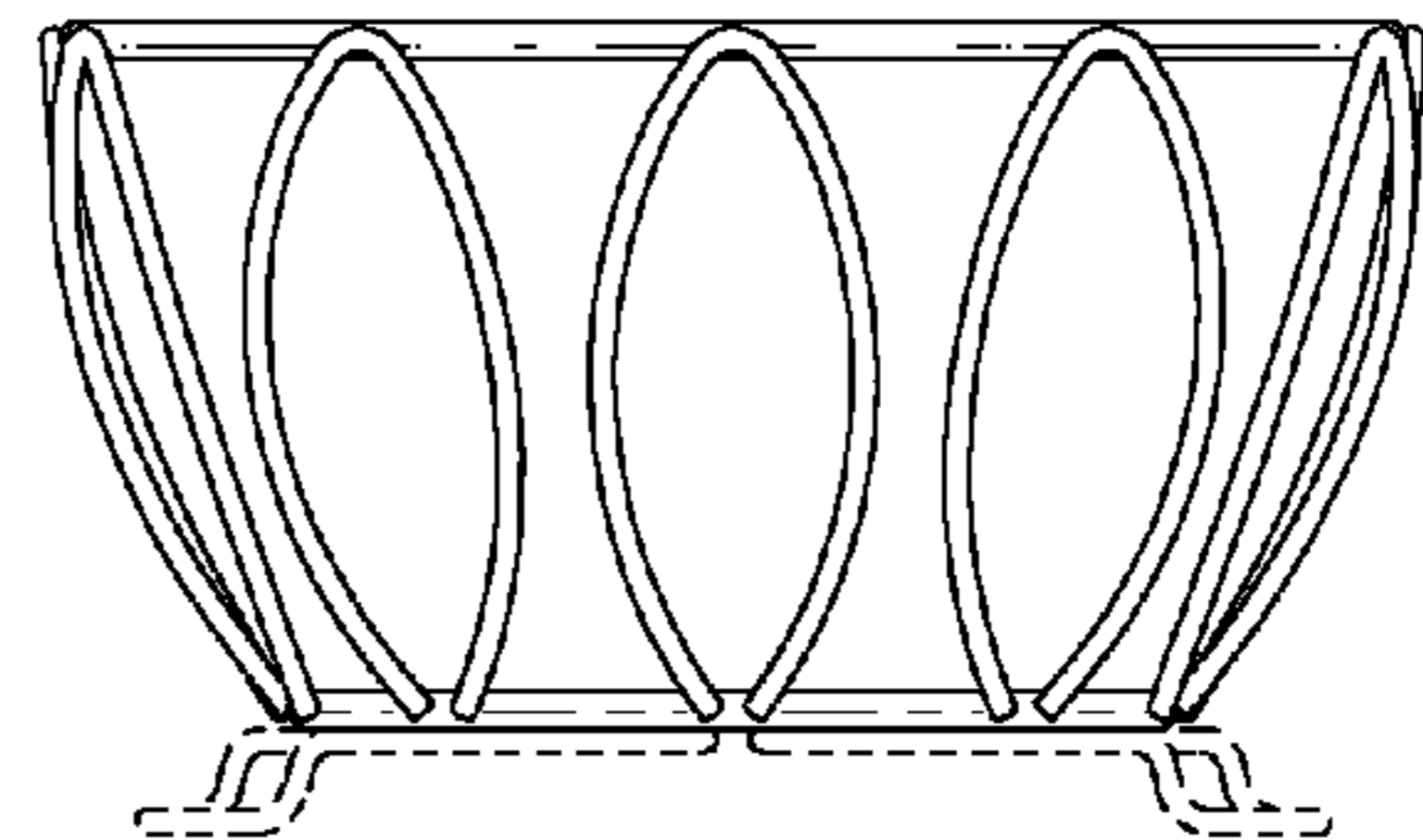


FIG 4

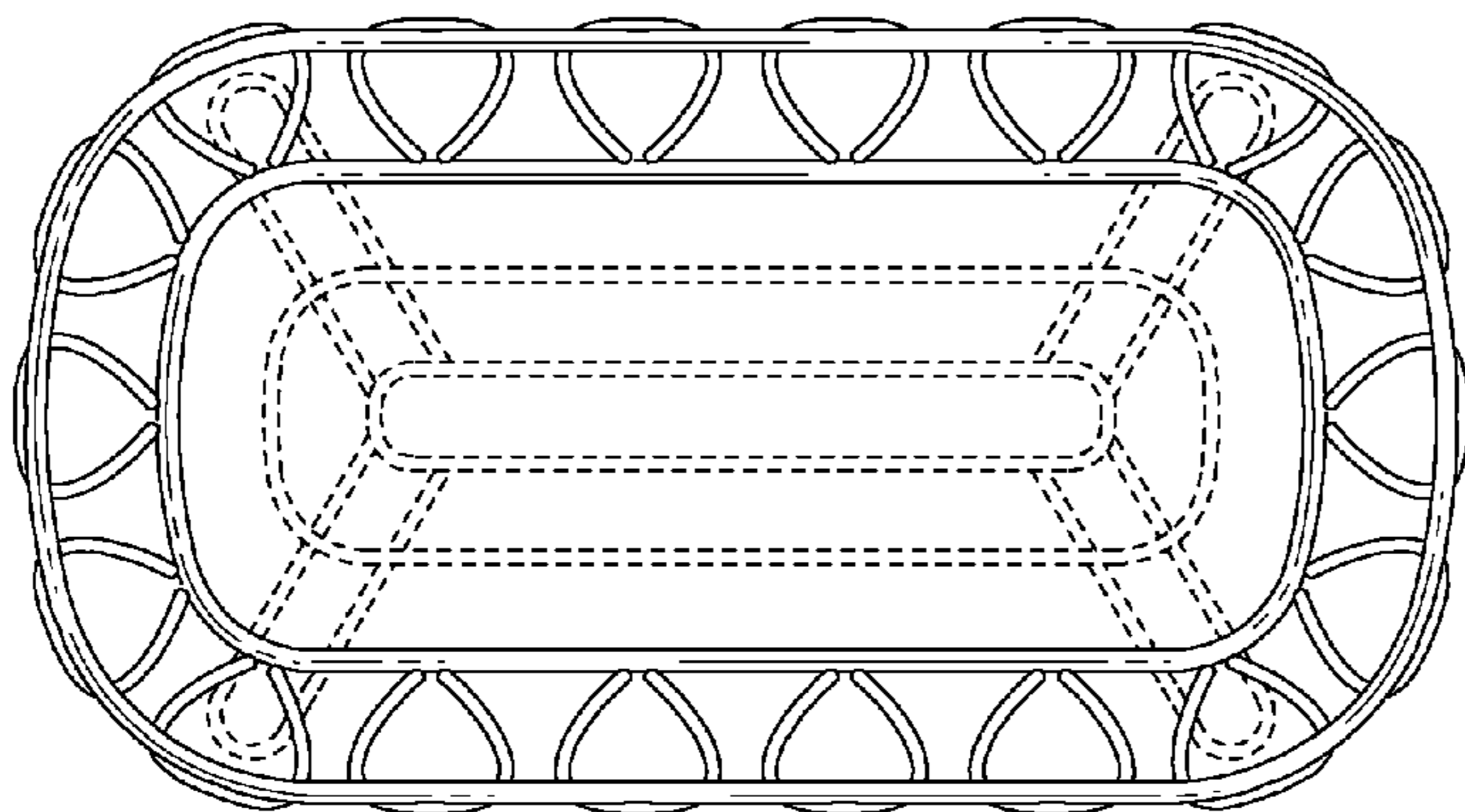


FIG 5