



US00D697369S

(12) **United States Design Patent**  
**Lona Santoyo et al.**

(10) **Patent No.:** **US D697,369 S**  
(45) **Date of Patent:** **\*\* Jan. 14, 2014**

(54) **DELTA GAS BURNER**

(71) Applicant: **Mabe, S.A. de C.V.**, Queretaro (MX)

(72) Inventors: **Jose Arturo Lona Santoyo**, Queretaro (MX); **Ernesto Arias del Campo**, Queretaro (MX); **Roberto Cabrera Botello**, Queretaro (MX)

(73) Assignee: **Mabe, S.A. de C.V.**, Queretaro (MX)

(\*\*) Term: **14 Years**

(21) Appl. No.: **29/459,215**

(22) Filed: **Jun. 27, 2013**

**Related U.S. Application Data**

(62) Division of application No. 29/440,771, filed on Dec. 27, 2012, now Pat. No. Des. 685,225, which is a division of application No. 29/418,736, filed on Apr. 20, 2012, now Pat. No. Des. 678,722.

**Foreign Application Priority Data**

Oct. 20, 2011 (MX) ..... MX/F/2011/003415

(51) **LOC (10) Cl.** ..... **07-02**

(52) **U.S. Cl.**  
USPC ..... **D7/407**

(58) **Field of Classification Search**  
USPC ..... D7/332, 334-337, 402-405, 407, D7/392.1; 126/25 R, 39 C, 41 R, 25 A, 126/29-30, 25 AA, 9 R, 37-38, 40, 39 E, 126/39 H; 99/481-482; D26/118; D23/335, D23/386, 342, 415; 392/357; 431/264

See application file for complete search history.

(56) **References Cited**

U.S. PATENT DOCUMENTS

D42,339 S	3/1912	Sherman
D48,913 S	4/1916	Parisen
D102,760 S	1/1937	Maul
2,311,994 A	3/1940	Parker
D125,112 S	2/1941	Reeves
D191,085 S	8/1961	Kindl
D228,766 S	10/1973	Stoher
D236,418 S	8/1975	Duperow
D315,081 S	3/1991	Archibald
5,397,234 A	3/1995	Kwiatek
D369,517 S	5/1996	Ferlin
D414,377 S	9/1999	Huang
D439,801 S	4/2001	Measom
6,315,552 B1	11/2001	Haynes et al.

(Continued)

FOREIGN PATENT DOCUMENTS

JP 11264516 9/1999

*Primary Examiner* — T. Chase Nelson  
*Assistant Examiner* — Mark Cavanna

(74) *Attorney, Agent, or Firm* — Enrique J. Mora; Beusse Wolter Sanks Mora & Maire, P.A.

(57) **CLAIM**

We claim the ornamental design for a delta gas burner, as described and illustrated.

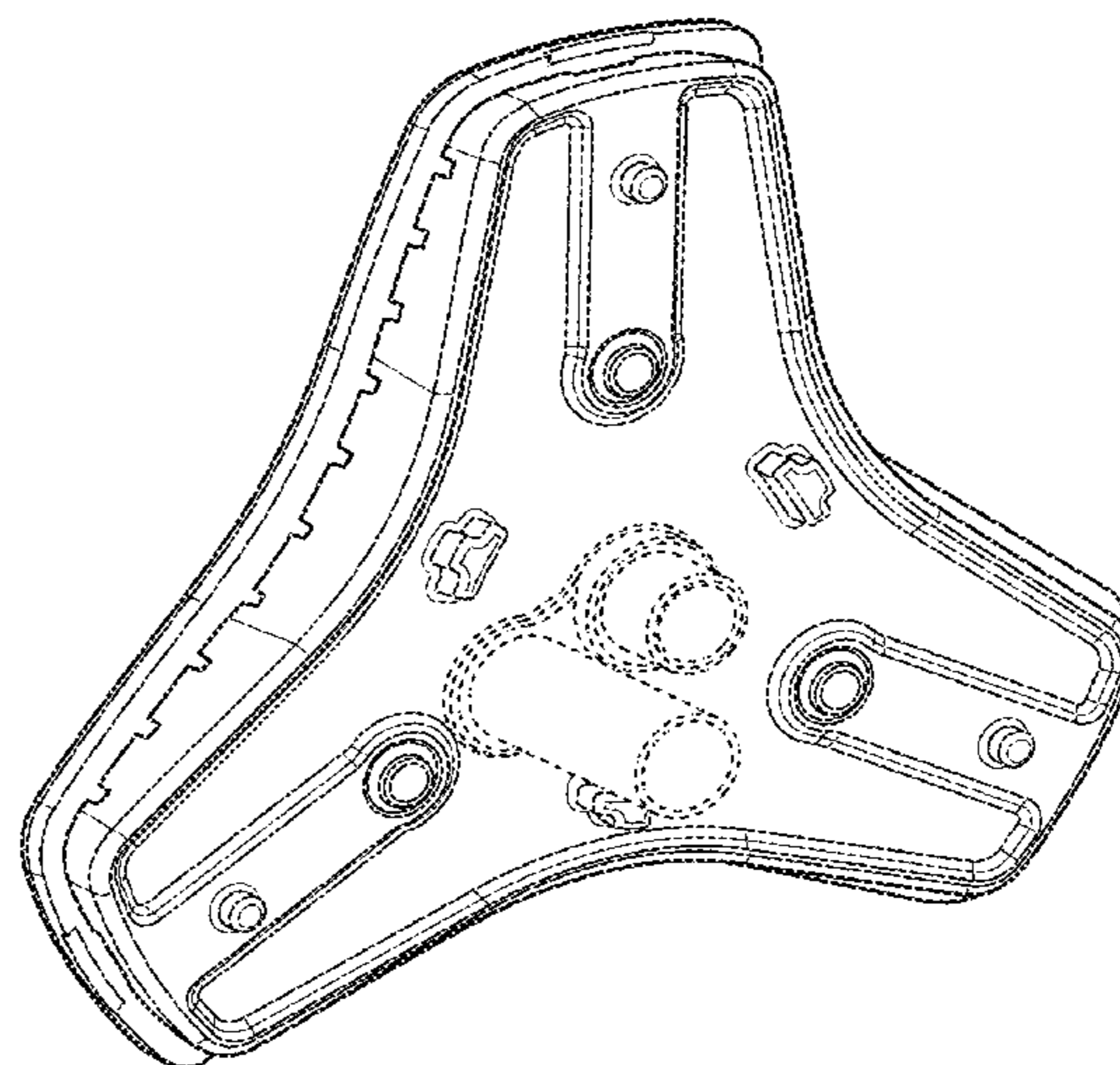
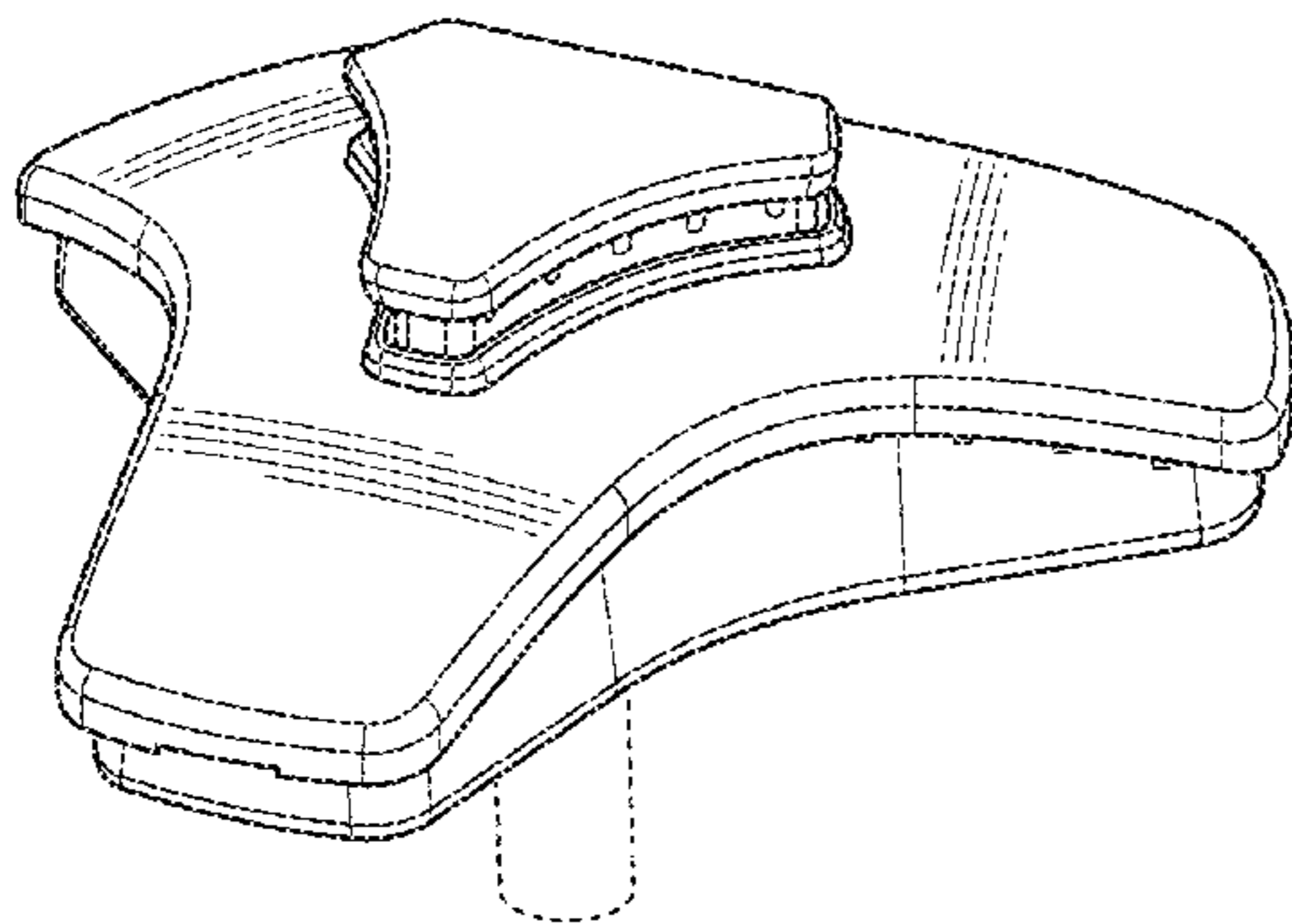
**DESCRIPTION**

FIG. 1 is a top perspective view of a delta gas burner of this application; and, FIG. 2 is a bottom perspective view of a delta gas burner of this application.

The surface shading lines which may be seen in the figures form no part of the claimed design. Broken lines are included for the purpose of illustrating portions of the delta gas burner that form no part of the claimed design.

The design consists of the features of shape, ornament, pattern and configuration of a delta gas burner for use in a stove or cook-top as shown in the drawings.

**1 Claim, 2 Drawing Sheets**



(56)

**References Cited**

U.S. PATENT DOCUMENTS

6,439,882 B2	8/2002	Haynes et al.	D534,767 S	1/2007	Tseng
D468,963 S	1/2003	Pai	D544,753 S	6/2007	Tseng
7,017,572 B2	3/2006	Cadima	D564,296 S	3/2008	Koch et al.
D524,105 S	7/2006	Poltronieri	D565,893 S	4/2008	Pryor et al.
			D565,894 S	4/2008	Pryor et al.
			D565,895 S	4/2008	Pryor et al.
			D581,214 S	11/2008	Rosa et al.
			D581,736 S	12/2008	Besseas

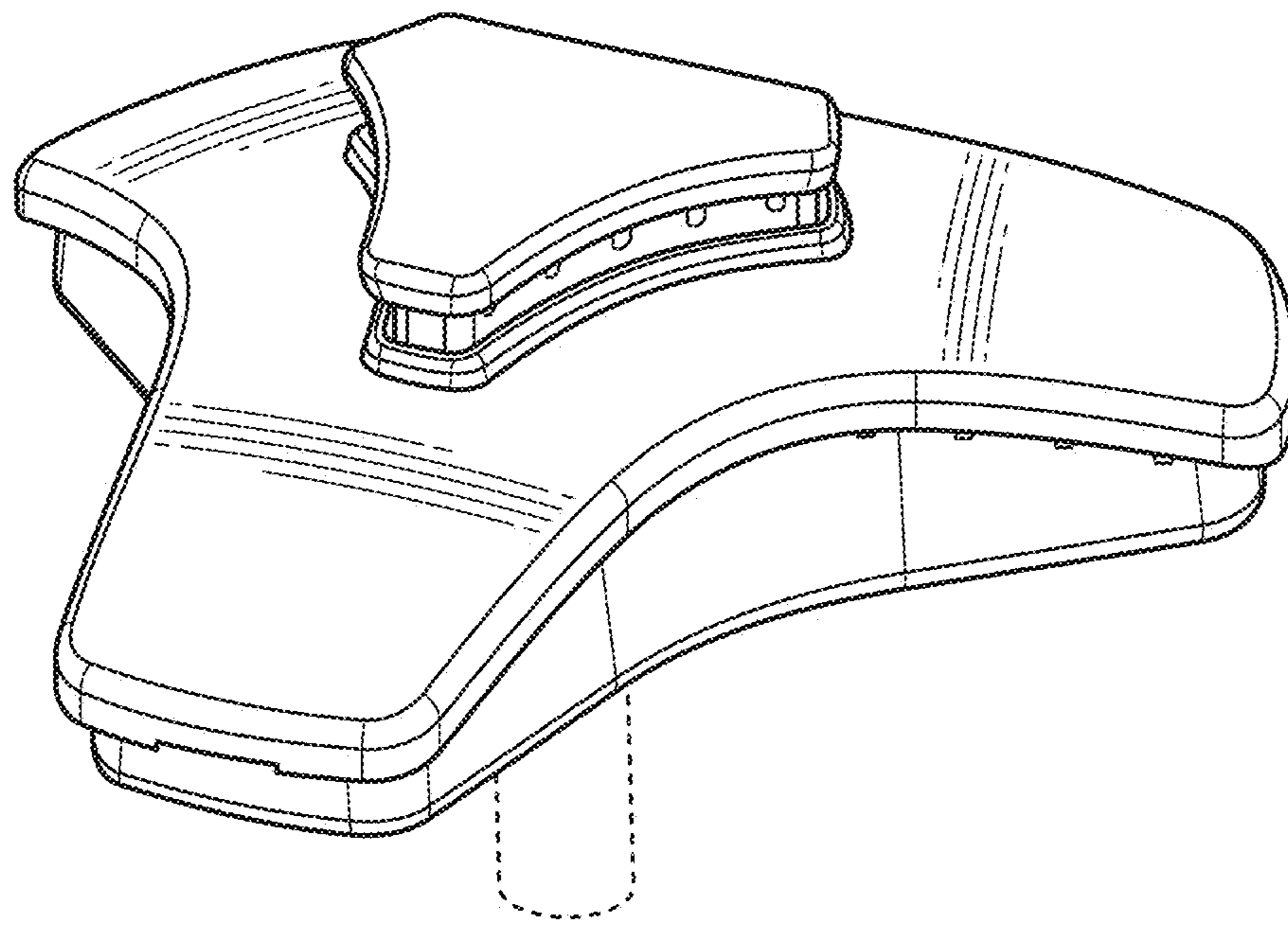


FIG. 1

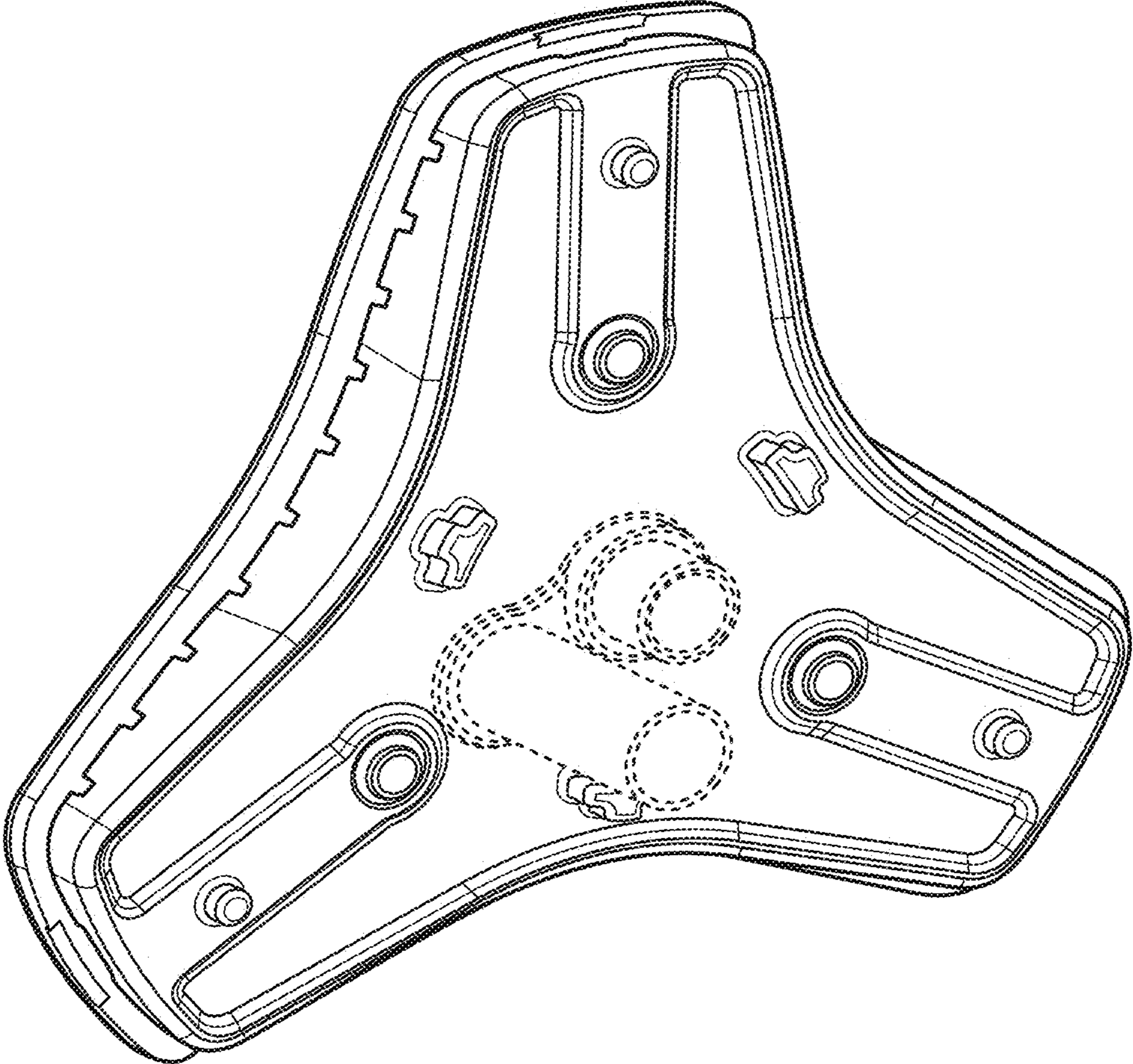


FIG. 2