



US00D697366S

(12) **United States Design Patent**
Kristinik

(10) **Patent No.:** **US D697,366 S**
(45) **Date of Patent:** **** Jan. 14, 2014**

- (54) **TUMBLER LID**
- (75) Inventor: **Elgin R. Kristinik**, Schulenburg, TX
(US)
- (73) Assignee: **KFS Marketing, Inc.**, Schulenburg, TX
(US)
- (**) Term: **14 Years**
- (21) Appl. No.: **29/421,070**
- (22) Filed: **May 15, 2012**
- (51) **LOC (10) Cl.** **07-02**
- (52) **U.S. Cl.**
USPC **D7/392.1; D9/453**
- (58) **Field of Classification Search**
USPC D7/391, 392, 392.1, 510, 511, 538, 540,
D7/542, 543, 544, 545, 629; D9/435, 447,
D9/449, 452, 453, 454; 220/200, 212.5,
220/253, 287, 315, 369, 380, 522, 781, 784,
220/793, 799, 810; 206/501, 502; 222/545,
222/566
See application file for complete search history.

D508,188 S *	8/2005	Zettle et al.	D7/629
D517,322 S *	3/2006	Zettle et al.	D3/323
D543,107 S *	5/2007	Reed et al.	D9/453
D543,108 S *	5/2007	Reed et al.	D9/453
D545,618 S *	7/2007	Zettle et al.	D7/391
D567,086 S *	4/2008	Buchman et al.	D9/454
D640,094 S *	6/2011	Carlson et al.	D7/510
D642,057 S *	7/2011	Reed et al.	D9/453
D642,919 S *	8/2011	Taylor	D9/453
D658,058 S *	4/2012	Sanges	D9/447
D674,241 S *	1/2013	Bickert et al.	D7/510
D677,523 S *	3/2013	Blckert et al.	D7/392.1

* cited by examiner

Primary Examiner — Susan E Krakower

(74) *Attorney, Agent, or Firm* — Christopher L. Makay

(57) **CLAIM**

The ornamental design for a tumbler lid, as shown and described.

DESCRIPTION

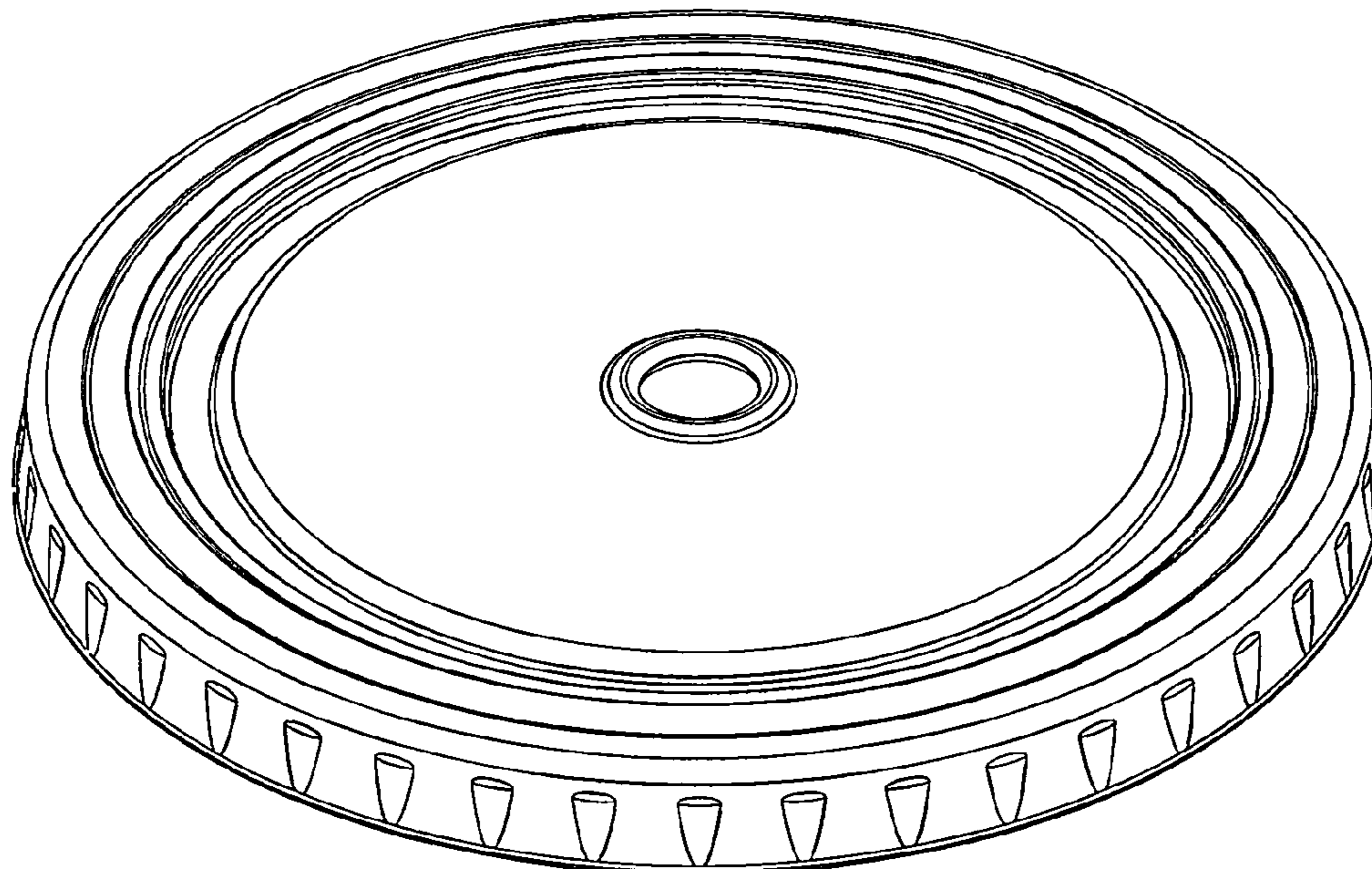
FIG. 1 is perspective view illustrating a first embodiment of the tumbler lid according to my new design;
 FIG. 2 is a side view thereof;
 FIG. 3 is a top view thereof;
 FIG. 4 is a bottom view thereof;
 FIG. 5 is a cross-sectional view thereof, taken along line 5-5 of FIG. 3;
 FIG. 6 is perspective view illustrating a second embodiment of the tumbler lid according to my new design;
 FIG. 7 is a side view thereof;
 FIG. 8 is a top view thereof;
 FIG. 9 is a bottom view thereof; and,
 FIG. 10 is a cross-sectional view thereof, taken along line 10-10 of FIG. 8.

1 Claim, 10 Drawing Sheets

(56) **References Cited**

U.S. PATENT DOCUMENTS

D201,320 S *	6/1965	Hirohama	D9/453
4,091,953 A *	5/1978	Daenen	220/23.86
4,421,244 A *	12/1983	Van Melle	220/781
D292,380 S *	10/1987	Smith	D9/435
D318,804 S *	8/1991	Ochs	D9/453
D322,760 S *	12/1991	Blanchette	D9/435
D381,267 S *	7/1997	Rush et al.	D9/452
D381,268 S *	7/1997	Rush et al.	D9/452
6,260,729 B1 *	7/2001	Mitchell et al.	220/287
D465,350 S *	11/2002	Byrne	D6/407
D469,296 S *	1/2003	Byrne	D6/635



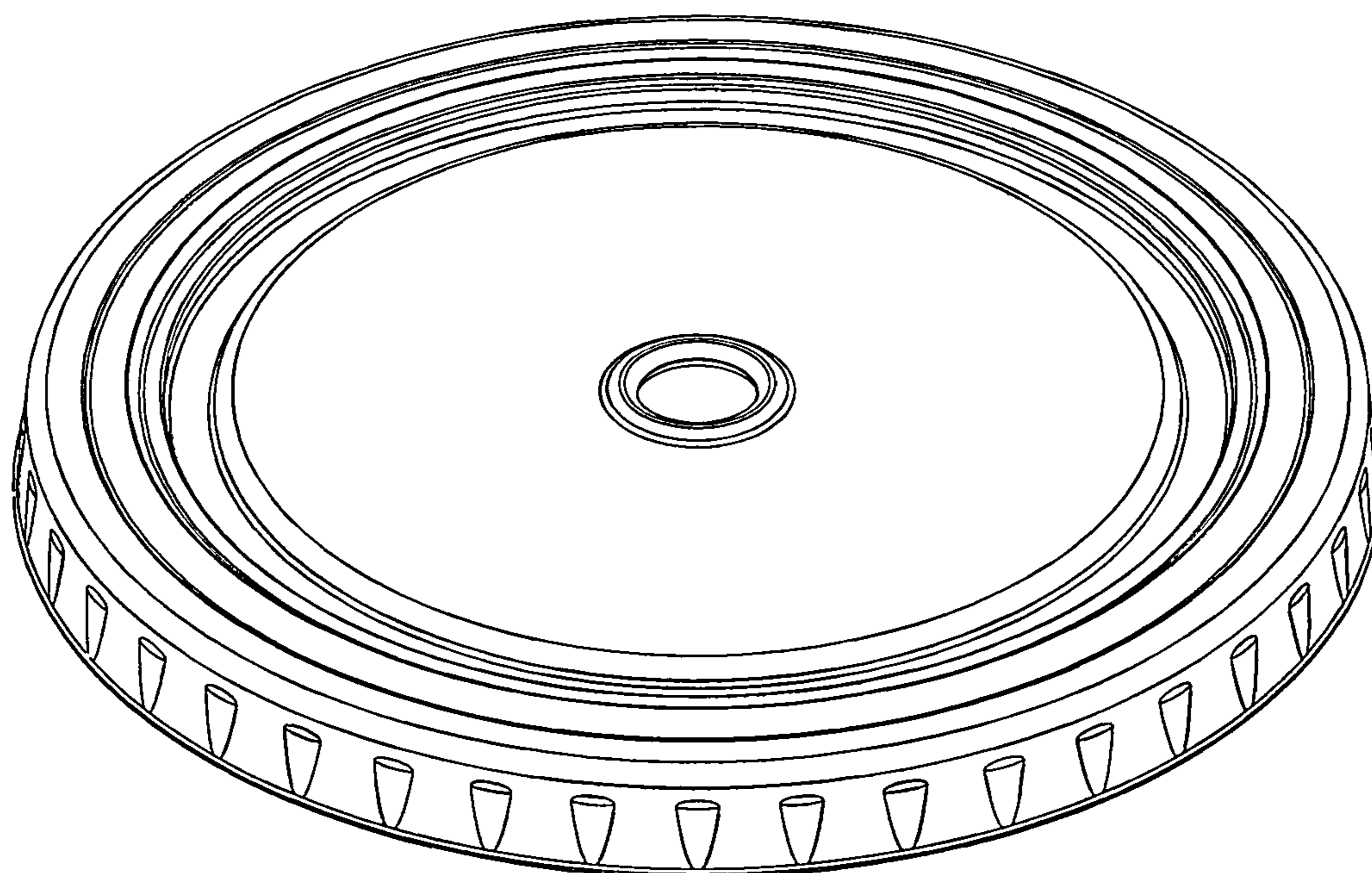


FIG 1

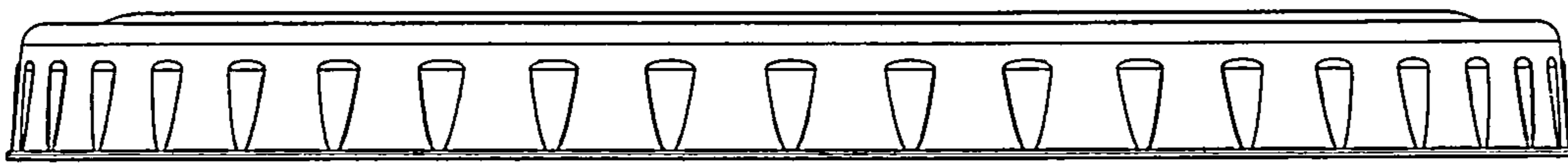


FIG 2

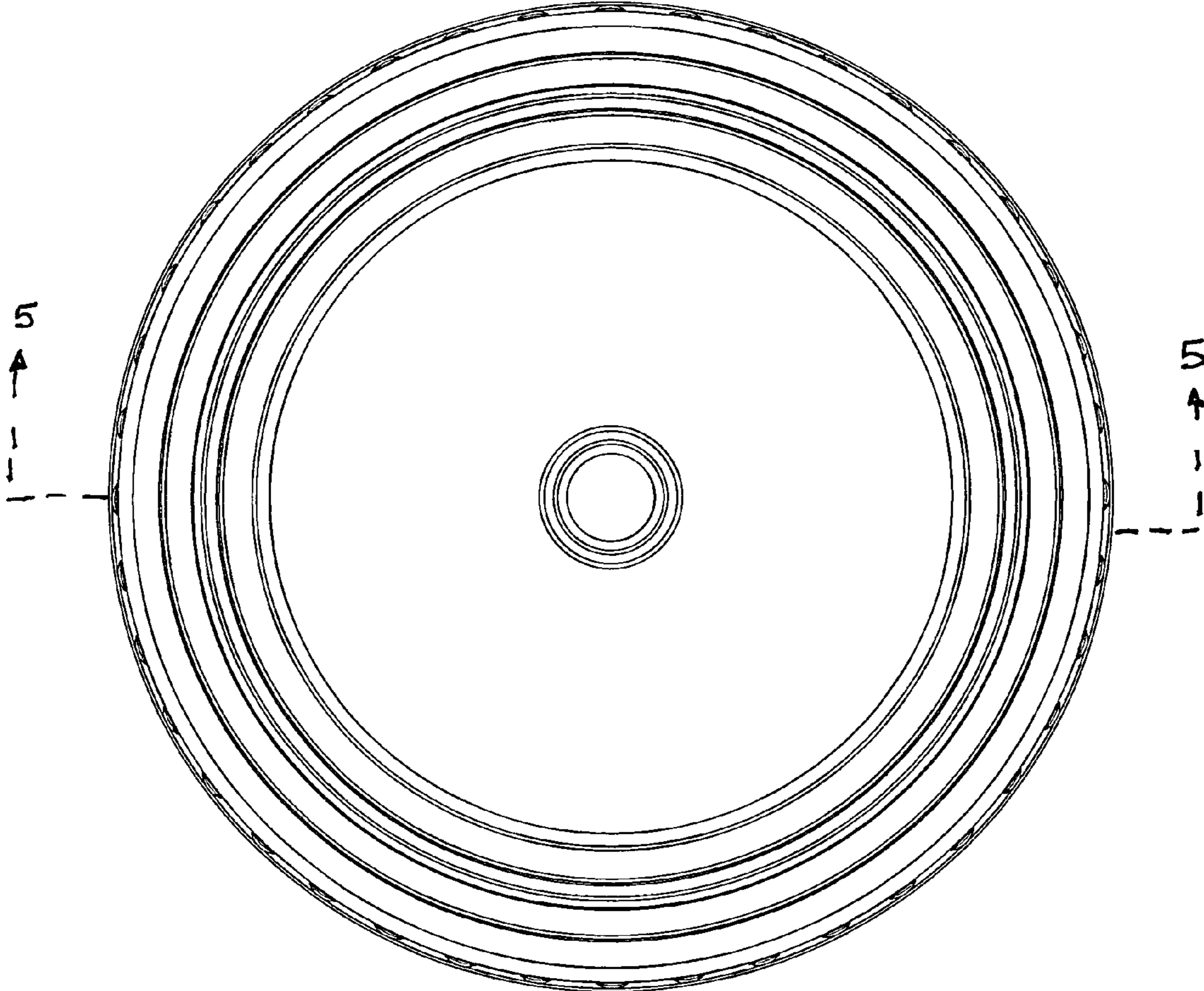


FIG 3

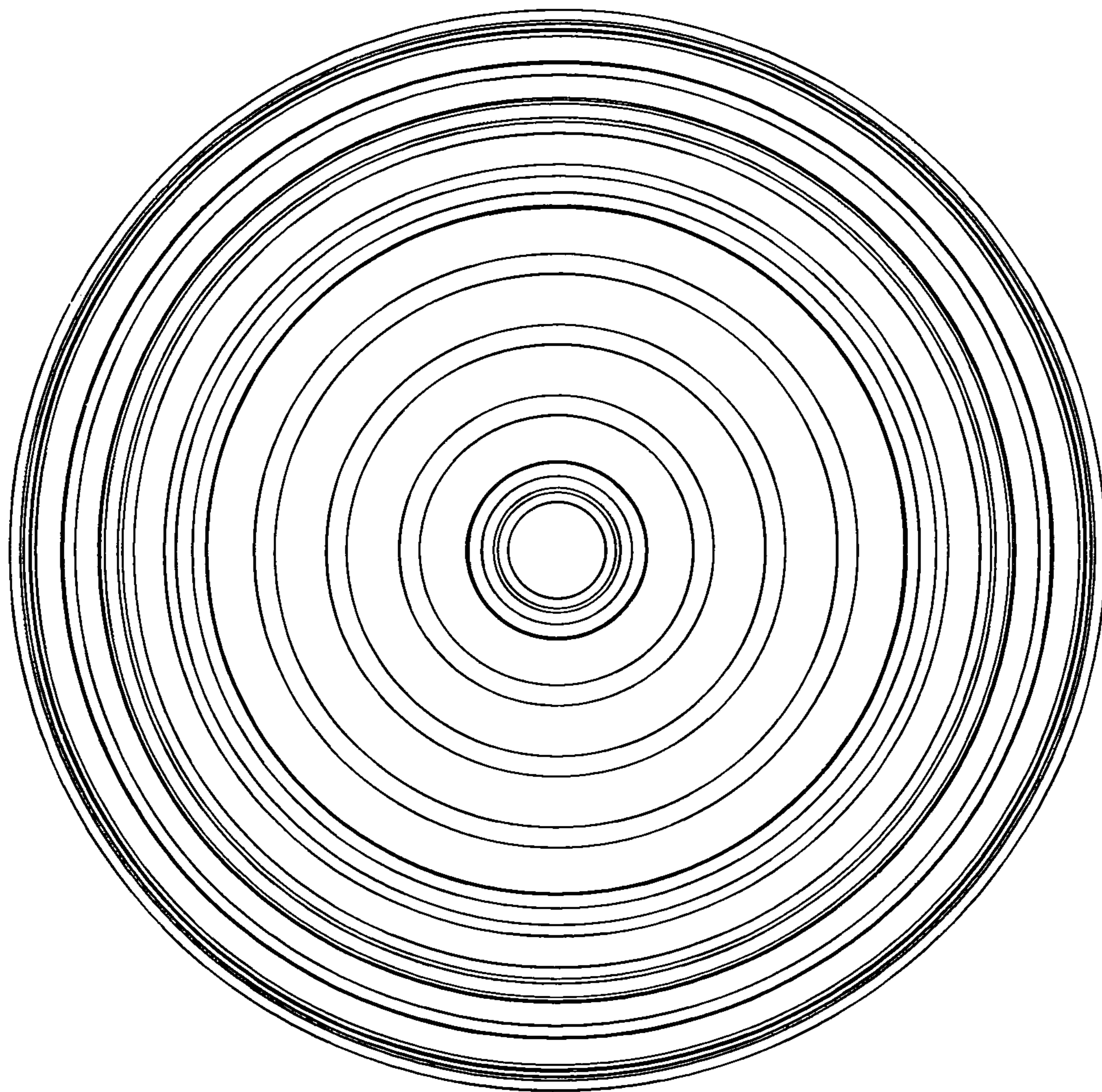


FIG 4

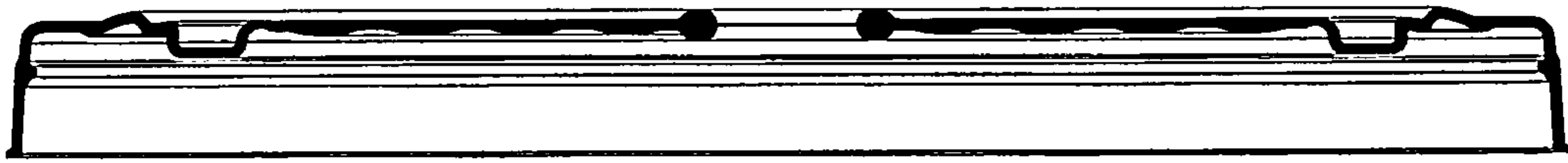


FIG 5

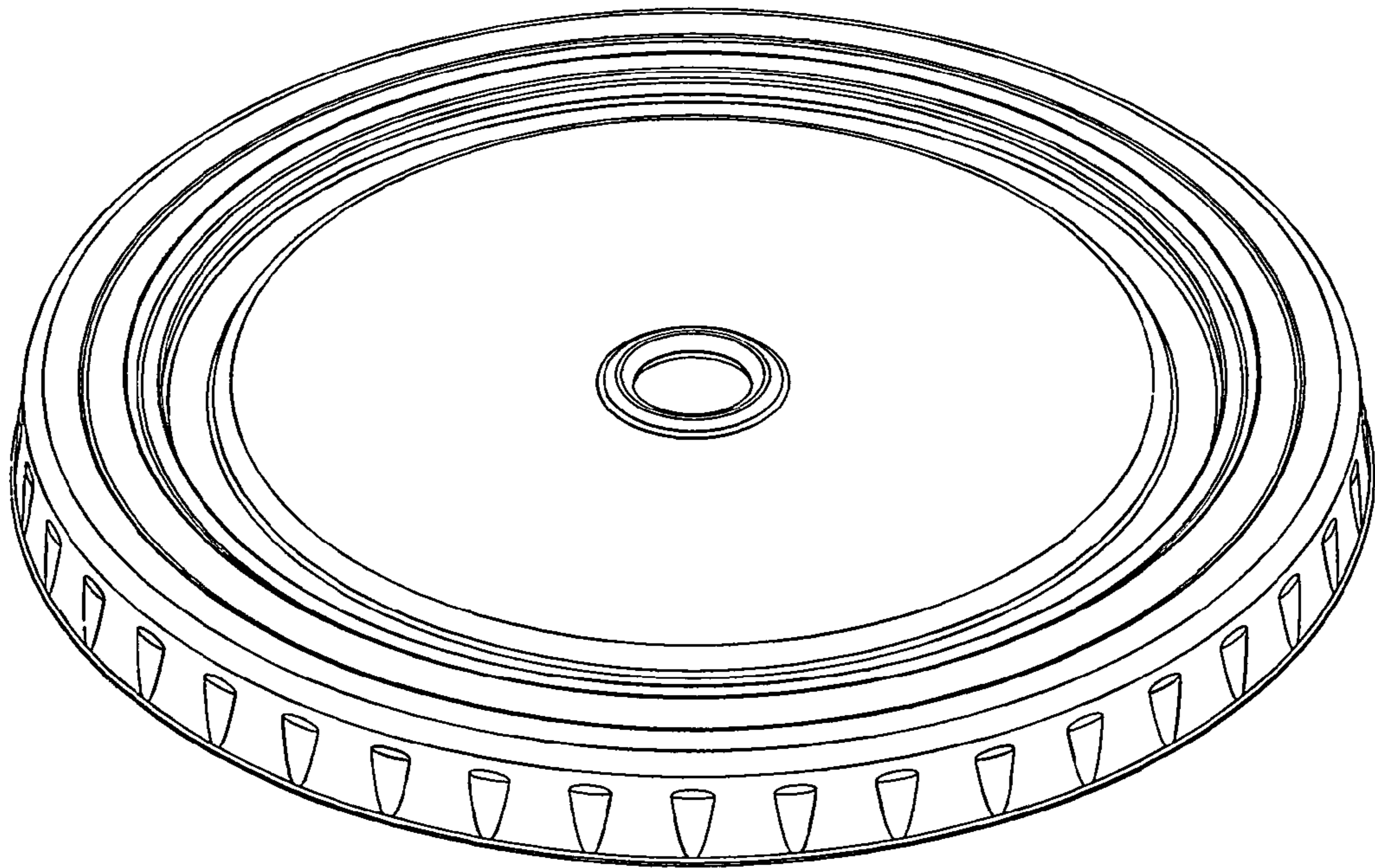


FIG 6

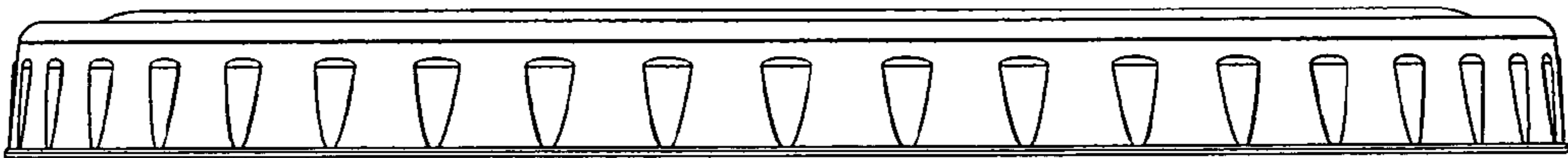


FIG 7

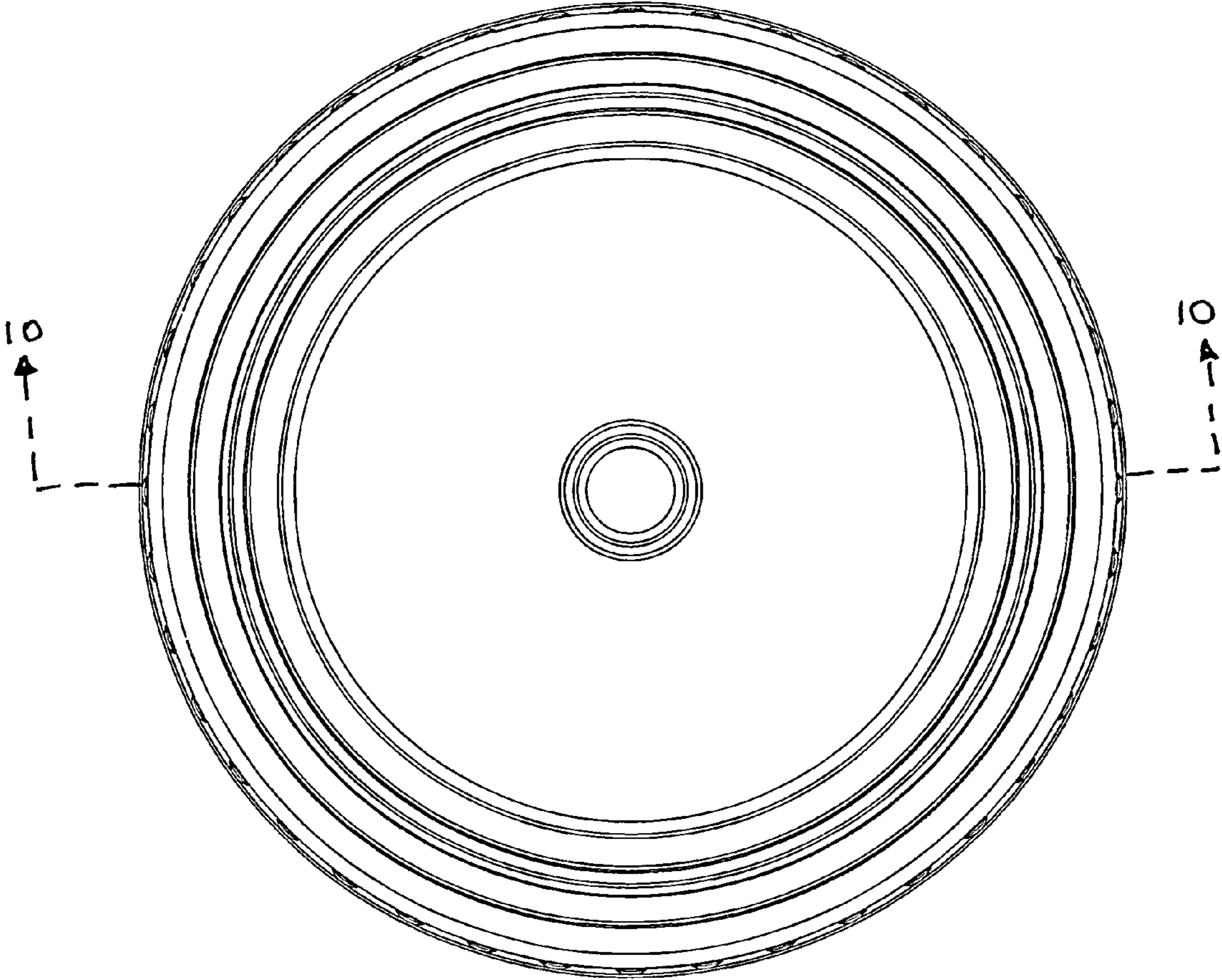


FIG 8

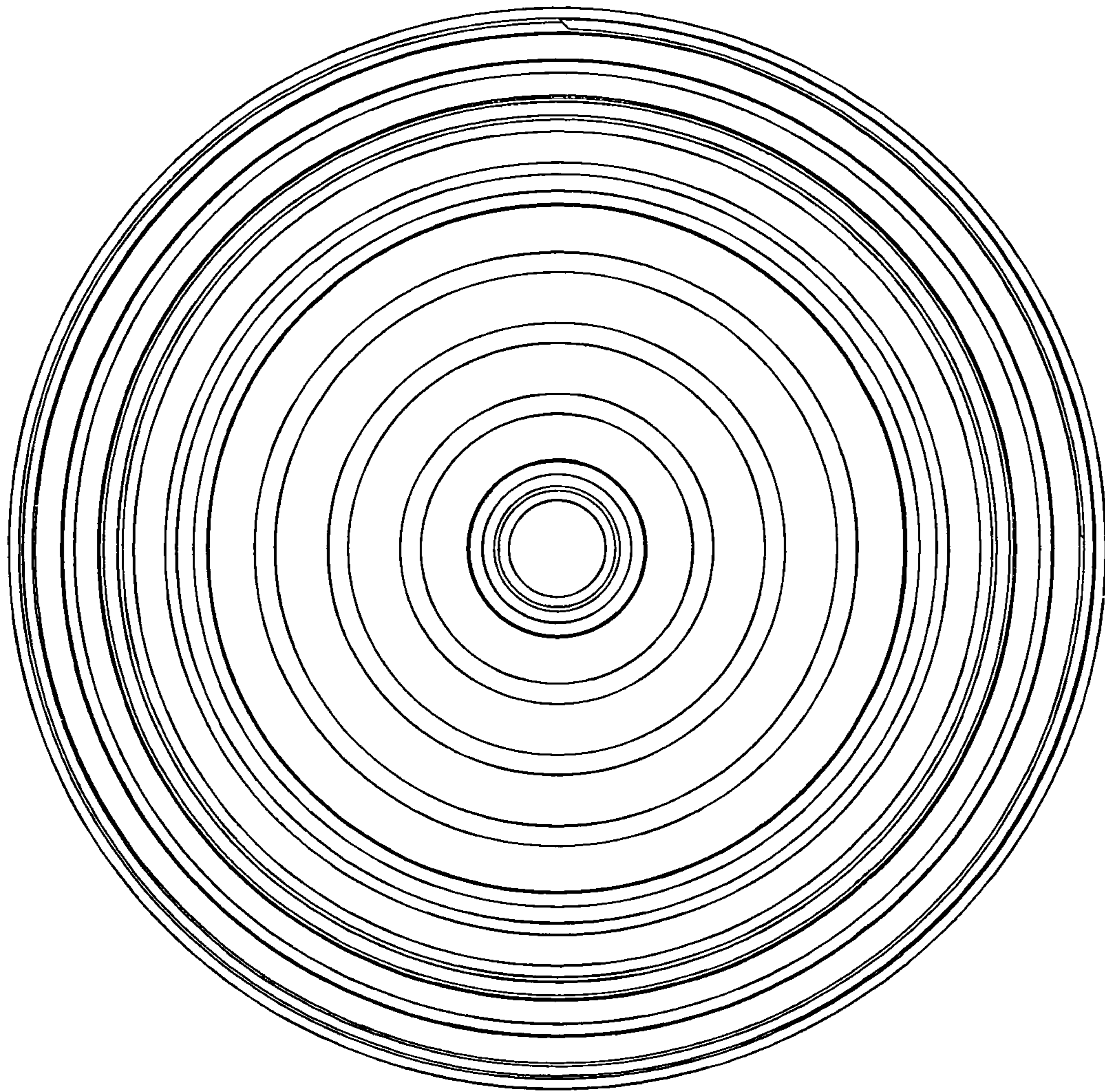


FIG 9

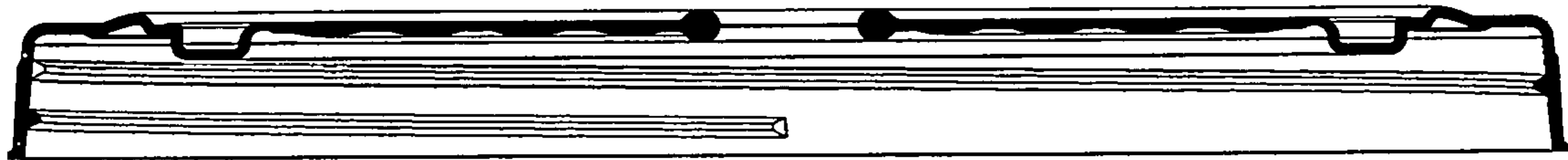


FIG 10