



US00D697365S

(12) **United States Design Patent**  
**Kunz**

(10) **Patent No.:** **US D697,365 S**  
(45) **Date of Patent:** **\*\* Jan. 14, 2014**

(54) **ELECTRIC GRILL WITH TOP AND HANDLE**

(71) Applicant: **Tefal**, Rumilly (FR)

(72) Inventor: **Anders Kunz**, Savigny le Sec (FR)

(73) Assignee: **Tefal**, Rumilly (FR)

(\*\*) Term: **14 Years**

(21) Appl. No.: **29/449,153**

(22) Filed: **Mar. 14, 2013**

(51) **LOC (10) Cl.** ..... **07-02**

(52) **U.S. Cl.**  
USPC ..... **D7/363; D7/352; D7/362**

(58) **Field of Classification Search**  
USPC ..... D7/323, 329-332, 337-339, 346-347,  
D7/350.1-350.4, 353-367, 391-395,  
D7/402-406, 538, 542-543, 665;  
99/324-327, 330-343, 369, 366, 372,  
99/400-418, 422, 425, 444-446, 483;  
126/37 R, 41 R, 261, 378.1;  
219/386-387, 400, 405, 429-442,  
219/452.11, 521-525, 620-624, 725,  
219/730-735; 220/23.88, 314-315, 485,  
220/573.1-573.5, 592.16, 912; 426/438,  
426/441, 523

See application file for complete search history.

(56) **References Cited**

**U.S. PATENT DOCUMENTS**

5,524,528	A *	6/1996	Yeh	99/446
D441,250	S *	5/2001	Choi	D7/362
D450,976	S *	11/2001	Mosher	D7/337
6,389,959	B1 *	5/2002	Robertson	99/331
D469,298	S *	1/2003	Hinton et al.	D7/332

D500,629	S *	1/2005	Huggler et al.	D7/352
D514,871	S *	2/2006	May et al.	D7/337
D564,826	S *	3/2008	Chin	D7/352
RE40,285	E *	5/2008	Wu	99/331
D582,716	S *	12/2008	Averty	D7/337
D614,436	S *	4/2010	Chung	D7/337
D627,189	S	11/2010	Deman	
D669,303	S *	10/2012	Garman	D7/363
D685,605	S *	7/2013	Xin	D7/362

\* cited by examiner

*Primary Examiner* — Ricky Pham

(74) *Attorney, Agent, or Firm* — Loeb & Loeb LLP

(57) **CLAIM**

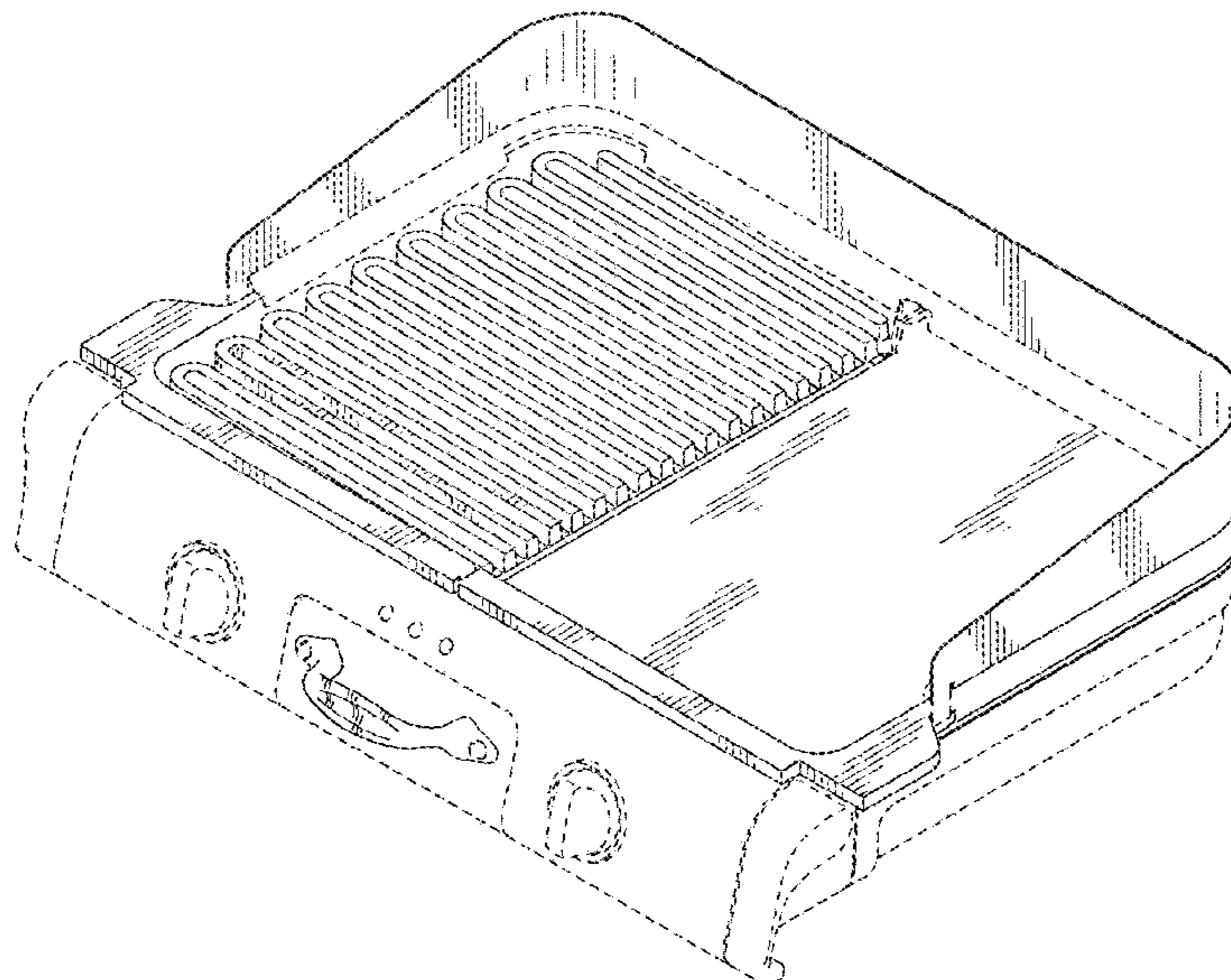
The ornamental design for an electric grill with top and handle, as shown and described.

**DESCRIPTION**

FIG. 1 is a front elevational view of an electric grill with top and handle showing my new design.  
 FIG. 2 is a back elevational view of the electric grill with top and handle of FIG. 1.  
 FIG. 3 is a left side elevational view of the electric grill with top and handle of FIG. 1.  
 FIG. 4 is a right side elevational view of the electric grill with top and handle of FIG. 1.  
 FIG. 5 is a top plan elevational view of the electric grill with top and handle of FIG. 1.  
 FIG. 6 is a bottom plan view of the electric grill with top and handle of FIG. 1; and,  
 FIG. 7 is a perspective view of the electric grill with top and handle of FIG. 1.

The broken lines appearing in the figures are for the purpose of illustrating the environmental structure of the article of the claimed design and form no part of the claimed design.

**1 Claim, 7 Drawing Sheets**



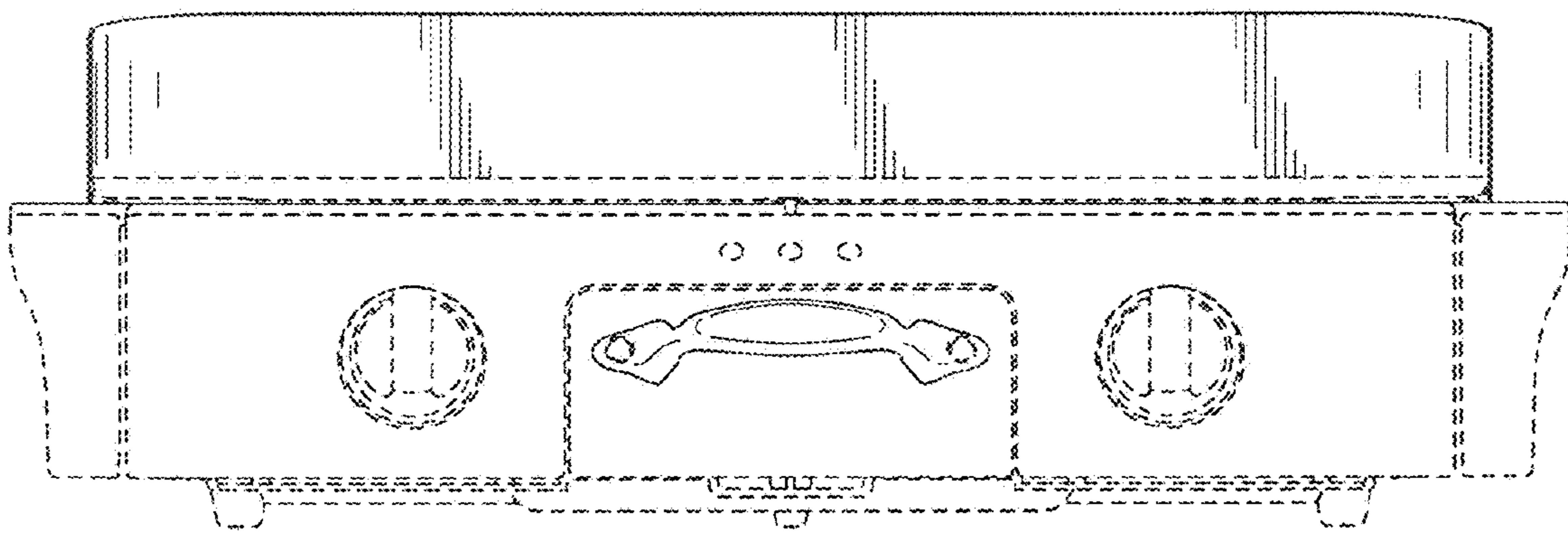


FIG. 1

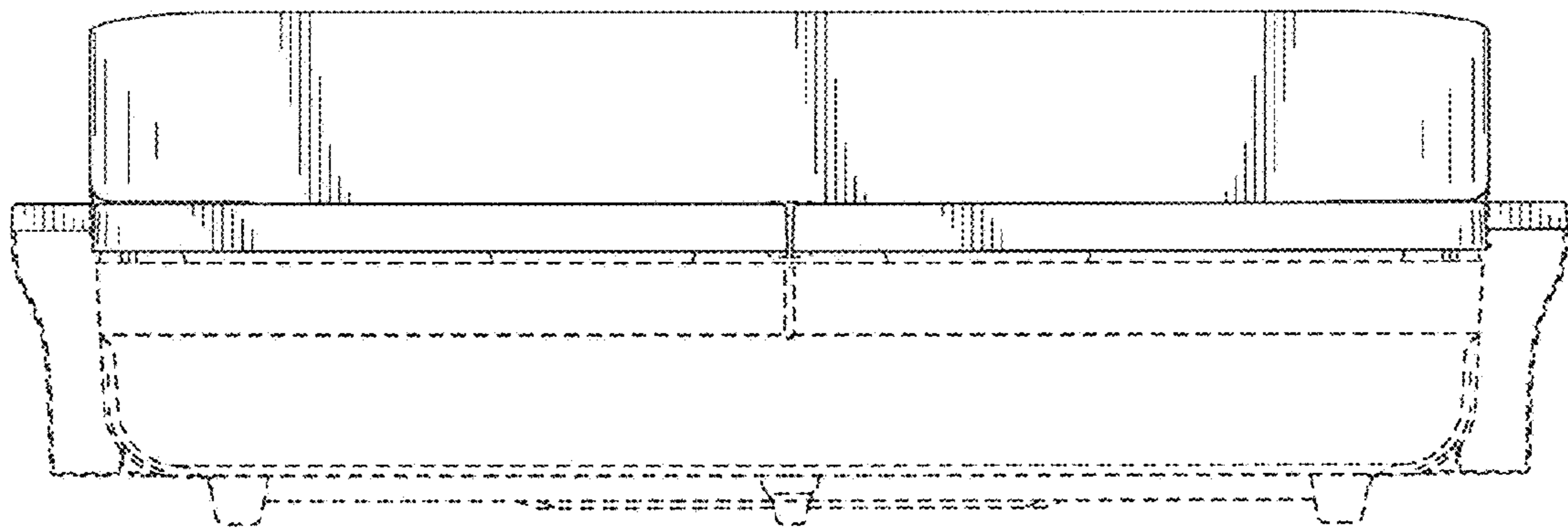


FIG. 2

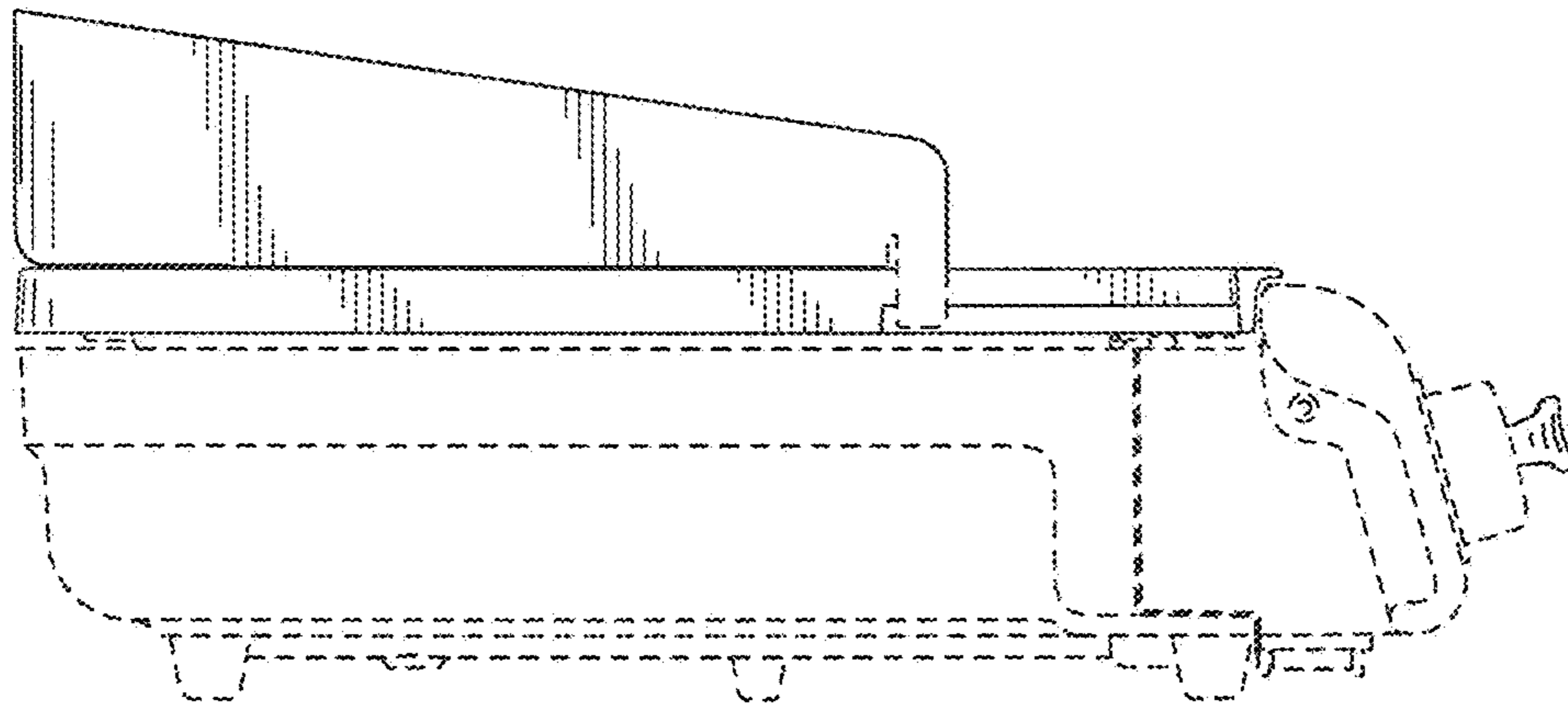


FIG. 3

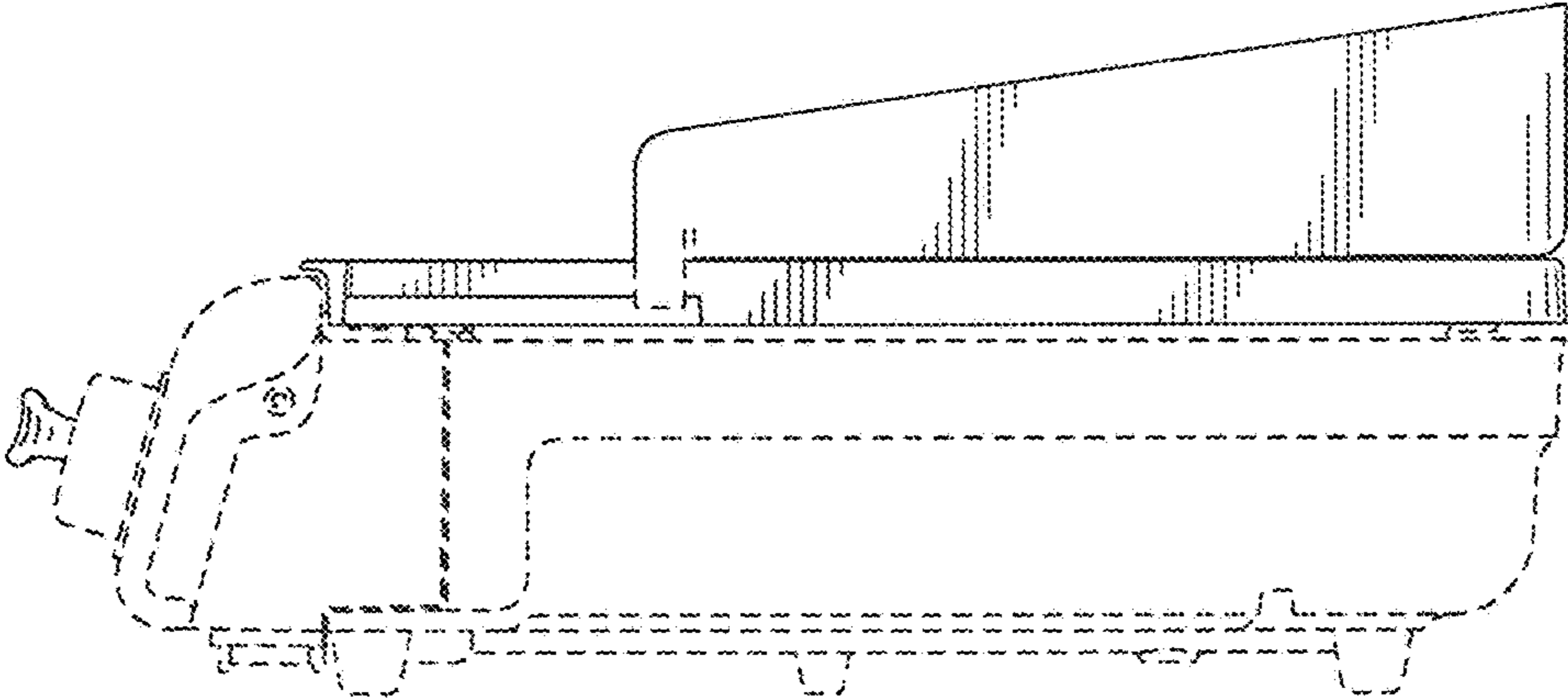


FIG. 4



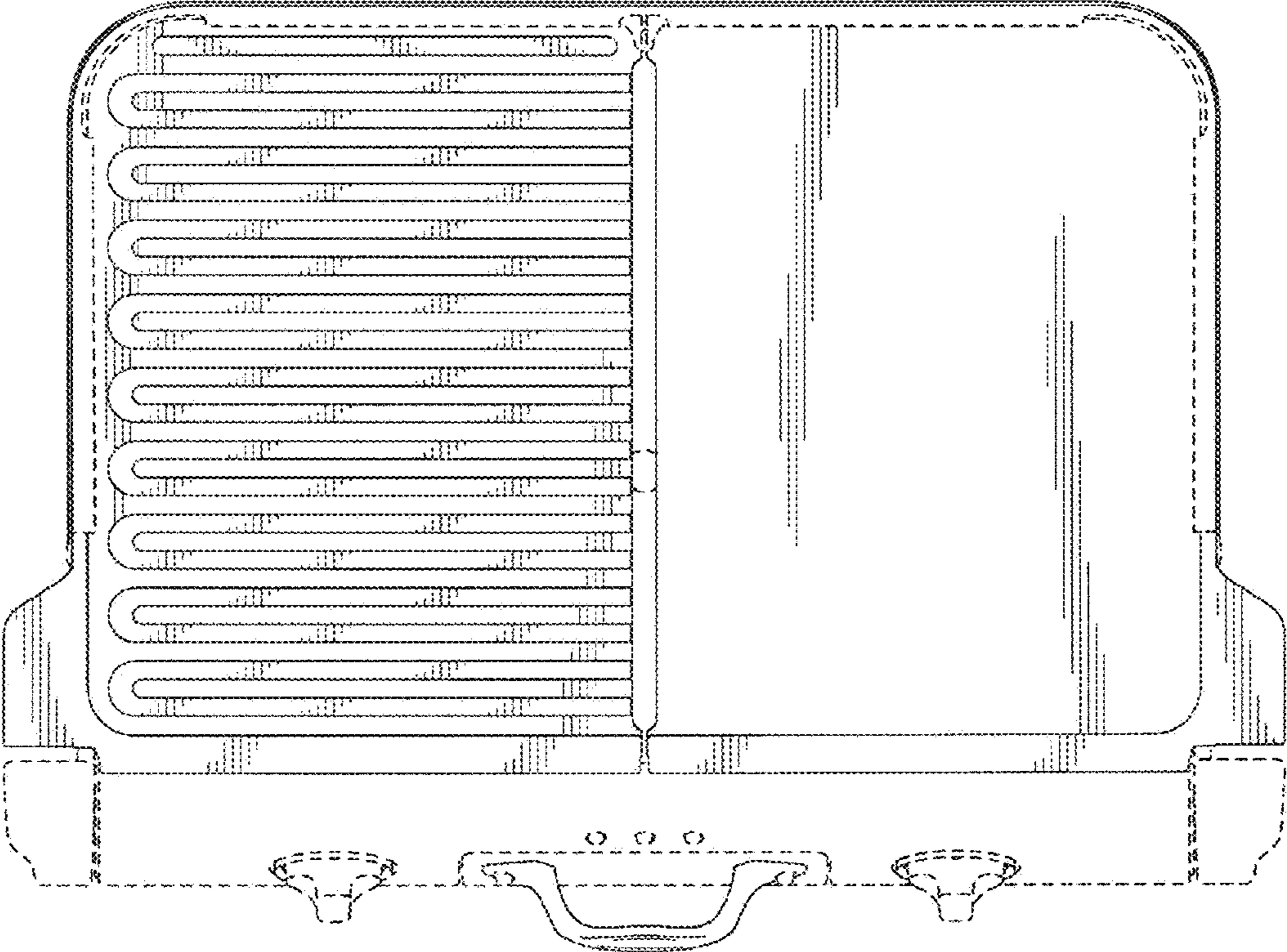


FIG. 5

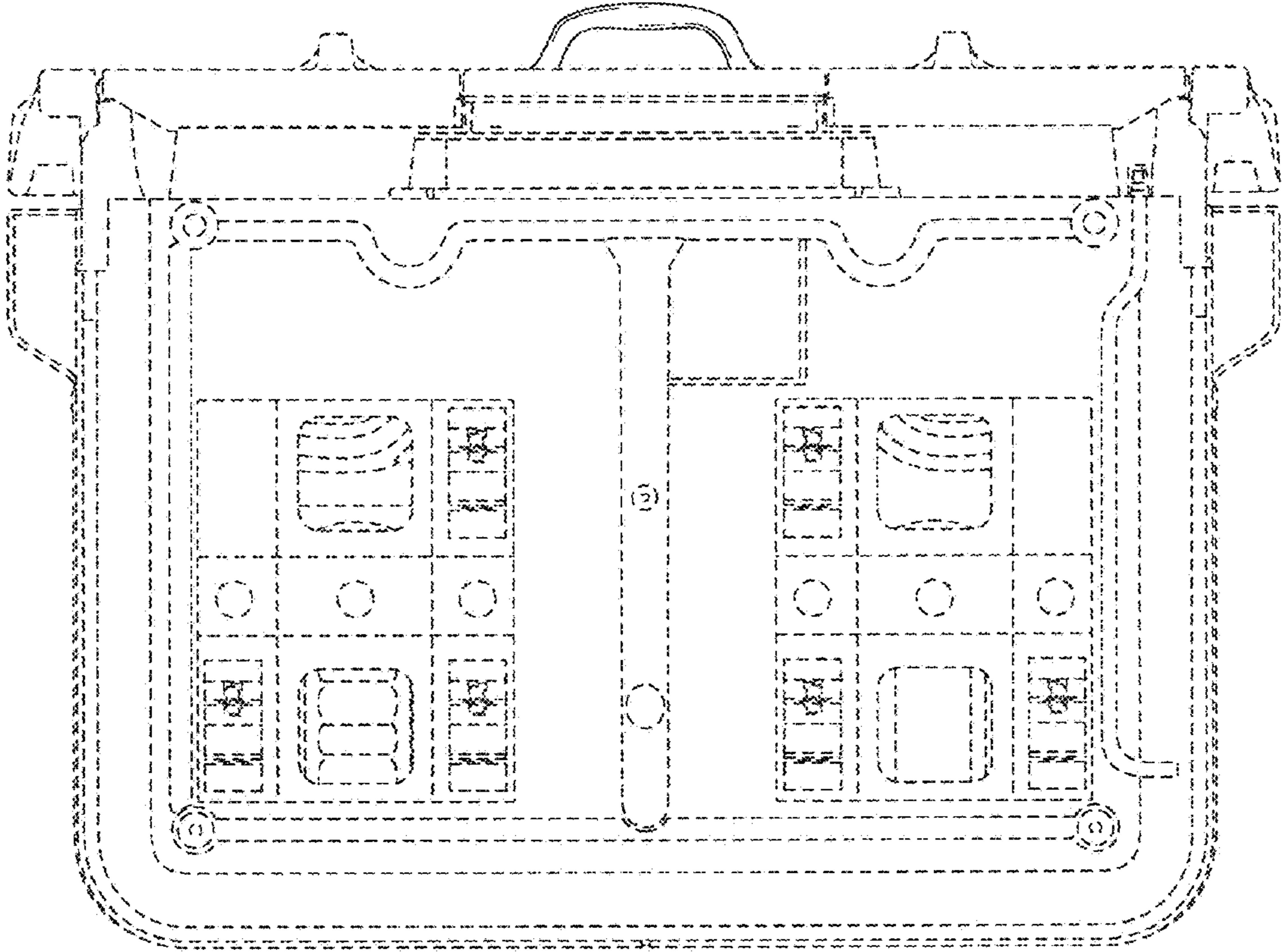


FIG. 6

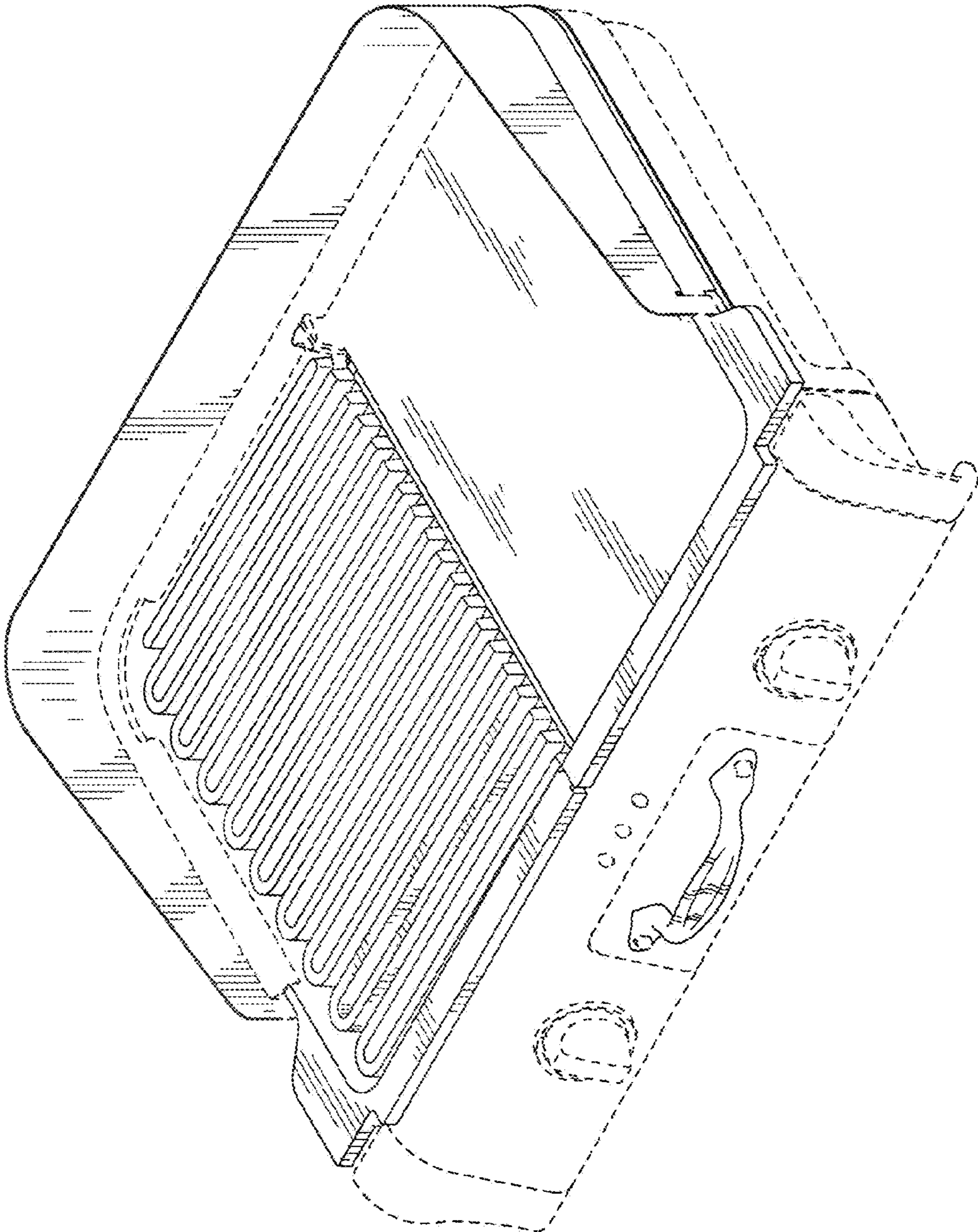


FIG. 7