

US00D697364S

(12) **United States Design Patent**
Melocchi

(10) **Patent No.:** **US D697,364 S**
(45) **Date of Patent:** **** Jan. 14, 2014**

(54) **OVEN**
(75) Inventor: **Mattia Melocchi**, Milan (IT)
(73) Assignee: **Macom S.R.L.**, Milan (IT)
(**) Term: **14 Years**
(21) Appl. No.: **29/429,971**
(22) Filed: **Aug. 20, 2012**

5,363,748 A *	11/1994	Boehm et al.	99/372
D411,937 S *	7/1999	Siegler et al.	D7/352
D419,823 S *	2/2000	Choi	D7/352
D464,230 S *	10/2002	Wu	D7/352
D467,766 S *	12/2002	Wanat et al.	D7/352
D504,047 S *	4/2005	Schmidt et al.	D7/352
D543,410 S *	5/2007	Cohen et al.	D7/352
7,285,751 B2 *	10/2007	Li	219/386
D594,693 S *	6/2009	Hsu	D7/354
D602,732 S *	10/2009	Busse et al.	D7/352
D630,883 S *	1/2011	Pang et al.	D7/352
D677,513 S *	3/2013	Blacken	D7/352

* cited by examiner

(30) **Foreign Application Priority Data**

Feb. 23, 2012 (EM) 001996810

(51) **LOC (10) Cl.** **07-02**

(52) **U.S. Cl.**
USPC **D7/362; D7/352; D7/354**

(58) **Field of Classification Search**
USPC D7/323, 329-332, 337-339, 346-347,
D7/350.1-350.4, 353-367, 391-395,
D7/402-406, 538, 542-543, 665;
99/324-327, 330-343, 369, 366, 372,
99/400-418, 422, 425, 444, 483; 126/37 R,
126/41 R, 261, 378.1; 177/144;
219/386-387, 400, 405, 429-442,
219/452.11, 521-525, 620-624, 725,
219/730-735; 220/23.88, 314-315, 485,
220/573.1-573.5, 592.16, 912; 426/438,
426/441, 523

See application file for complete search history.

(56) **References Cited**

U.S. PATENT DOCUMENTS

D347,548 S * 6/1994 Boehm et al. D7/352

Primary Examiner — Ricky Pham

(74) *Attorney, Agent, or Firm* — Hedman & Costigan, P.C.;
James V. Costigan; Kathleen A. Costigan

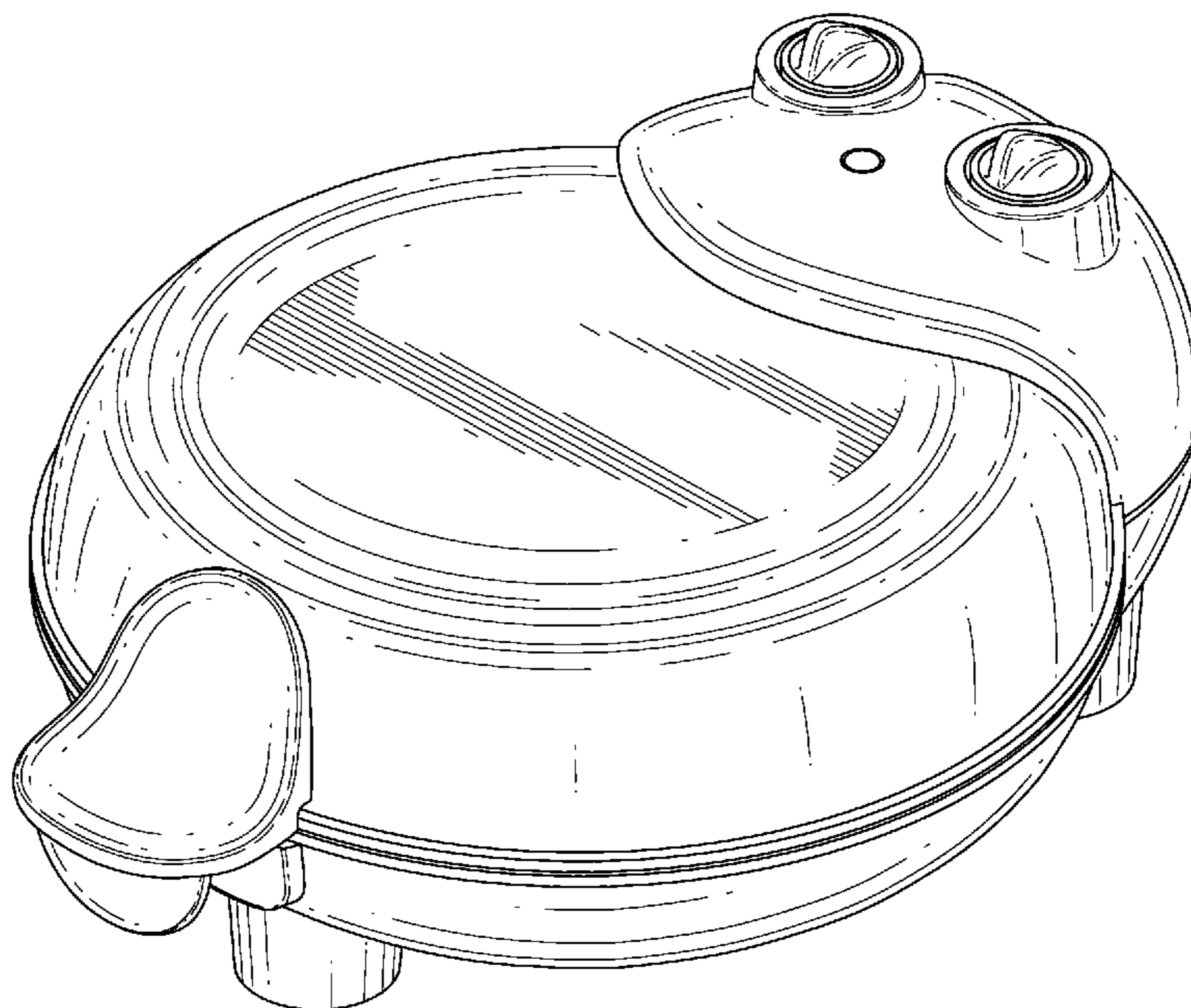
(57) **CLAIM**

I claim the ornamental design for an oven, as shown and described.

DESCRIPTION

FIG. 1 is a front, perspective view of an oven according to the present invention;
FIG. 2 is a front elevational view thereof;
FIG. 3 is a rear elevational view thereof;
FIG. 4 is a right side elevational view thereof;
FIG. 5 is a left side elevational view thereof;
FIG. 6 is top plan view thereof; and,
FIG. 7 is a bottom plan view thereof.

1 Claim, 7 Drawing Sheets



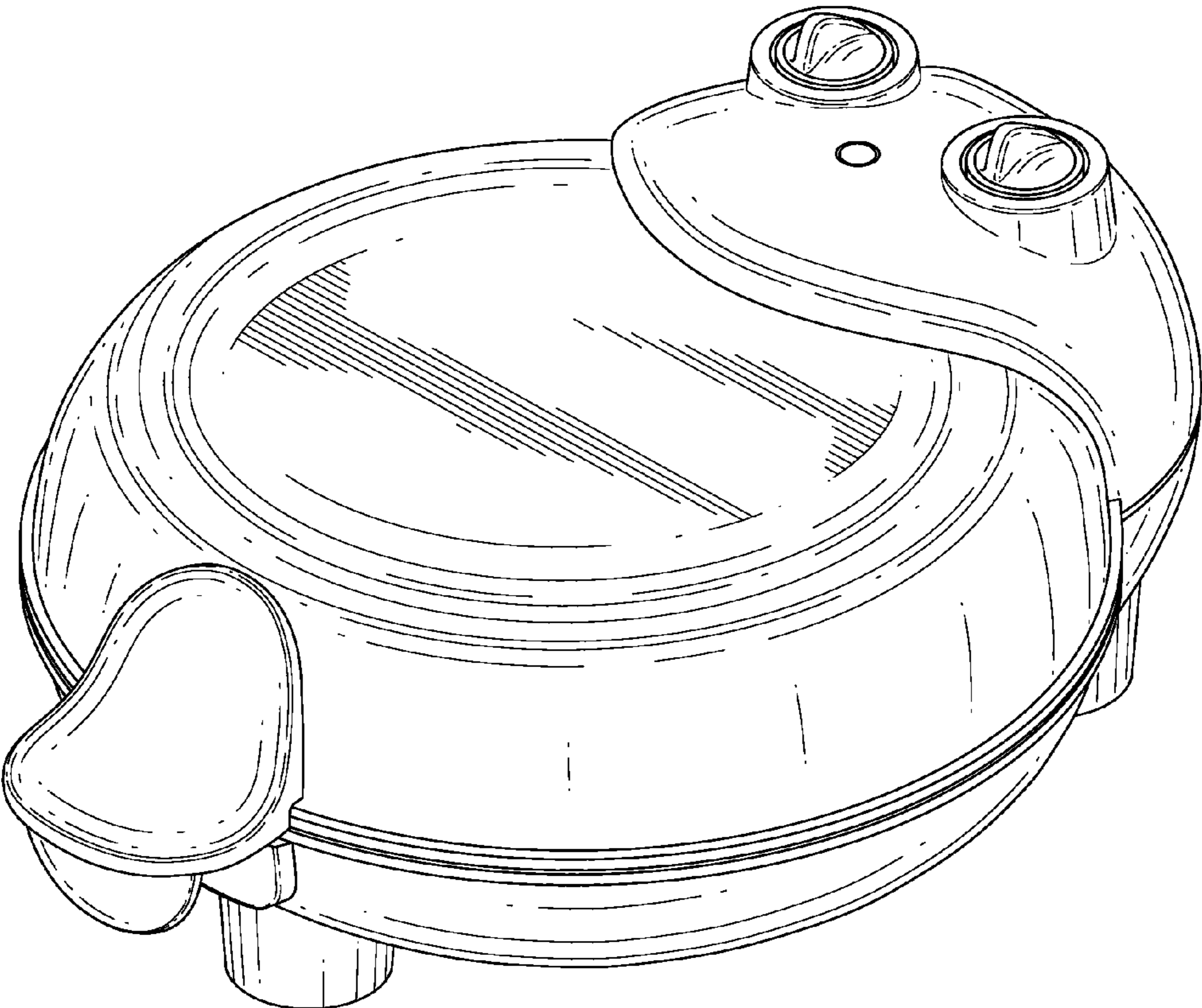


FIG. 1

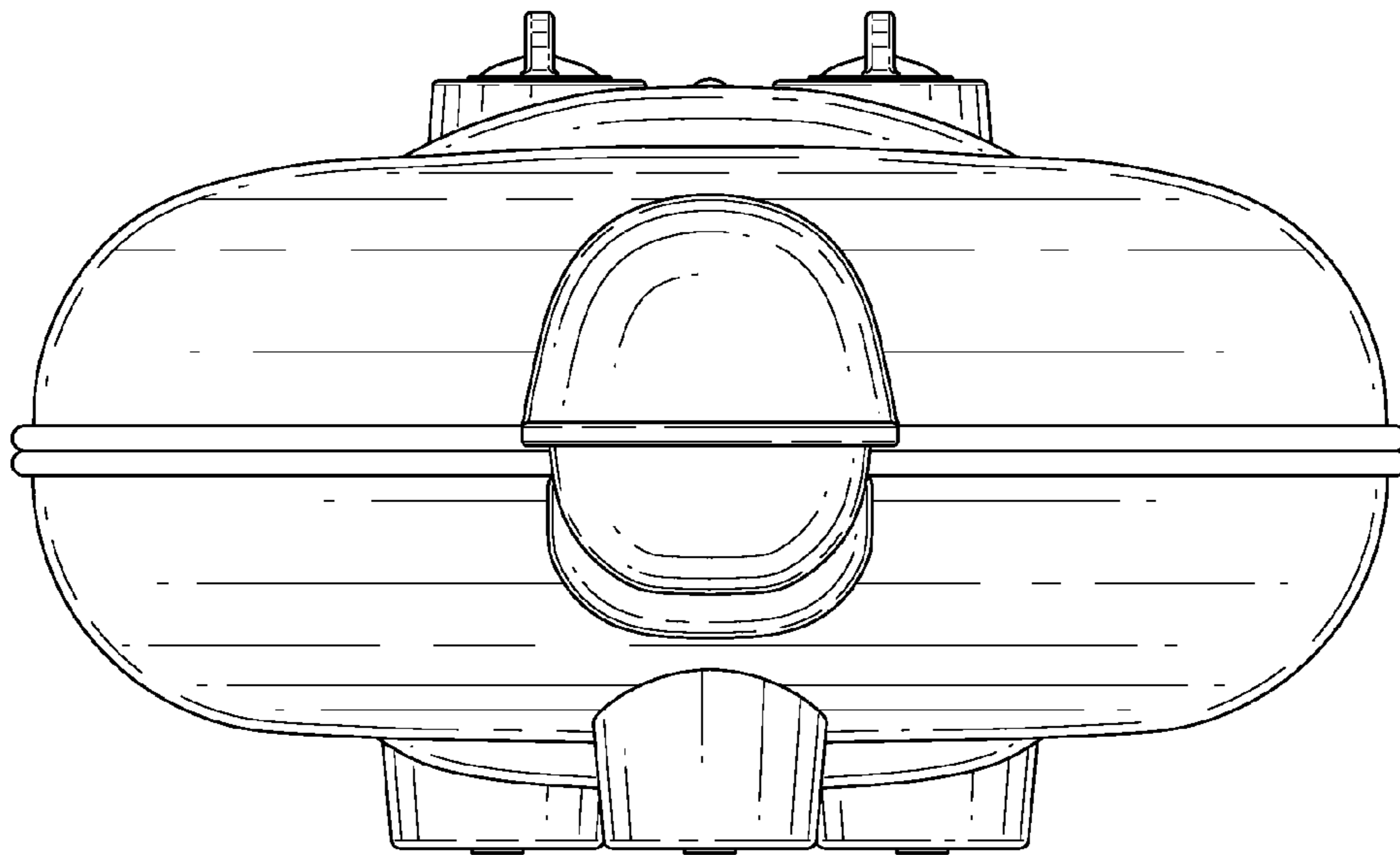


FIG.2

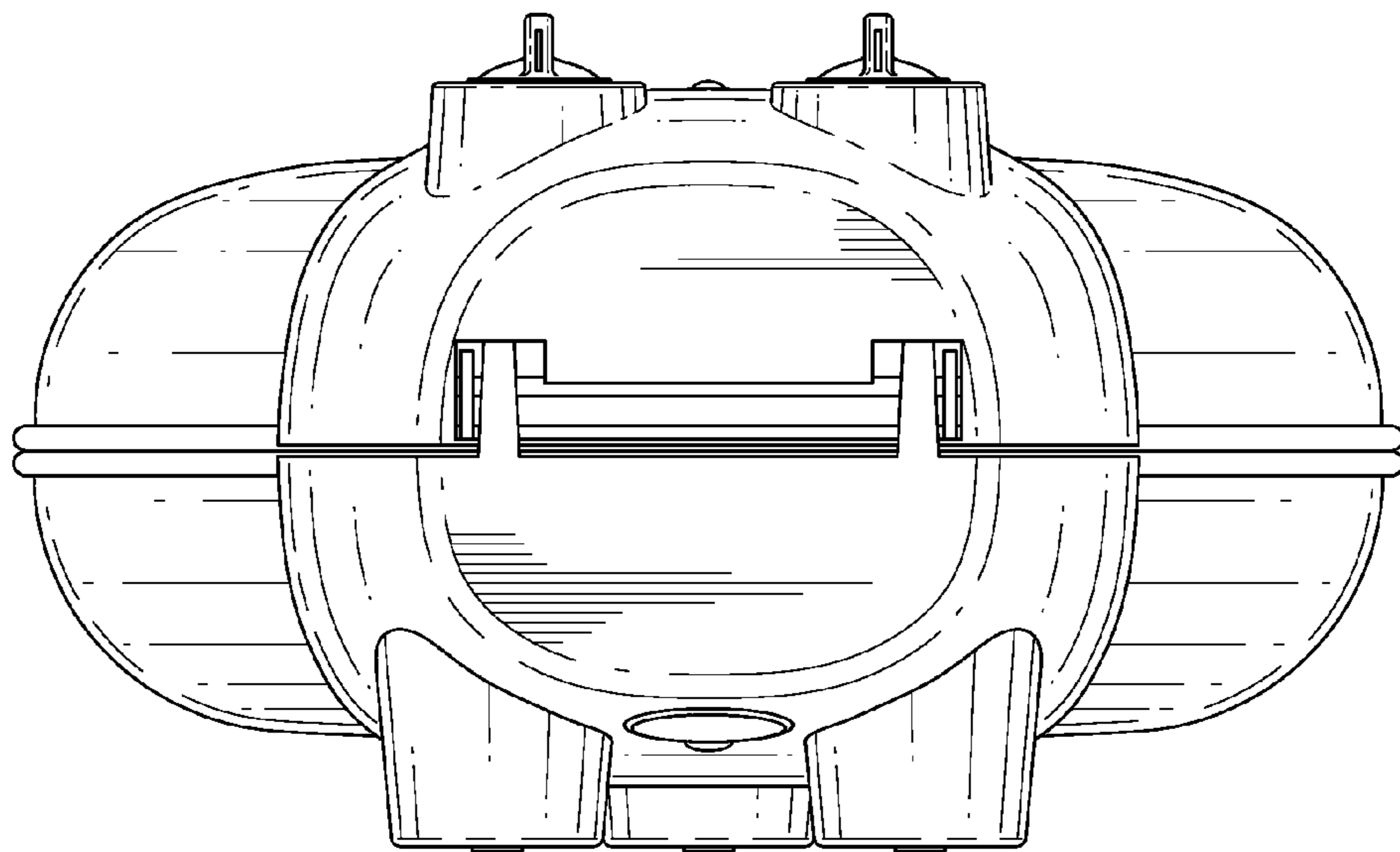


FIG.3

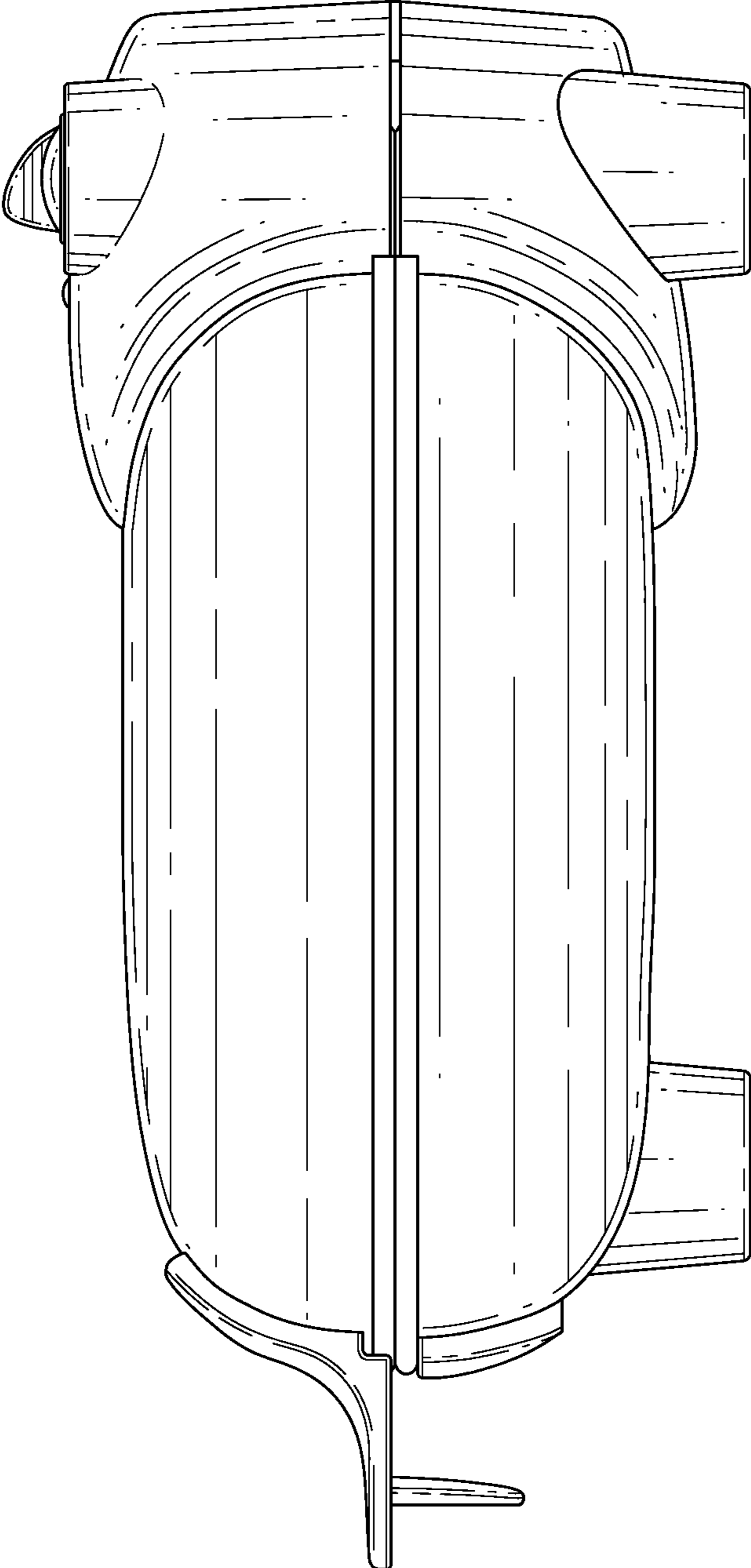


FIG.4

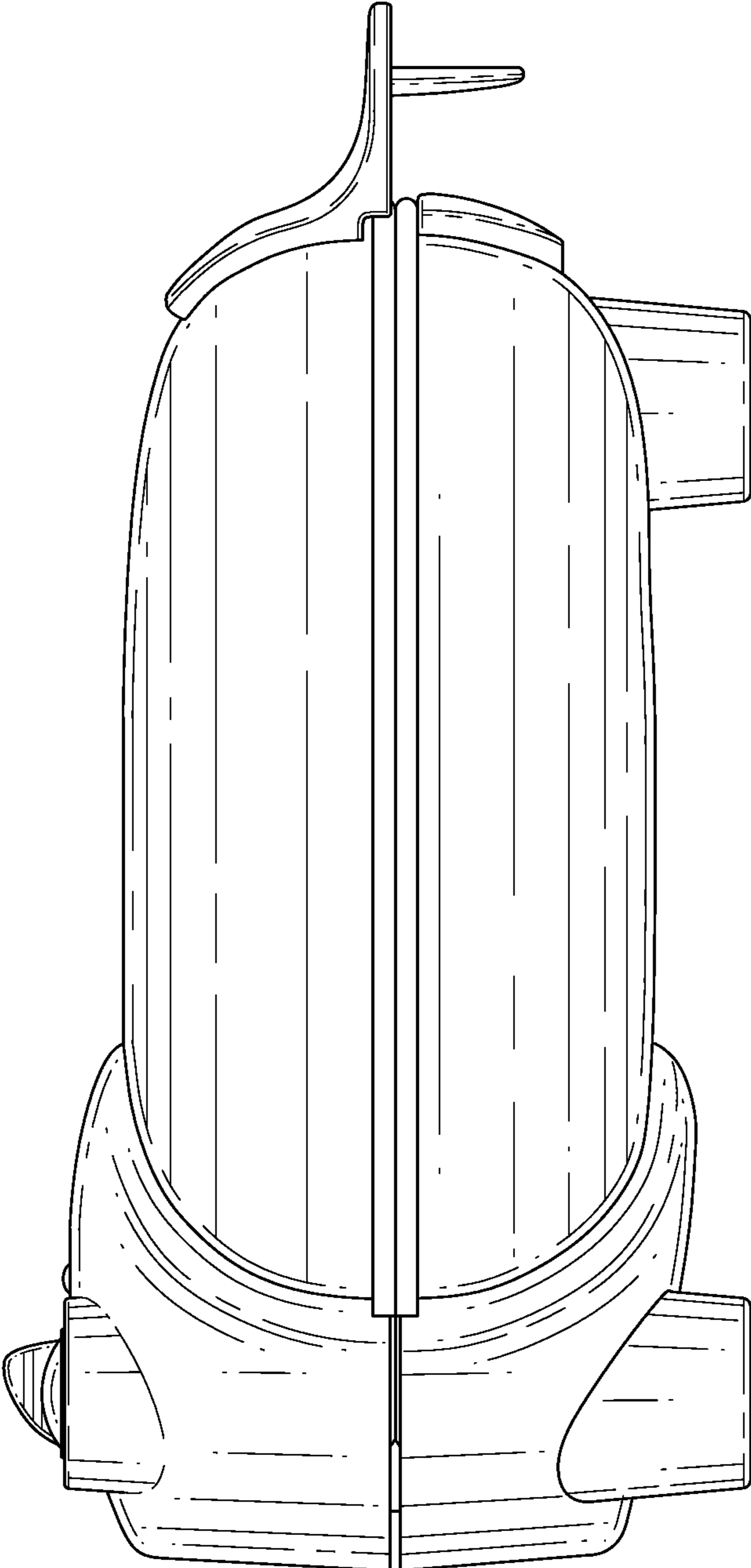


FIG. 5

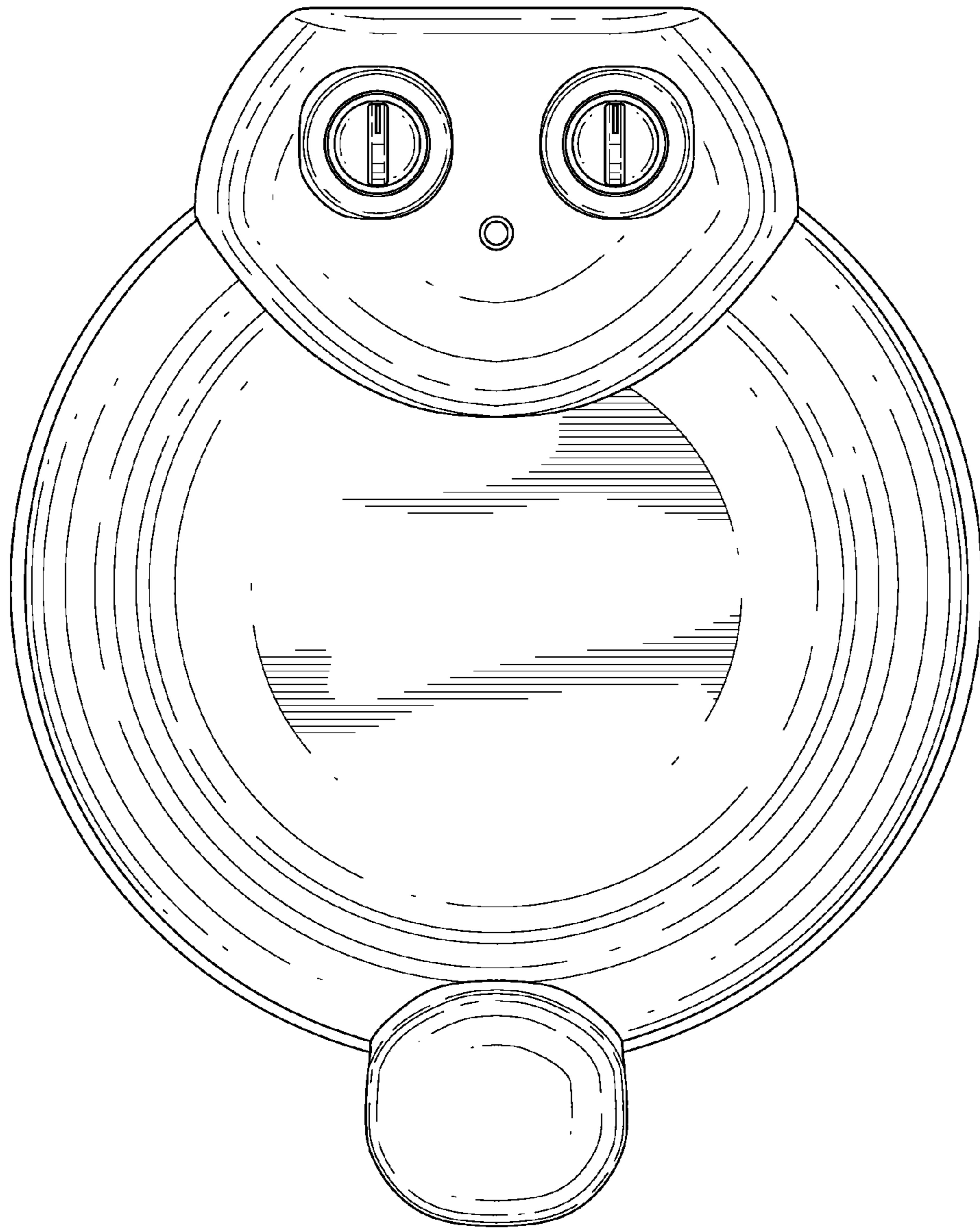


FIG. 6

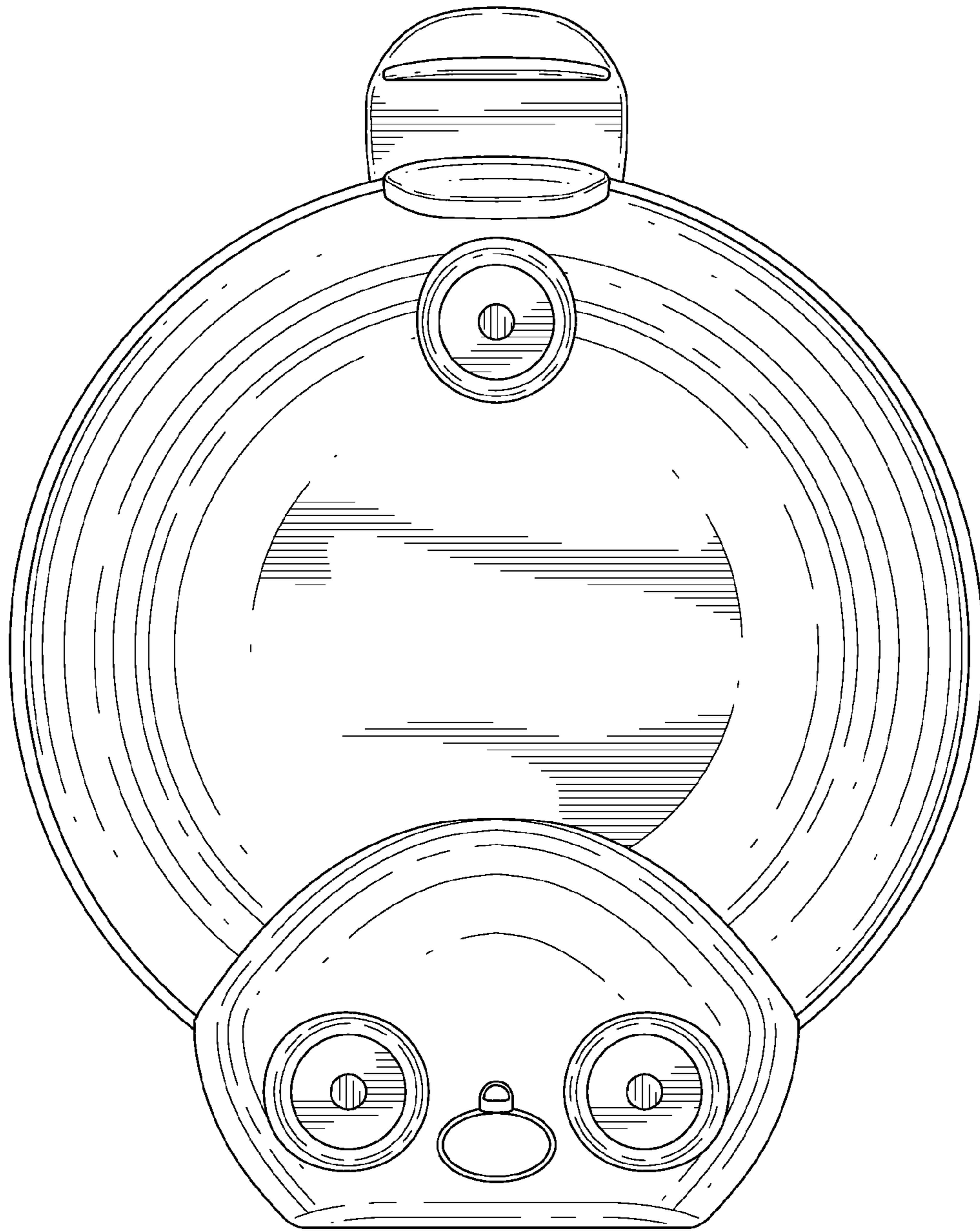


FIG. 7