



US00D697363S

(12) **United States Design Patent**  
**Tu**

(10) **Patent No.:** **US D697,363 S**

(45) **Date of Patent:** **\*\* Jan. 14, 2014**

(54) **COOKER**

(71) Applicant: **Euro-Pro Operating LLC**, Newton, MA (US)

(72) Inventor: **Joyce Chien Tu**, Brighton, MA (US)

(73) Assignee: **Euro-Pro Operating LLC**, Newton, MA (US)

(\*\*) Term: **14 Years**

(21) Appl. No.: **29/449,358**

(22) Filed: **Mar. 15, 2013**

(51) **LOC (10) Cl.** ..... **07-02**

(52) **U.S. Cl.**  
USPC ..... **D7/357; D7/354**

(58) **Field of Classification Search**  
USPC ..... D7/323, 329–332, 337–339, 346–347, D7/350.1–350.4, 353–367, 391–395, D7/402–406, 538, 542–543, 665; 99/324–327, 330–343, 369, 366, 99/400–418, 422, 425, 444, 483; 126/37 R, 126/41 R, 261, 378.1; 177/144; 219/386–387, 400, 405, 429–442, 219/452.11, 521–525, 620–624, 725, 219/730–735; 220/23.88, 314–315, 485, 220/573.1–573.5, 592.16, 912; 426/438, 426/441, 523

See application file for complete search history.

(56) **References Cited**

U.S. PATENT DOCUMENTS

D433,869 S *	11/2000	Wong et al. ....	D7/360
D434,940 S *	12/2000	Hlava et al. ....	D7/354
D537,670 S *	3/2007	Genslak et al. ....	D7/354
D556,504 S *	12/2007	Averty .....	D7/360
D590,654 S *	4/2009	Perkins et al. ....	D7/354
D628,849 S *	12/2010	Tetreault et al. ....	D7/357
D635,818 S *	4/2011	Tse .....	D7/357
D641,202 S *	7/2011	Bock et al. ....	D7/357
D644,476 S *	9/2011	Gregory et al. ....	D7/354
D646,114 S *	10/2011	Wong .....	D7/357
D657,993 S *	4/2012	Pantaleo .....	D7/357
D682,009 S *	5/2013	Day et al. ....	D7/354
2004/0079747 A1 *	4/2004	Wang .....	219/438

\* cited by examiner

*Primary Examiner* — Ricky Pham

(74) *Attorney, Agent, or Firm* — Iandiorio Teska & Coleman, LLP

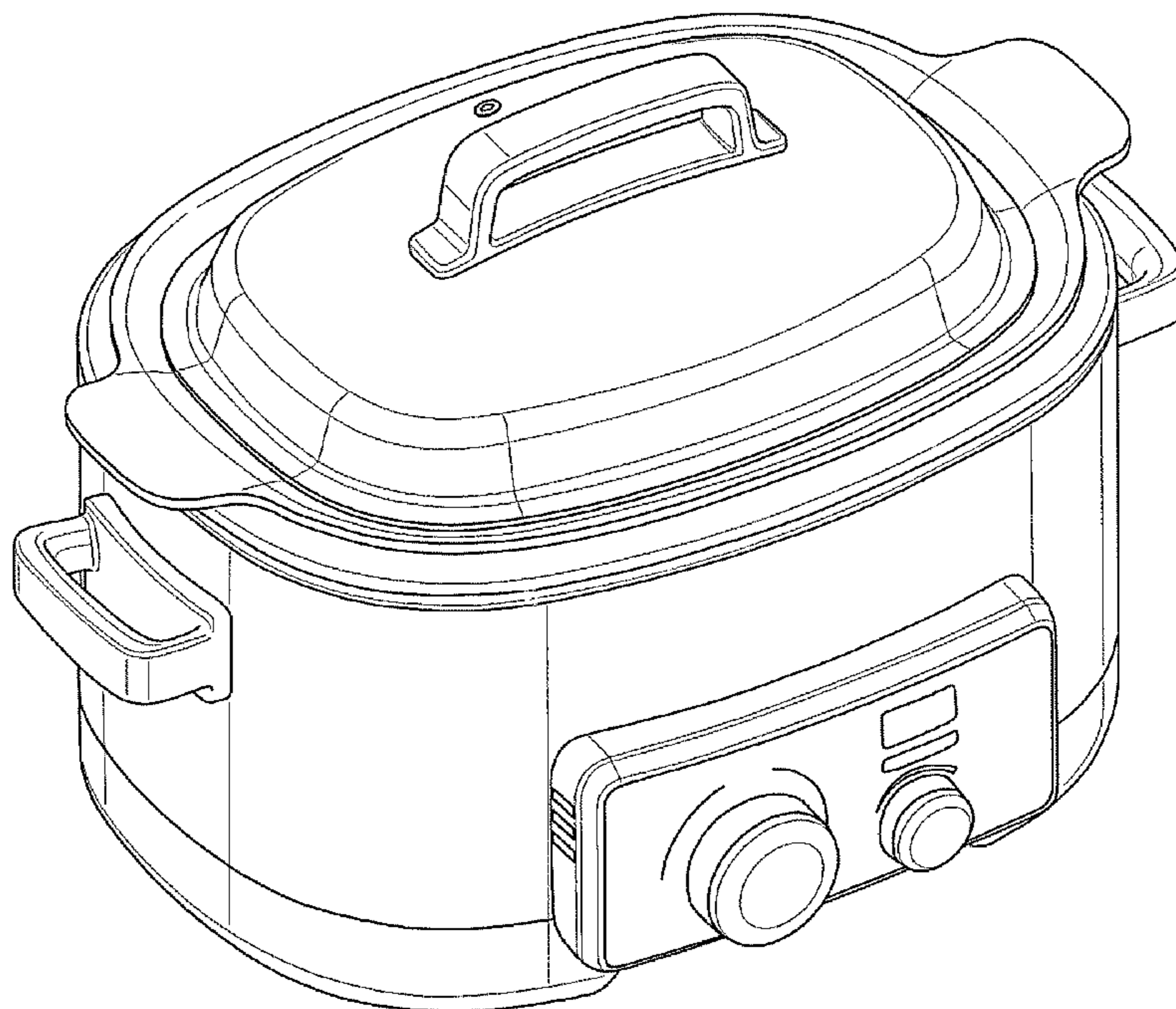
(57) **CLAIM**

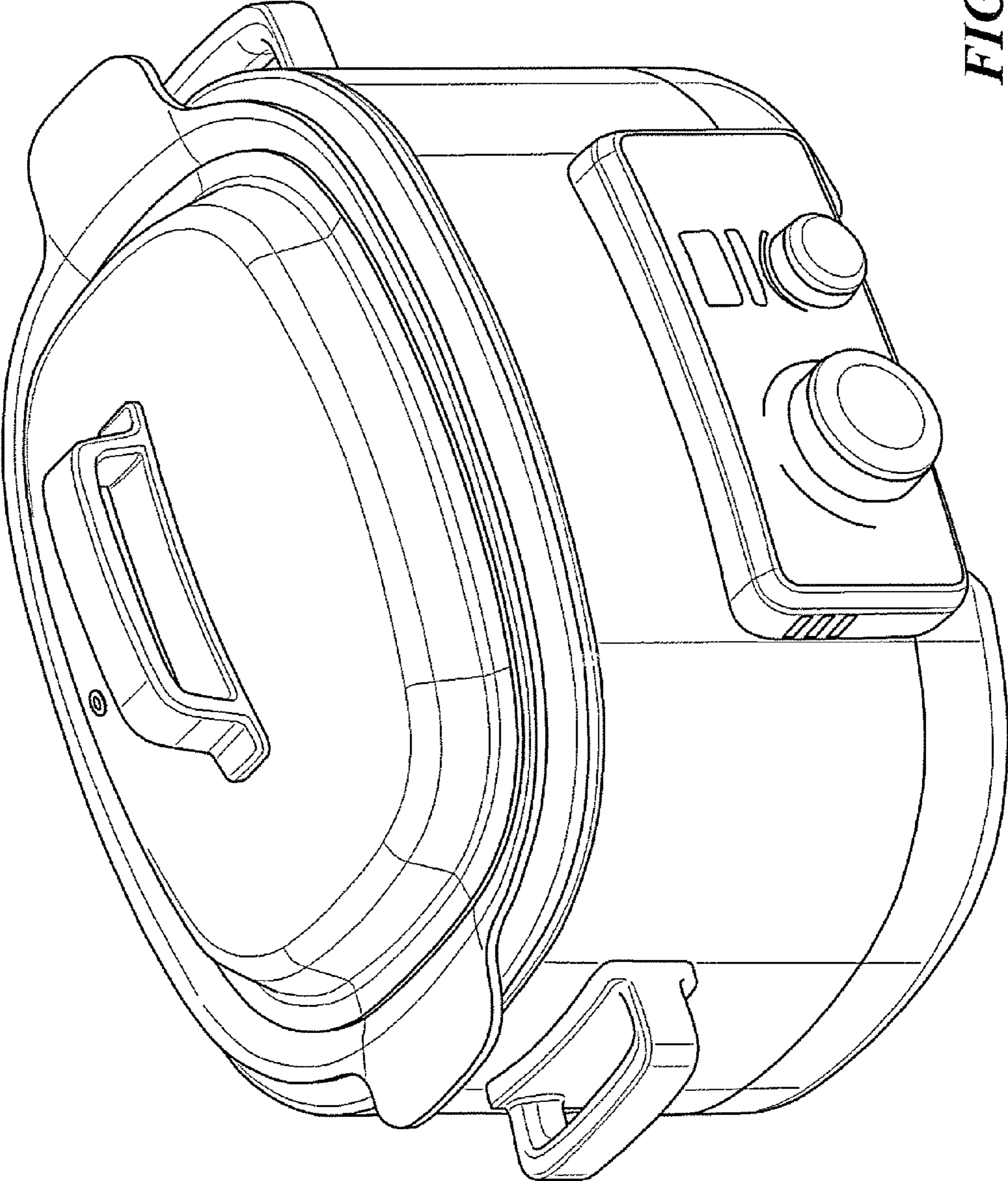
The ornamental design for the cooker, as shown and described.

**DESCRIPTION**

FIG. 1 is a three dimensional perspective view of the cooker; FIG. 2 is a front view of the cooker; FIG. 3 is a rear view of the cooker; FIG. 4 is a view of the left hand side of the cooker; FIG. 5 is a view of the right hand side of the cooker; FIG. 6 is a top view of the cooker; and, FIG. 7 is a bottom view of the cooker.

**1 Claim, 7 Drawing Sheets**





*FIG. 1*

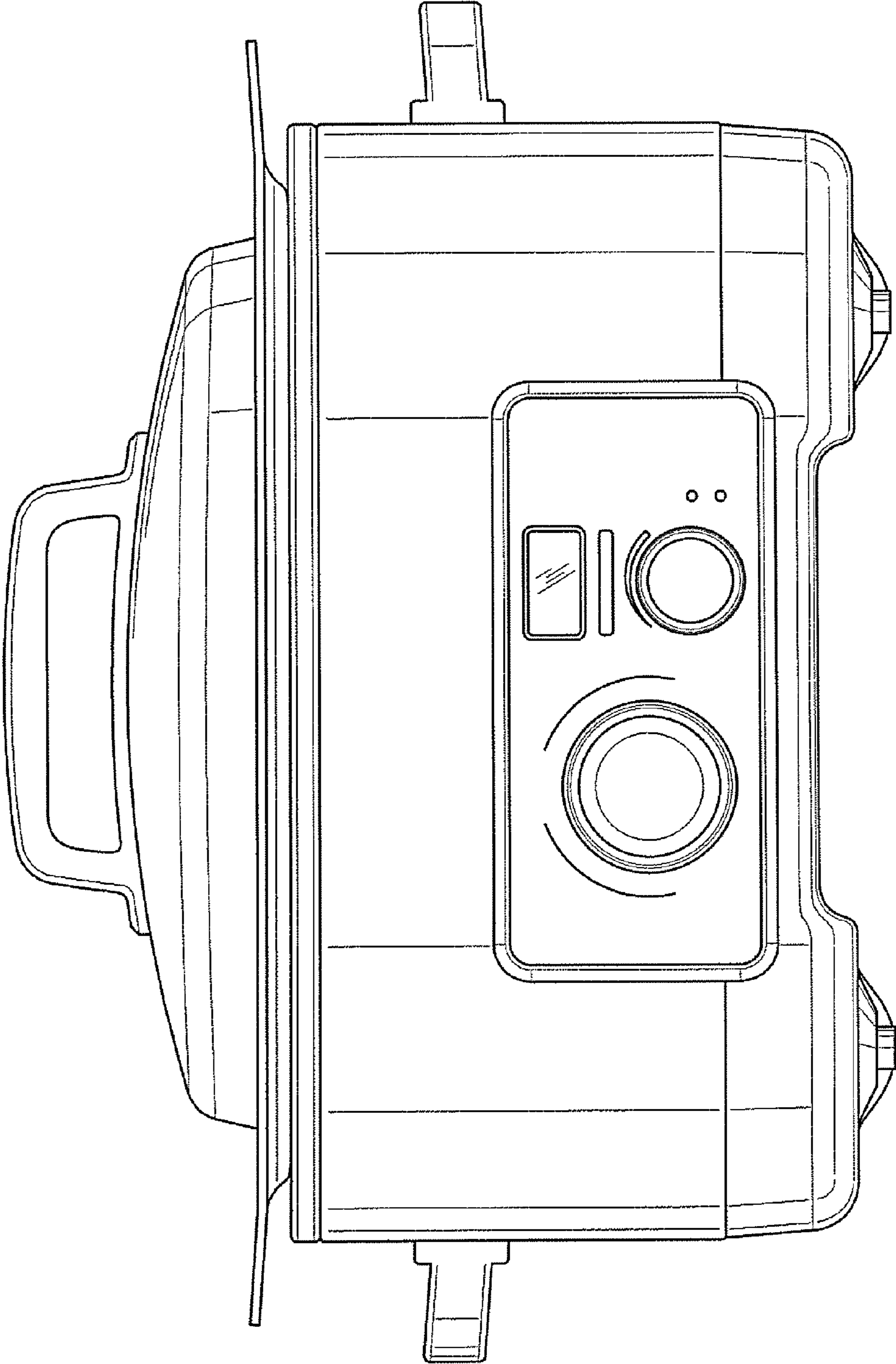
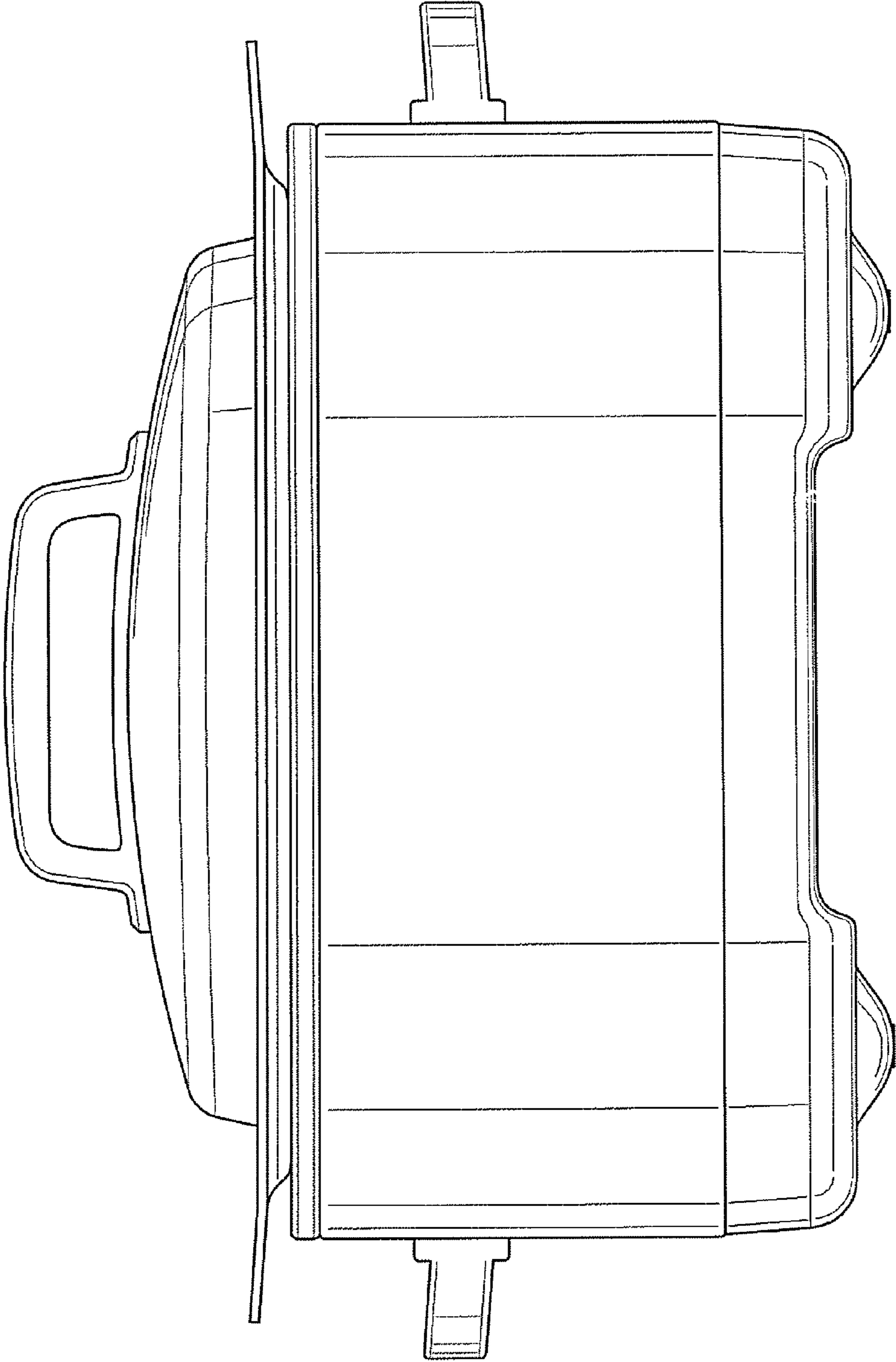
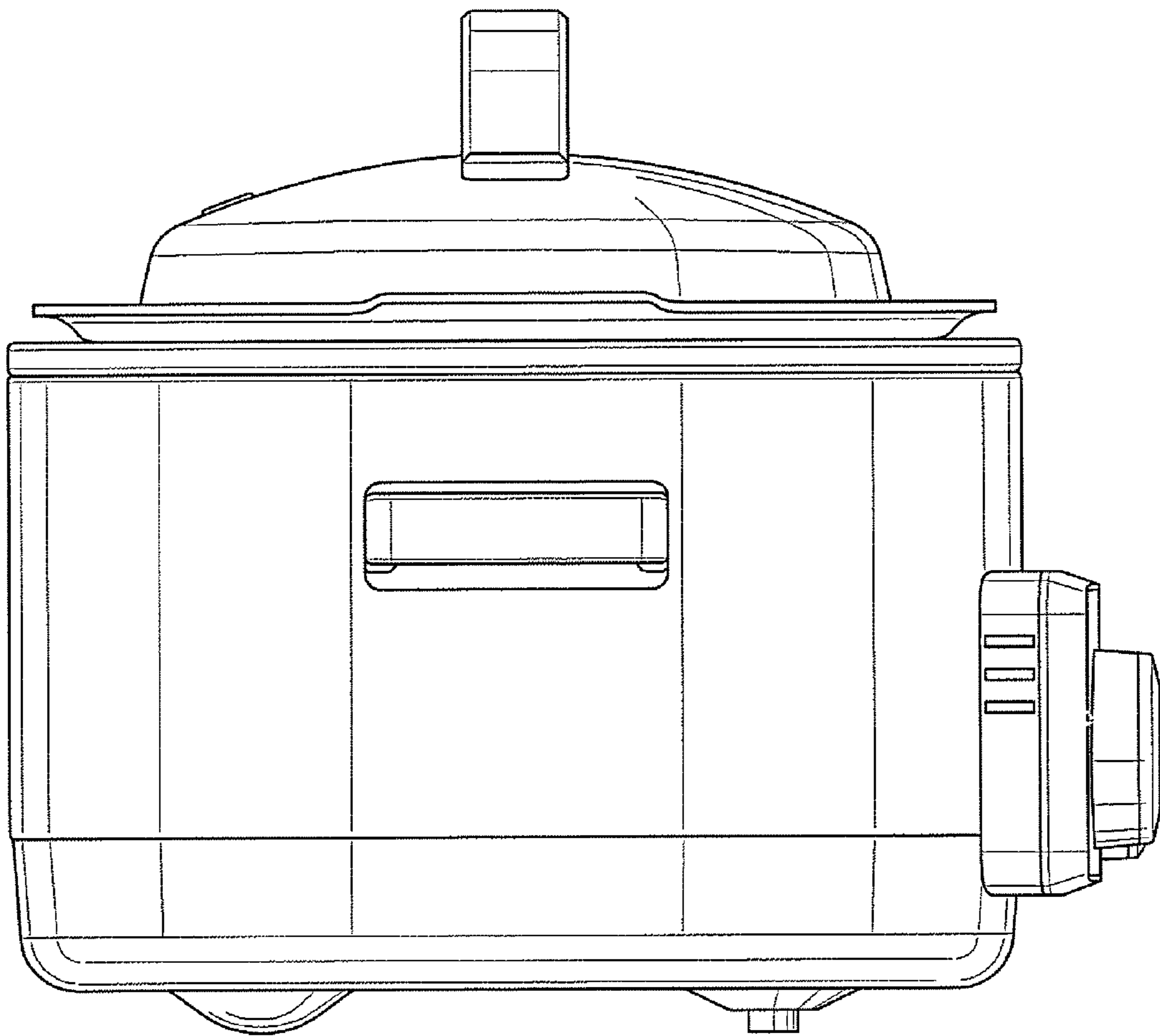


FIG. 2

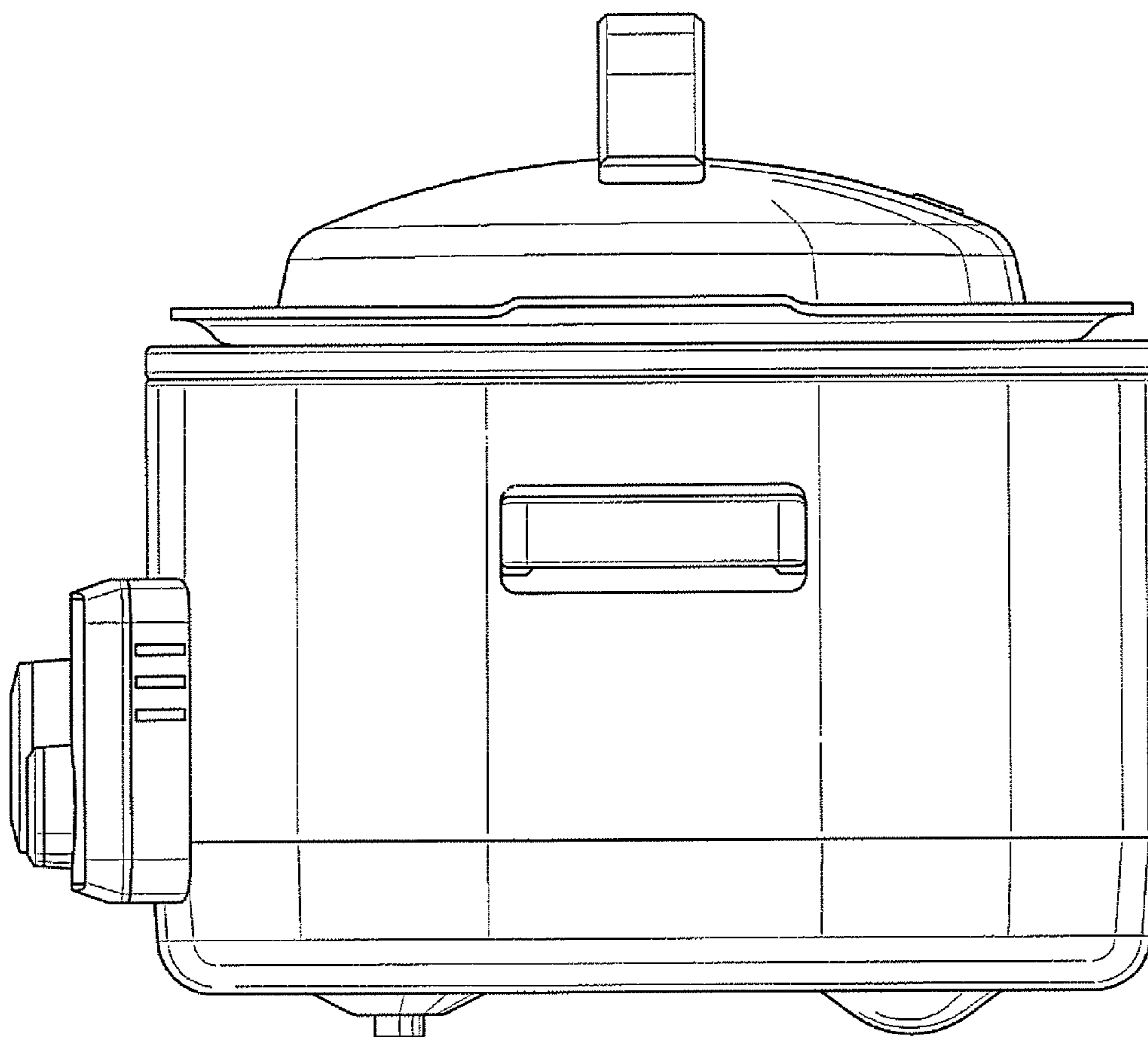




**FIG. 3**



*FIG. 4*



**FIG. 5**

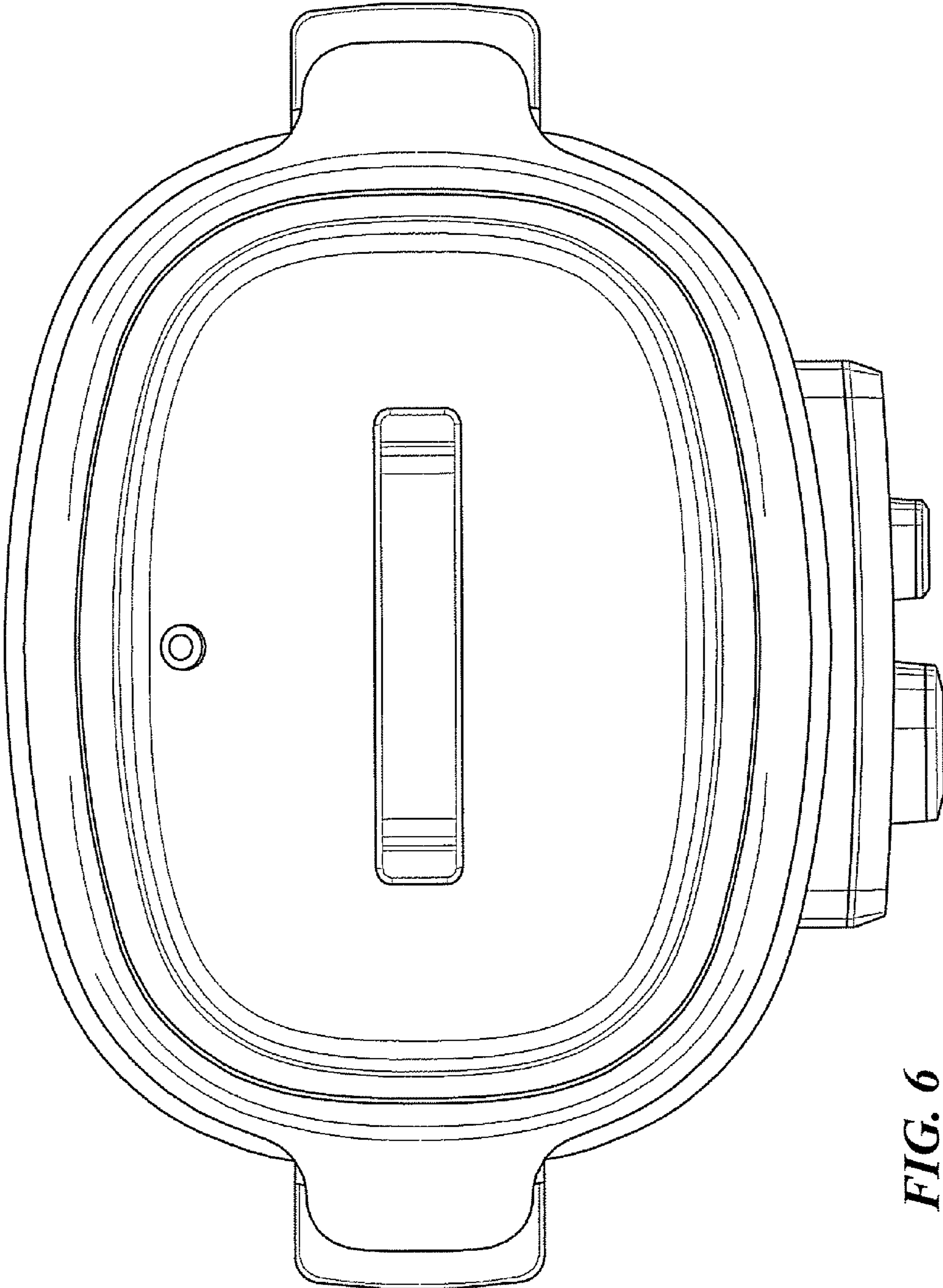
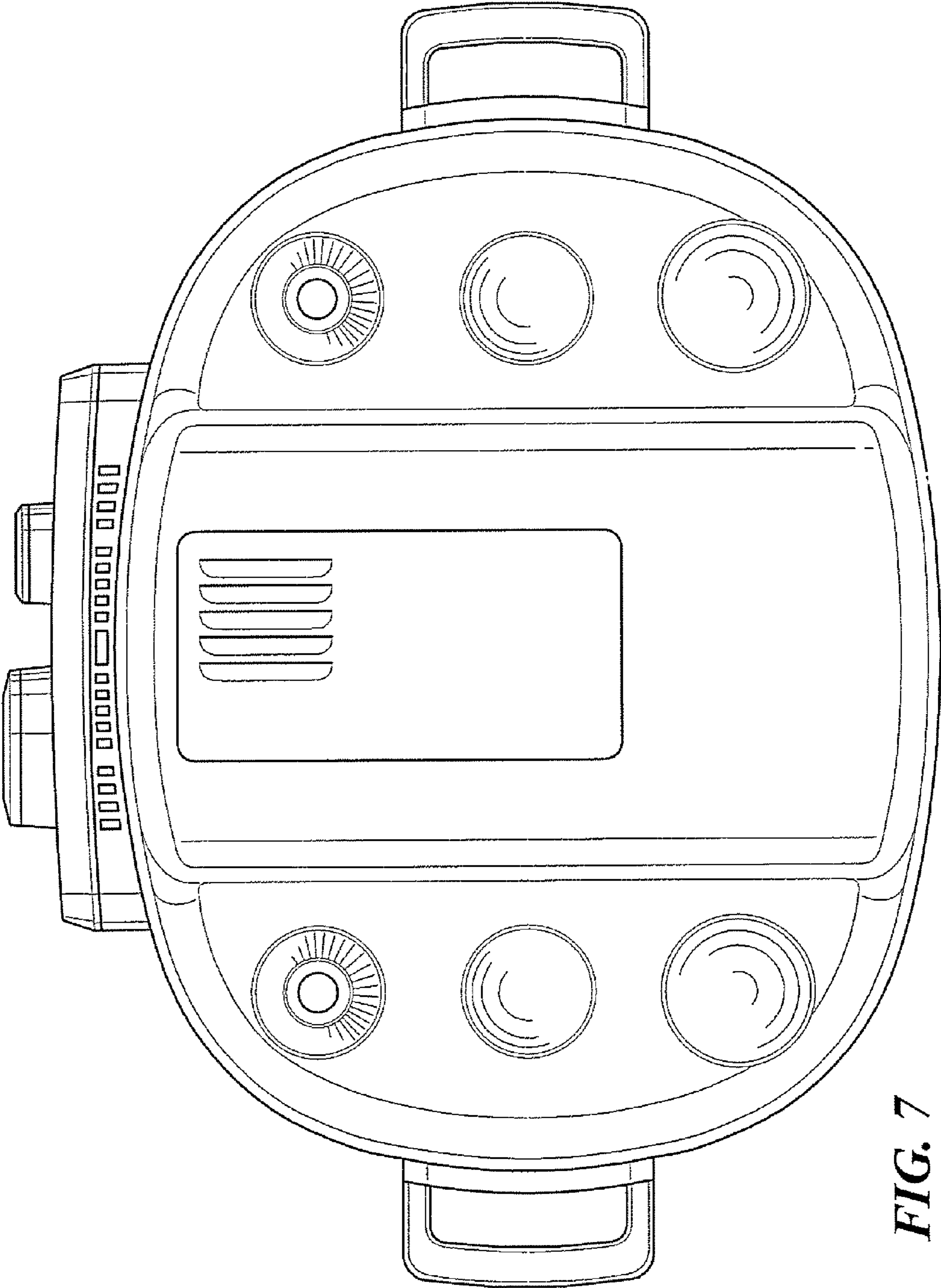


FIG. 6



**FIG. 7**