

US00D697361S

(12) **United States Design Patent**  
**Kim**

(10) **Patent No.:** **US D697,361 S**  
(45) **Date of Patent:** **\*\* Jan. 14, 2014**

(54) **ELECTRIC FERMENTOR**

(71) Applicant: **Sewon Kim**, Busan (KR)

(72) Inventor: **Sewon Kim**, Busan (KR)

(\*\*) Term: **14 Years**

(21) Appl. No.: **29/450,913**

(22) Filed: **Mar. 26, 2013**

(51) **LOC (10) Cl.** ..... **07-02**

(52) **U.S. Cl.**  
USPC ..... **D7/354**

(58) **Field of Classification Search**

USPC ..... D7/307, 323, 329-332, 339, 346-347,  
D7/350.1-350.4, 353-367, 391, 393, 395,  
D7/402, 406, 409, 538, 542, 629;  
99/324-325, 331-332, 337-343, 369,  
99/400-418, 422, 425, 444, 451, 483;  
126/37 R, 261, 374.1, 378.1;  
206/501-505, 507-508; 219/400, 405,  
219/429-442, 620-624, 725, 730-735;  
220/203.05, 203.07, 203.09, 298,  
220/315-316, 573.1-573.5, 792, 912;  
426/438, 441

See application file for complete search history.

(56) **References Cited**

**U.S. PATENT DOCUMENTS**

D202,062 S \* 8/1965 Yamazaki ..... D7/360  
4,471,880 A \* 9/1984 Taylor et al. .... 220/792  
D537,300 S \* 2/2007 Kim ..... D7/629

D554,936 S \* 11/2007 Kim ..... D7/357  
D575,114 S \* 8/2008 Moghavem ..... D7/629  
D577,549 S \* 9/2008 Plante et al. .... D7/542  
D625,149 S \* 10/2010 Stamper ..... D7/538  
D631,302 S \* 1/2011 Sperrazza ..... D7/629  
D634,583 S \* 3/2011 Bernardaud ..... D7/542  
D663,569 S \* 7/2012 Seehoff et al. .... D7/354  
D667,273 S \* 9/2012 Henry ..... D7/542  
D671,367 S \* 11/2012 Shah ..... D7/542  
D683,179 S \* 5/2013 Coursey et al. .... D7/360

**FOREIGN PATENT DOCUMENTS**

KR 300399313 11/2005  
KR 300460280 8/2007

\* cited by examiner

*Primary Examiner* — Ricky Pham

(74) *Attorney, Agent, or Firm* — Thomas R. FitzGerald,  
Esq.; Peter J. Mikesell; Hiscock & Barclay, LLP

(57) **CLAIM**

The ornamental design for the electric fermentor, as shown  
and described.

**DESCRIPTION**

FIG. 1 is a perspective view of the electric fermentor accord-  
ing to the invention;

FIG. 2 is a front elevation view thereof;

FIG. 3 is a rear elevation view thereof;

FIG. 4 is a left side elevation view thereof;

FIG. 5 is a right side elevation view thereof;

FIG. 6 is a top plan view thereof; and,

FIG. 7 is a bottom plan view thereof.

**1 Claim, 5 Drawing Sheets**

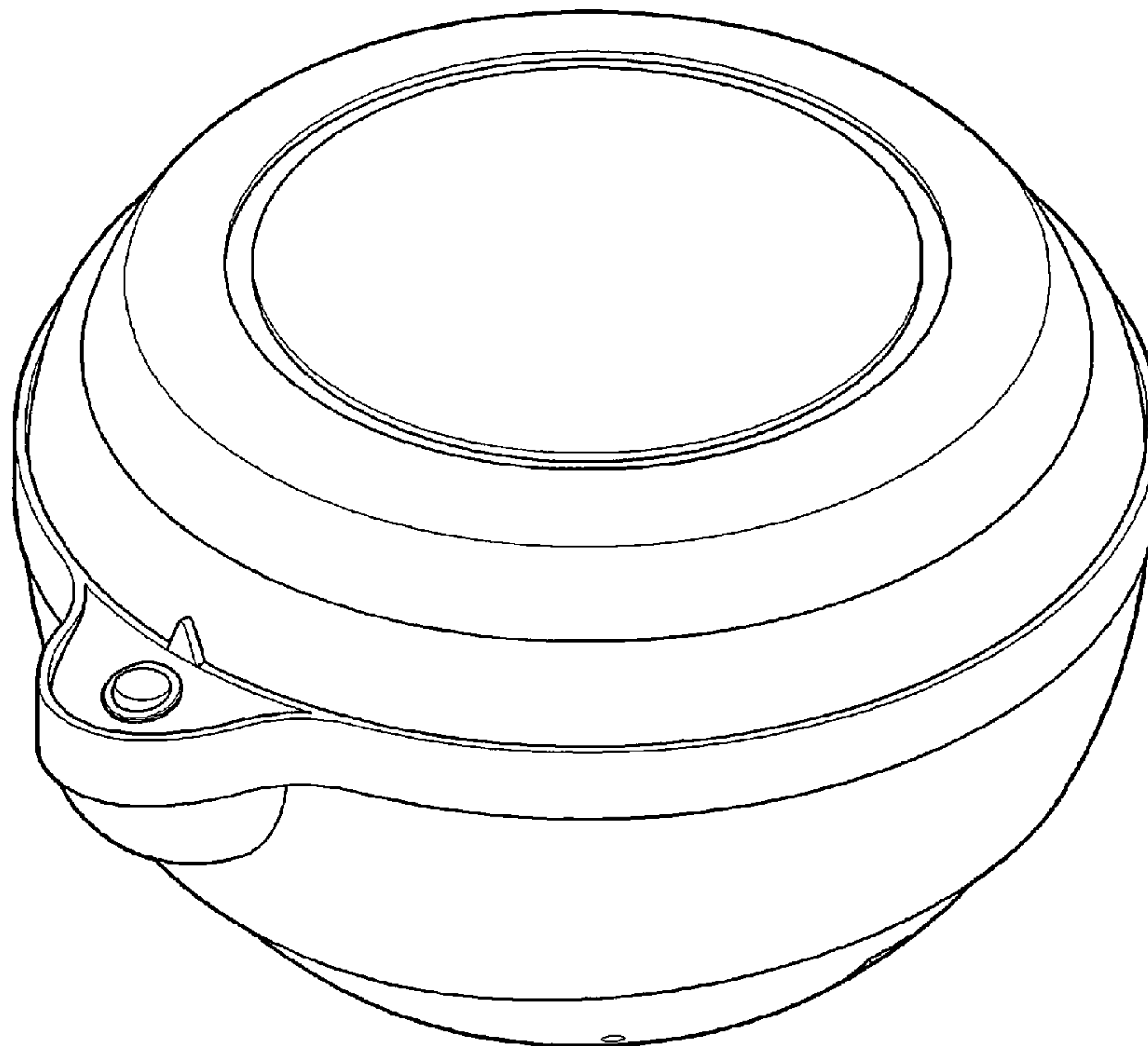


FIG. 1

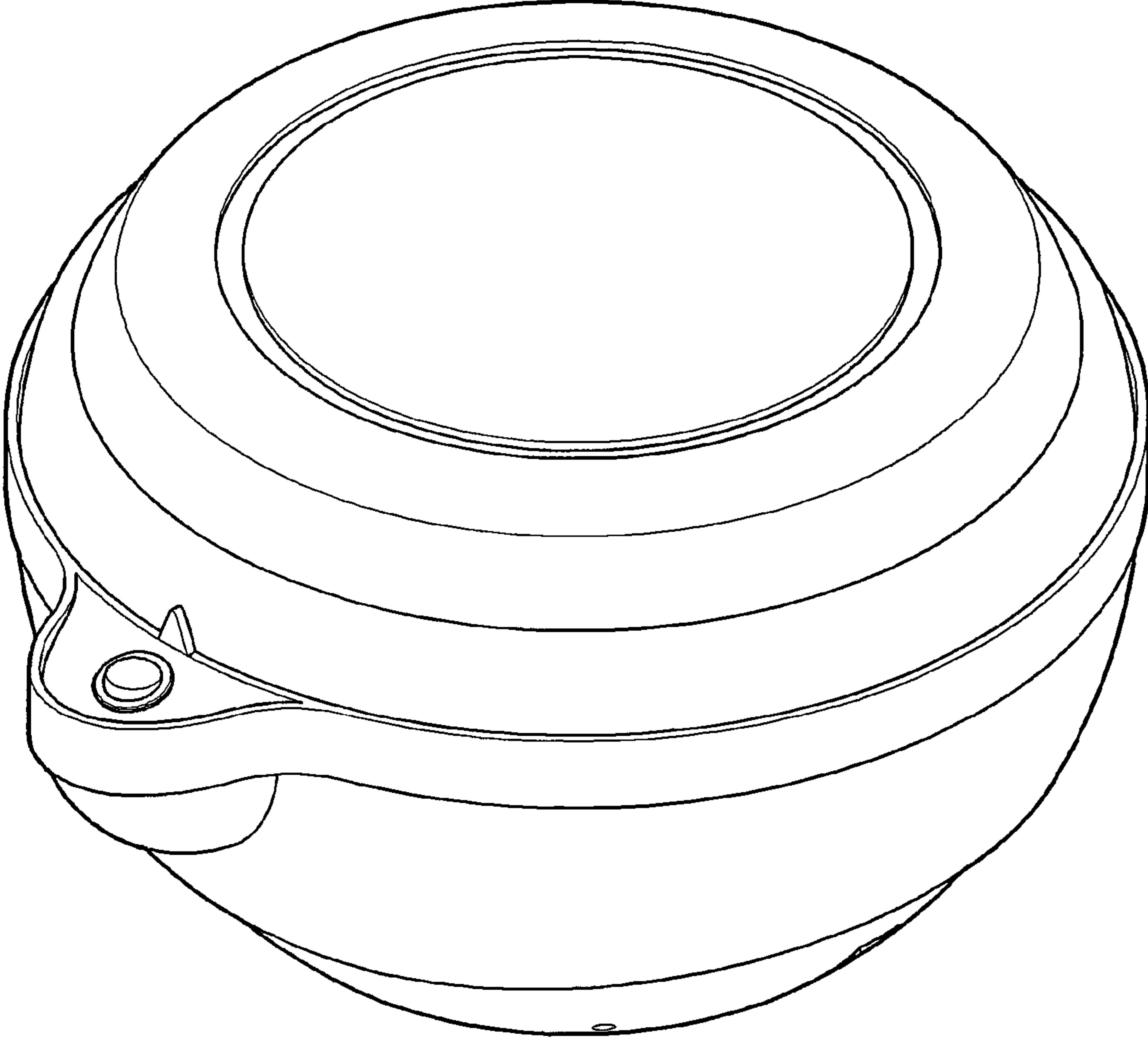


FIG. 2

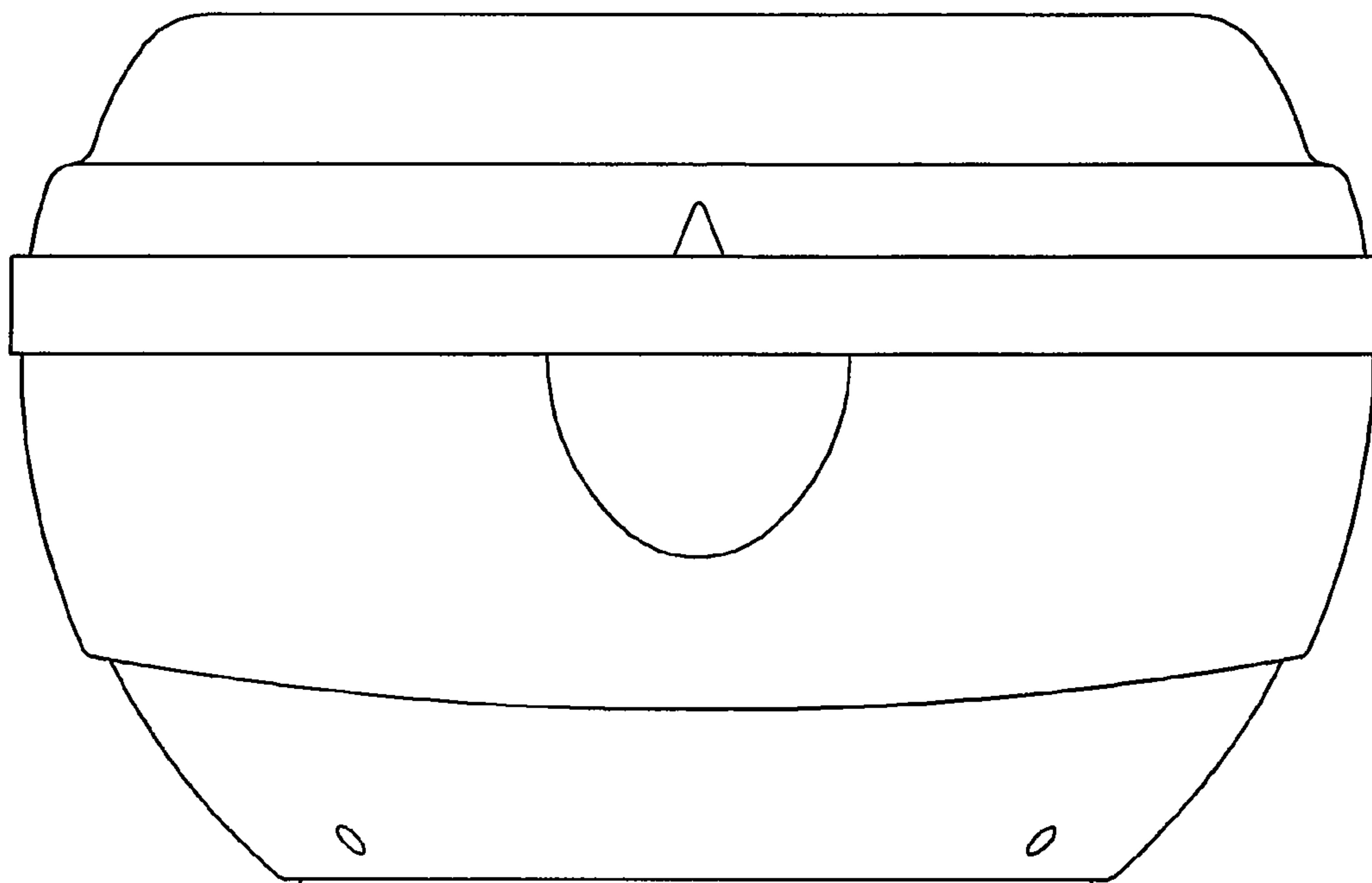


FIG. 3

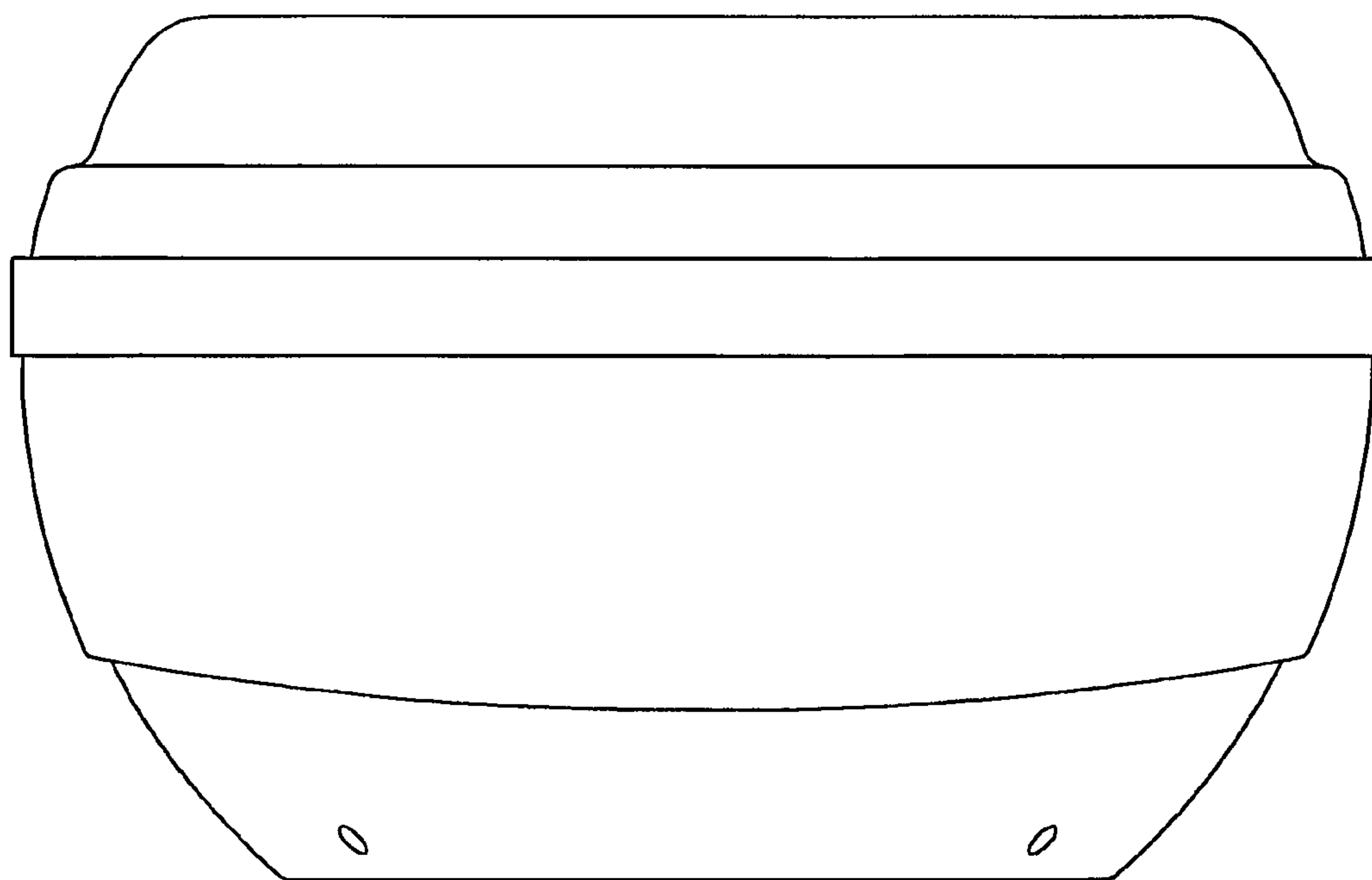


FIG. 4

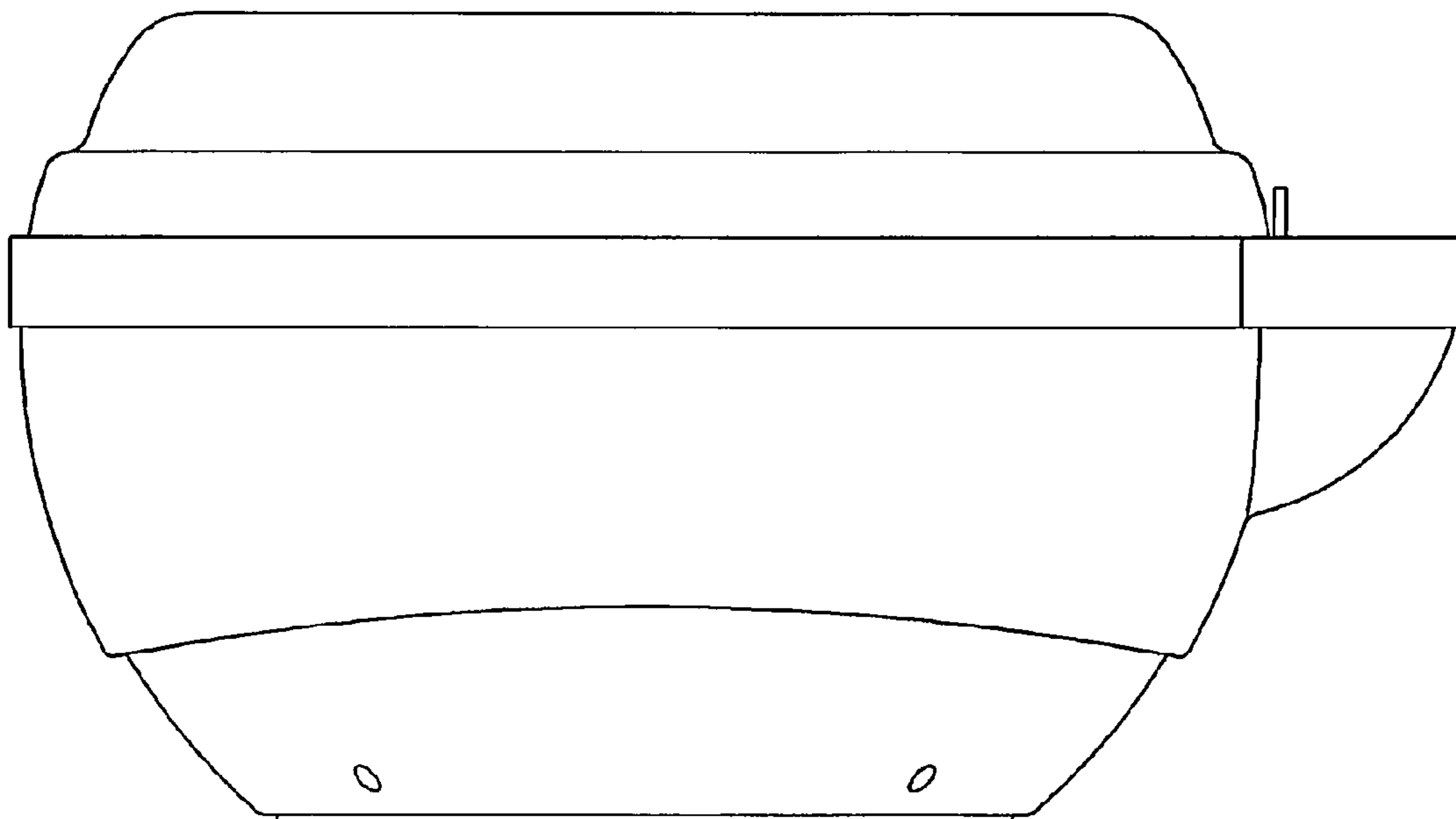


FIG. 5

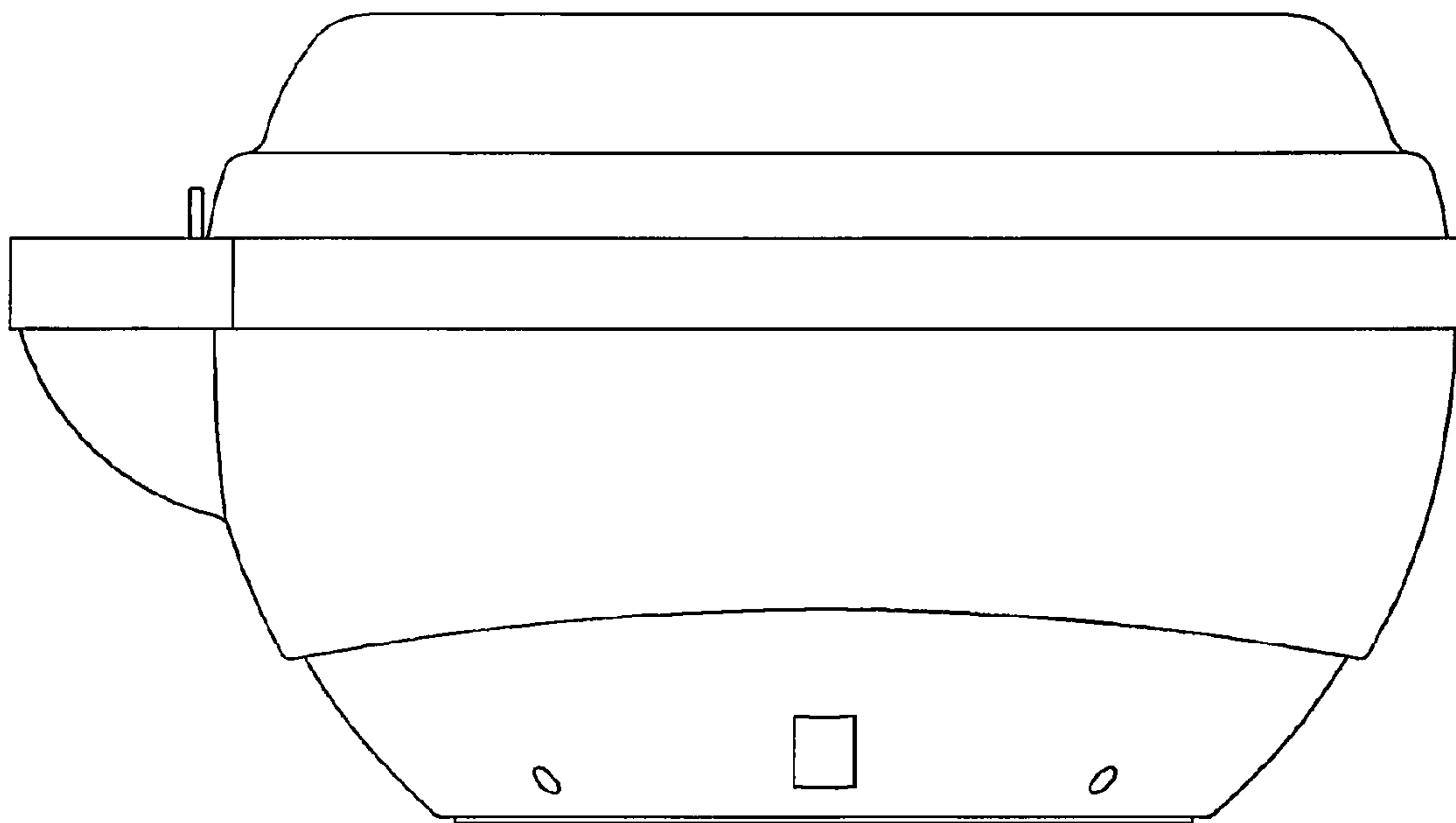


FIG. 6

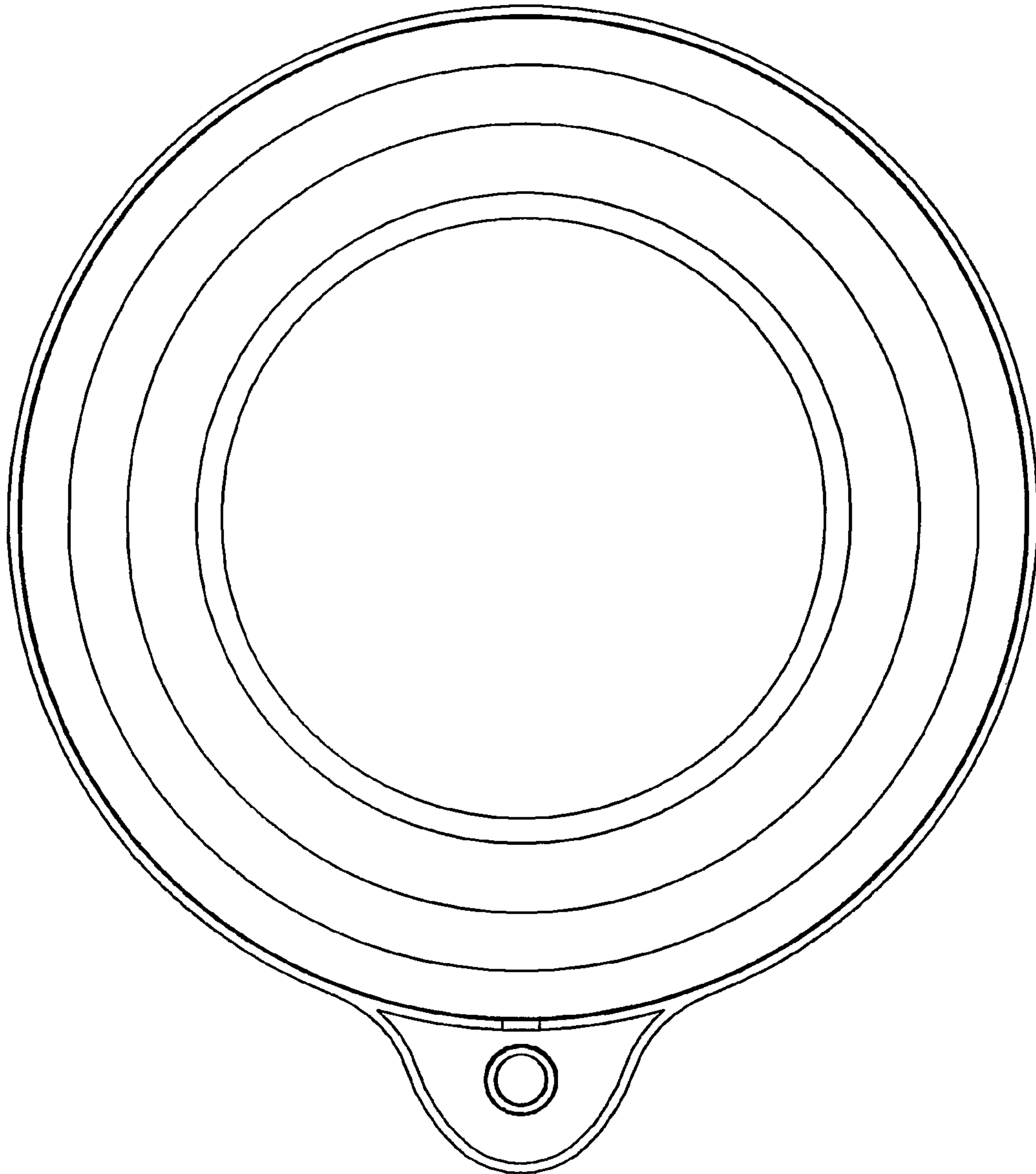


FIG. 7

