

US00D697360S

(12) **United States Design Patent**
Josancy

(10) **Patent No.:** **US D697,360 S**
(45) **Date of Patent:** **** Jan. 14, 2014**

(54) **ELECTRIC GRILL**

(56) **References Cited**

(71) Applicant: **Luc Josancy**, Sainte Colombe (FR)

U.S. PATENT DOCUMENTS

(72) Inventor: **Luc Josancy**, Sainte Colombe (FR)

D509,703	S	*	9/2005	Barker	D7/352
D527,941	S	*	9/2006	Serra	D7/352
D528,350	S	*	9/2006	McHutchison	D7/352
D546,619	S	*	7/2007	McHutchison	D7/352
D622,538	S	*	8/2010	Hoare et al.	D7/352
D632,127	S	*	2/2011	Whitcombe	D7/352
D634,969	S	*	3/2011	De' Longhi	D7/352
7,963,215	B2	*	6/2011	Ho et al.	99/377
D644,477	S	*	9/2011	Burton et al.	D7/362
8,156,860	B2	*	4/2012	Liu et al.	99/372
D670,530	S	*	11/2012	Huber et al.	D7/352
D679,129	S	*	4/2013	Cesaroni et al.	D7/352
2007/0017384	A1	*	1/2007	Serra	99/372

(73) Assignee: **Tefal**, Rumilly (FR)

(**) Term: **14 Years**

(21) Appl. No.: **29/432,699**

(22) Filed: **Sep. 19, 2012**

* cited by examiner

(30) **Foreign Application Priority Data**

Mar. 20, 2012 (EP) 001318679-0001

Primary Examiner — Ricky Pham

(51) **LOC (10) Cl.** **07-02**

(74) *Attorney, Agent, or Firm* — Loeb & Loeb LLP

(52) **U.S. Cl.**

(57) **CLAIM**

USPC **D7/352**; D7/362; D7/363

The ornamental design for an electric grill, as shown and described.

(58) **Field of Classification Search**

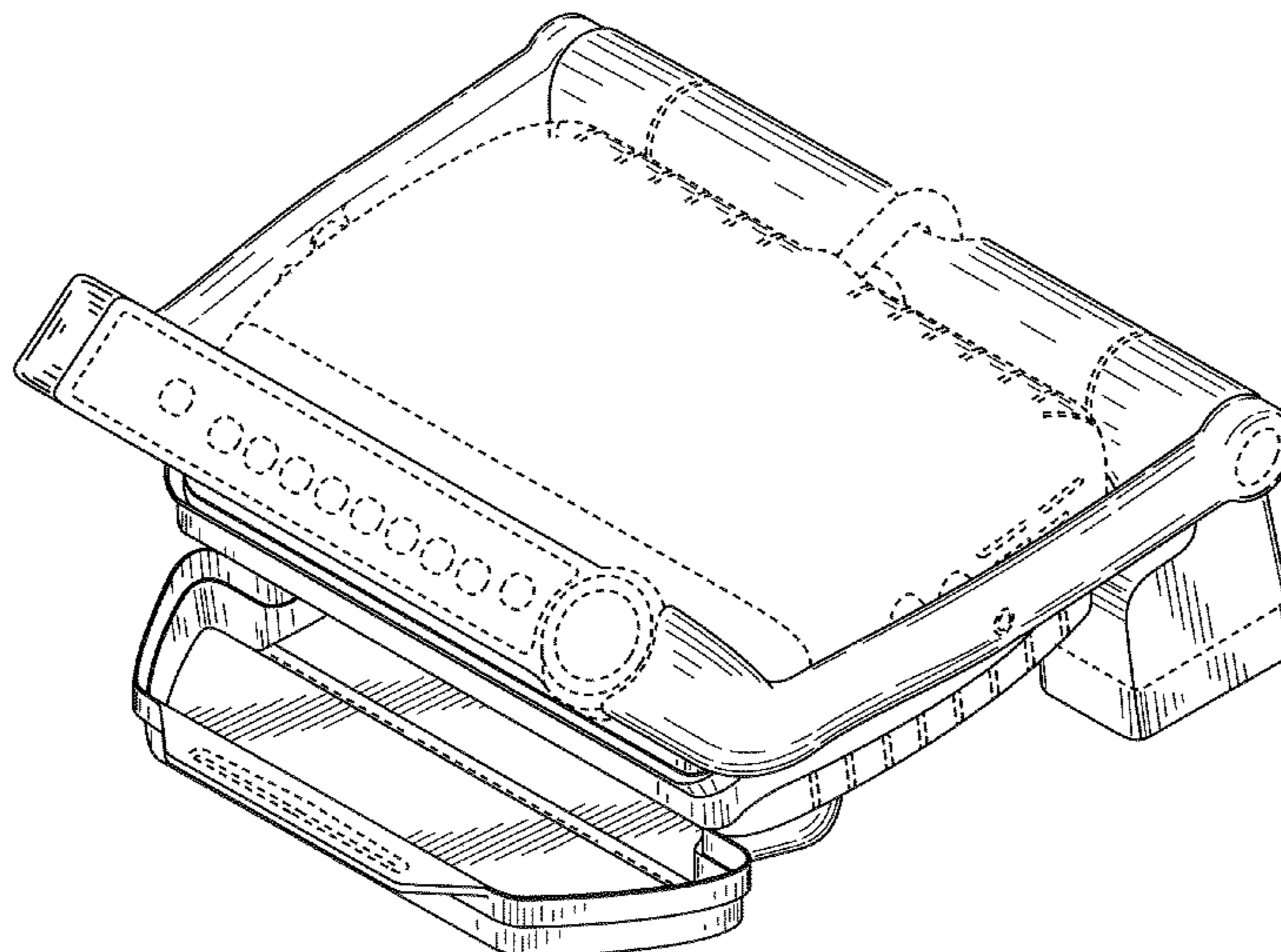
DESCRIPTION

USPC D7/323, 329–332, 337–339, 346–347, D7/350.1–350.4, 352–367, 391–395, D7/402–406, 538, 542–543, 665; 99/324–327, 330–343, 369, 366, 372, 99/377, 400–418, 422, 425, 444–446, 99/483; 126/37 R, 41 R, 261, 378.1; 219/386–387, 400, 405, 429–442, 219/452.11, 521–525, 620–624, 725, 219/730–735; 220/23.88, 314–315, 485, 220/573.1–573.5, 592.16, 912; 426/438, 426/441, 523

FIG. 1 is a front elevational view an embodiment of an electric grill.
 FIG. 2 is a back elevational view of the electric grill of FIG. 1.
 FIG. 3 is a left side elevational view of the electric grill of FIG. 1.
 FIG. 4 is a right side elevational view of the electric grill of FIG. 1.
 FIG. 5 is a top plan elevational view of the electric grill of FIG. 1.
 FIG. 6 is a bottom plan view of the electric grill of FIG. 1; and, FIG. 7 is a perspective view of the electric grill of FIG. 1.
 The broken lines appearing in the figures are for the purpose of illustrating the environmental structure of the article of the claimed design and form no part of the claimed design.

See application file for complete search history.

1 Claim, 7 Drawing Sheets



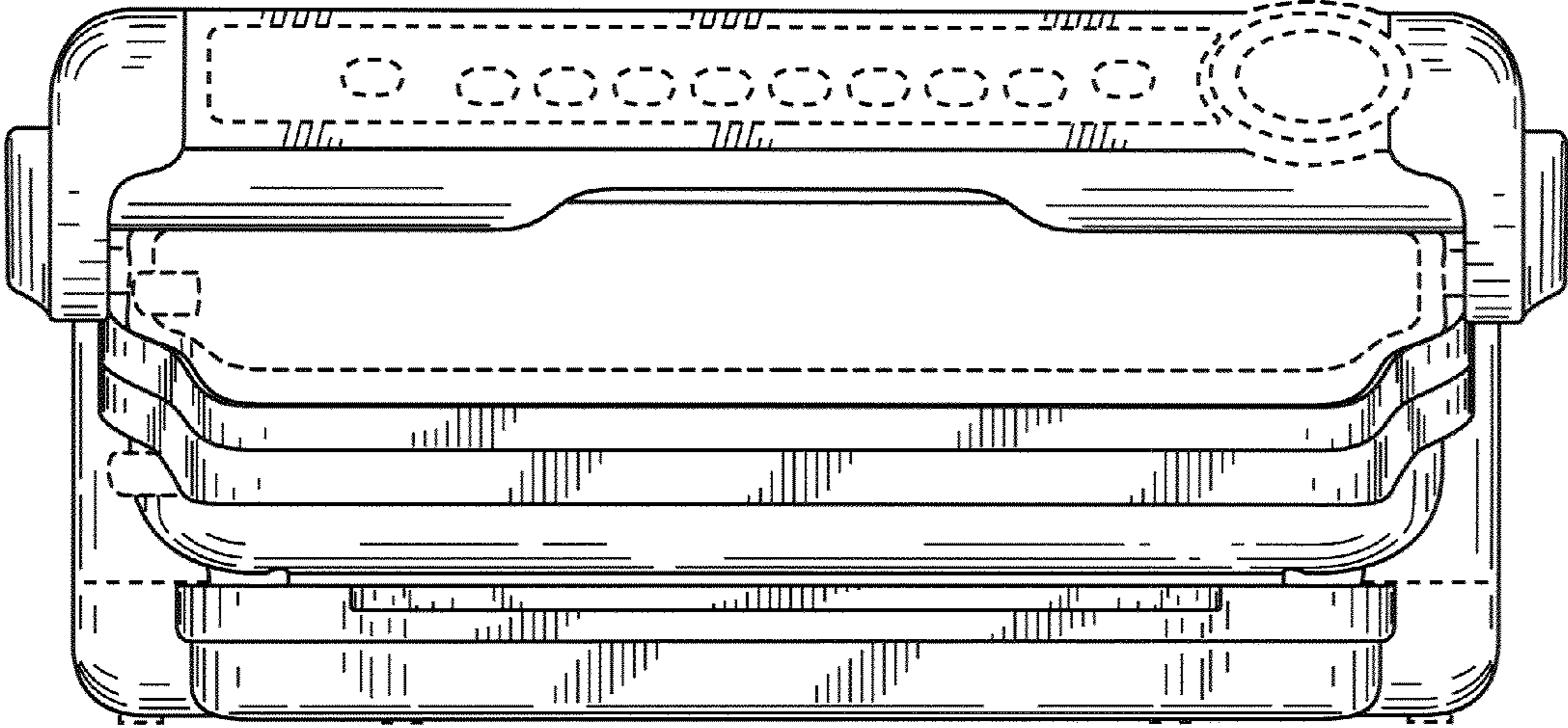


FIG. 1

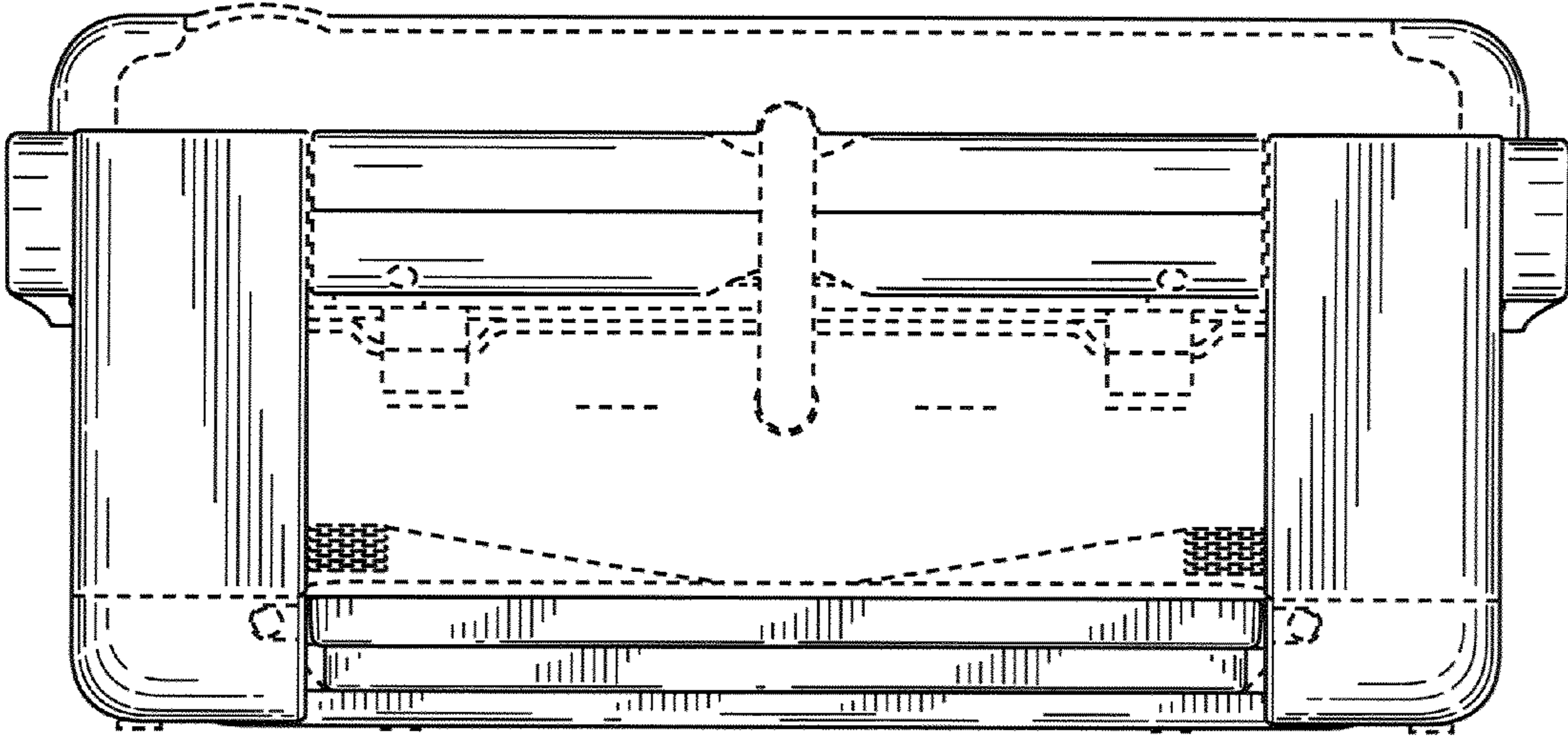


FIG. 2

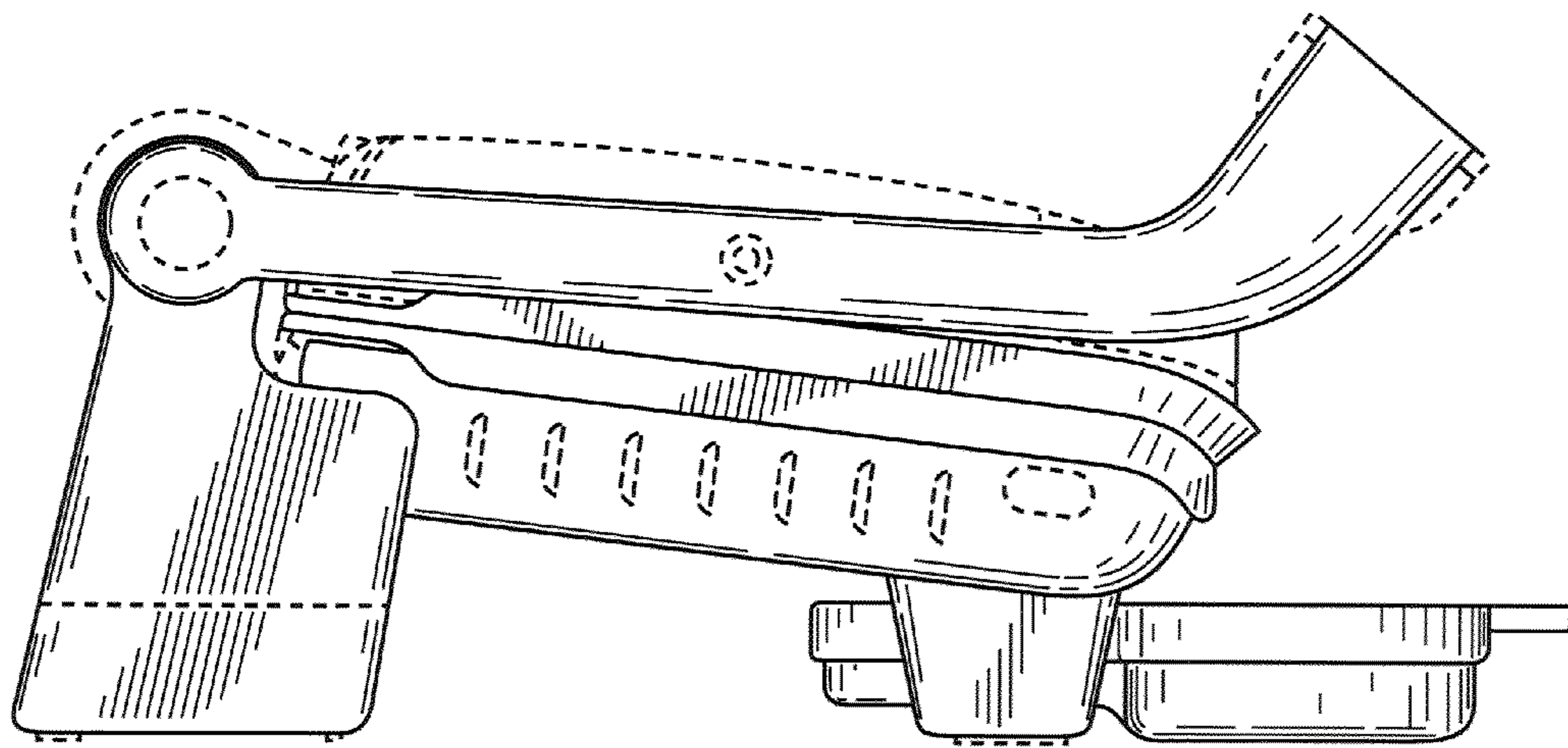


FIG. 3

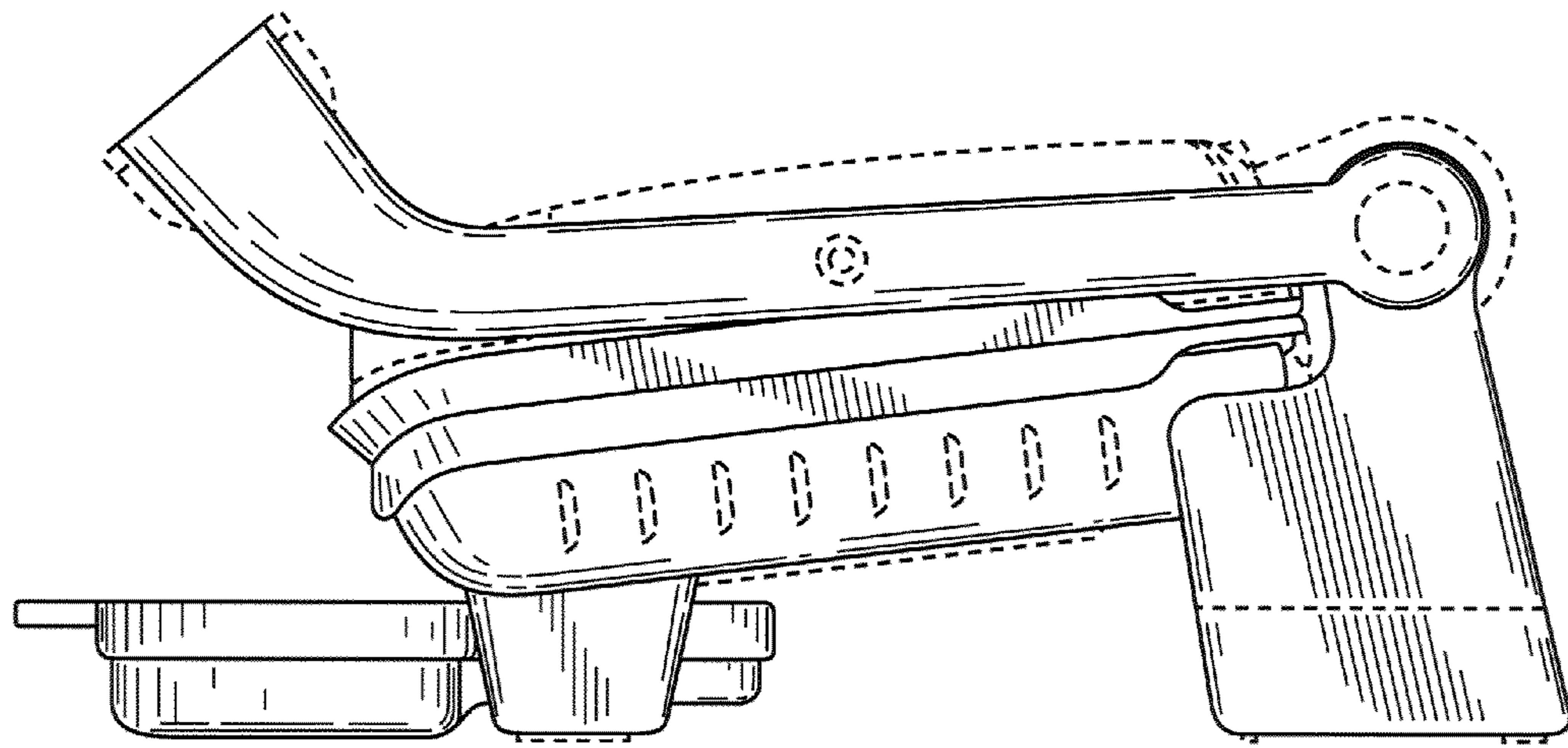


FIG. 4

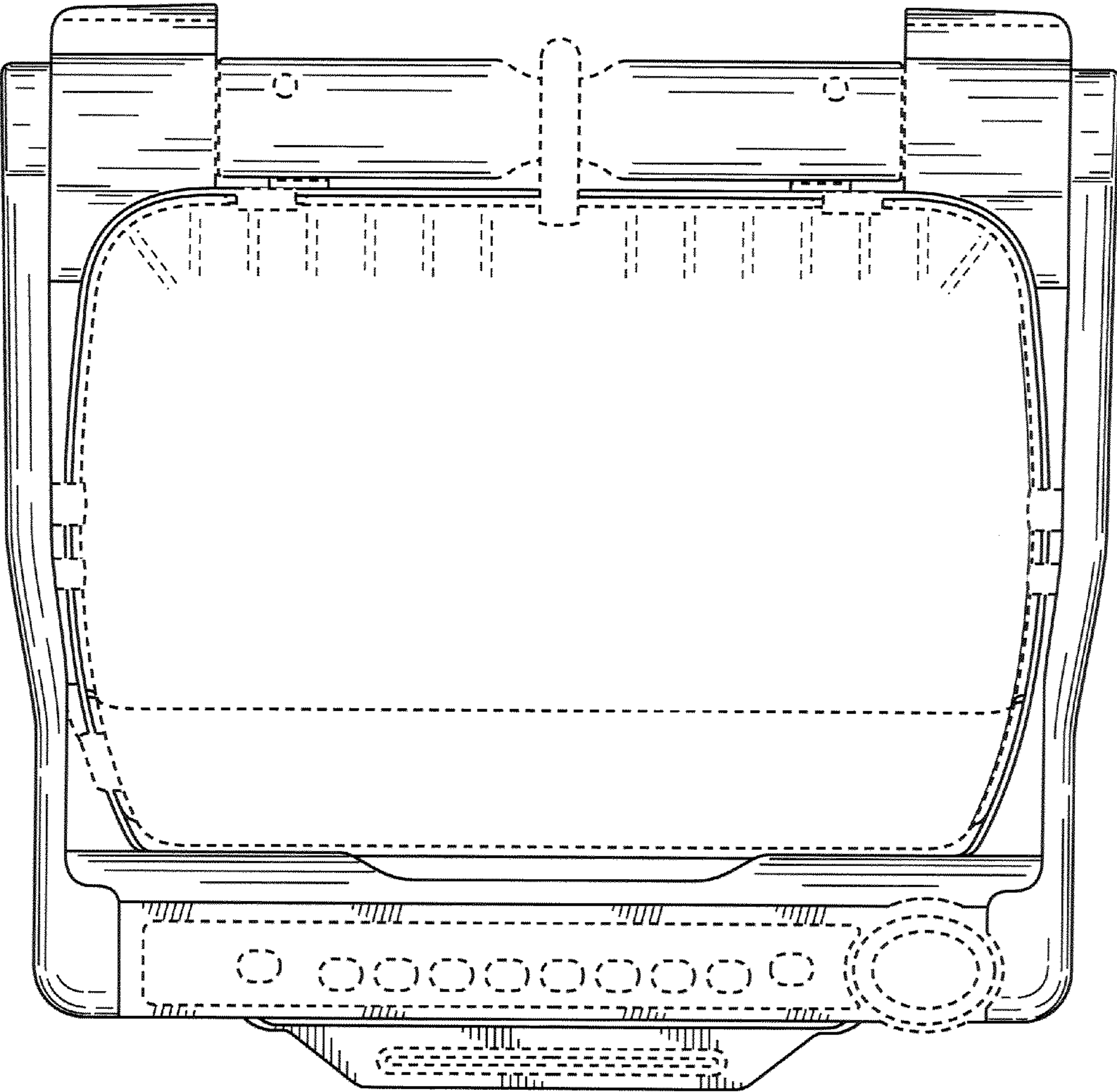


FIG. 5

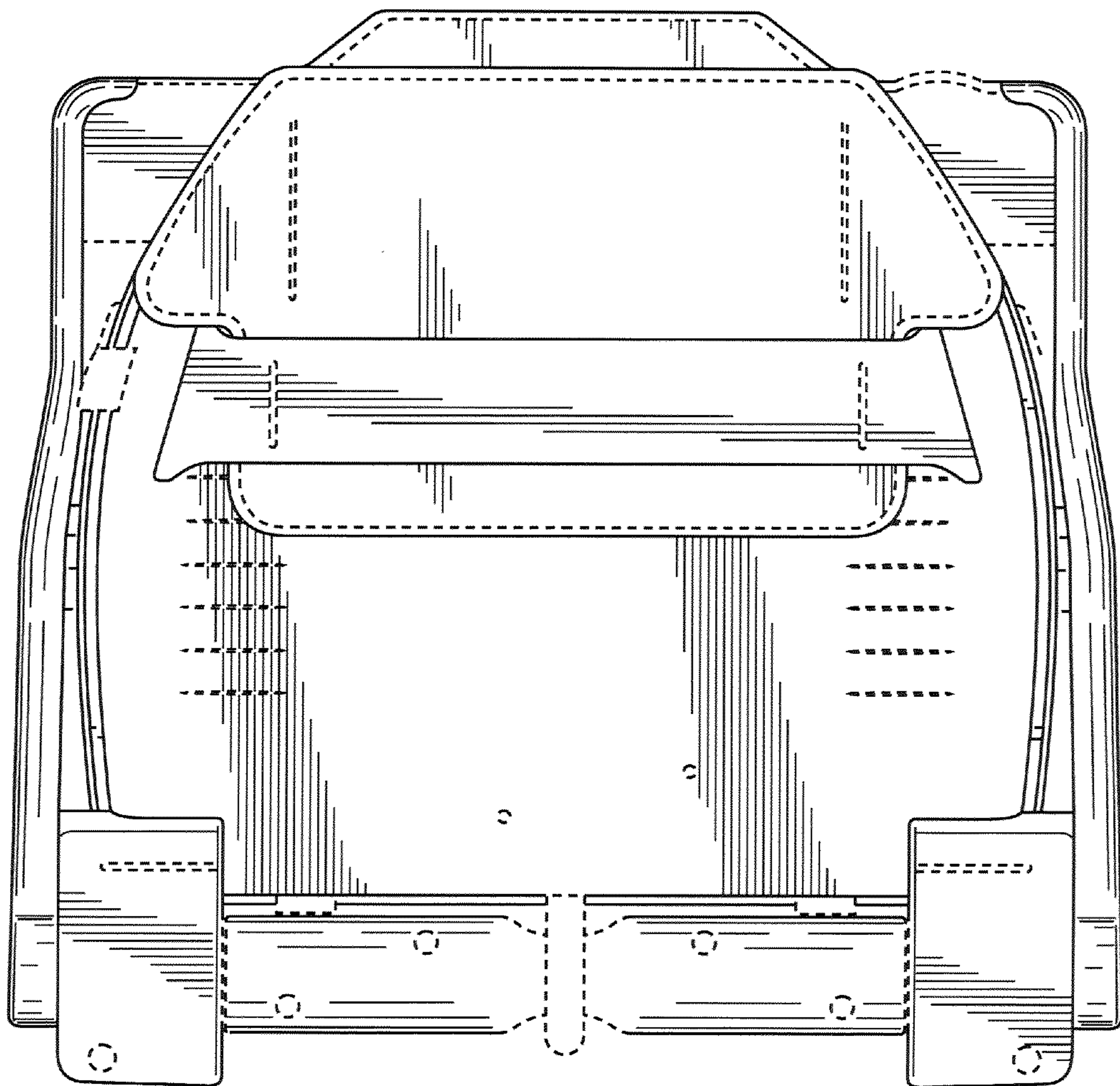


FIG. 6

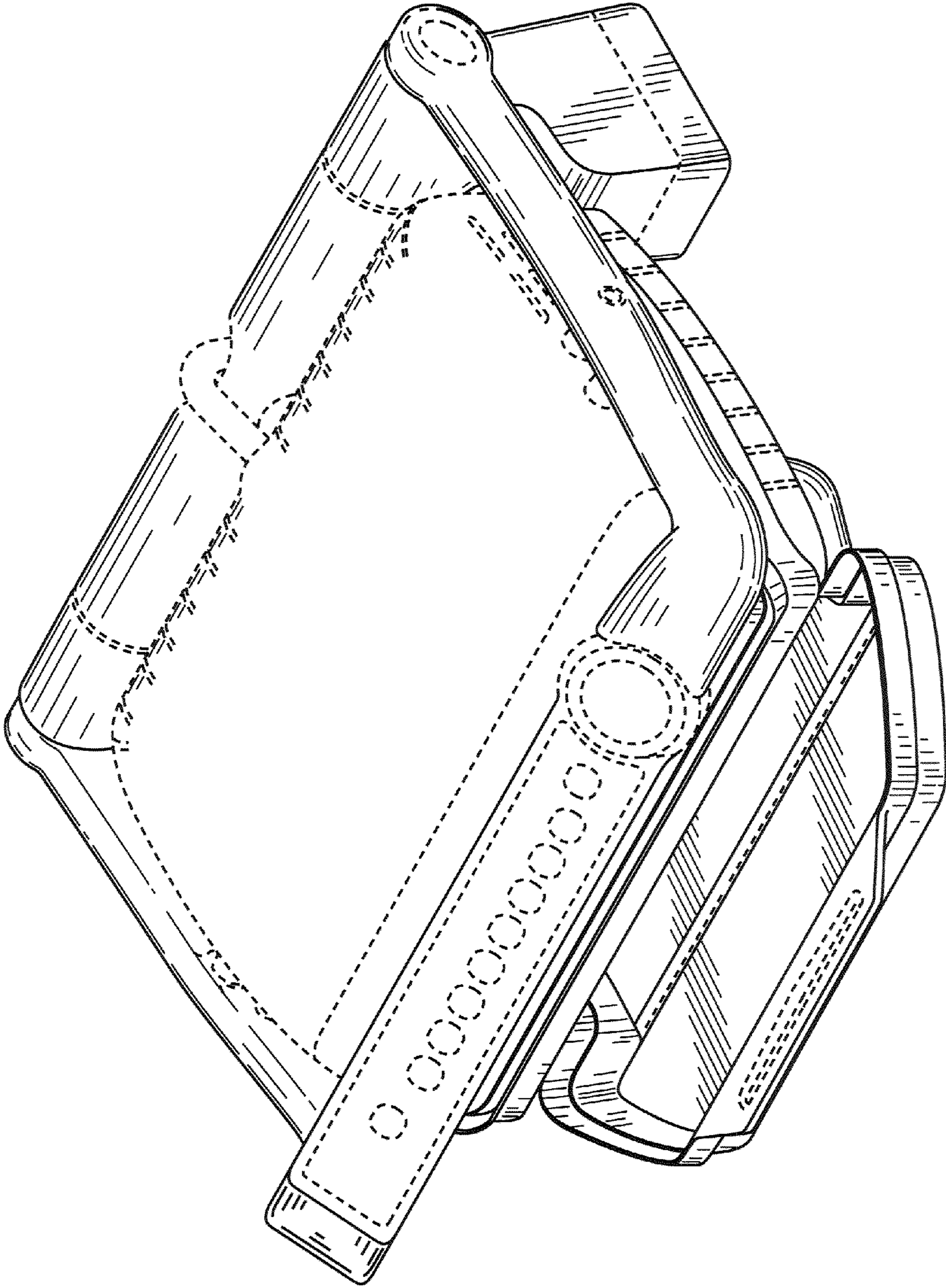


FIG. 7