



US00D697357S

(12) **United States Design Patent**  
**Goecke et al.**

(10) **Patent No.:** **US D697,357 S**  
(45) **Date of Patent:** **\*\* Jan. 14, 2014**

(54) **MODULAR GRILL**

(71) Applicant: **Grillwerk GmbH & Co. KG**, Frankfurt (DE)

(72) Inventors: **Bastian Goecke**, Munich (DE); **Hisham Almannai**, Karlsruhe (DE)

(73) Assignee: **Grillwerk GmbH & Co. KG**, Frankfurt (DE)

(\*\*) Term: **14 Years**

(21) Appl. No.: **29/446,532**

(22) Filed: **Feb. 25, 2013**

**Related U.S. Application Data**

(62) Division of application No. 29/398,407, filed on Jul. 29, 2011, now Pat. No. Des. 681,389.

**Foreign Application Priority Data**

Feb. 1, 2011 (WO) ..... DM/075 222

(51) **LOC (10) Cl.** ..... **07-02**

(52) **U.S. Cl.**  
USPC ..... **D7/334**

(58) **Field of Classification Search**  
USPC ..... D7/332, 334-337, 402-407, 409;  
126/25 R, 25 A, 25 AA, 29-30, 9 R,  
126/37-38, 41 R, 40, 50, 214 R, 307 R, 276,  
126/268; 99/481-482; D6/511; 219/461.1;  
312/100, 236

See application file for complete search history.

(56) **References Cited**

U.S. PATENT DOCUMENTS

|           |    |   |         |                |       |          |
|-----------|----|---|---------|----------------|-------|----------|
| D223,065  | S  | * | 3/1972  | Turner         | ..... | D7/334   |
| D295,136  | S  | * | 4/1988  | Cox, Jr.       | ..... | D7/334   |
| 6,039,039 | A  | * | 3/2000  | Pina, Jr.      | ..... | 126/25 R |
| D430,772  | S  | * | 9/2000  | Ganard         | ..... | D7/334   |
| D456,202  | S  | * | 4/2002  | McNair et al.  | ..... | D7/332   |
| D472,757  | S  | * | 4/2003  | Schulte et al. | ..... | D7/334   |
| 6,640,800 | B1 | * | 11/2003 | Hodgson et al. | ..... | 126/41 R |
| D491,410  | S  | * | 6/2004  | Saunders       | ..... | D7/334   |
| D562,619  | S  | * | 2/2008  | Henley et al.  | ..... | D7/334   |
| D562,628  | S  | * | 2/2008  | Henley et al.  | ..... | D7/402   |
| D636,217  | S  | * | 4/2011  | Slater et al.  | ..... | D7/334   |
| D681,389  | S  | * | 5/2013  | Goecke et al.  | ..... | D7/334   |

\* cited by examiner

*Primary Examiner* — Ruth McInroy

(74) *Attorney, Agent, or Firm* — Hogan Lovells US LLP

(57) **CLAIM**

We claim the ornamental design for a modular grill, as shown and described.

**DESCRIPTION**

FIG. 1 is a front perspective view of a modular grill showing our new design;  
FIG. 2 is a front plan view thereof;  
FIG. 3 is a rear plan view thereof;  
FIG. 4 is a left side plan view thereof;  
FIG. 5 is a right side plan view thereof;  
FIG. 6 is a top plan view thereof; and,  
FIG. 7 is a bottom plan view thereof.

**1 Claim, 6 Drawing Sheets**

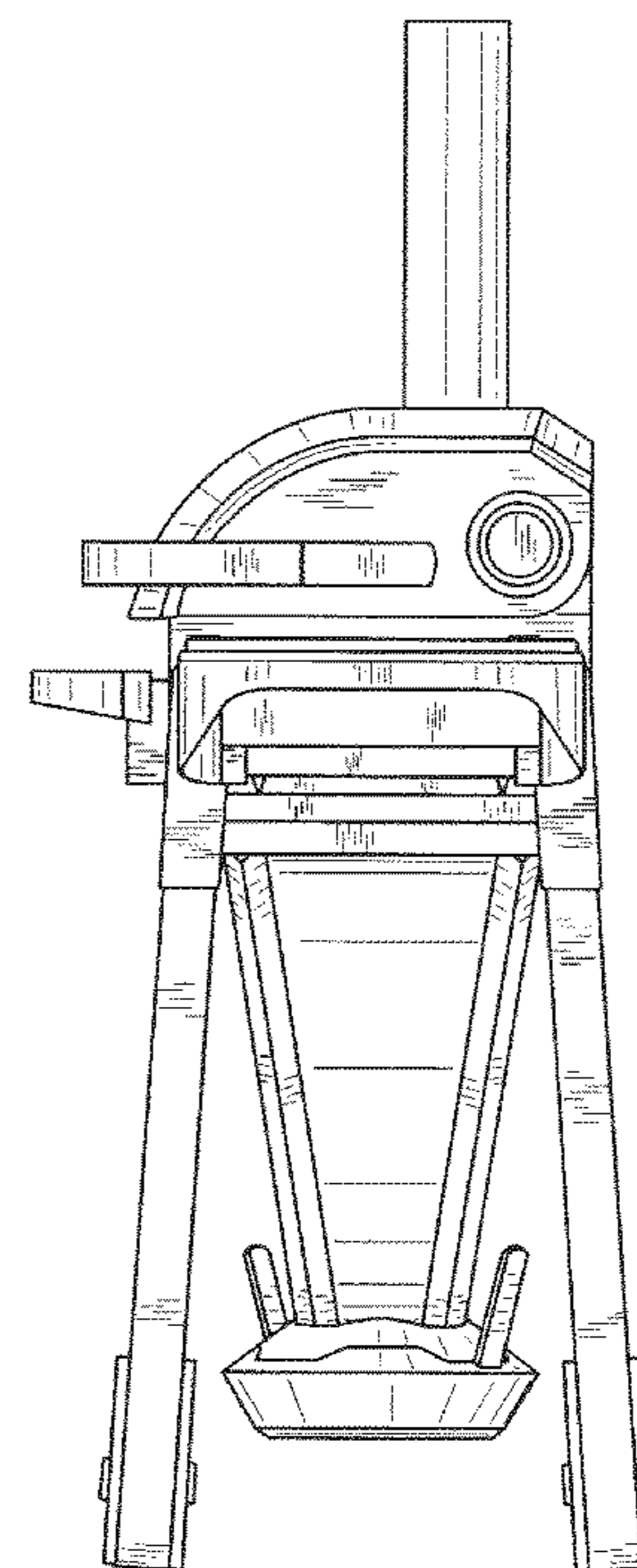
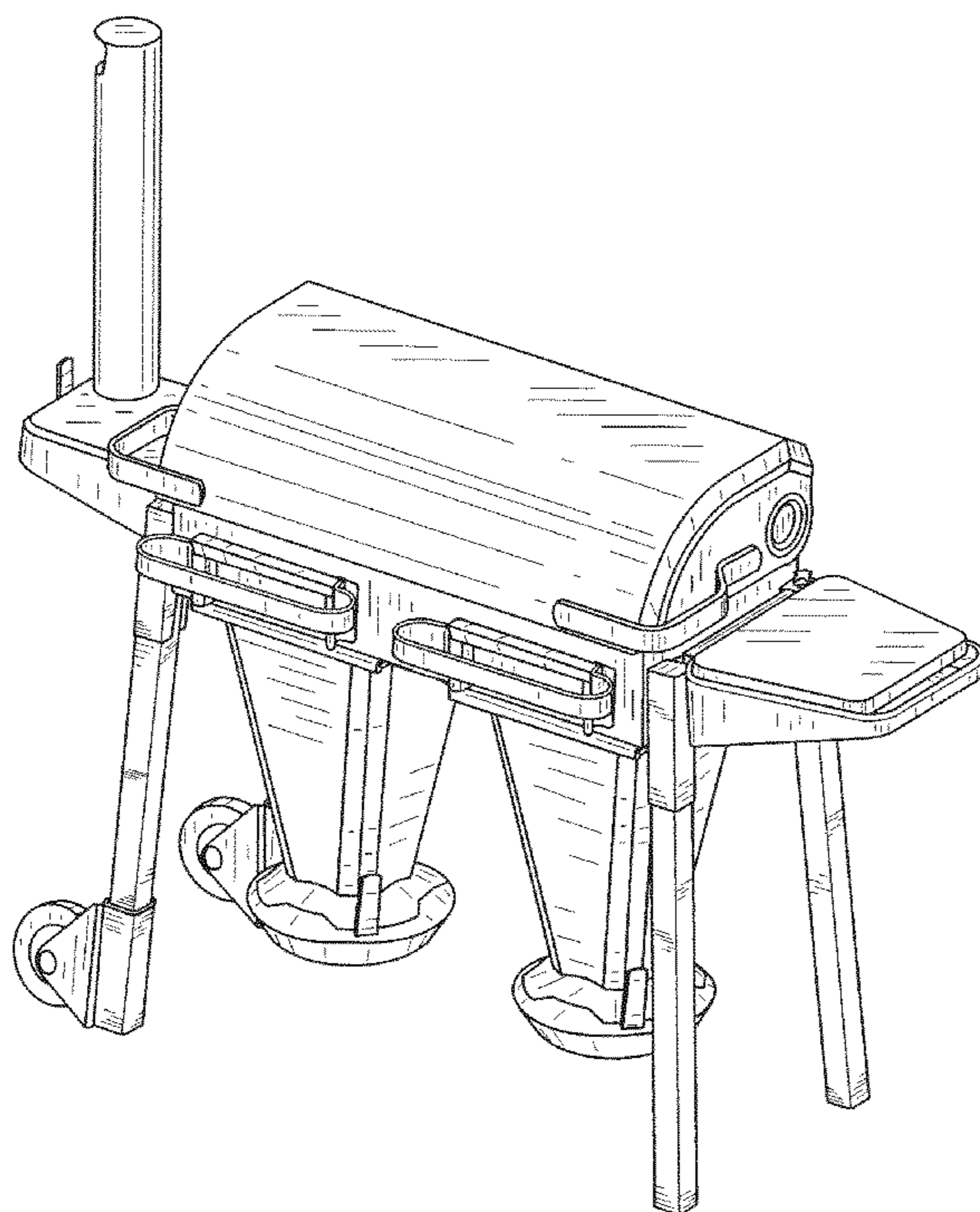
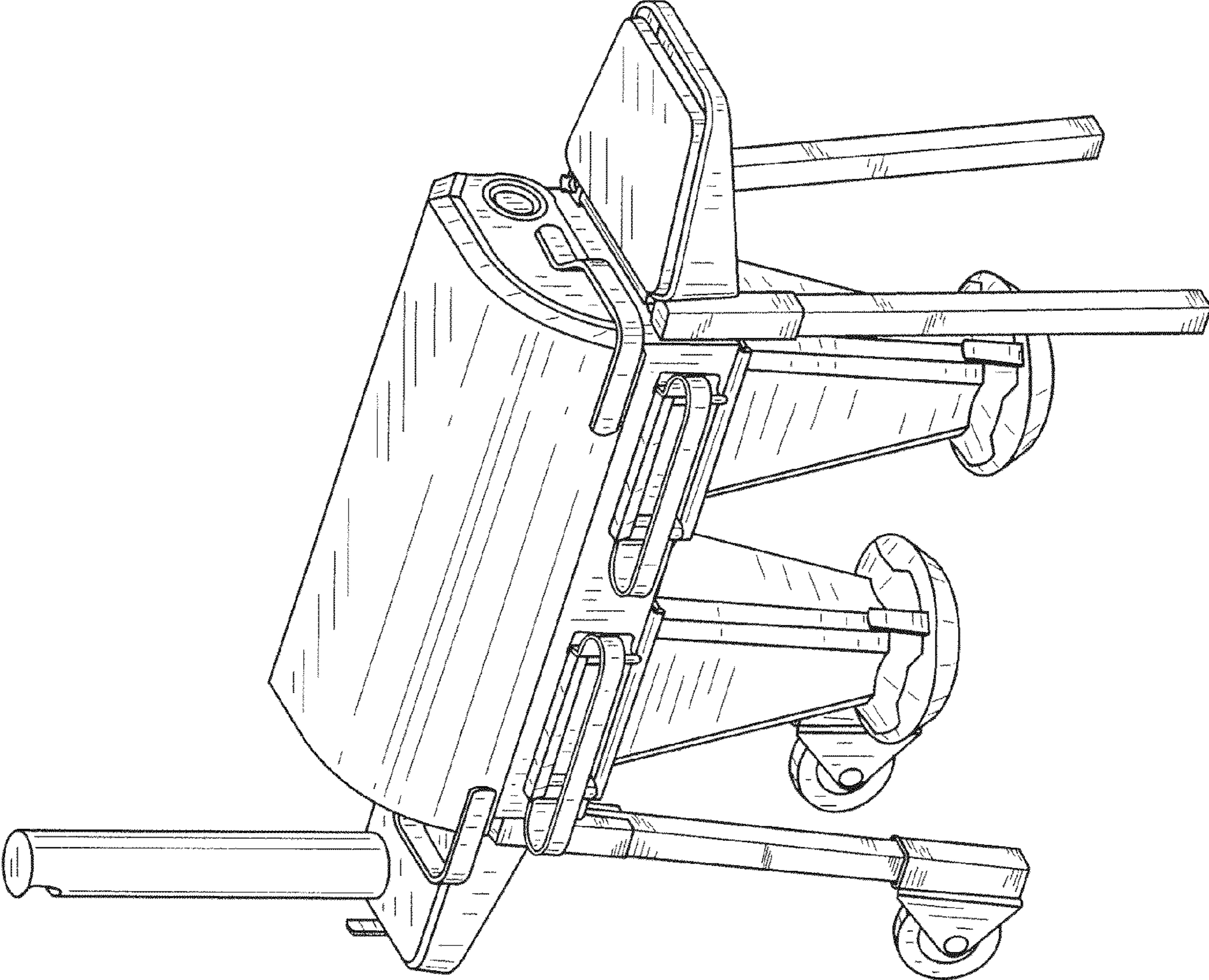


FIG.1





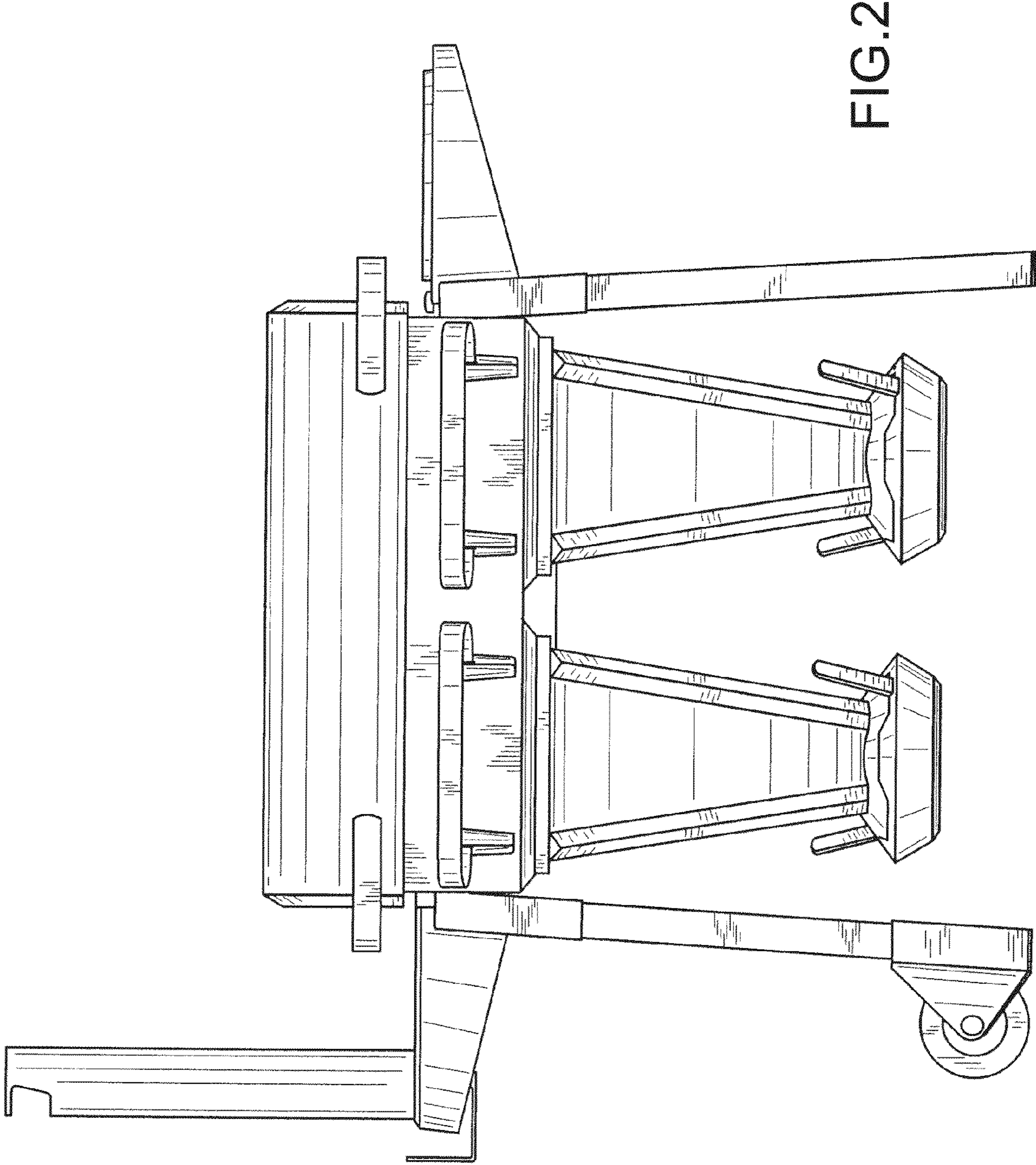
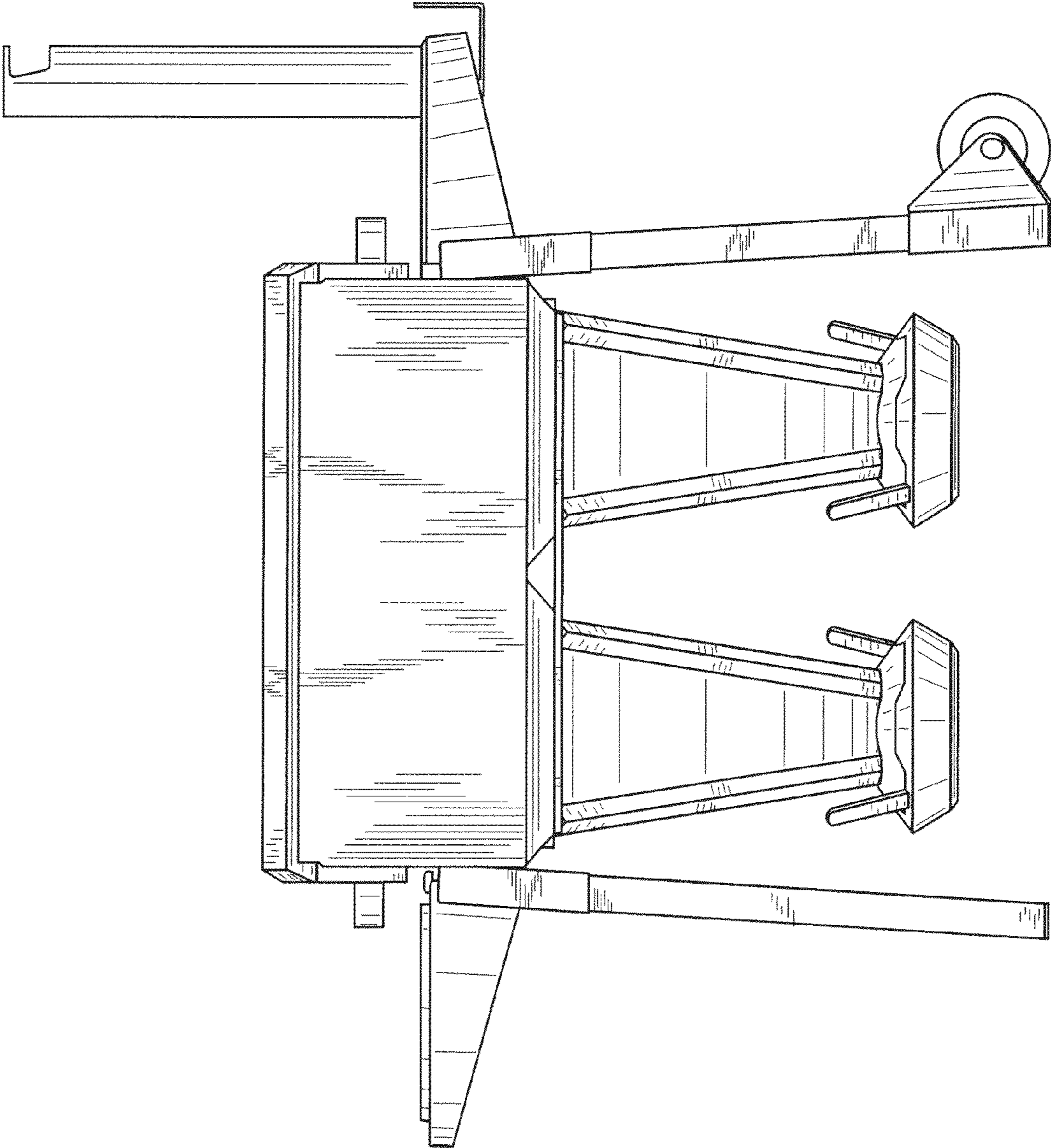


FIG. 2

FIG.3



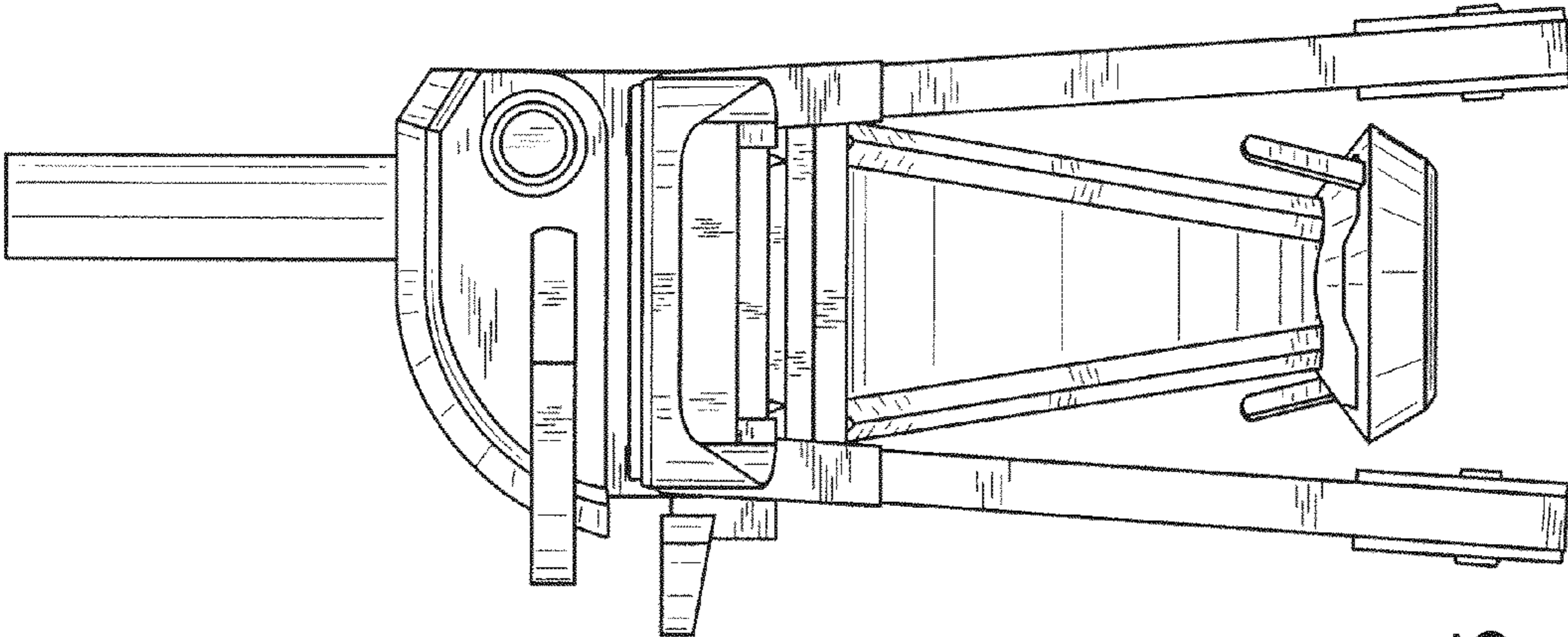


FIG.5

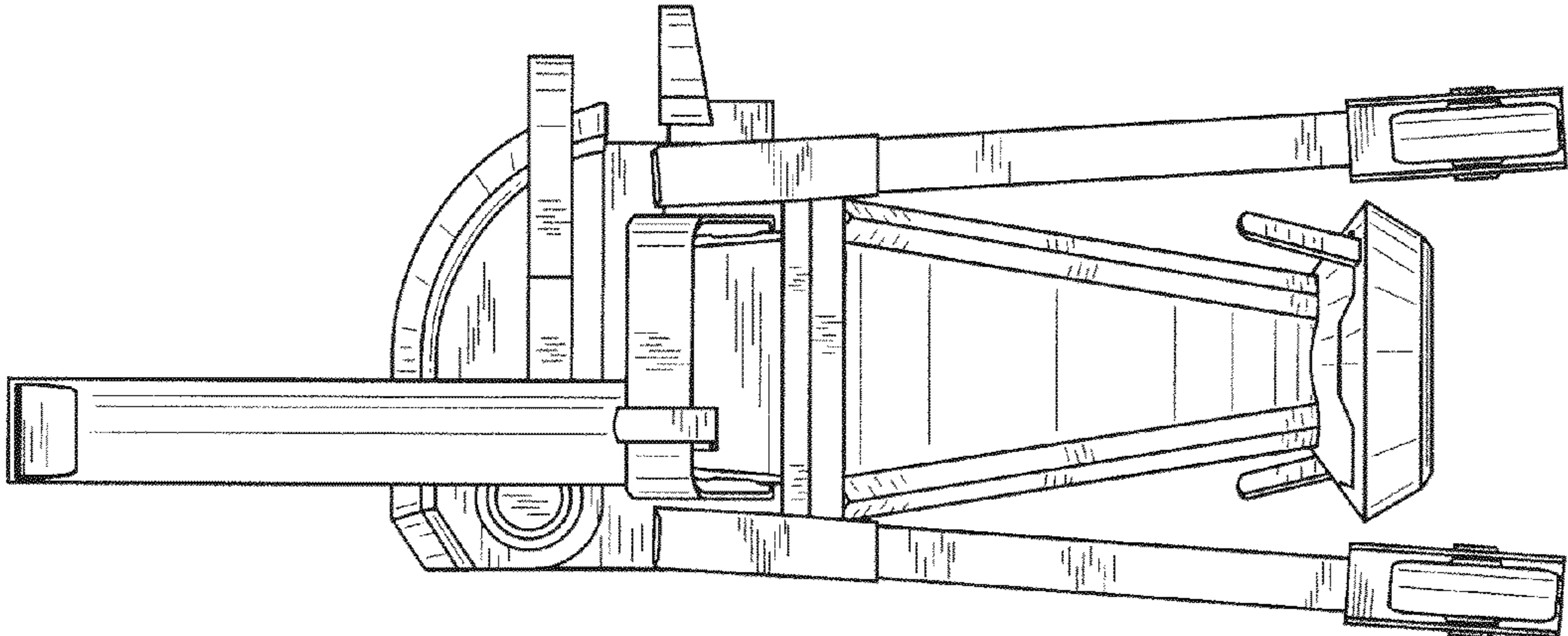


FIG.4



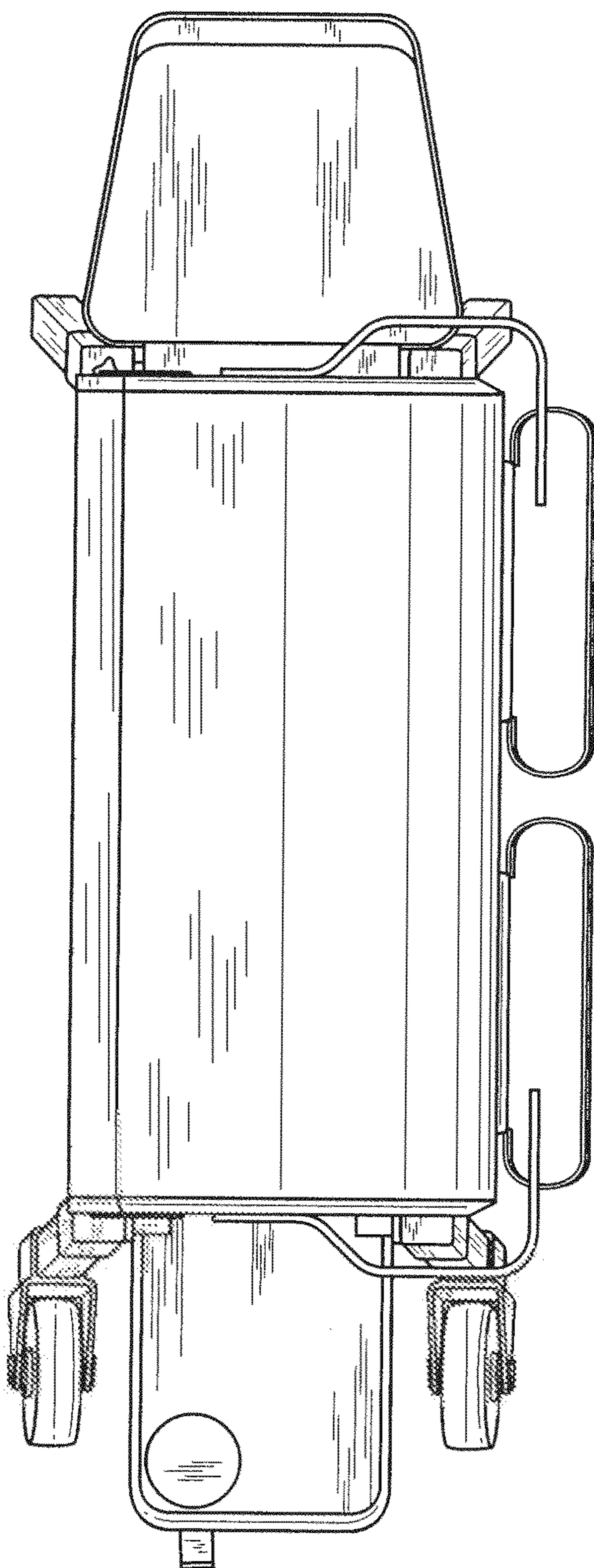


FIG.6

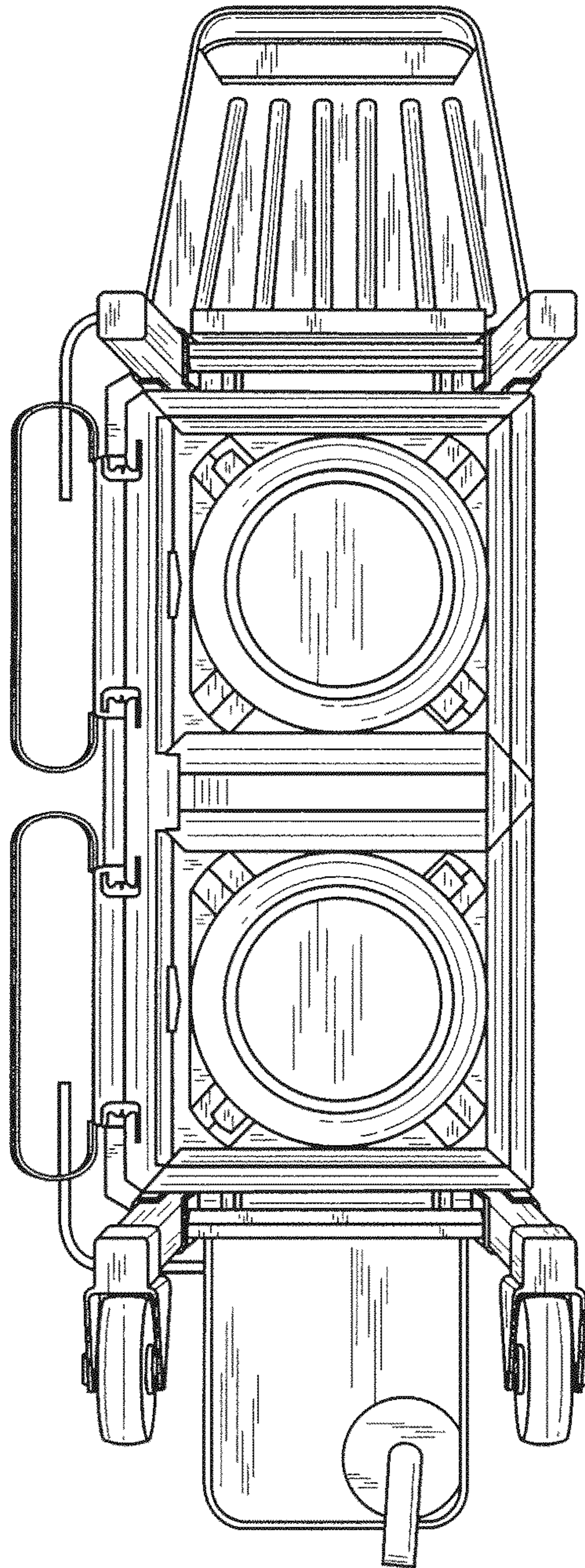


FIG.7